



US00D762823S

(12) **United States Design Patent**
Takahata et al.

(10) **Patent No.:** **US D762,823 S**
(45) **Date of Patent:** **** Aug. 2, 2016**

(54) **FUEL INJECTION PIPE**
(71) Applicant: **Yanmar Co., Ltd.**, Osaka-shi, Osaka (JP)
(72) Inventors: **Terumitsu Takahata**, Osaka (JP); **Hiroko Okita**, Osaka (JP); **Makiko Adachi**, Osaka (JP)
(73) Assignee: **YANMAR CO., LTD.**, Osaka-shi (JP)
(**) Term: **14 Years**

5,033,435 A * 7/1991 Ostarello F02M 55/005
123/468
5,083,545 A * 1/1992 Yamashita F02B 67/00
123/195 R
6,076,507 A * 6/2000 Blizard F02D 33/006
123/198 DB
6,145,493 A * 11/2000 Espey F02M 39/00
123/456
6,189,510 B1 * 2/2001 Jaeger F02M 55/02
123/198 D
6,289,875 B1 * 9/2001 Shinohara F02M 39/005
123/450
6,431,150 B1 * 8/2002 Pearlman F02M 55/005
123/468

(21) Appl. No.: **29/462,939**
(22) Filed: **Aug. 9, 2013**
(30) **Foreign Application Priority Data**

Feb. 14, 2013 (JP) 2013-002867
(51) **LOC (10) Cl.** **23-01**
(52) **U.S. Cl.**
USPC **D23/259**; D15/5
(58) **Field of Classification Search**
USPC D23/259-269, 235, 233; D8/382, 387;
D13/155; D24/129; 285/58, 83;
138/109; 123/468, 447, 458; D15/5
CPC F16L 23/00; F02M 39/00; F02M 55/02;
F02M 37/00; F02M 37/0017
See application file for complete search history.

(56) **References Cited**
U.S. PATENT DOCUMENTS
2,527,615 A * 10/1950 Lansdowne F02M 59/00
123/447
4,168,689 A * 9/1979 Parr F02M 55/00
123/195 C
4,183,334 A * 1/1980 Van Dine F02D 33/00
123/510
4,327,695 A * 5/1982 Schechter F02D 41/40
123/499

(Continued)

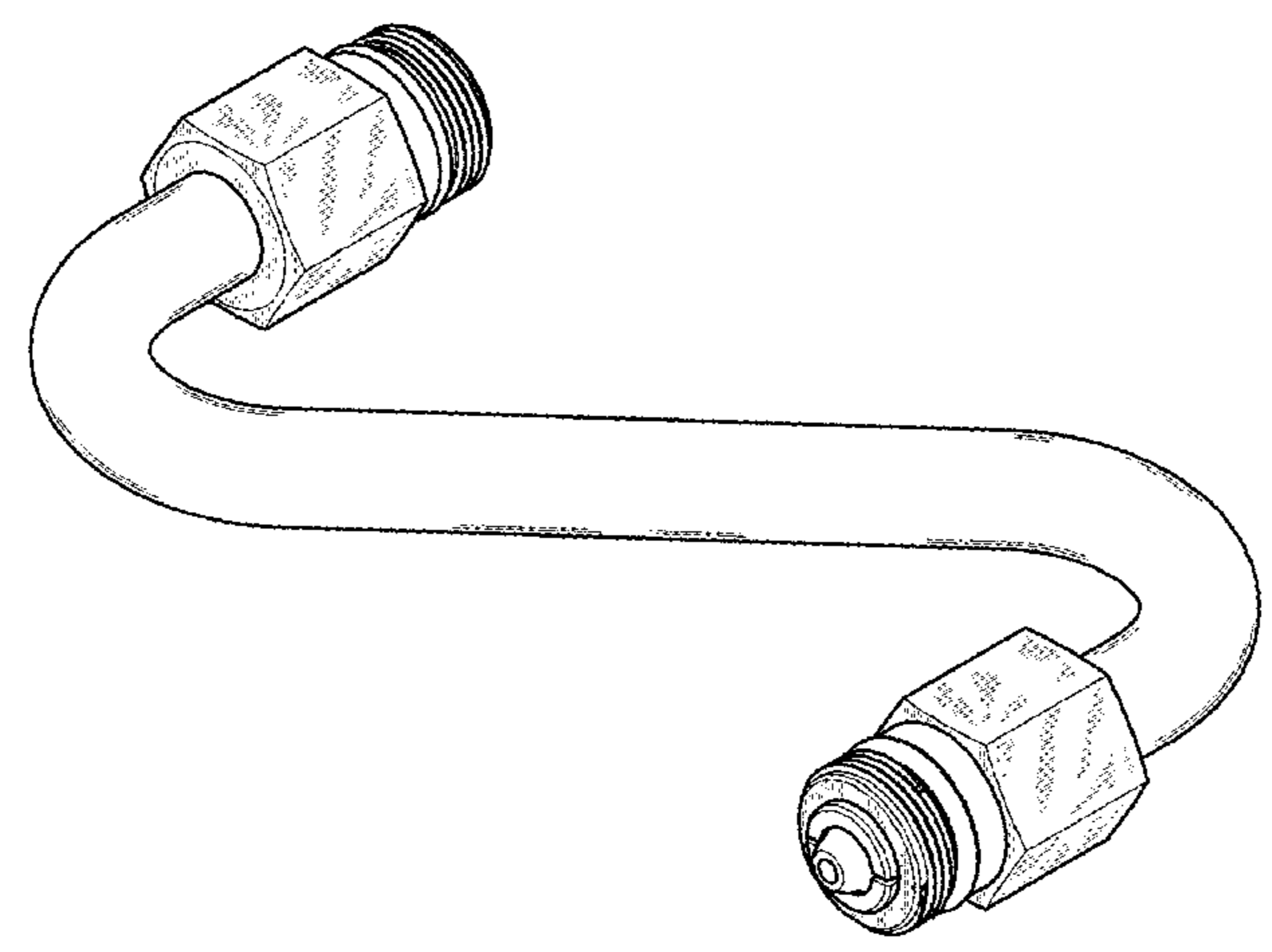
Primary Examiner — T. Chase Nelson
Assistant Examiner — Ania Aman
(74) *Attorney, Agent, or Firm* — Sterne, Kessler, Goldstein & Fox P.L.L.C.

(57) **CLAIM**
The ornamental design for a fuel injection pipe, as shown and described.

DESCRIPTION

FIG. 1 is a perspective view of a fuel injection pipe showing our new design;
FIG. 2 is a front view thereof, the rear view being a mirror image;
FIG. 3 is a right side view thereof, the left side being a mirror image;
FIG. 4 is a top plan view thereof;
FIG. 5 is a bottom view thereof;
FIG. 6 is a cross-sectional view taken along line 6-6 in FIG. 3;
FIG. 7 is another perspective view showing an alternate position with the interior element pulled out; and,
FIG. 8 is a perspective view showing a fuel injection pipe of the present invention in an environment in which it may be used.
In FIG. 8, the broken lines depict environmental subject matter only that forms no part of the claimed design.

1 Claim, 8 Drawing Sheets



(56)

References Cited

U.S. PATENT DOCUMENTS

D482,761 S *	11/2003	Gotoh	D23/233
7,264,021 B1 *	9/2007	Daikai	B29C 57/04 138/123
D730,495 S *	5/2015	Umehara	D23/262
D731,626 S *	6/2015	Umehara	D23/262
2004/0200457 A1 *	10/2004	Gottemoller	F02M 55/002 123/468
2006/0118195 A1 *	6/2006	Arima	B29C 57/04 138/126
2006/0254563 A1 *	11/2006	Keegan	F02M 55/02 123/456
2007/0246016 A1 *	10/2007	Scheffel	F02M 55/005 123/470
2008/0121303 A1 *	5/2008	Leggitt	F16L 11/10 138/109
2008/0271709 A1 *	11/2008	Dingle	F02D 15/04 123/447
2009/0031992 A1 *	2/2009	Lysinger	F02M 55/02 123/470
2009/0159049 A1 *	6/2009	Sakagami	F02M 61/14 123/456

2009/0179421 A1 *	7/2009	Stieler	F02M 55/004 285/148.19
2010/0071663 A1 *	3/2010	Patel	F02C 7/222 123/456
2010/0170476 A1 *	7/2010	Ganser	F02M 55/025 123/447
2010/0186829 A1 *	7/2010	Guerineau	F02M 55/002 137/312
2012/0017875 A1 *	1/2012	Ishiki	F02M 55/02 123/468
2012/0024411 A1 *	2/2012	Hahn	B01D 15/22 138/109
2012/0210980 A1 *	8/2012	Bedekar	F02M 55/004 123/456
2013/0133622 A1 *	5/2013	Ishiki	F02M 55/02 123/456
2013/0175795 A1 *	7/2013	Taylor	F02M 37/0017 285/45
2014/0261839 A1 *	9/2014	Pelletier	F16L 11/22 138/109
2014/0360469 A1 *	12/2014	Ganser	F02M 55/001 123/445

* cited by examiner

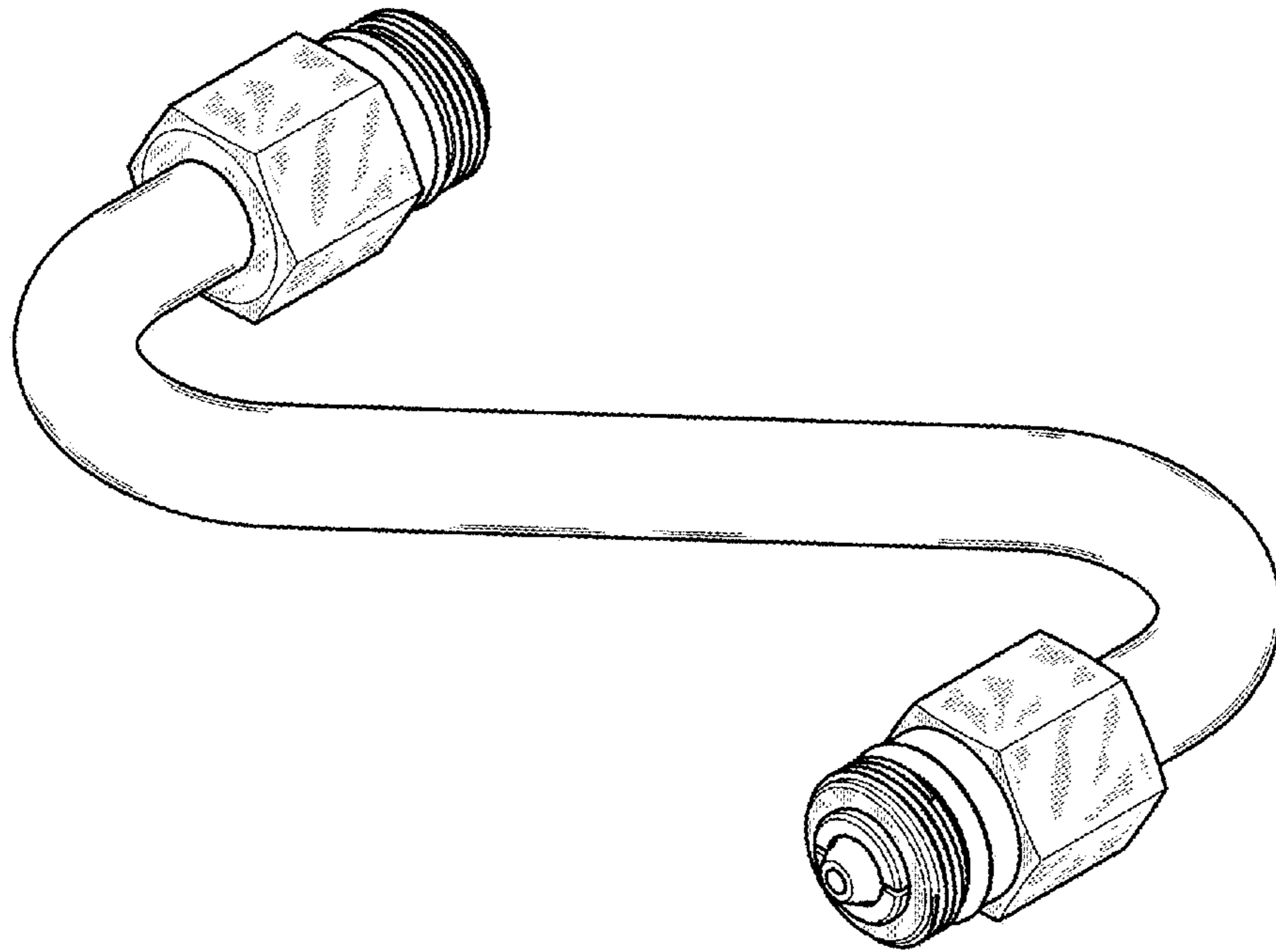


FIG. 1

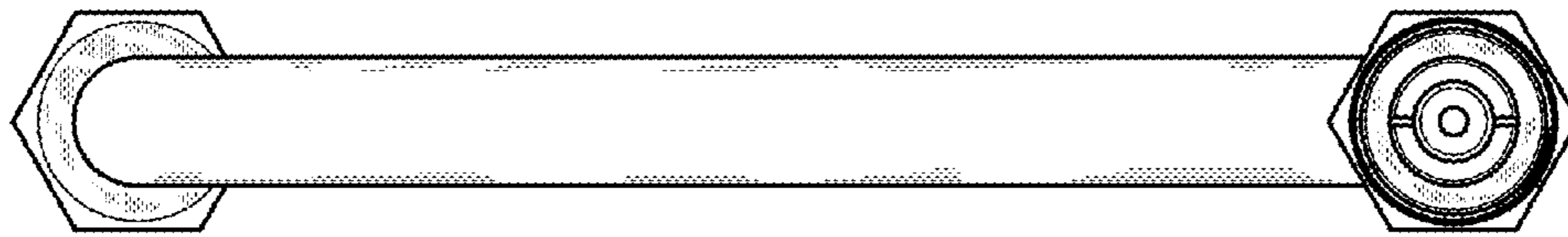


FIG. 2



FIG. 3

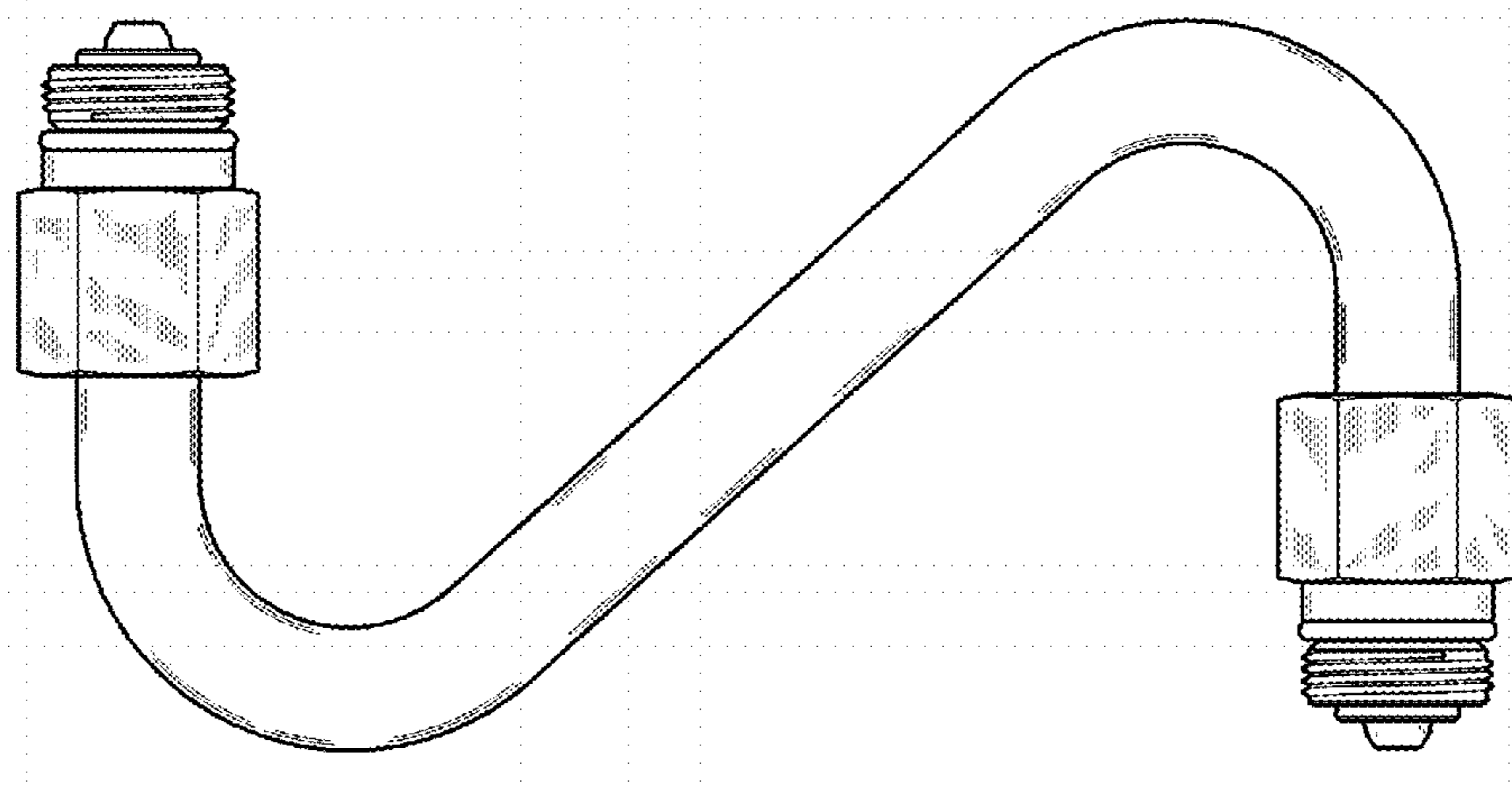


FIG. 4

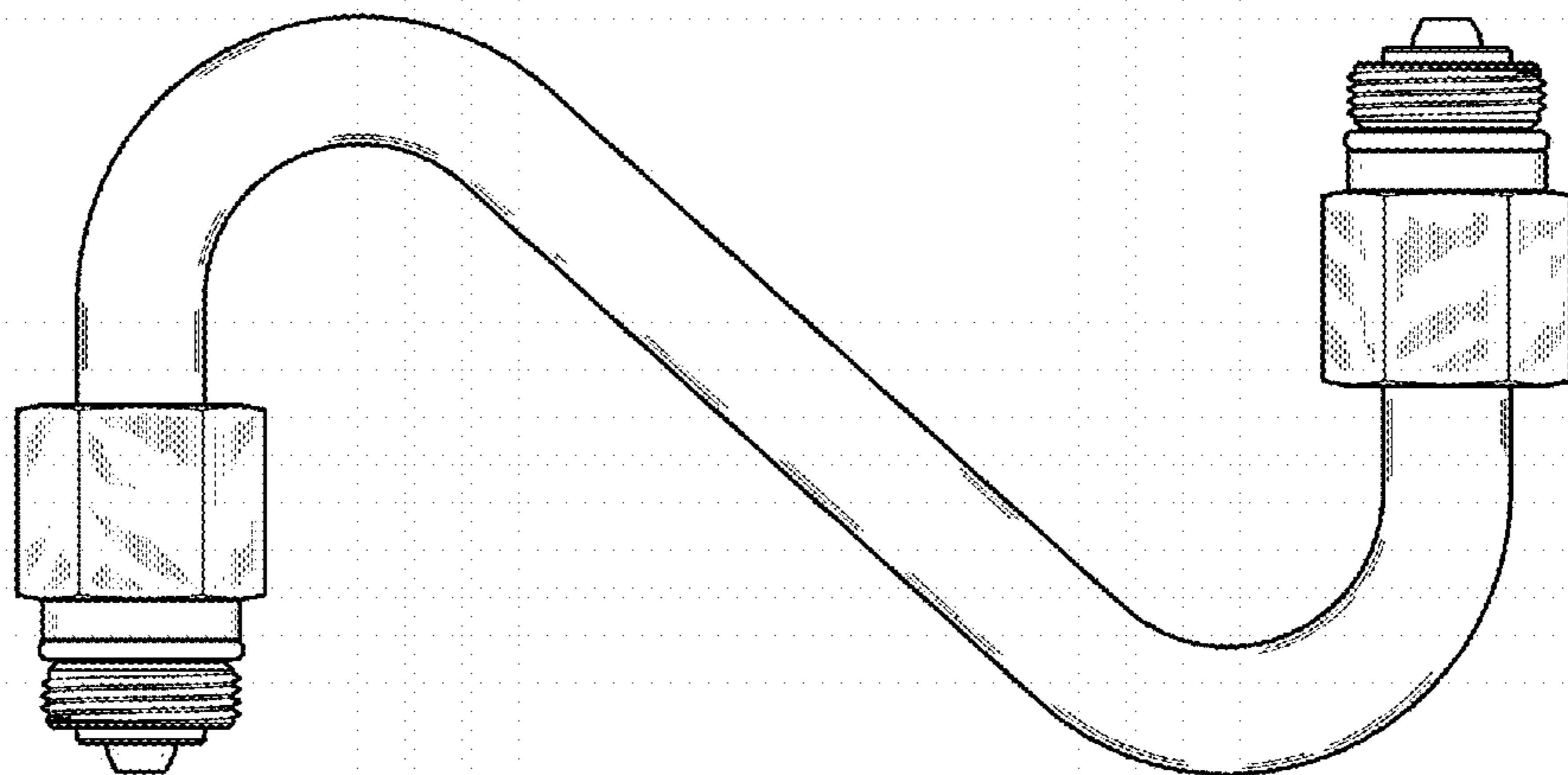


FIG. 5

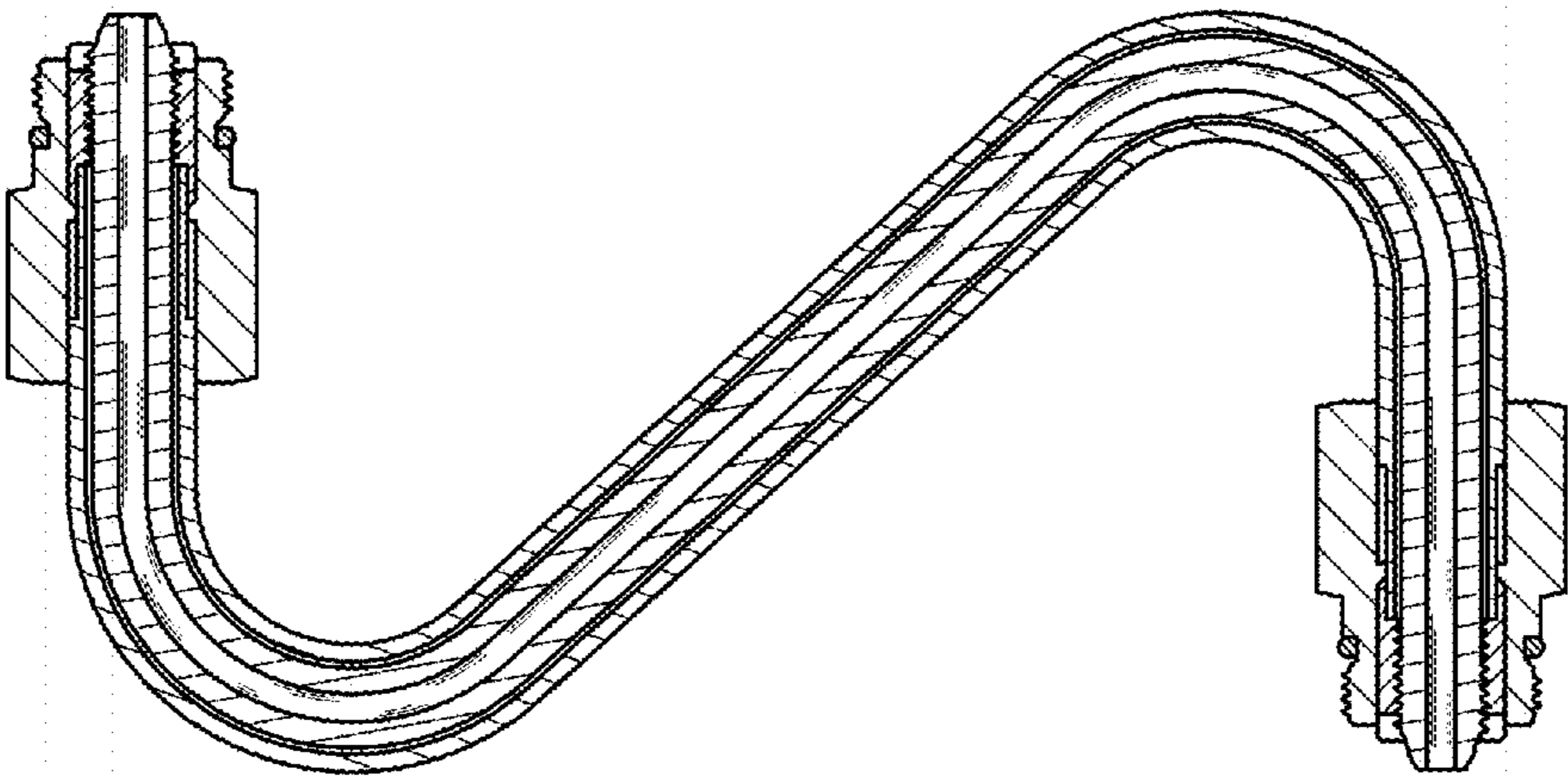


FIG. 6

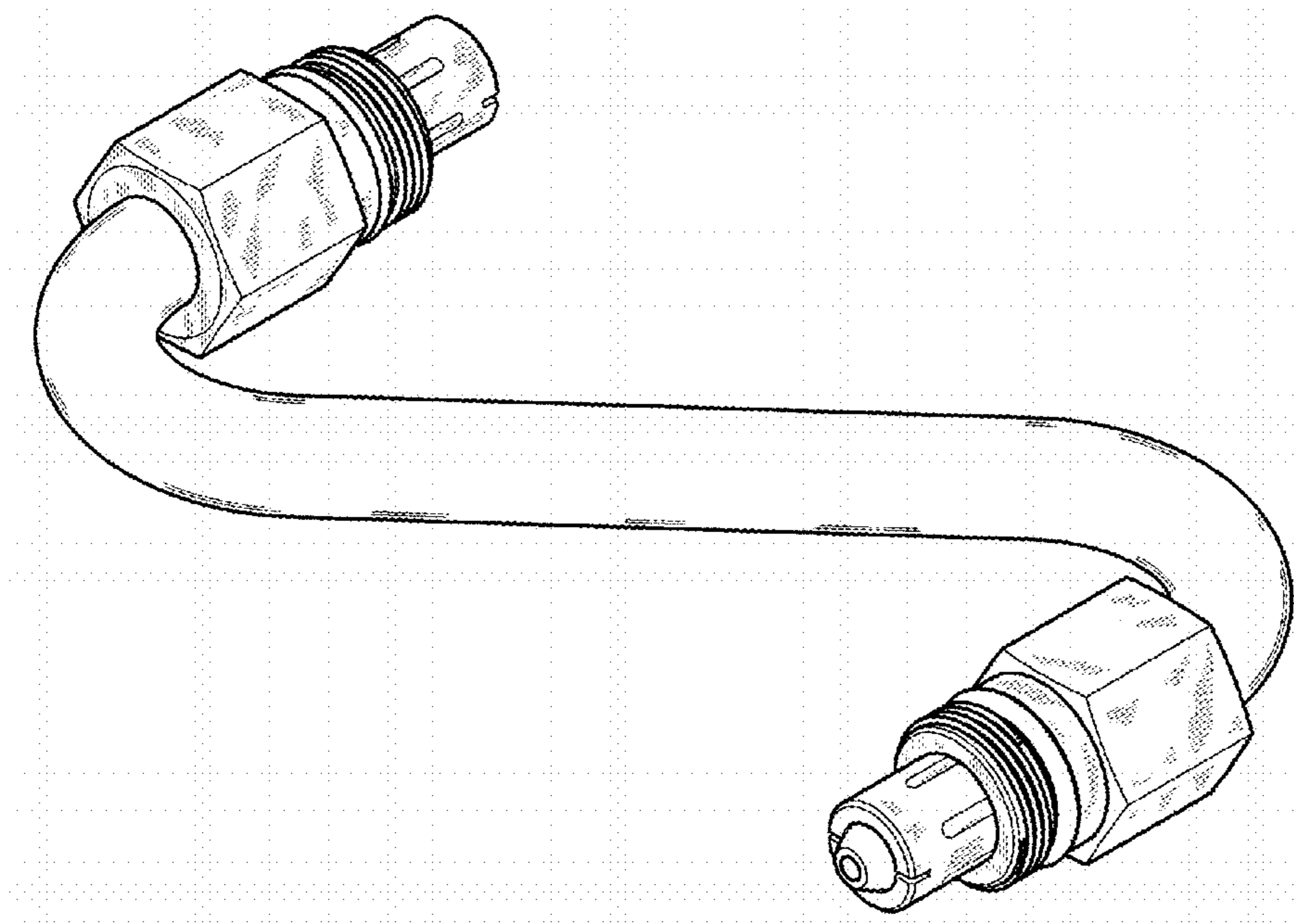


FIG. 7

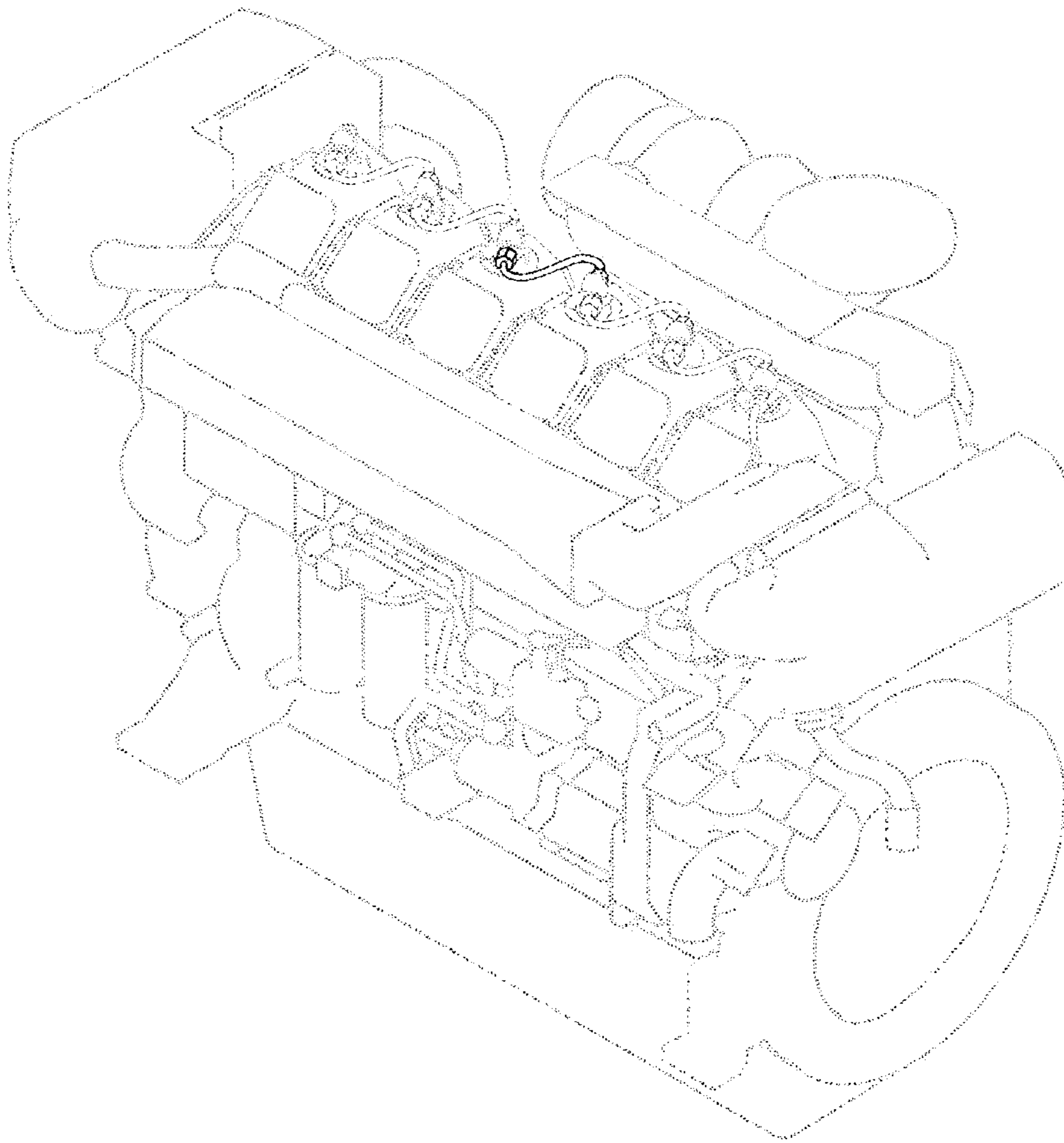


FIG. 8