



US00D762822S

(12) **United States Design Patent**  
**Flowers et al.**

(10) **Patent No.:** **US D762,822 S**  
(45) **Date of Patent:** **\*\* Aug. 2, 2016**

(54) **DIVERTER**

D408,502 S \* 4/1999 Lobermeier ..... D23/238  
D444,852 S \* 7/2001 Fleischmann ..... D23/252  
D473,632 S \* 4/2003 Marshall ..... D23/254

(71) Applicant: **Grohe AG**, Hemer (DE)

\* cited by examiner

(72) Inventors: **Paul Flowers**, London (GB); **Antoine Besseyre Des Horts**, Meerbusch (DE)

*Primary Examiner* — Robert Delehanty

(73) Assignee: **Grohe AG**, Hemer (DE)

(74) *Attorney, Agent, or Firm* — Muncy, Geissler, Olds & Lowe, P.C.

(\*\*) Term: **15 Years**

(21) Appl. No.: **29/538,762**

(22) Filed: **Sep. 8, 2015**

(57) **CLAIM**

The ornamental design for a diverter, as shown and described.

(30) **Foreign Application Priority Data**

Mar. 9, 2015 (EM) ..... 002648758-0016

**DESCRIPTION**

(51) **LOC (10) Cl.** ..... **23-02**

(52) **U.S. Cl.**  
USPC ..... **D23/252**

(58) **Field of Classification Search**  
USPC ..... D23/238, 241–243, 249, 250, 252  
CPC ..... E03C 1/04; E03C 1/0401; E03C 1/0402;  
E03C 1/0404  
See application file for complete search history.

FIG. 1 is a front perspective view of a diverter according to the present invention.

FIG. 2 is a left side view of the diverter of FIG. 1.

FIG. 3 is a right side view of the diverter of FIG. 1.

FIG. 4 is a top view of the diverter of FIG. 1.

FIG. 5 is a bottom view of the diverter of FIG. 1.

FIG. 6 is a front view of the diverter of FIG. 1; and,

FIG. 7 is a rear view of the diverter of FIG. 1.

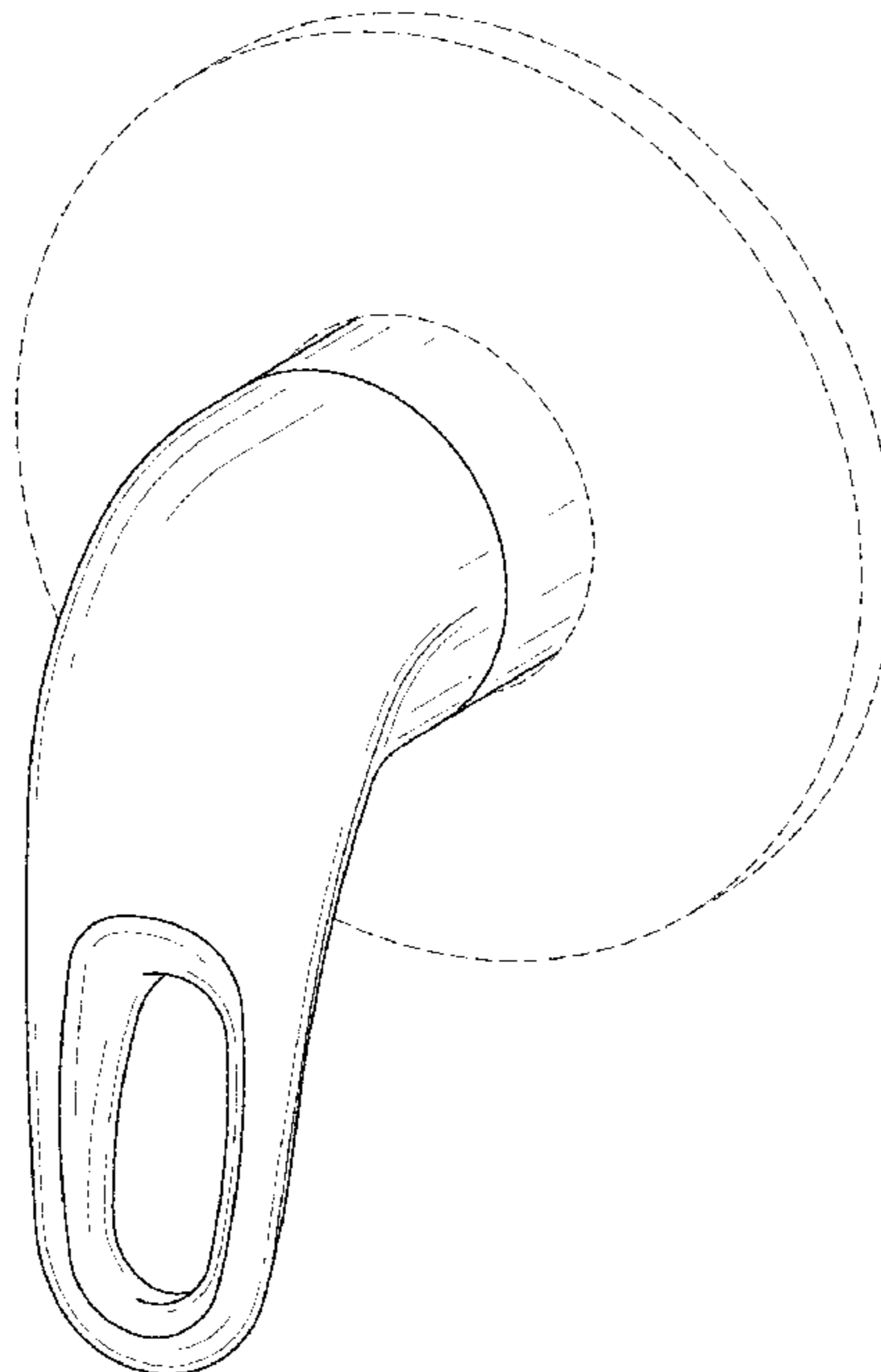
The dashed lines illustrate environment that does not form a part of the present invention, and no claim is made to the material illustrated with dashed lines.

(56) **References Cited**

**U.S. PATENT DOCUMENTS**

D357,060 S \* 4/1995 Haug ..... D23/252  
D393,052 S \* 3/1998 Lobermeier ..... D23/250

**1 Claim, 7 Drawing Sheets**



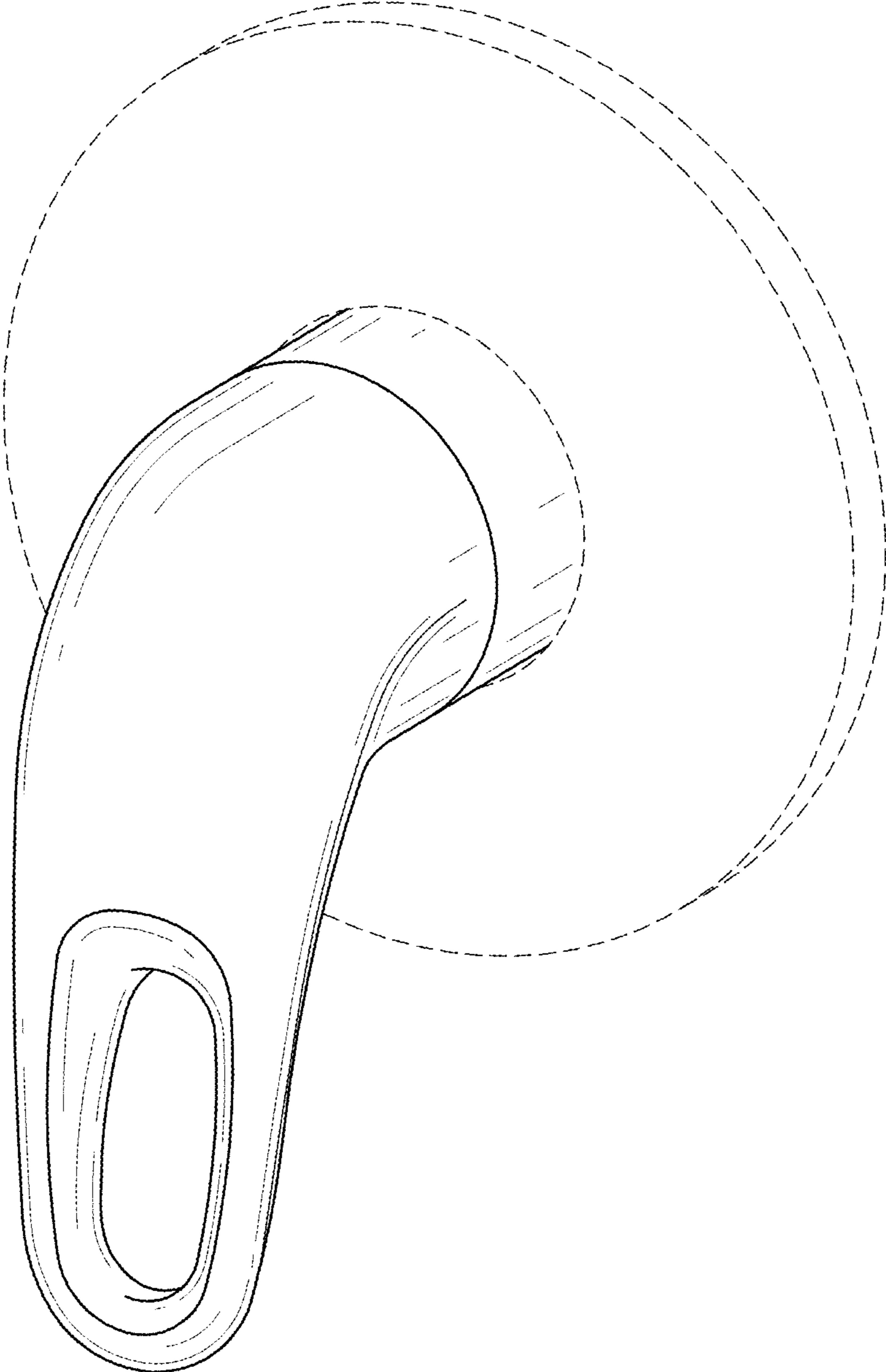


FIG.1

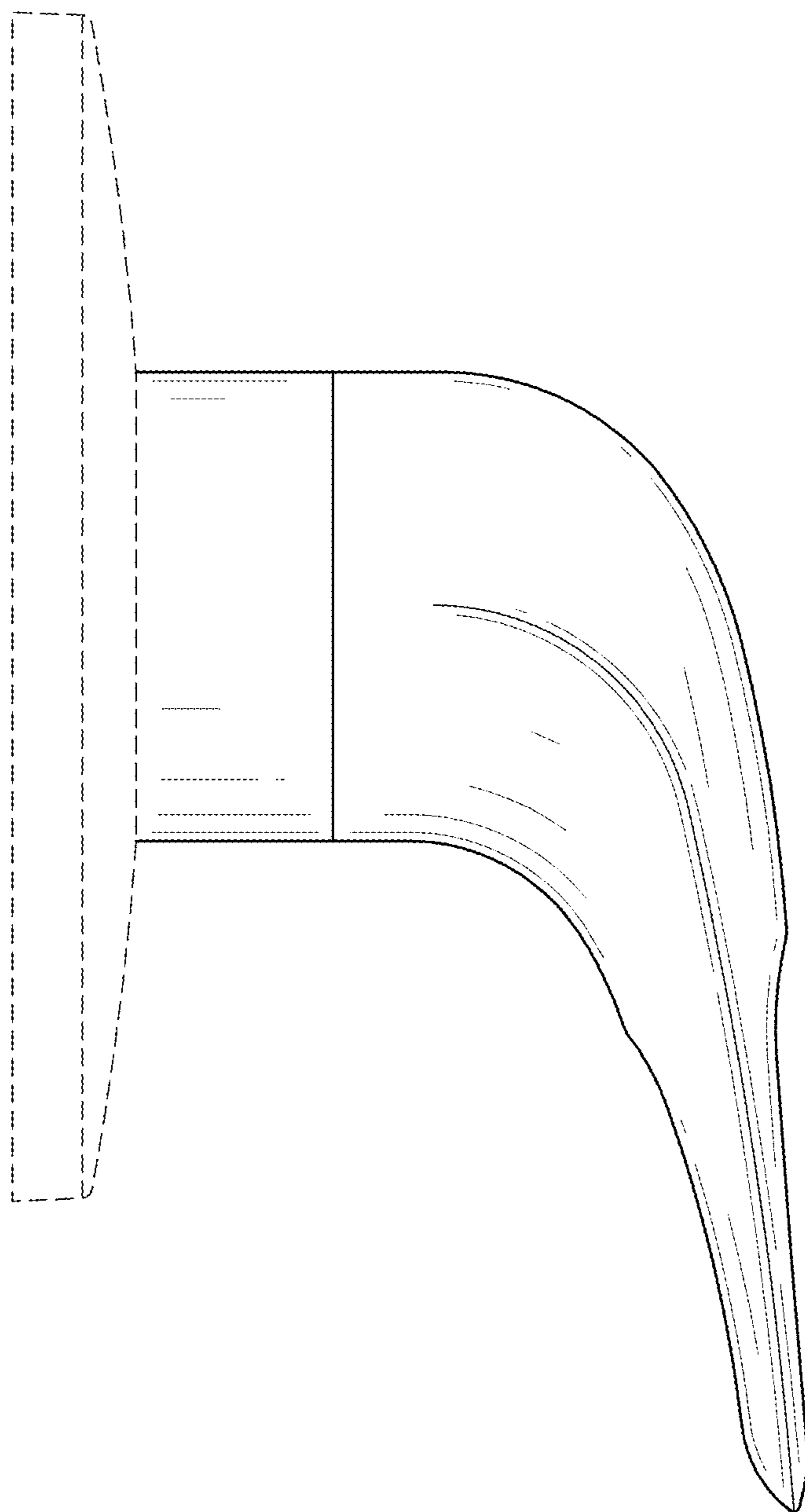


FIG.2

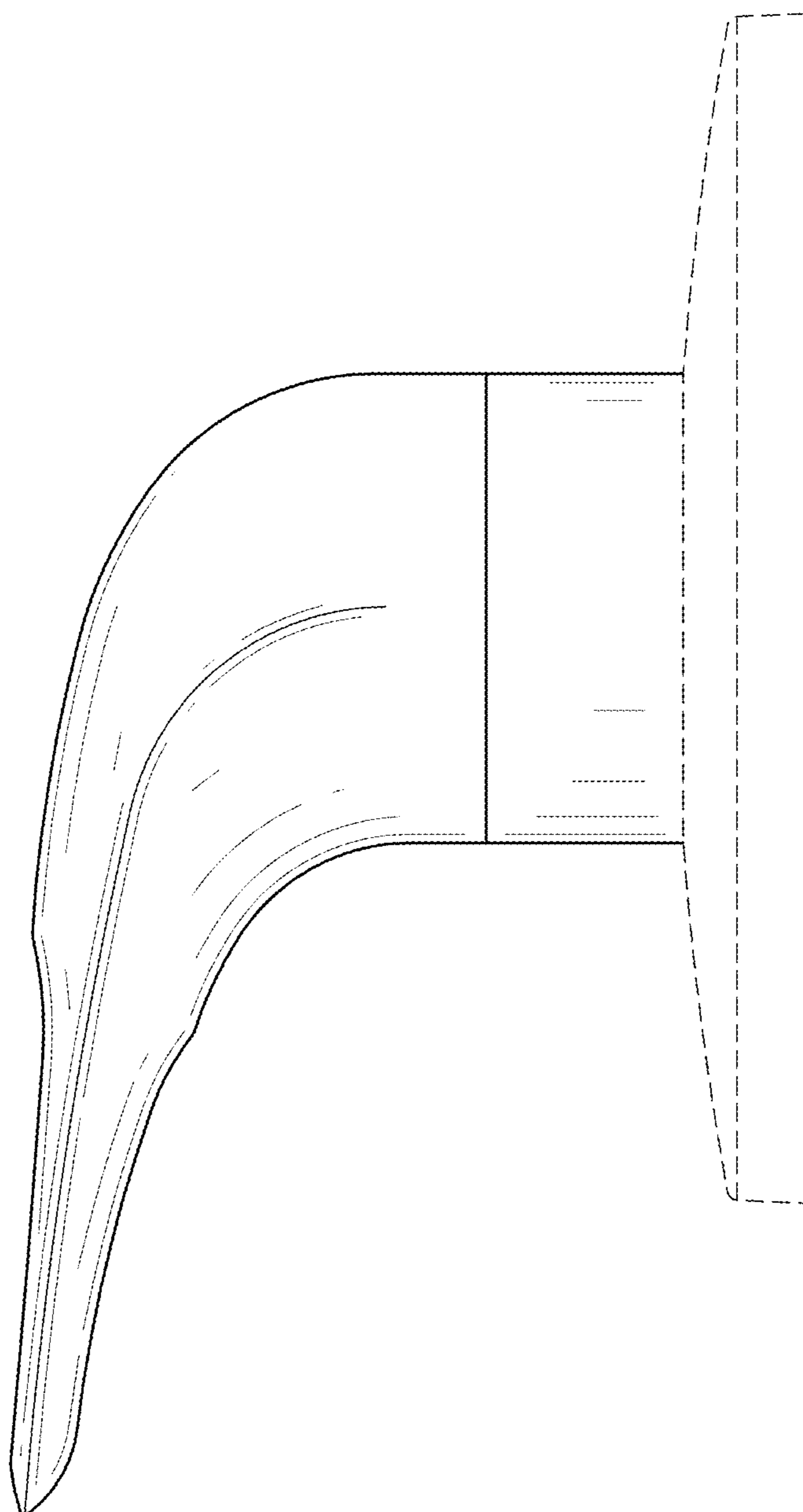


FIG.3

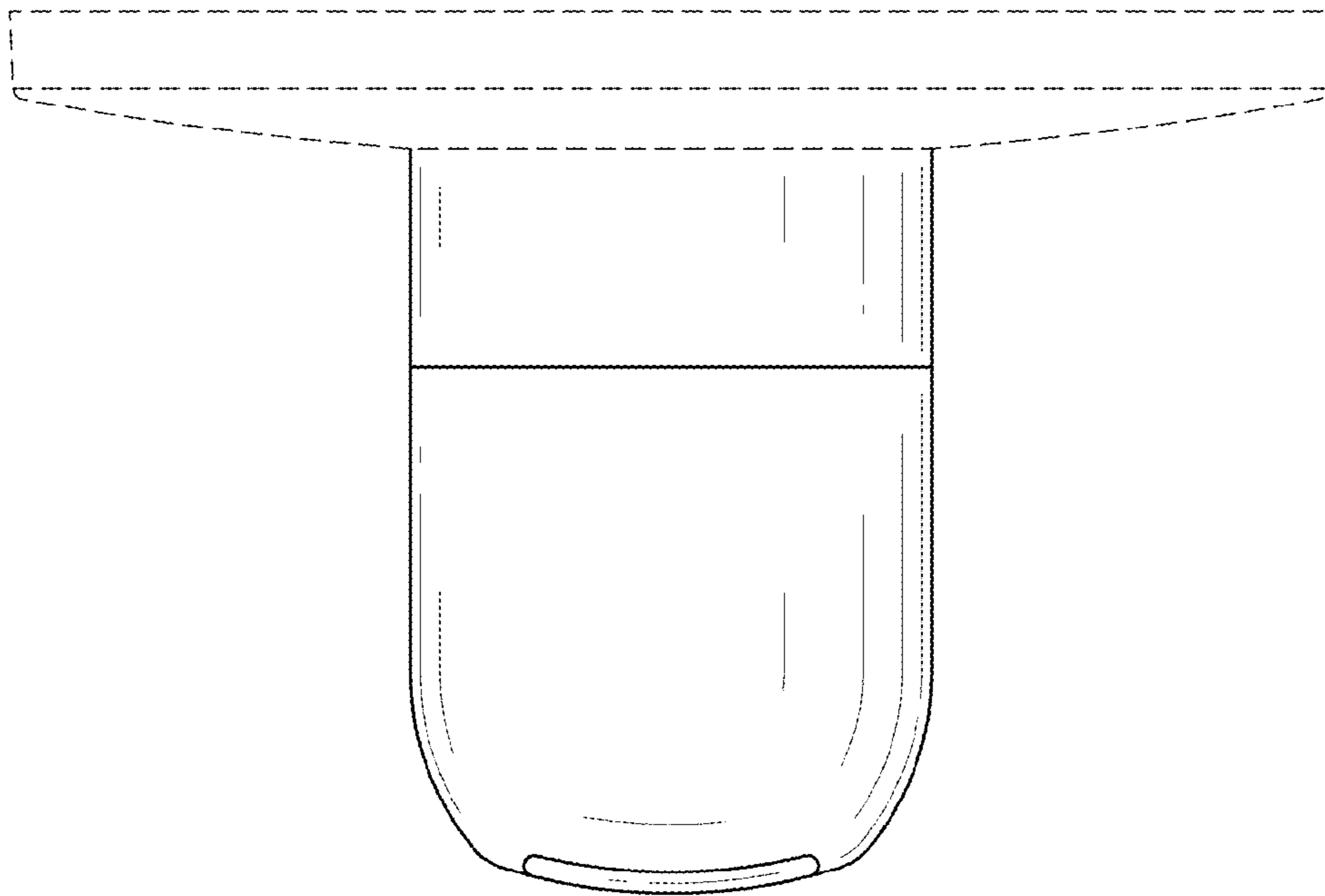


FIG.4

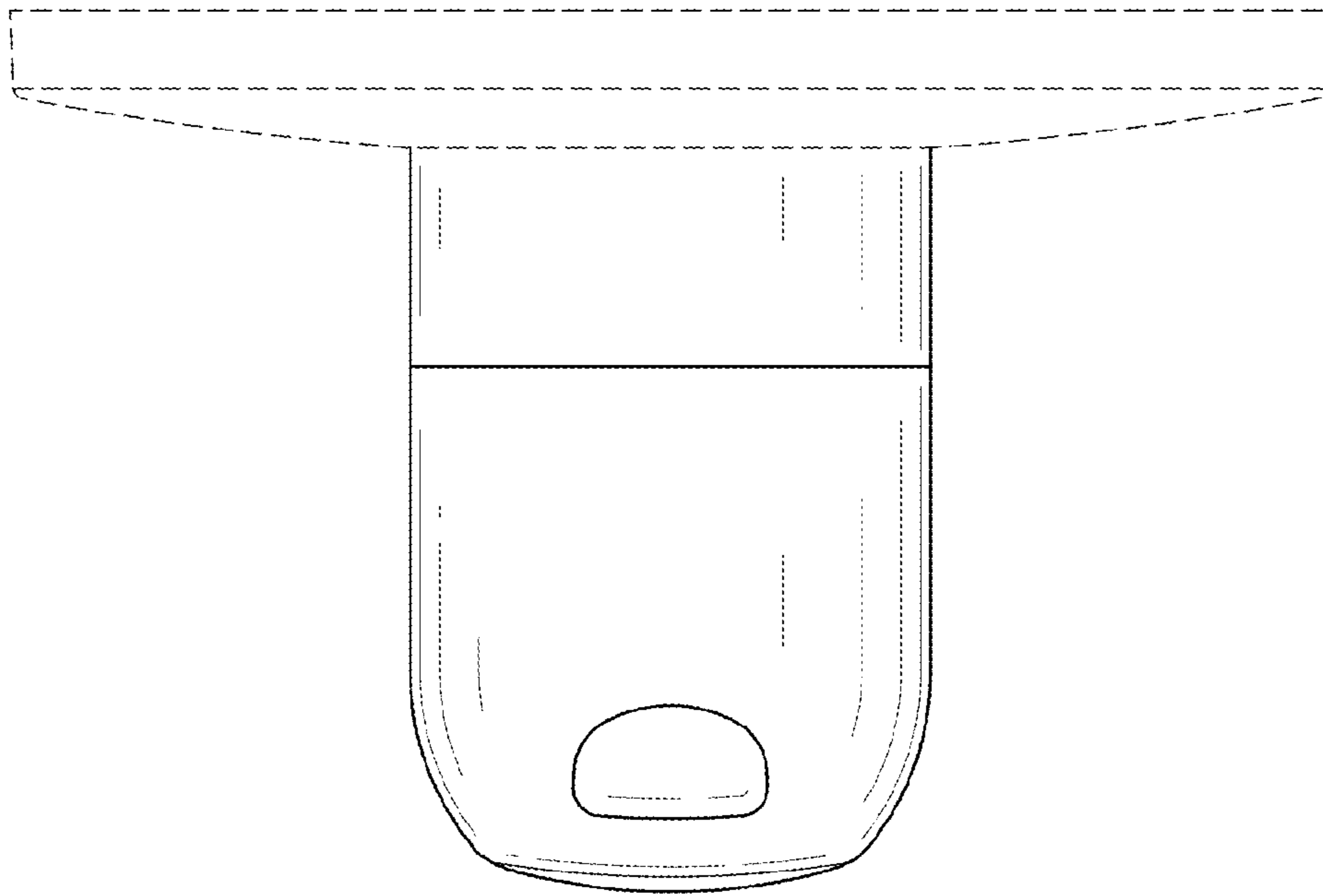


FIG. 5

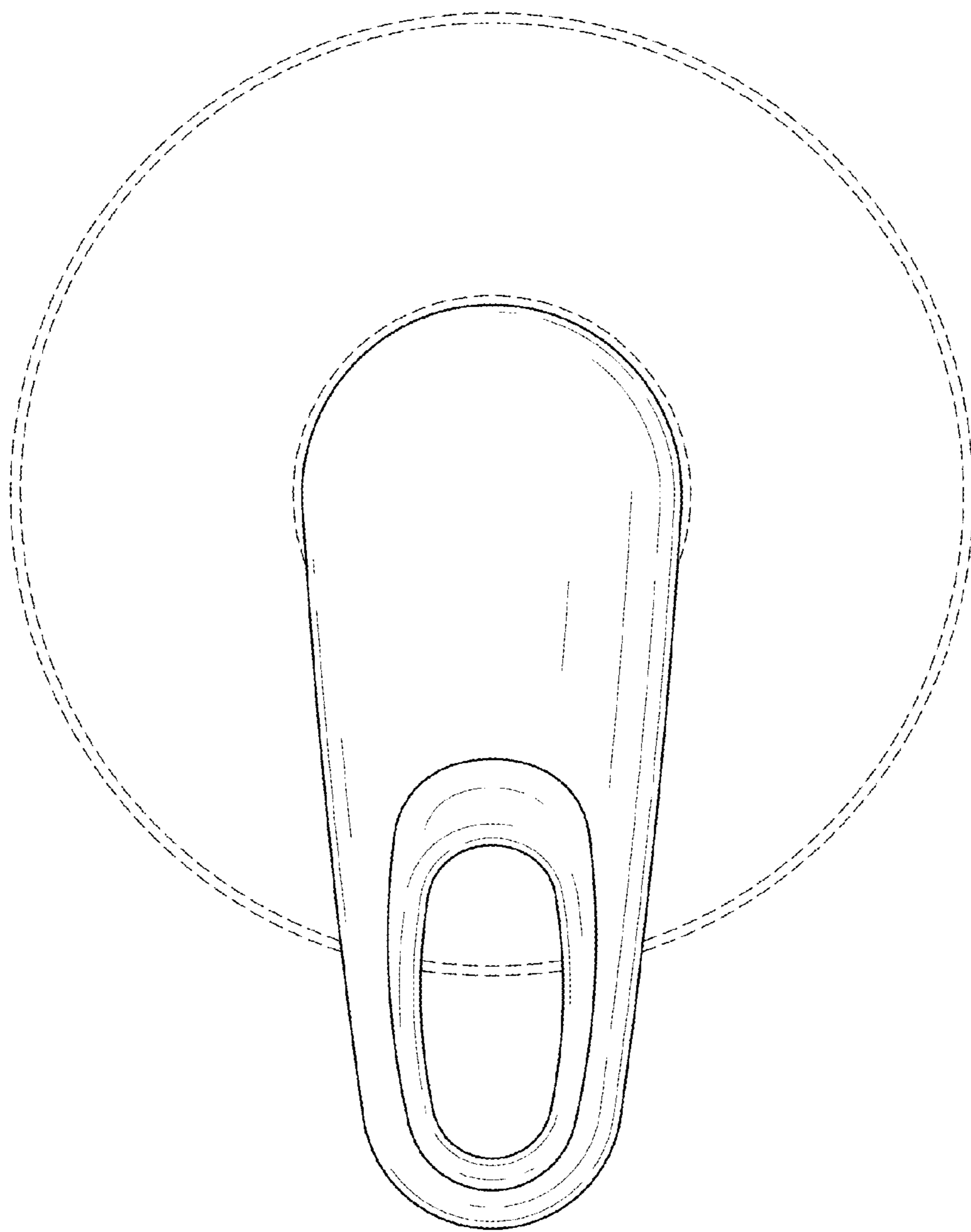


FIG. 6

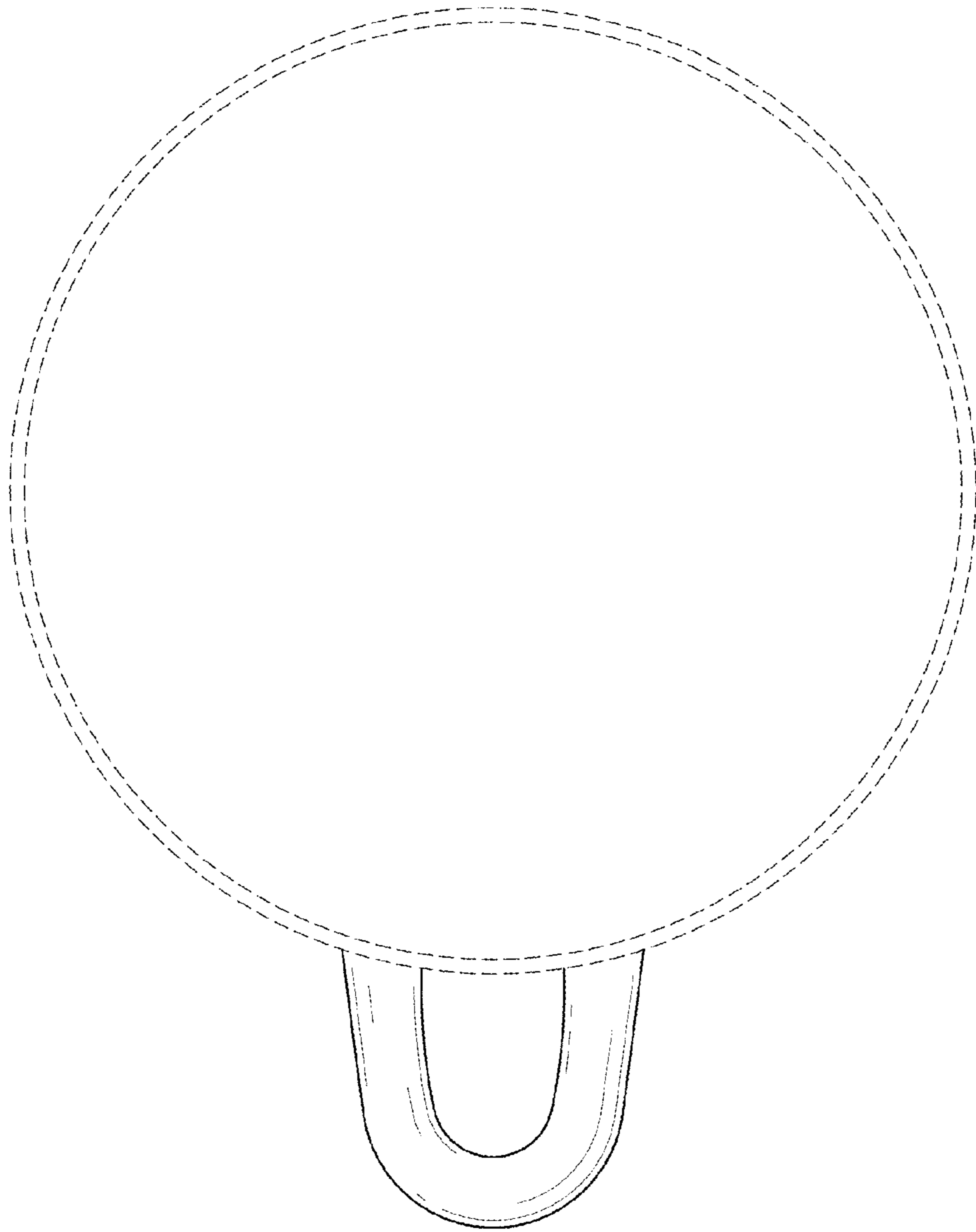


FIG.7