



US00D762820S

(12) **United States Design Patent**
Schoenherr et al.

(10) **Patent No.:** **US D762,820 S**
(45) **Date of Patent:** **** *Aug. 2, 2016**

(54) **FAUCET**
(71) Applicant: **Hansgrohe SE**, Schiltach (DE)
(72) Inventors: **Tom Schoenherr**, Stuttgart (DE);
Andreas Diefenbach,
Ludwigsburg-Oßweil (DE)
(73) Assignee: **Hansgrohe SE**, Schiltach, DE (US)
(*) Notice: This patent is subject to a terminal disclaimer.
(**) Term: **15 Years**
(21) Appl. No.: **29/534,124**
(22) Filed: **Jul. 27, 2015**
(30) **Foreign Application Priority Data**

D635,650 S 4/2011 Schoenherr et al.
D684,667 S * 6/2013 Yu D23/238
D700,956 S * 3/2014 Schoenherr D23/238

FOREIGN PATENT DOCUMENTS

CN 302662801 11/2013
CN 302721709 1/2014
EM 002069583-0003 7/2012
EM 002344432-0002 11/2013

* cited by examiner

Primary Examiner — Robert Delehanty

(74) *Attorney, Agent, or Firm* — Lora J. Graentzdoerffer

Feb. 2, 2015 (EM) 002625244-0004

(51) **LOC (10) Cl.** **23-01**

(52) **U.S. Cl.**
USPC **D23/238**

(58) **Field of Classification Search**
USPC D23/238–243, 249–250, 252, 255, 257
CPC E03C 1/04; E03C 1/0401; E03C 1/0402;
E03C 1/0404; F16K 31/602; F16K 31/605;
F16K 31/607
See application file for complete search history.

(56) **References Cited**

U.S. PATENT DOCUMENTS

D580,014 S * 11/2008 Citterio D23/238

(57) **CLAIM**

The ornamental design for a faucet, as shown and described.

DESCRIPTION

FIG. 1 is a perspective view of a faucet showing our design;
FIG. 2 is a front elevation view;
FIG. 3 is a rear elevation view;
FIG. 4 is a side elevation view;
FIG. 5 is a top plan view; and,
FIG. 6 is a bottom plan view.

The broken-line disclosure in the views represents portions of the faucet in which the claimed design is embodied, but which form no part of the claimed design.

1 Claim, 6 Drawing Sheets

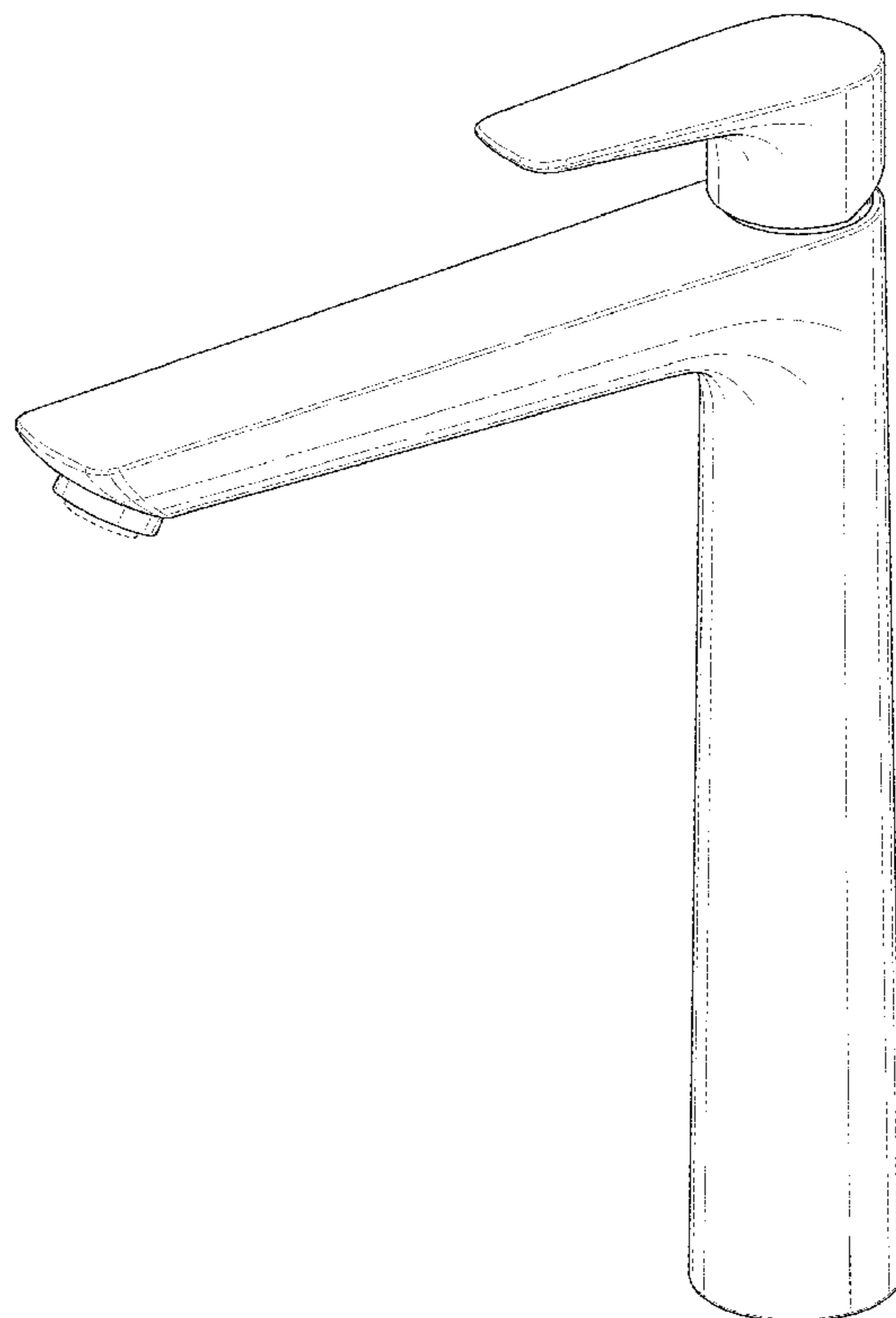


FIG. 1

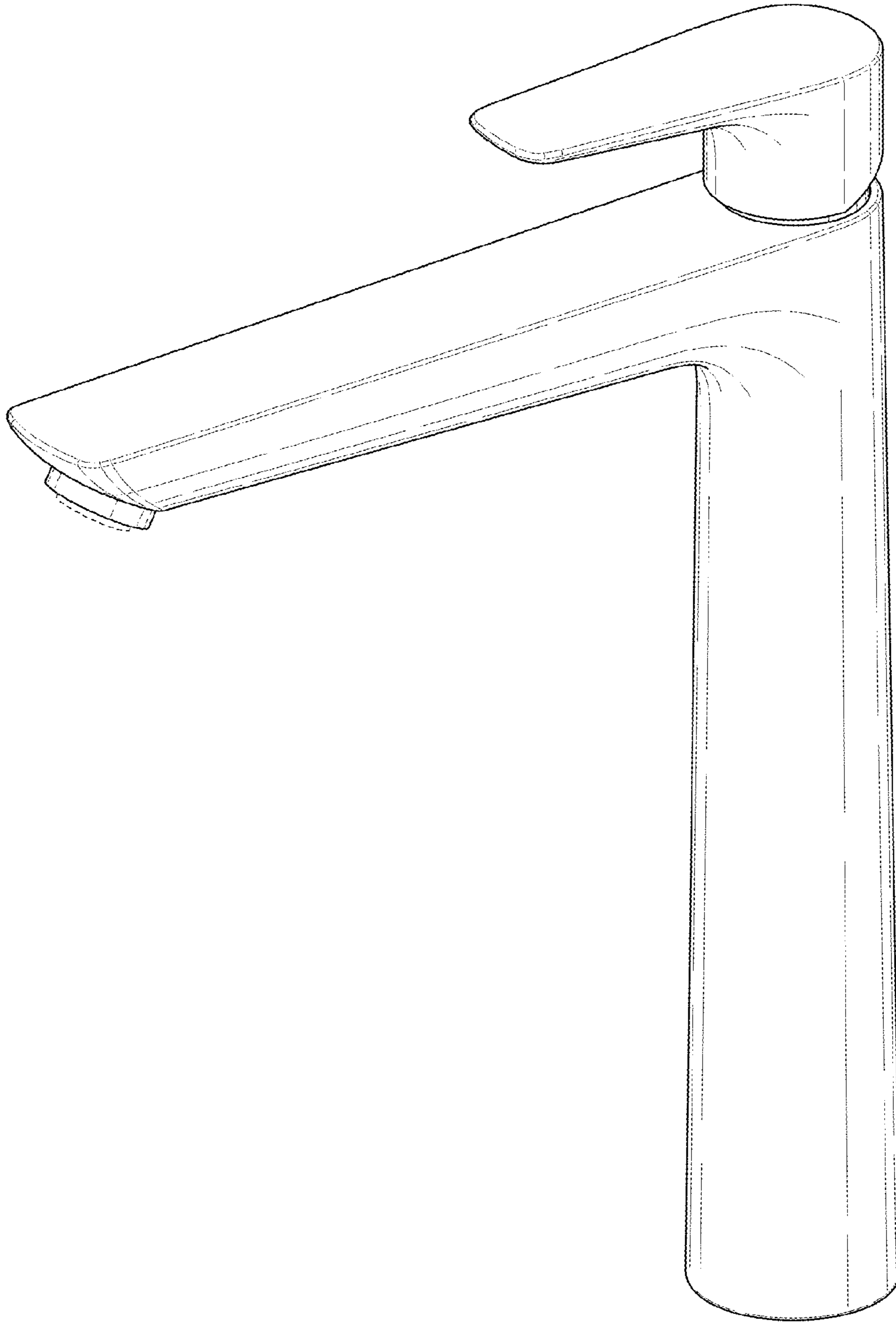


FIG. 2

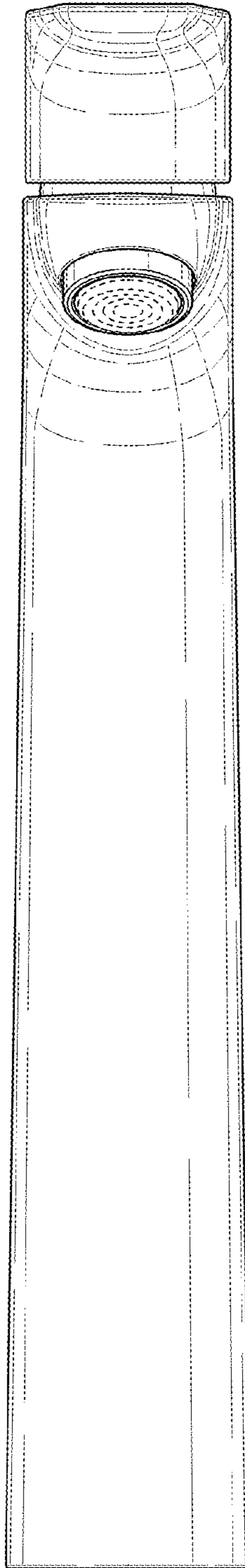


FIG. 3

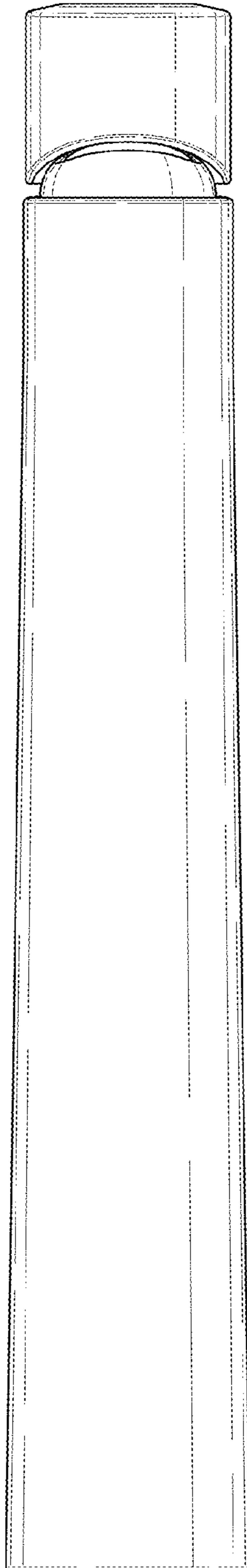


FIG. 4

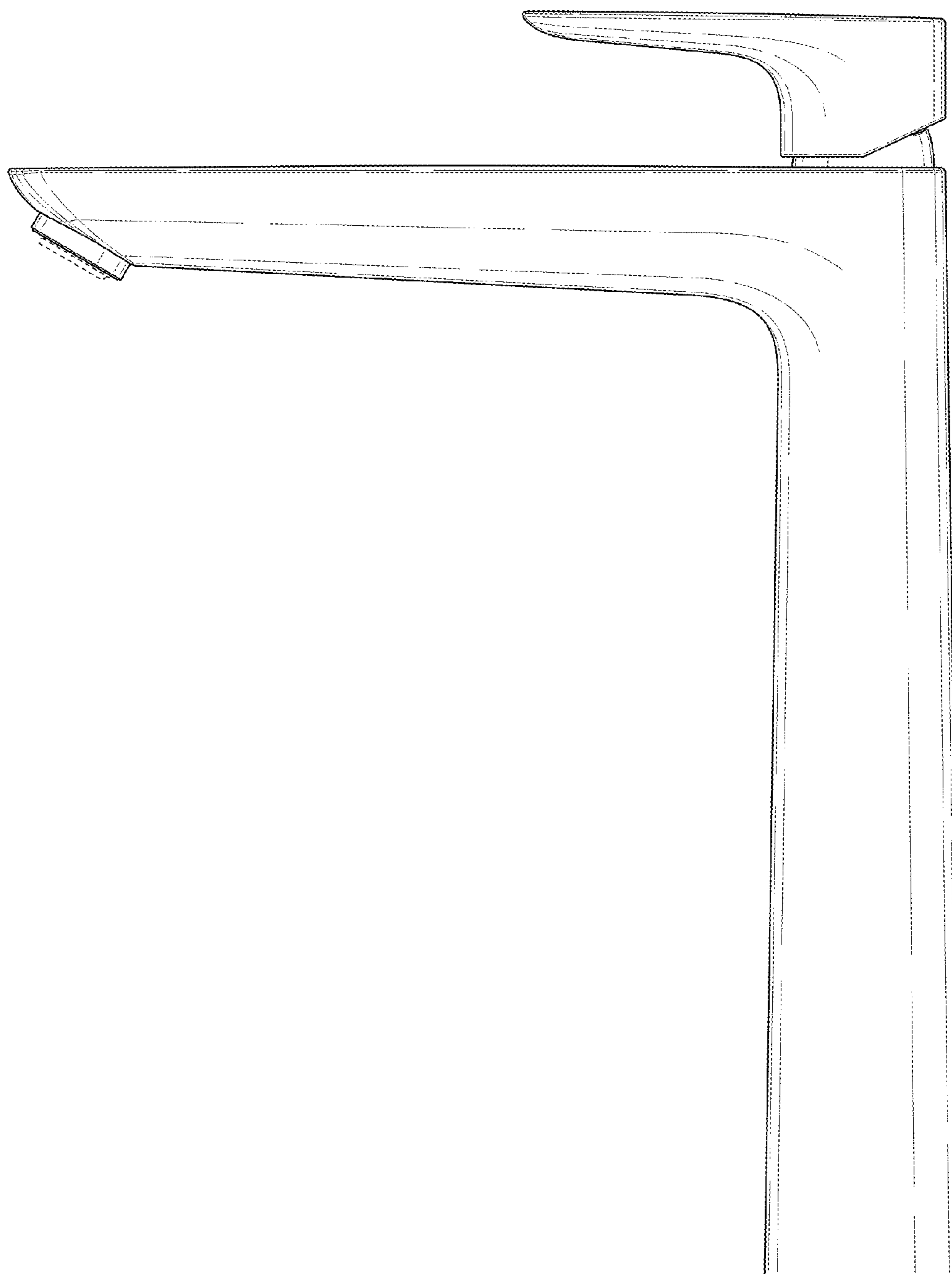


FIG. 5

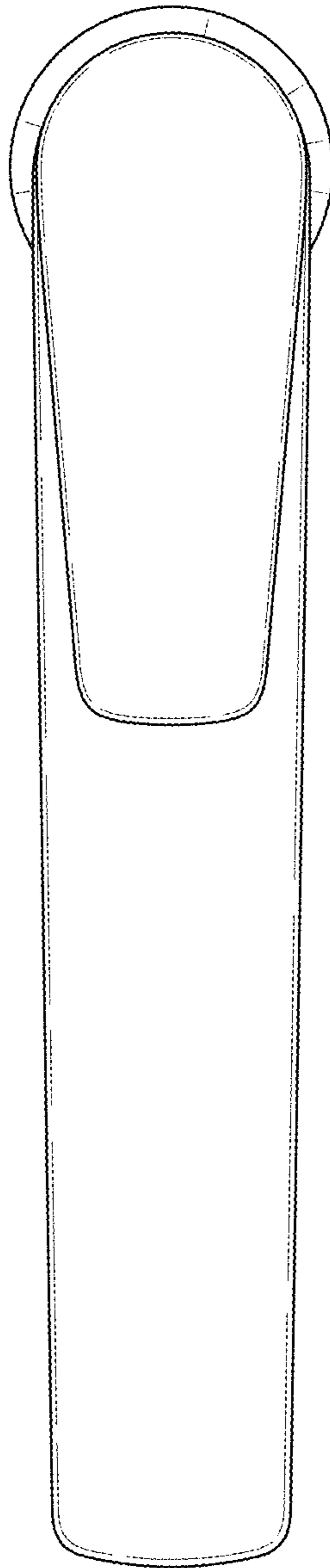


FIG. 6

