

US00D762818S

(12) **United States Design Patent**
Kline

(10) **Patent No.:** **US D762,818 S**

(45) **Date of Patent:** **** Aug. 2, 2016**

(54) **MIXING VALVE BODY**

CPC G05D 23/1306; G05D 23/1313; F16K 31/002; F16K 27/0263; F16K 31/025; F16K 37/005; F16K 3/26

(71) Applicant: **Magarl, LLC**, Naples, FL (US)

See application file for complete search history.

(72) Inventor: **Kevin B. Kline**, Whitefish Bay, WI (US)

(56) **References Cited**

(73) Assignee: **Magarl, LLC**, Naples, FL (US)

U.S. PATENT DOCUMENTS

(**) Term: **15 Years**

289,954 A	12/1883	Badger
1,195,722 A	8/1916	Powers et al.
1,243,999 A	10/1917	Snediker
1,417,291 A	5/1922	Allen
1,535,051 A	4/1925	Smith et al.
1,879,344 A	9/1932	Lawler
1,915,867 A	6/1933	Penick
1,931,896 A	10/1933	Henning
1,990,653 A	2/1935	Kollsman
RE19,488 E	3/1935	Russell et al.
2,125,245 A	7/1938	McCray
2,172,489 A	9/1939	Young
2,203,130 A	6/1940	Costello
2,211,672 A	8/1940	Reeder
2,250,815 A	7/1941	Ruegg et al.
2,282,152 A	5/1942	Babbin
2,317,717 A	4/1943	Bauman

(21) Appl. No.: **29/527,118**

(22) Filed: **May 15, 2015**

Related U.S. Application Data

(60) Continuation of application No. 14/076,552, filed on Nov. 11, 2013, now Pat. No. 9,218,006, which is a continuation of application No. 13/221,376, filed on Aug. 30, 2011, now Pat. No. 8,579,206, which is a continuation of application No. 11/676,432, filed on Feb. 19, 2007, now abandoned, which is a continuation of application No. 10/939,585, filed on Sep. 13, 2004, now Pat. No. 7,191,954, which is a continuation of application No. 10/378,185, filed on Mar. 3, 2003, now Pat. No. 6,851,440, which is a continuation of application No. 09/941,141, filed on Aug. 28, 2001, now Pat. No. 6,543,478, which is a division of application No. 09/633,728, filed on Aug. 7, 2000, now Pat. No. 6,315,210, which is a continuation of application No. 09/165,880, filed on Oct. 2, 1998, now abandoned.

(Continued)

Primary Examiner — Cynthia Ramirez

Assistant Examiner — Gino Colan

(74) *Attorney, Agent, or Firm* — John V. Daniluk; Bingham Greenbaum Doll LLP

(51) **LOC (10) Cl.** **23-01**

(52) **U.S. Cl.**

USPC **D23/233**

(58) **Field of Classification Search**

USPC D23/233–250; 236/12.2, DIG. 2, 12.11, 236/12.16, 12.17, 12.18, 12.19, 12.21, 236/12.14, 12.22, 12.13; 137/614.2, 468, 2, 137/3, 599.11; 138/597, 538, 540, 535, 138/543.19, 5; 251/11; 123/41.09, 41.08

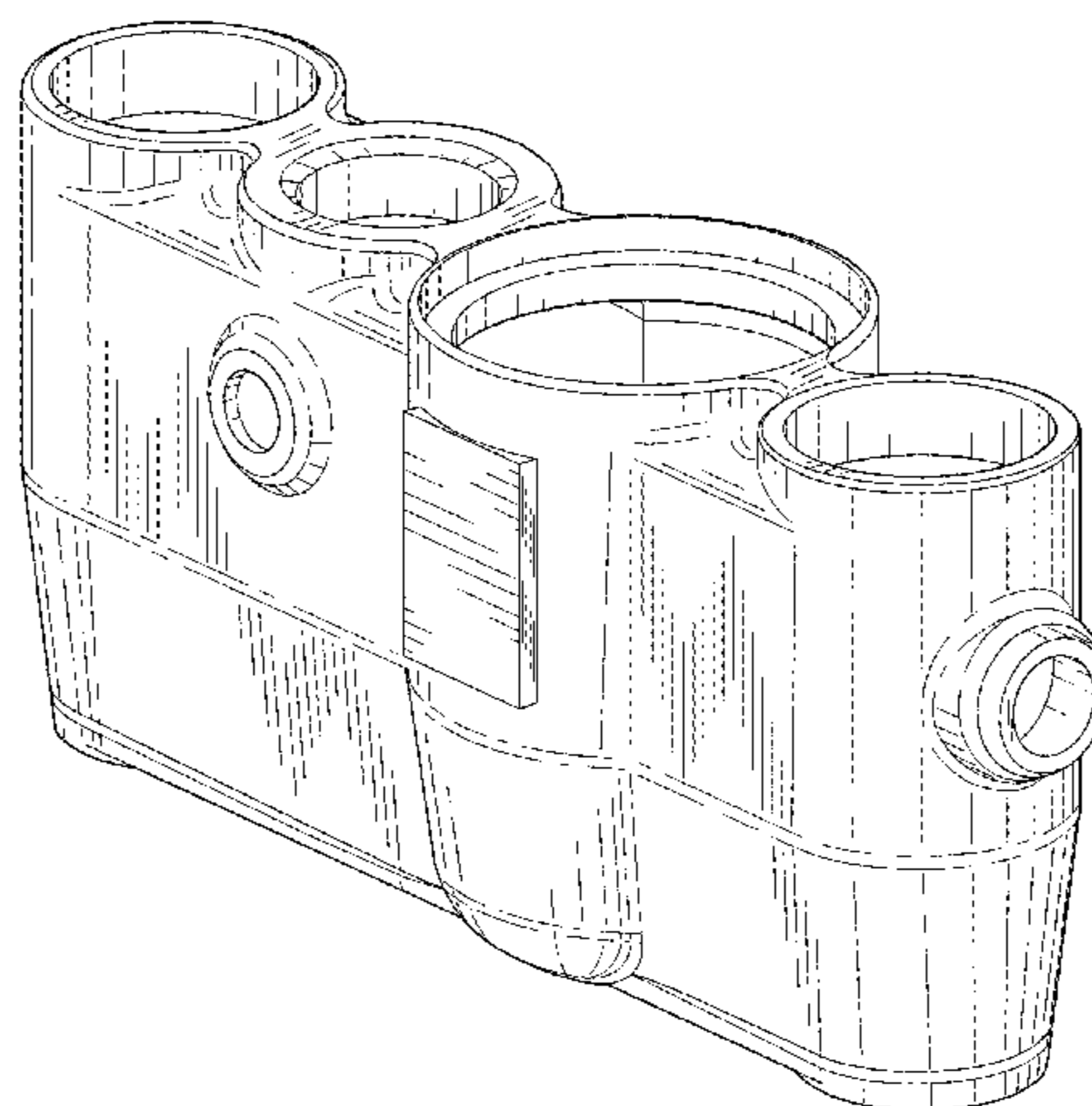
(57) **CLAIM**

The ornamental design for a mixing valve body, as shown and described.

DESCRIPTION

FIG. 1 is a perspective view of a mixing valve body according to one embodiment of the present invention; and, FIG. 2 is a front view of the apparatus of FIG. 1. The rear, bottom, and left side views of the mixing valve body are not part of the claimed design.

1 Claim, 2 Drawing Sheets



(56)

References Cited

U.S. PATENT DOCUMENTS

2,387,792 A	10/1945	Holmes	4,285,465 A	8/1981	North
2,503,901 A	4/1950	Chace	4,299,354 A	11/1981	Ketley
2,535,893 A	12/1950	Branson	4,304,358 A	12/1981	Riis
2,569,838 A	10/1951	Vinson	4,475,684 A	10/1984	Garlick et al.
2,636,776 A	4/1953	Venet	4,480,784 A	11/1984	Bennett
2,713,972 A	7/1955	Geise	4,514,095 A	4/1985	Ehrfeld et al.
2,791,379 A	5/1957	Dew	4,819,867 A	4/1989	Delpla et al.
2,792,847 A	5/1957	Spencer	4,883,225 A	11/1989	Kitchens
2,803,408 A	8/1957	Hope	4,913,182 A	4/1990	Whiteside
2,828,075 A	3/1958	Panza et al.	4,923,115 A	5/1990	Sekoguchi et al.
2,855,151 A	10/1958	Lesovsky	5,011,074 A	4/1991	Kline
3,001,717 A	9/1961	Kozel	5,050,062 A	9/1991	Hass
3,004,710 A	10/1961	Couffer, Jr. et al.	5,161,737 A	11/1992	Olmsted
3,036,777 A	5/1962	Budde	5,203,496 A	4/1993	Kline
3,044,707 A	7/1962	Bayer	5,206,963 A	5/1993	Wiens
3,061,195 A	10/1962	Bowman	5,323,960 A	6/1994	Kline
3,361,412 A	1/1968	Cole, III	5,341,987 A	8/1994	Ackroyd
3,561,482 A	2/1971	Taplin	5,379,936 A	1/1995	Kline
3,593,964 A	7/1971	Morane	5,524,820 A	6/1996	Regan
3,739,945 A	6/1973	Guertin	5,647,530 A	7/1997	Lorch
3,768,728 A	10/1973	Blank	5,913,614 A	6/1999	Smith et al.
3,782,412 A	1/1974	Darash	6,315,210 B1 *	11/2001	Kline G05D 23/134 236/12.2
3,827,016 A	7/1974	Knapp	D494,252 S *	8/2004	Kline D23/233
3,925,283 A	12/1975	Dahl	8,123,140 B2	2/2012	Kline
3,929,281 A	12/1975	Woodward	D690,390 S *	9/2013	Garm D23/233
3,929,283 A	12/1975	Delpla	9,081,392 B2 *	7/2015	Kline
3,938,741 A	2/1976	Allison	9,218,006 B2 *	12/2015	Kline G05D 23/134
3,955,759 A	5/1976	Knapp	2007/0000547 A1 *	1/2007	Cochart F16K 11/00 137/614.2
3,958,555 A	5/1976	Horne	2012/0223150 A1	9/2012	Kline
4,082,219 A	4/1978	Rogers, Jr. et al.	2014/0251445 A1 *	9/2014	Guilbert G05D 23/1306 137/15.18
4,165,034 A	8/1979	Rogers, Jr. et al.	2015/0331431 A1 *	11/2015	Graves G05D 23/134 236/12.16
4,195,656 A	4/1980	Kanerva et al.			
4,284,102 A	8/1981	Adler			

* cited by examiner

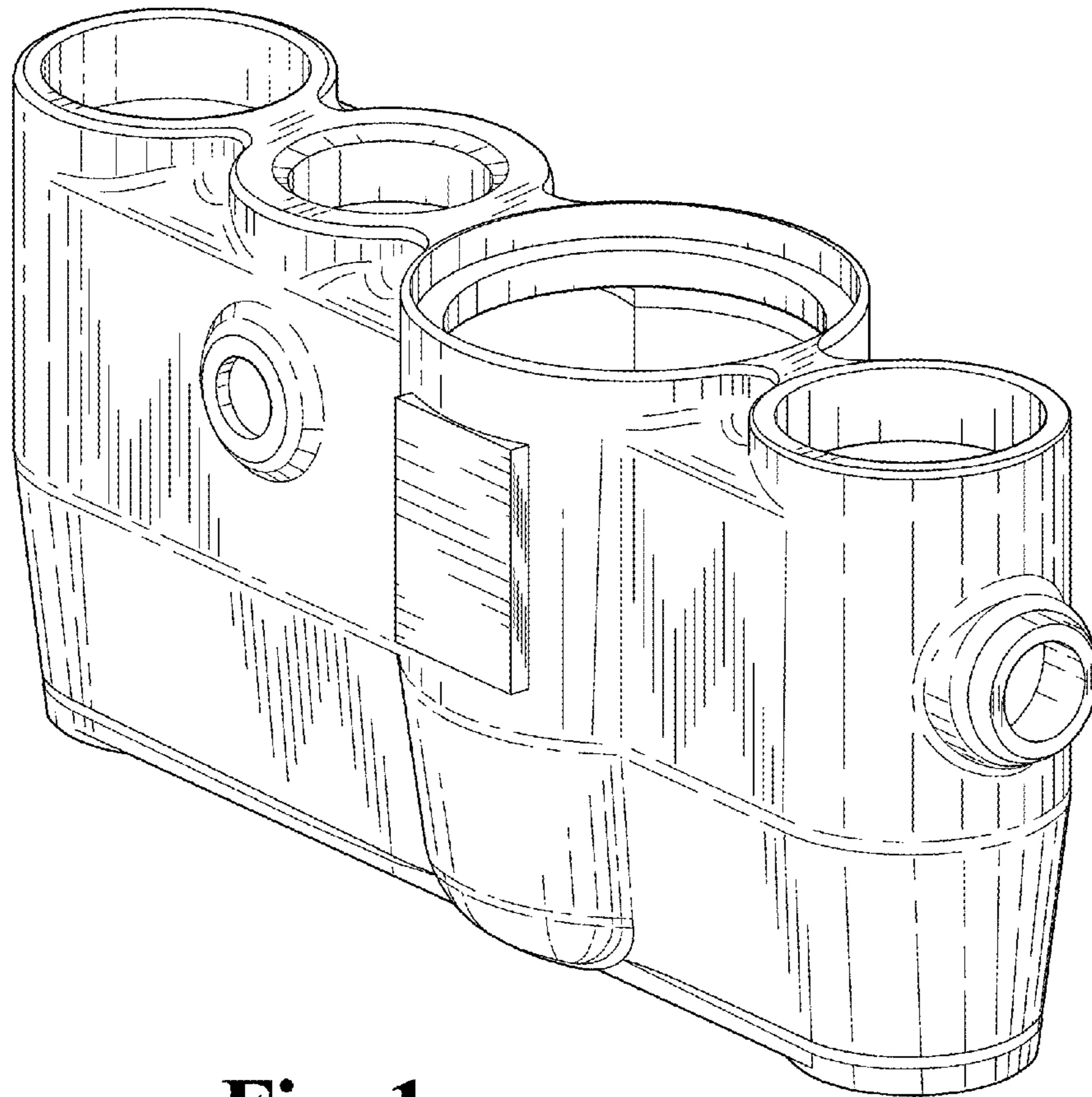


Fig. 1

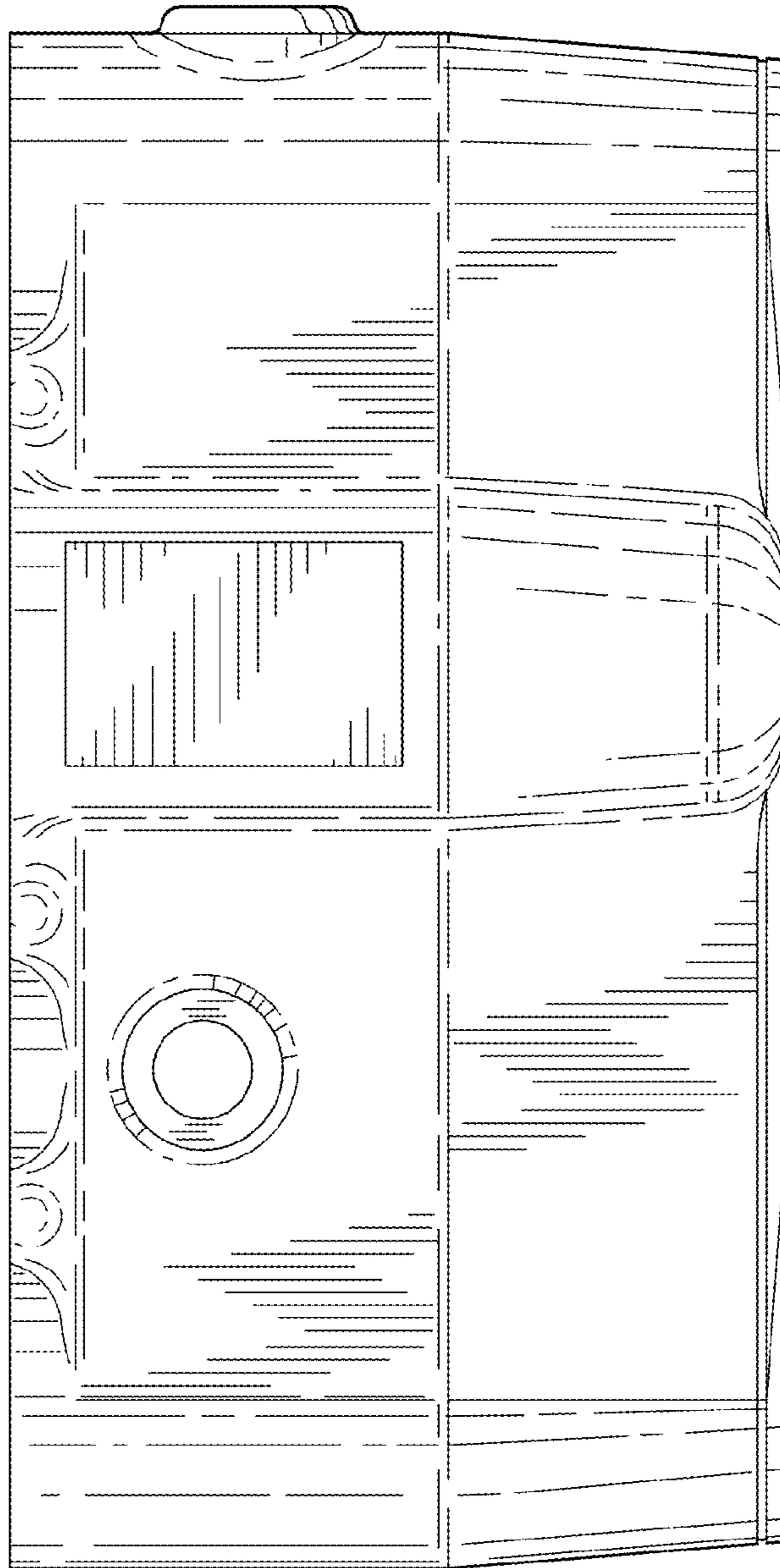


Fig. 2