



US00D762817S

(12) **United States Design Patent**
Salsberg

(10) **Patent No.:** **US D762,817 S**

(45) **Date of Patent:** **** Aug. 2, 2016**

(54) **LAWN SPRINKLER**

(71) Applicant: **Paul Salsberg**, Toronto (CA)

(72) Inventor: **Paul Salsberg**, Toronto (CA)

(**) Term: **15 Years**

(21) Appl. No.: **29/563,053**

(22) Filed: **May 2, 2016**

(51) **LOC (10) Cl.** **23-01**

(52) **U.S. Cl.**
USPC **D23/216; D23/217**

(58) **Field of Classification Search**
USPC D23/213, 214, 216, 217, 221; 239/63,
239/200, 225.1, 242, 273, 276
CPC B05B 3/044; B05B 15/062
See application file for complete search history.

(56) **References Cited**

U.S. PATENT DOCUMENTS

3,602,433	A *	8/1971	Proctor	B05B 1/046 239/276
D281,996	S *	12/1985	Hayes	D23/216
D351,214	S *	10/1994	Clivio	D23/214
D398,952	S *	9/1998	Hsueh	D23/216
D427,281	S *	6/2000	Guo	D23/216
D439,632	S *	3/2001	King	D23/221
D466,184	S *	11/2002	Kuo	D23/216

D466,975	S *	12/2002	Kuo	D23/216
D618,308	S *	6/2010	Nies	D23/216
7,866,570	B2 *	1/2011	Griffin	B05B 3/044 239/1
8,453,948	B2 *	6/2013	Altaii	B05B 15/061 239/273
D751,668	S *	3/2016	Salsberg	D23/214

* cited by examiner

Primary Examiner — Robin V Webster

(74) *Attorney, Agent, or Firm* — Joseph Terzo, Esq.; Carrie Stroup

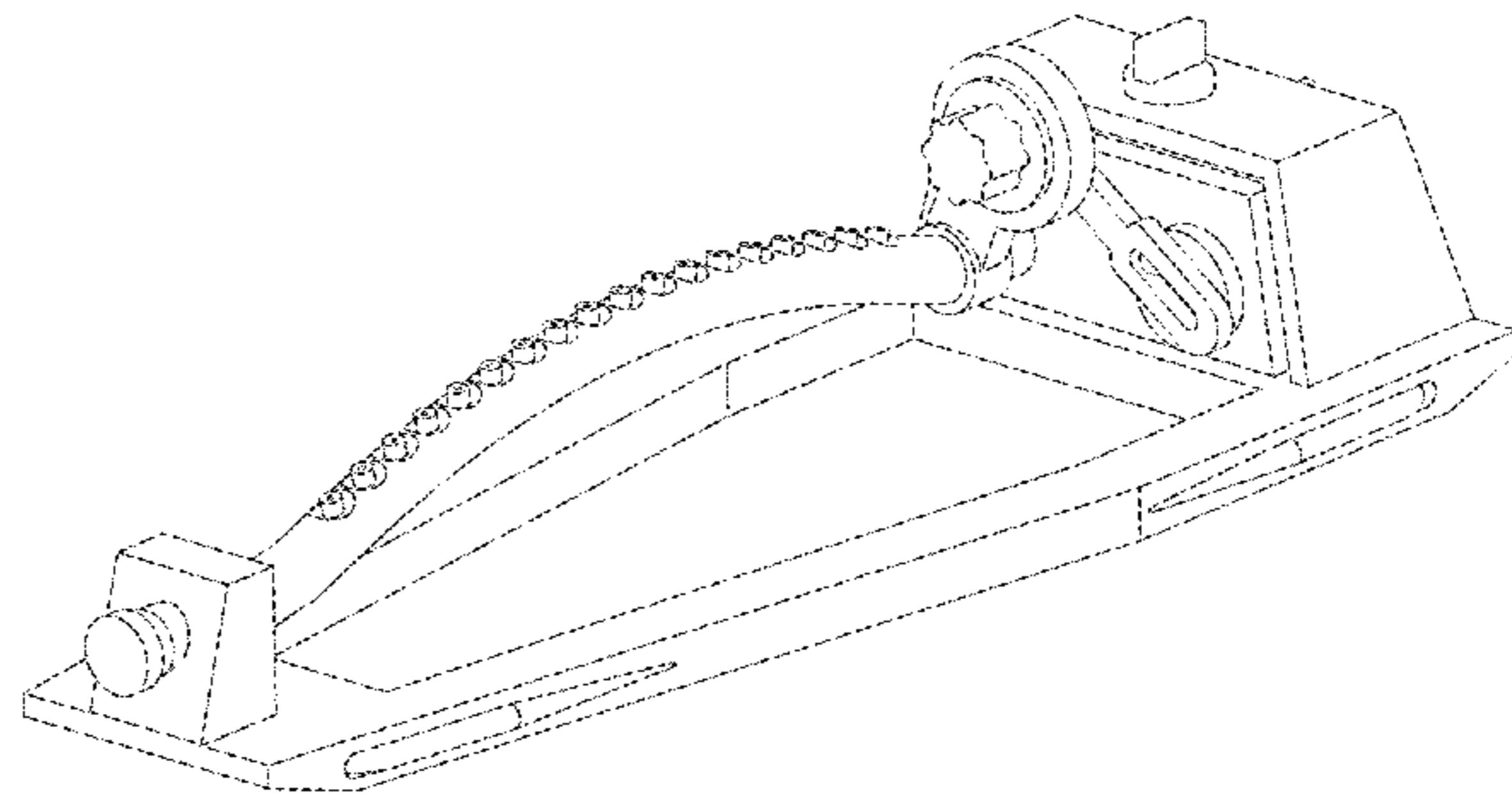
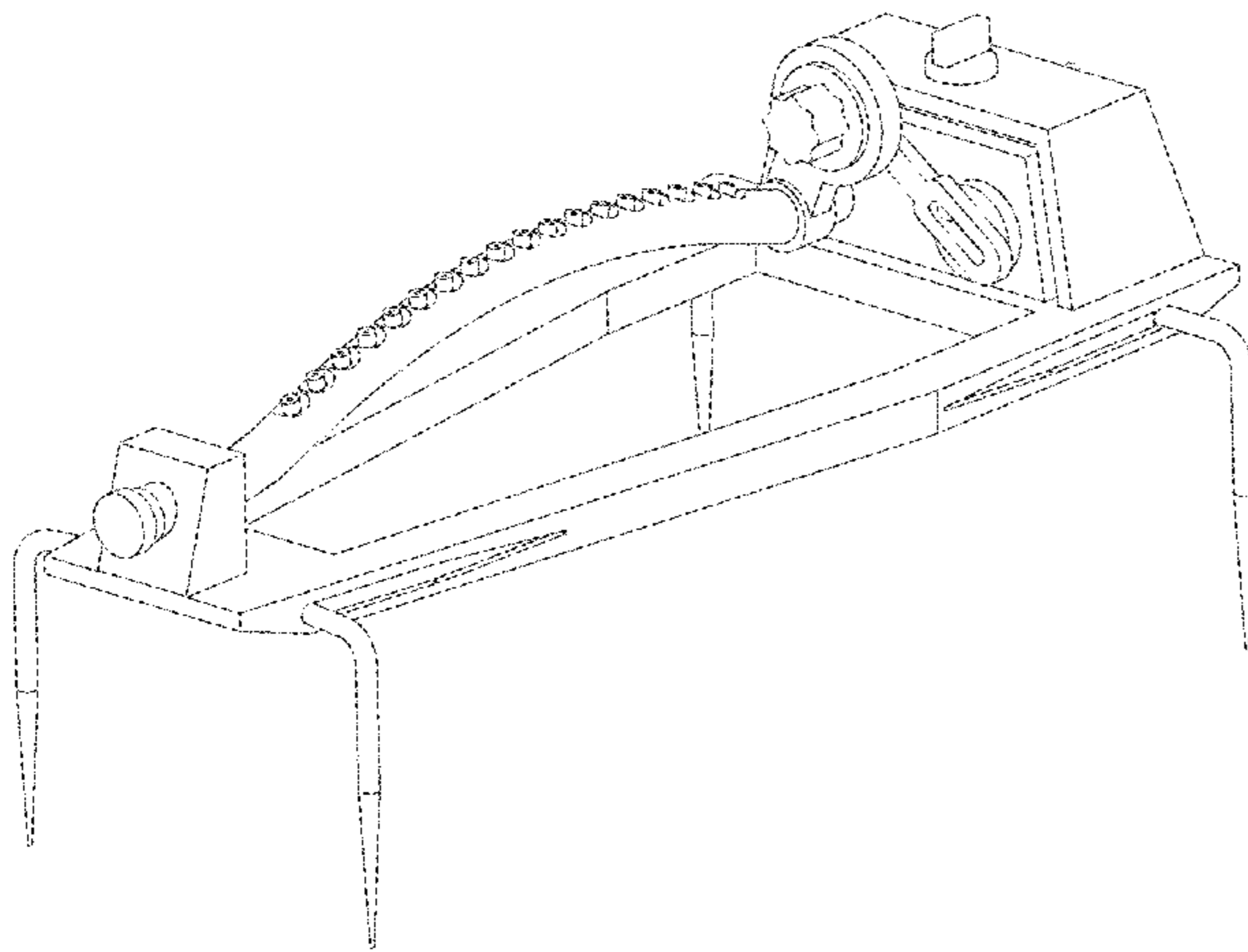
(57) **CLAIM**

The ornamental design for a lawn sprinkler, as shown and described.

DESCRIPTION

FIG. 1 is a left front perspective view of the lawn sprinkler; FIG. 2 is a front elevational view thereof; FIG. 3 is a back elevational view thereof; FIG. 4 is a right side view thereof; FIG. 5 is a left side view thereof; FIG. 6 is a top plan view thereof; FIG. 7 is a bottom plan view thereof; and, FIG. 8 is a left front perspective view of a second configuration of the lawn sprinkler with the legs collapsed.

1 Claim, 8 Drawing Sheets



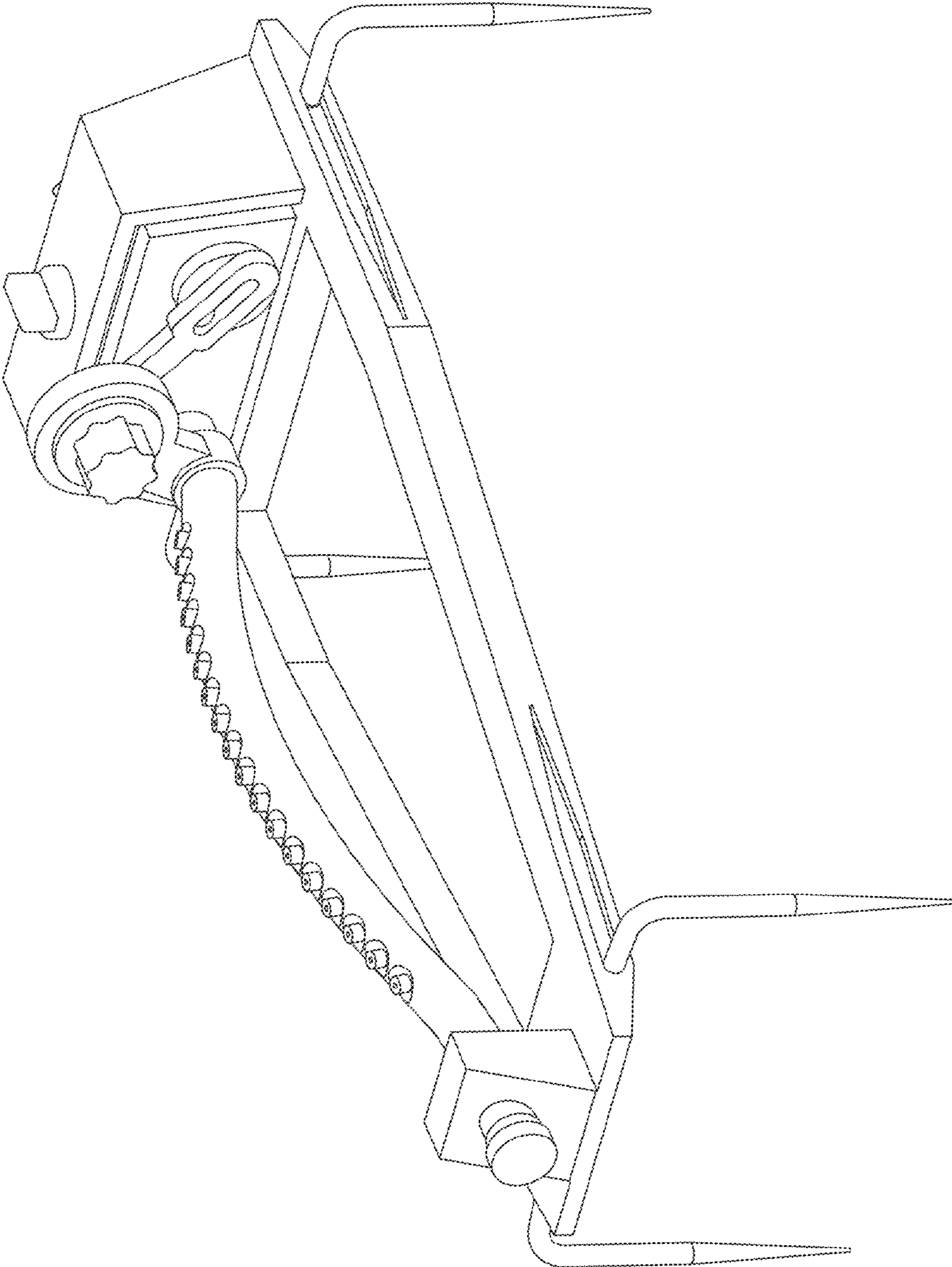


FIG. 1

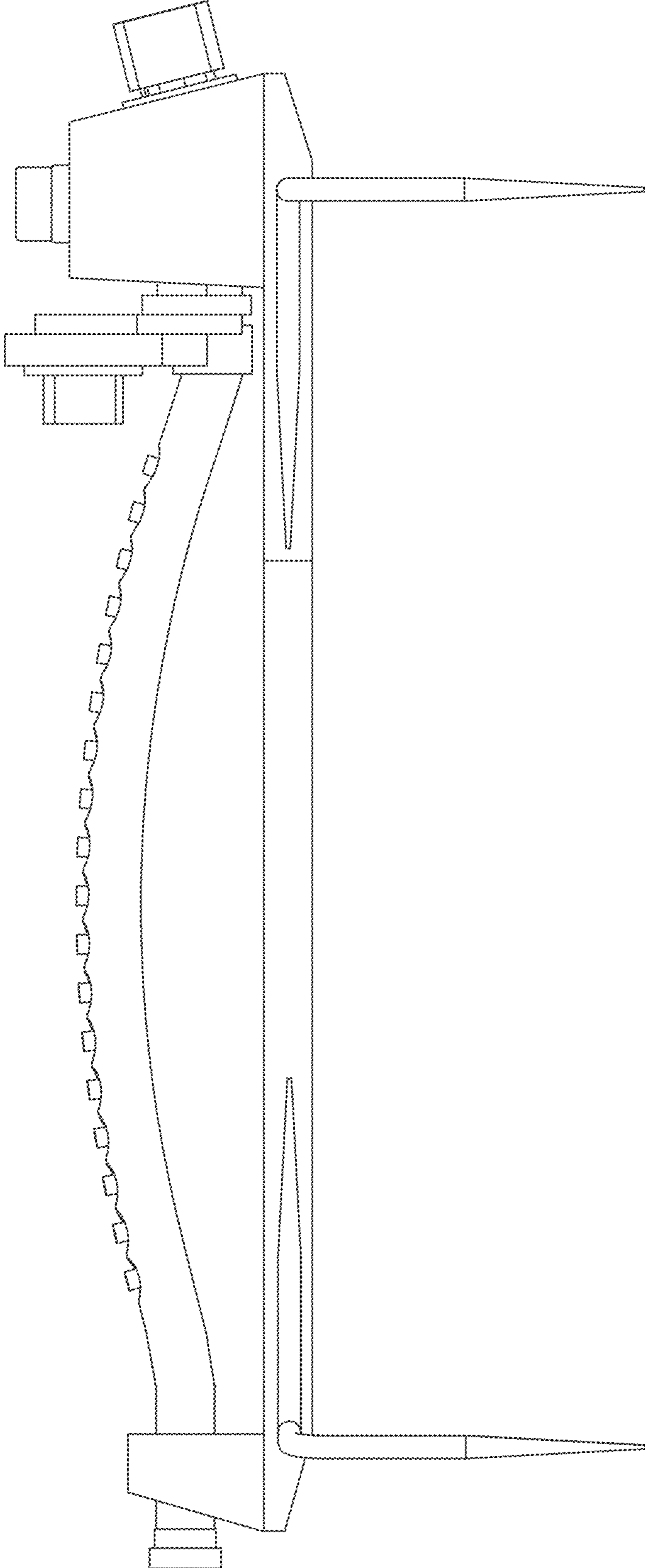


FIG. 2

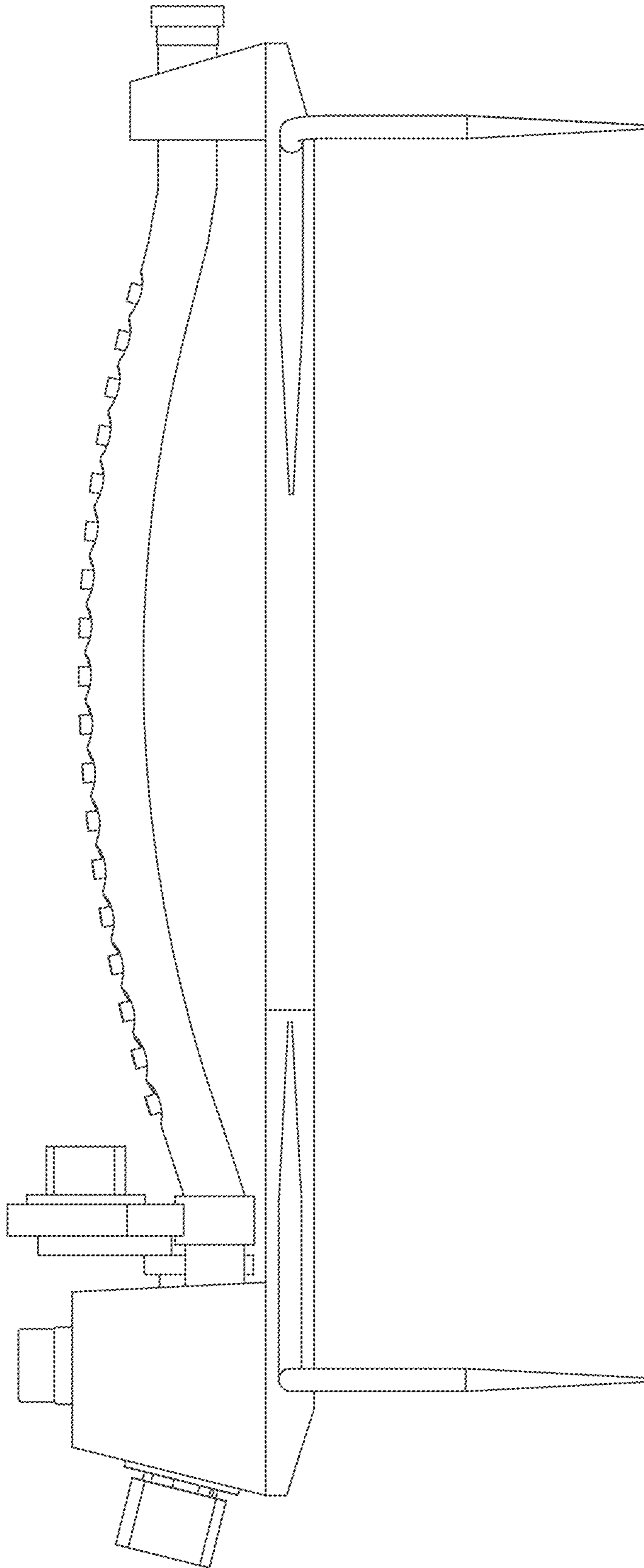


FIG. 3

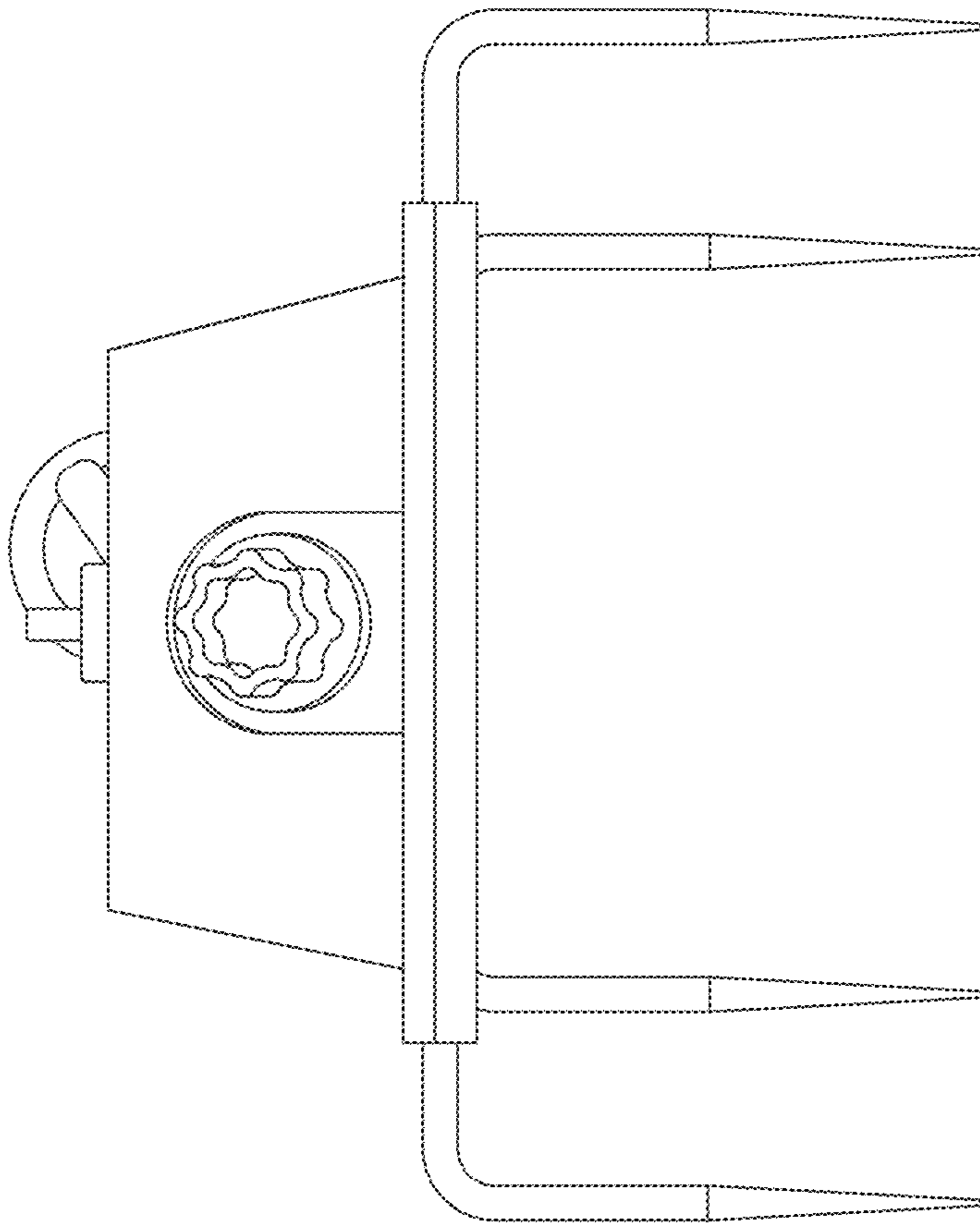


FIG. 4

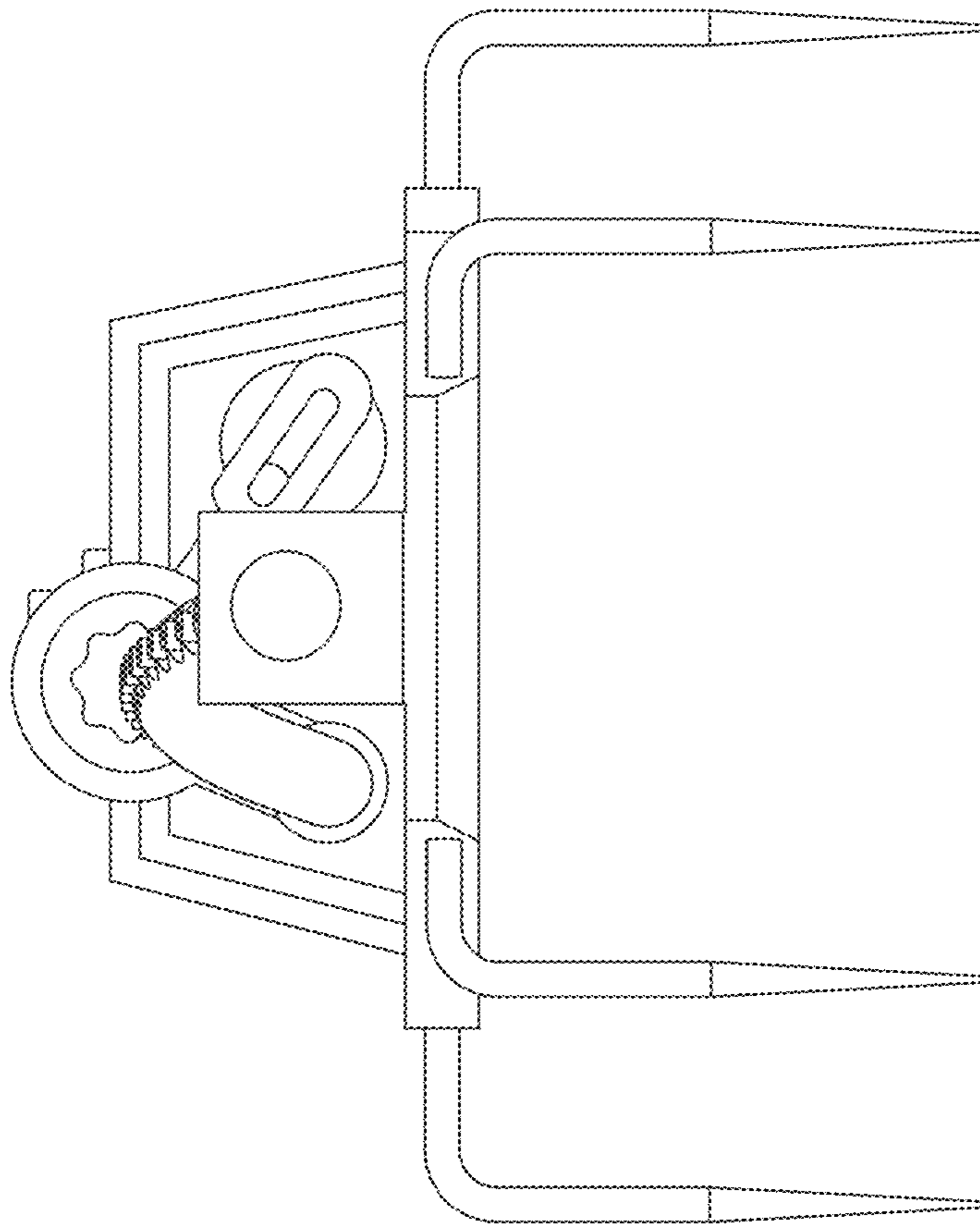


FIG. 5

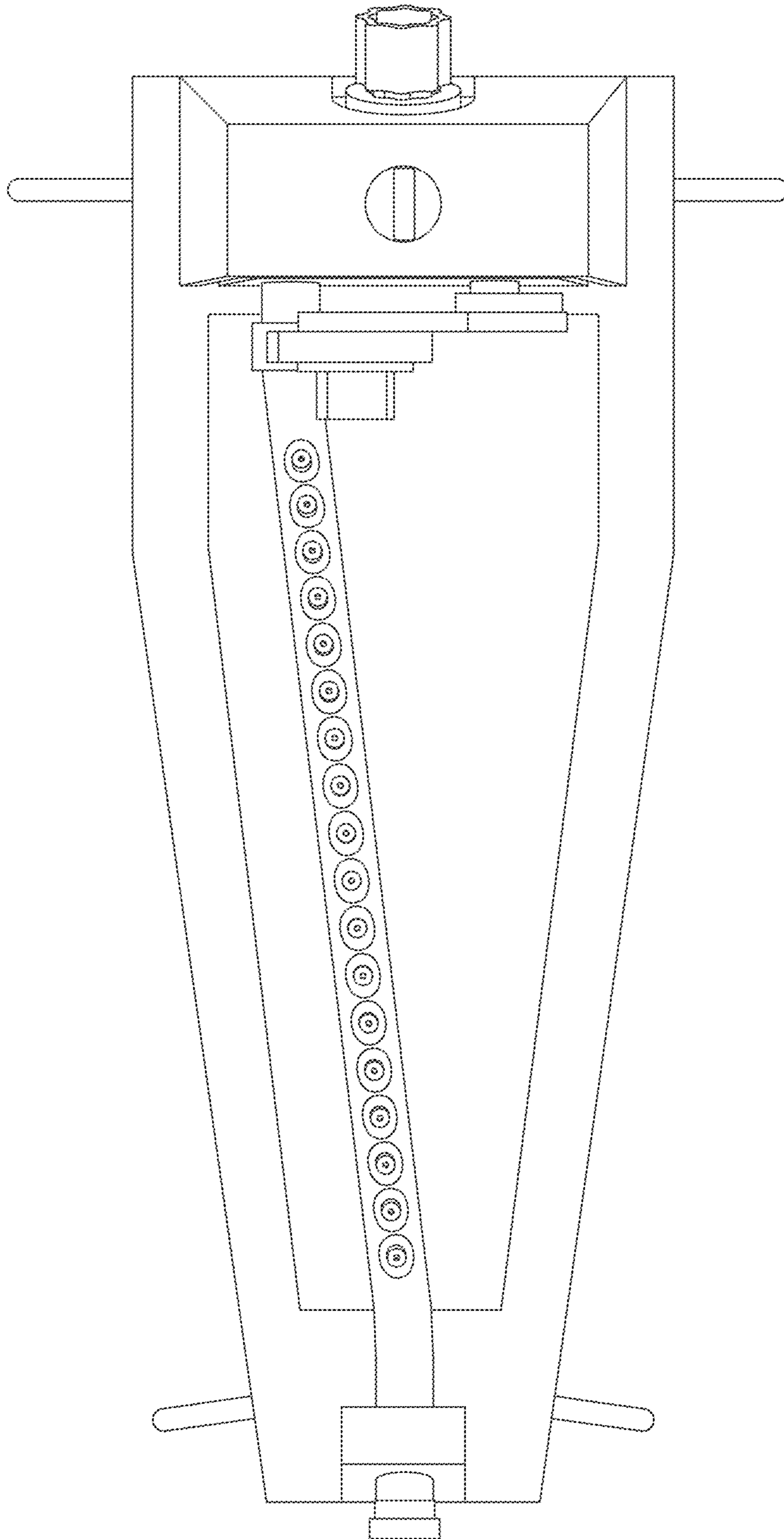


FIG. 6

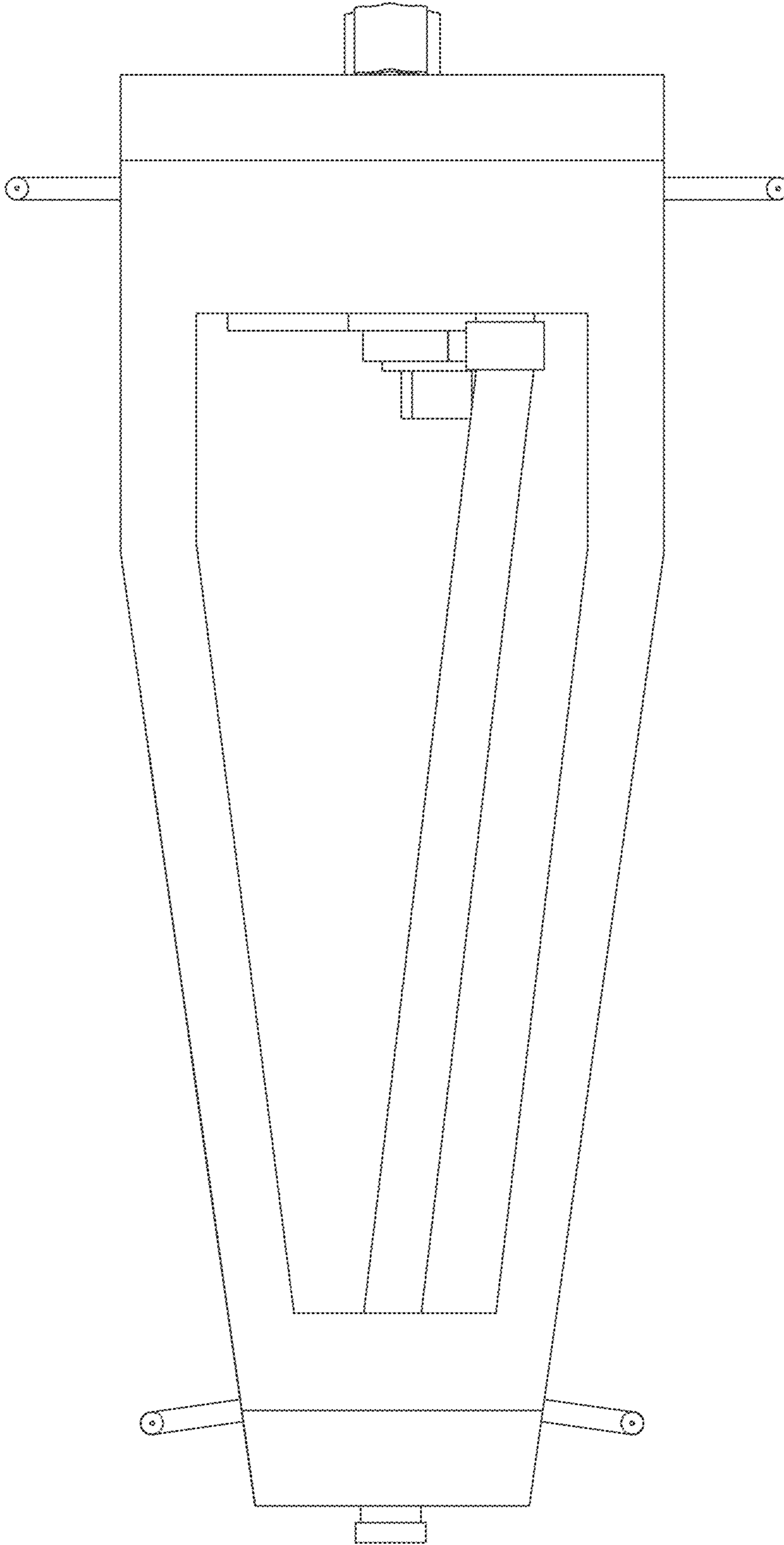


FIG. 7

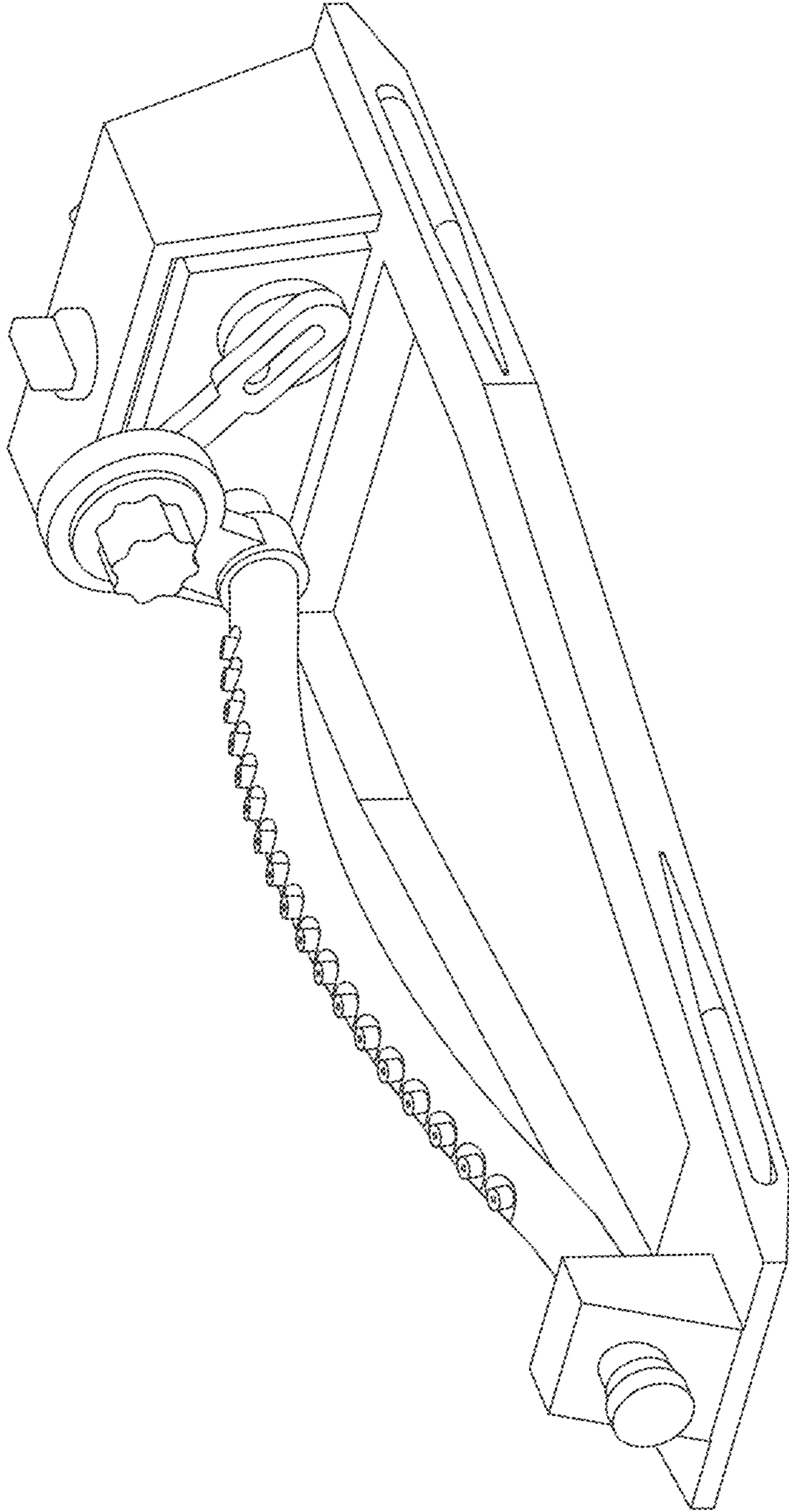


FIG. 8