



US00D762813S

(12) **United States Design Patent**  
**Lu**

(10) **Patent No.:** **US D762,813 S**  
(45) **Date of Patent:** **\*\* Aug. 2, 2016**

(54) **FITTING SECTION OF A WATER FILTER**

(71) Applicant: **Red Origen LLC**, Plano, TX (US)

(72) Inventor: **Qiang Lu**, Ningbo Yinzhou (CN)

(73) Assignee: **Red Origen, LLC**, Plano, TX (US)

(\*\*) Term: **15 Years**

(21) Appl. No.: **29/531,263**

(22) Filed: **Jun. 24, 2015**

(51) **LOC (10) Cl.** ..... **23-01**

(52) **U.S. Cl.**  
USPC ..... **D23/209**

(58) **Field of Classification Search**  
USPC ..... D23/207, 209; 210/232, 234, 236, 418,  
210/493.2; 285/360, 361  
CPC ..... B01D 35/30; B01D 35/153; B01D 35/157  
See application file for complete search history.

(56) **References Cited**

**U.S. PATENT DOCUMENTS**

D243,767 S	3/1977	Rutherford
D269,294 S	6/1983	Rakocy et al.
D285,606 S	9/1986	Christopherson
D322,836 S	12/1991	Petrucci et al.
D356,625 S	3/1995	Petrucci et al.
D384,128 S	9/1997	Scott
D388,500 S	12/1997	Burchard et al.
5,826,854 A	10/1998	Janvrin et al.
D407,008 S	3/1999	Scott
D433,094 S	10/2000	Magnusson et al.
D439,304 S	3/2001	Tilp et al.
RE37,216 E	6/2001	Koslow
D448,448 S	9/2001	Hughes et al.
D472,604 S	4/2003	Fritze
D493,207 S	7/2004	Ueda et al.
D494,654 S	8/2004	Macaulay et al.
7,000,894 B2	2/2006	Olson et al.
7,147,773 B2	12/2006	Mitchell et al.

(Continued)

**OTHER PUBLICATIONS**

Photos of Electrolux water filter for a refrigerator, 2 pages, date unknown.

(Continued)

*Primary Examiner* — Robin V Webster

(74) *Attorney, Agent, or Firm* — Elizabeth Philip Dahm; Kelly J. Kubasta; Ferguson, Braswell & Fraser, PC

(57) **CLAIM**

The ornamental design for a fitting section of a water filter, as shown and described.

**DESCRIPTION**

FIG. 1 illustrates a front perspective view of fitting section on an implementation of a water filter.

FIG. 2 illustrates an exploded view of the fitting section on an implementation of a water filter with a removable base.

FIG. 3 illustrates a back perspective view of the fitting section on the implementation of the water filter illustrated in FIG. 1.

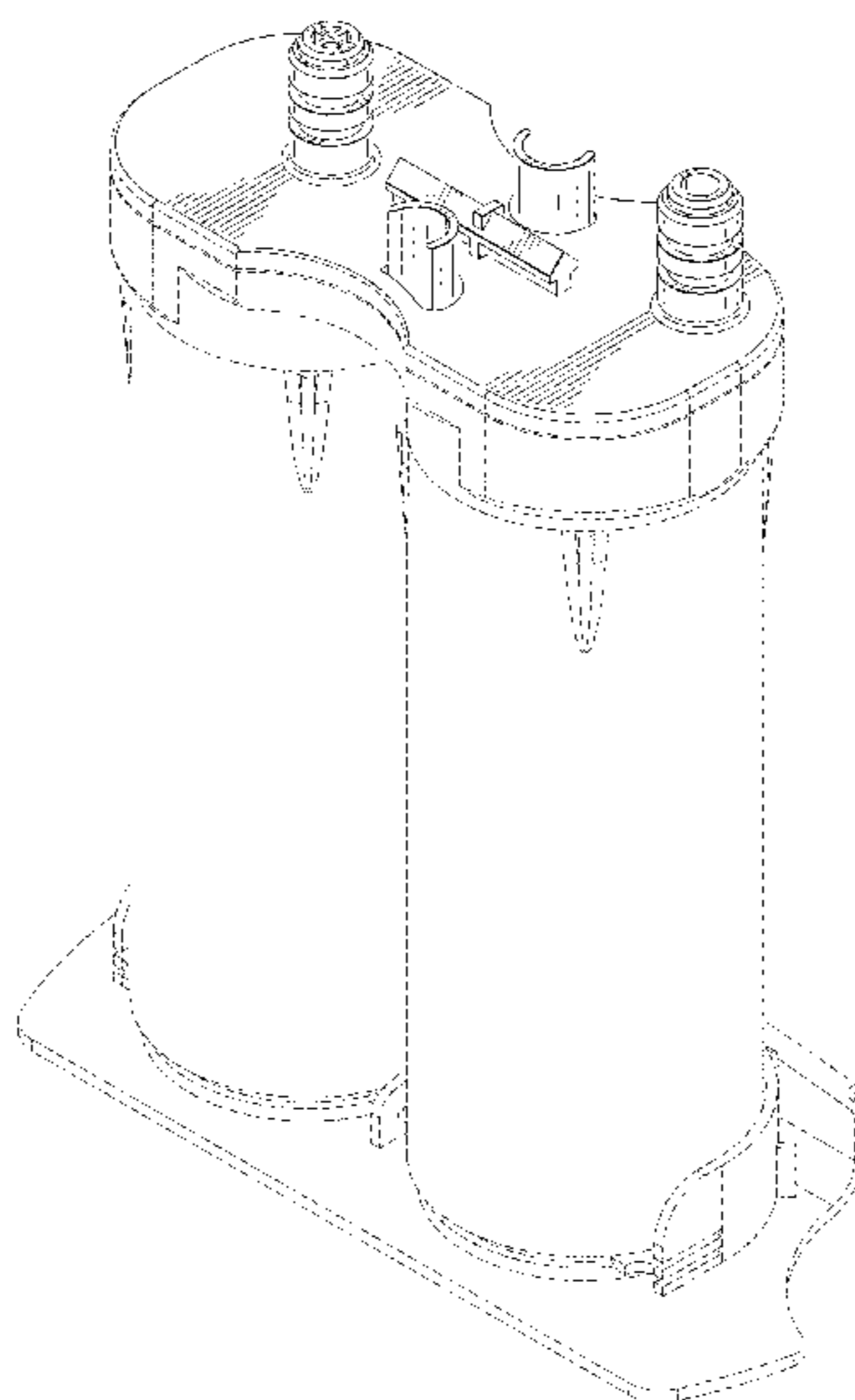
FIG. 4 illustrates a first side view of the fitting section on the implementation of the water filter illustrated in FIG. 1.

FIG. 5 illustrates a second side view of the fitting section on the implementation of the water filter illustrated in FIG. 1; and,

FIG. 6 illustrates a top view of the fitting section of the implementation of the water filter illustrated in FIG. 1.

The broken lines, when present in the drawings, represent portions of the water filter. The broken lines are for the purpose of illustrating the environment of the design and form no part of the claimed design. The surface shading lines, when present in the drawings, show contour and/or distinguish between open and solid areas. The surface shading lines are not surface ornamentation. The design is not limited to the scale shown herein.

**1 Claim, 5 Drawing Sheets**



(56)

**References Cited**

U.S. PATENT DOCUMENTS

D546,412	S	7/2007	Kennedy et al.	
D547,825	S	7/2007	Kennedy et al.	
7,238,278	B2	7/2007	Coffey et al.	
D548,306	S	8/2007	Kennedy et al.	
7,387,725	B2	6/2008	Choi et al.	
7,407,148	B2	8/2008	Bassett et al.	
D599,880	S	9/2009	Rampen et al.	
7,610,932	B2	11/2009	Olson et al.	
D621,001	S	8/2010	Maziel et al.	
7,828,154	B2 *	11/2010	Ringengerber	..... B01D 35/301 210/232
D636,458	S	4/2011	Born et al.	
D642,657	S	8/2011	Cumberland et al.	
D642,658	S	8/2011	Cumberland et al.	
7,988,853	B2	8/2011	Tsai	
D645,935	S	9/2011	Kulikov et al.	
D650,886	S	12/2011	Bridges et al.	
D656,578	S	3/2012	Sherman et al.	
D656,579	S	3/2012	Sherman et al.	
D656,580	S	3/2012	Sherman et al.	
8,173,018	B2	5/2012	Burr et al.	
D673,242	S	12/2012	Rowe	
8,354,024	B2	1/2013	Ihle et al.	
D679,779	S	4/2013	Reid	
8,562,831	B2	10/2013	Bors et al.	
D698,005	S	1/2014	Rowe	
D702,318	S	4/2014	Stanley et al.	

D708,749	S	7/2014	Appling et al.
D712,007	S	8/2014	Reid
8,844,307	B2	9/2014	Krause et al.
D733,871	S	7/2015	Wilcox et al.
2004/0129624	A1	7/2004	Hamlin et al.
2010/0275633	A1	11/2010	An et al.
2013/0168303	A1	7/2013	Appling et al.
2014/0217003	A1	8/2014	Huda et al.

OTHER PUBLICATIONS

Photos of General Electric water filter for a refrigerator, 3 pages, date unknown.

Photos of Whirlpool water filter for a refrigerator, 3 pages, date unknown.

U.S. Appl. No. 29/503,738 entitled "Water Filter Fittings" filed Sep. 29, 2014.

U.S. Appl. No. 29/521,968 entitled "Water Filter Fitting" filed Mar. 26, 2015.

U.S. Appl. No. 29/501,589 entitled "Interchangeable Water Filter Bases or Portion" filed Sep. 5, 2014.

U.S. Appl. No. 29/521,987 entitled "Fitting Section of a Water Filter" filed Mar. 26, 2015.

U.S. Appl. No. 29/536,380 entitled "Water Filter Fitting Section" filed Aug. 17, 2015.

U.S. Appl. No. 29/536,443 entitled "Water Filter Fitting" filed Aug. 17, 2015.

\* cited by examiner

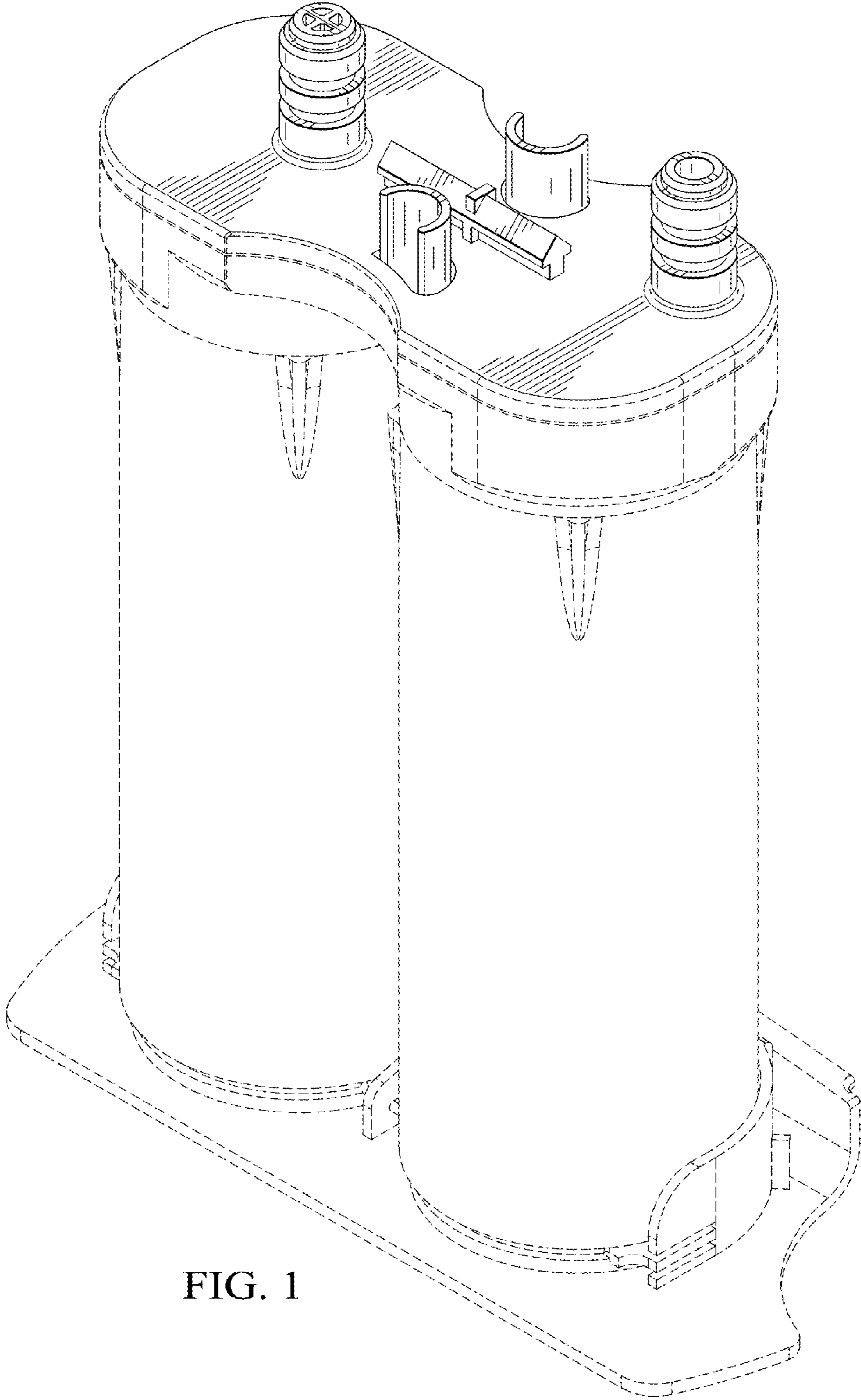


FIG. 1

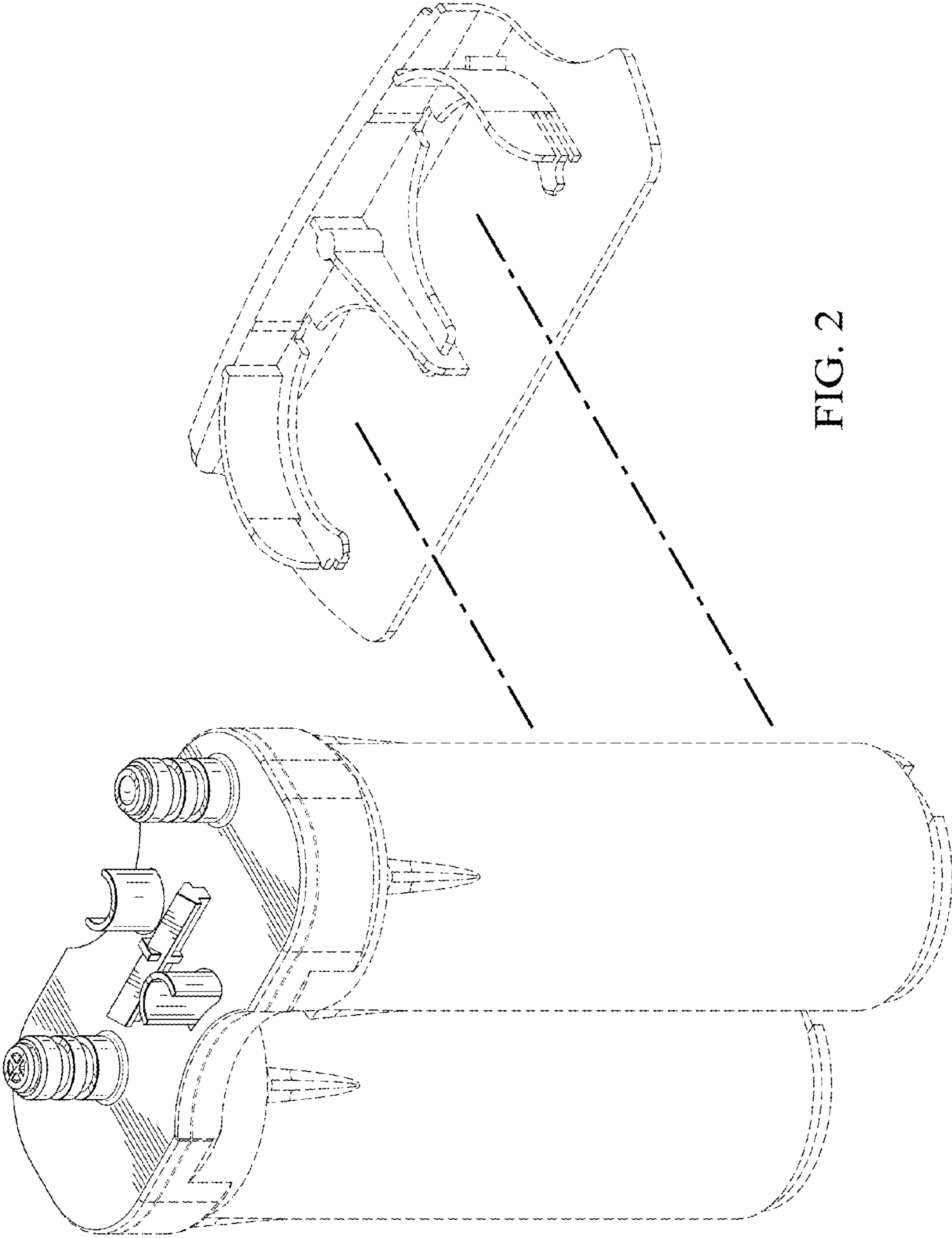


FIG. 2

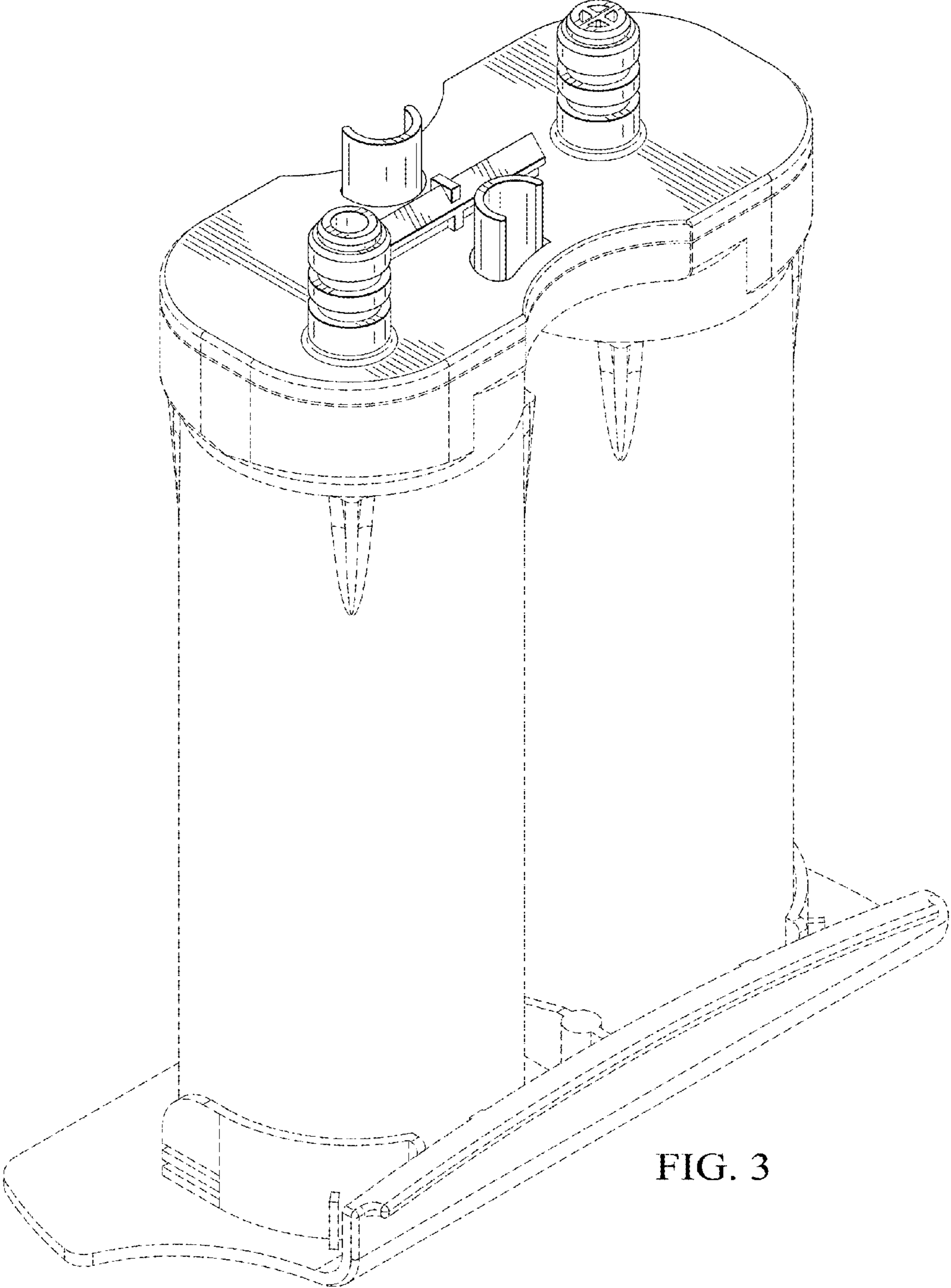


FIG. 3

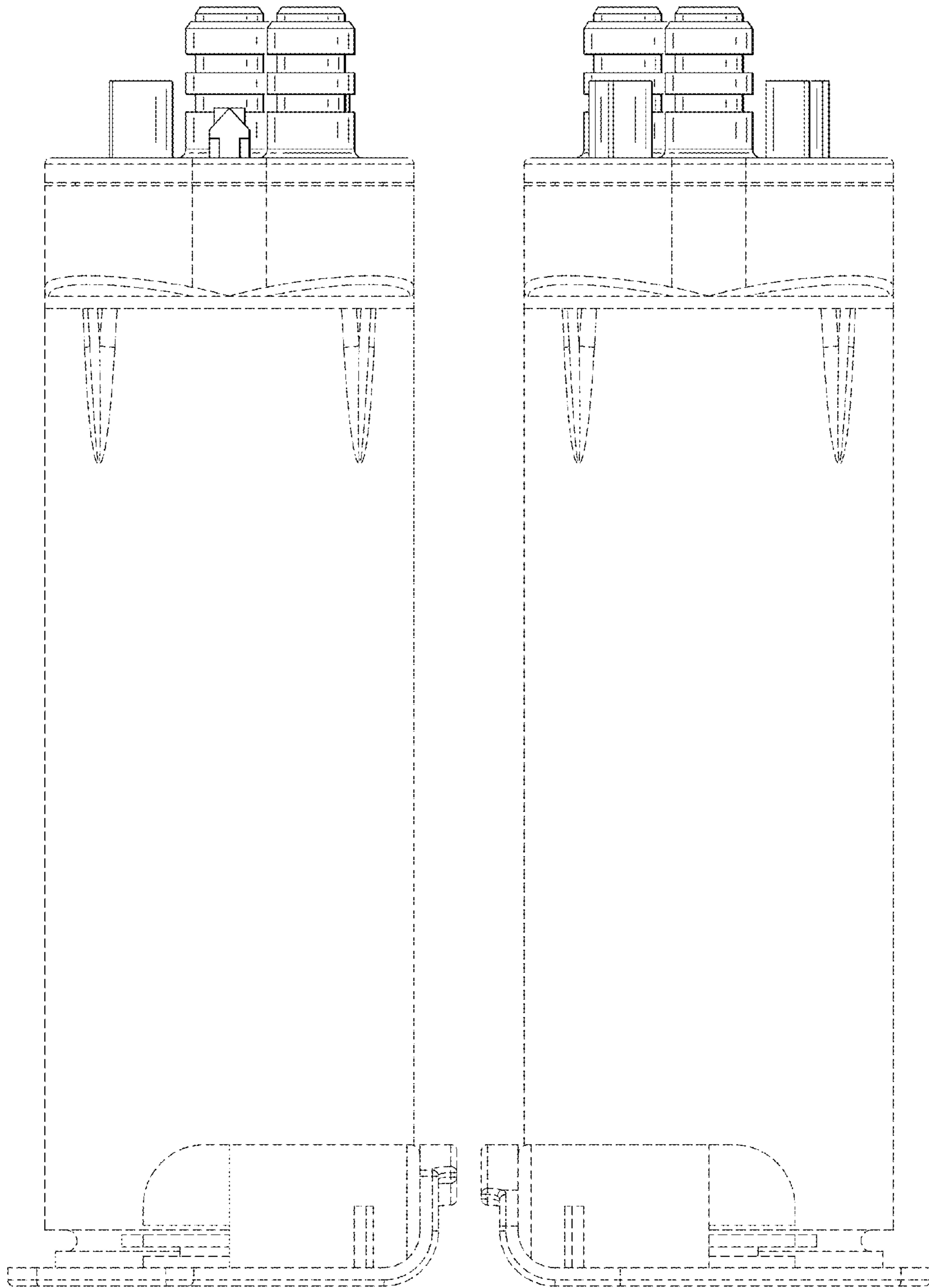


FIG. 4

FIG. 5

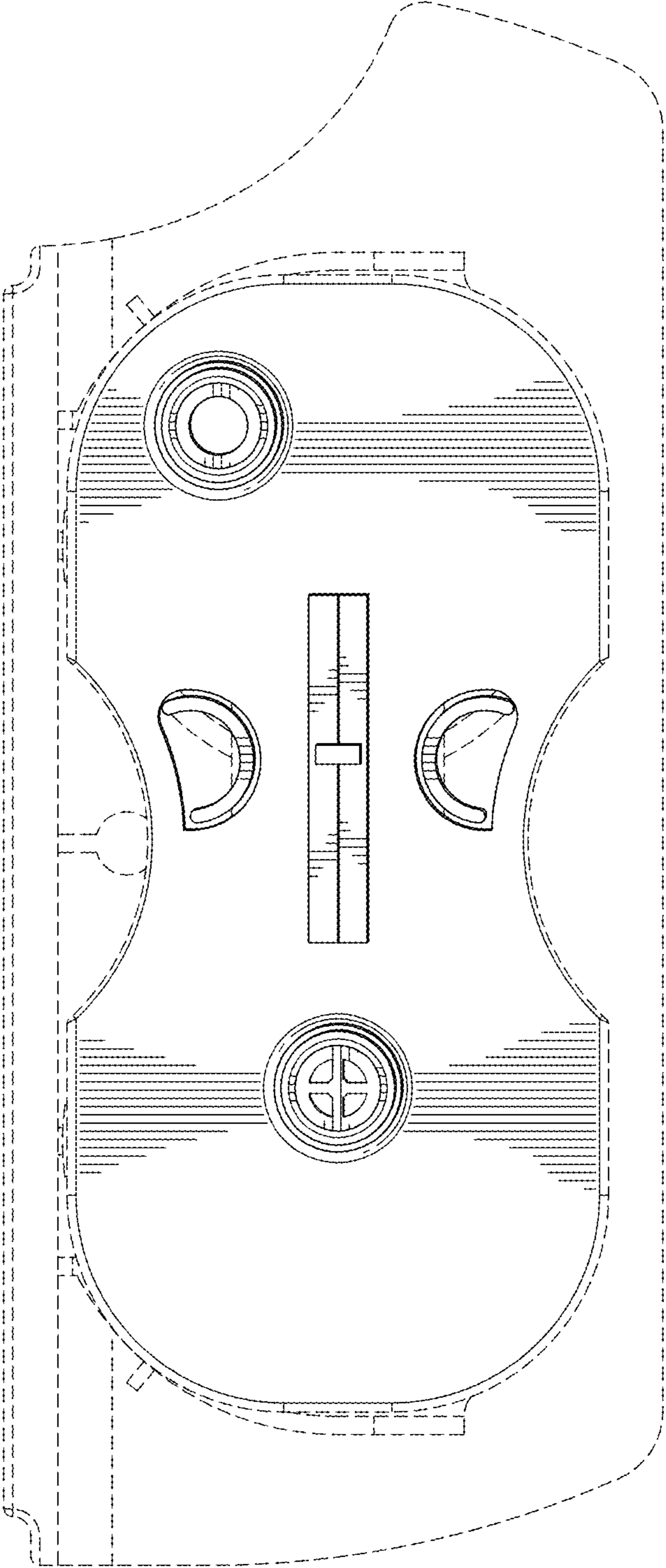


FIG. 6