

US00D762811S

(12) **United States Design Patent**
Natale et al.

(10) **Patent No.:** **US D762,811 S**
(45) **Date of Patent:** **** Aug. 2, 2016**

- (54) **DIVERTER PLATE**
- (71) Applicant: **EMD Millipore Corporation**, Billerica, MA (US)
- (72) Inventors: **Matthew Natale**, Billerica, MA (US);
Brian Hillier, Billerica, MA (US)
- (73) Assignee: **EMD Millipore Corporation**, Billerica, MA (US)
- (**) Term: **14 Years**
- (21) Appl. No.: **29/512,358**
- (22) Filed: **Dec. 18, 2014**
- (51) **LOC (10) Cl.** **23-01**
- (52) **U.S. Cl.**
USPC **D23/209**
- (58) **Field of Classification Search**
USPC D23/207, 209; 210/321.75, 321.84,
210/323.1
CPC B01D 63/082
See application file for complete search history.

9,133,433 B2 9/2015 Vogel et al.
D741,983 S * 10/2015 Mueller D23/209
2008/0135500 A1 6/2008 Gagnon et al.
2012/0168368 A1 7/2012 de los Reyes

FOREIGN PATENT DOCUMENTS

WO 2007076496 7/2007

OTHER PUBLICATIONS

van Reis, R. et al., "Linear Scale Ultrafiltration," *Biotechnology and Bioengineering*, 55(5): 737-746 (Sep. 1997).

* cited by examiner

Primary Examiner — Robin V Webster

(74) *Attorney, Agent, or Firm* — Hamilton, Brook, Smith & Reynolds, P.C.

(57) **CLAIM**

The ornamental design for a diverter plate, as shown and described.

DESCRIPTION

FIG. 1 is a front view of the diverter plate in the present invention.

FIG. 2 is a rear view thereof.

FIG. 3 is a top view thereof.

FIG. 4 is a bottom view thereof.

FIG. 5 is a right side view thereof.

FIG. 6 is a left side view thereof.

FIG. 7 is a front upper side perspective view thereof; and,

FIG. 8 is a rear lower side perspective view thereof.

The view labels used herein to denote front, back, top, bottom and side views are for convenience only and should not be interpreted as limiting the orientation of the diverter plate.

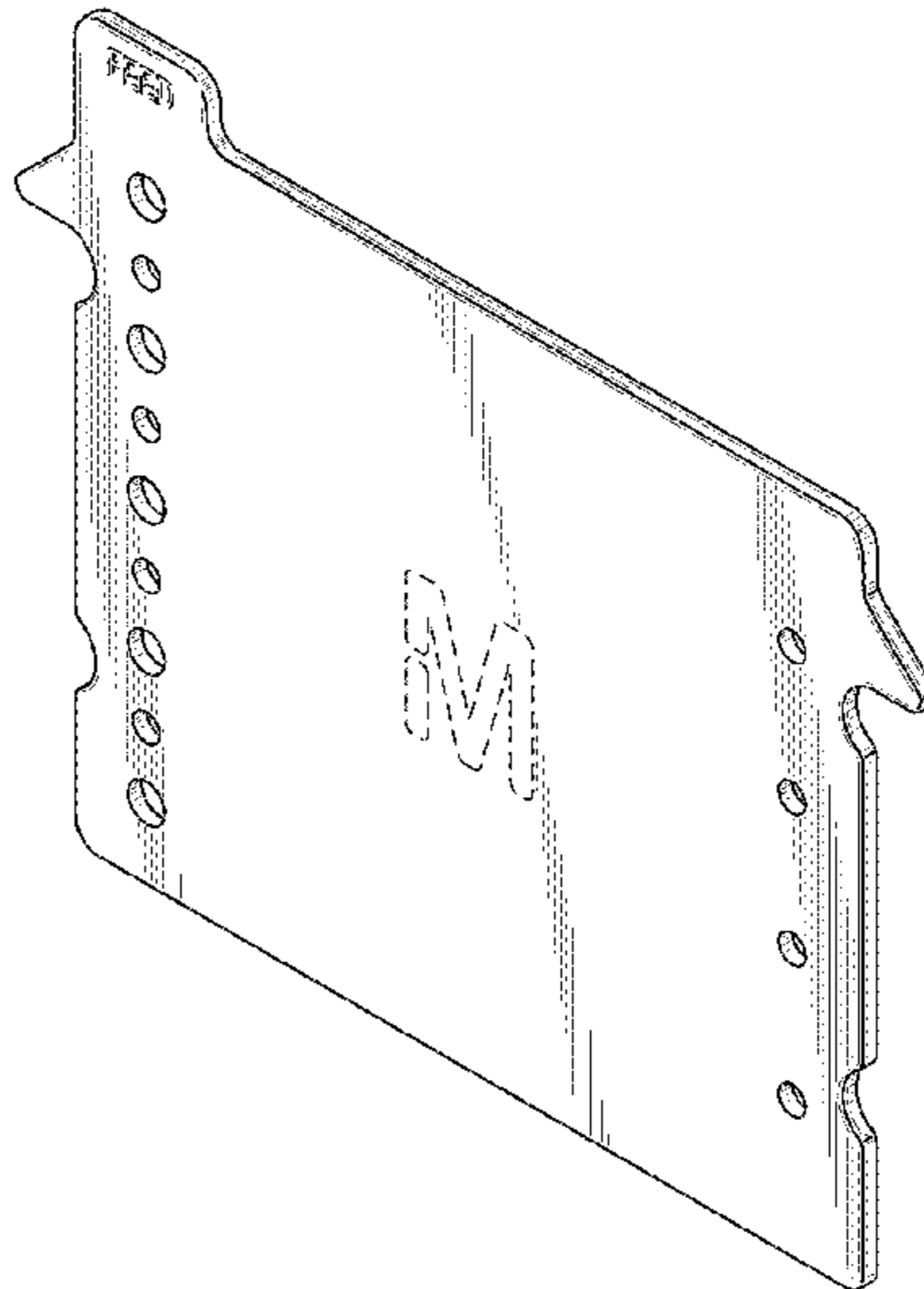
The broken lines in the Figures are for illustrative purposes only, and form no part of the claimed design.

1 Claim, 4 Drawing Sheets

(56) **References Cited**

U.S. PATENT DOCUMENTS

- 3,540,595 A * 11/1970 Edwards B01D 61/28
210/321.72
- 4,956,085 A * 9/1990 Kopf B01D 63/082
210/231
- D325,070 S * 3/1992 Kopf D23/209
- D327,313 S * 6/1992 Kopf D23/209
- 5,147,542 A 9/1992 Proulx
- D357,059 S * 4/1995 Kopf D23/209
- 5,599,447 A * 2/1997 Pearl B01D 63/082
210/321.75
- 7,959,805 B2 6/2011 Chisolm et al.
- D651,280 S * 12/2011 Okawa D23/209
- D655,780 S * 3/2012 Honda D23/209
- 8,506,802 B1 8/2013 de los Reyes
- D729,897 S * 5/2015 Ledbetter D23/200



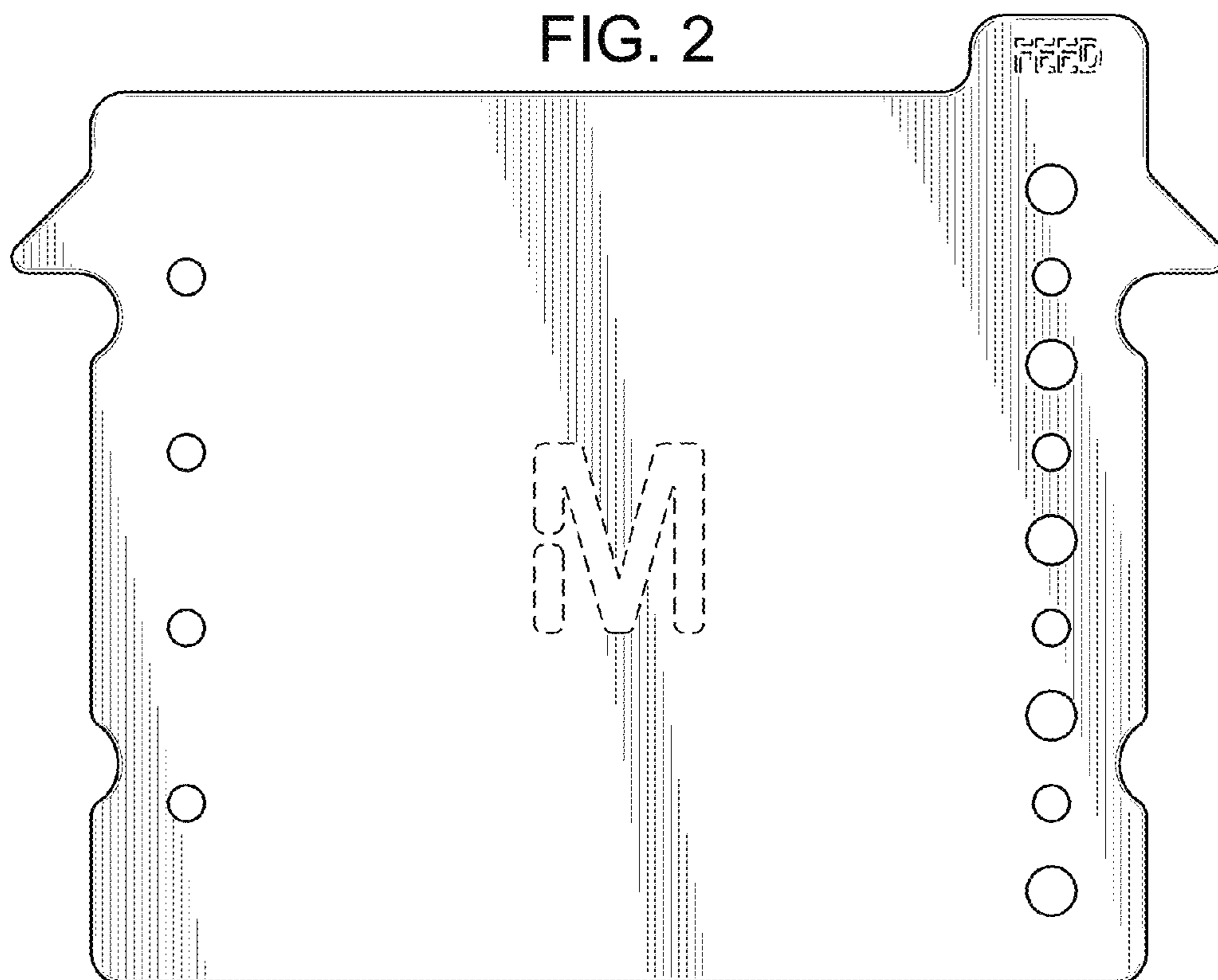
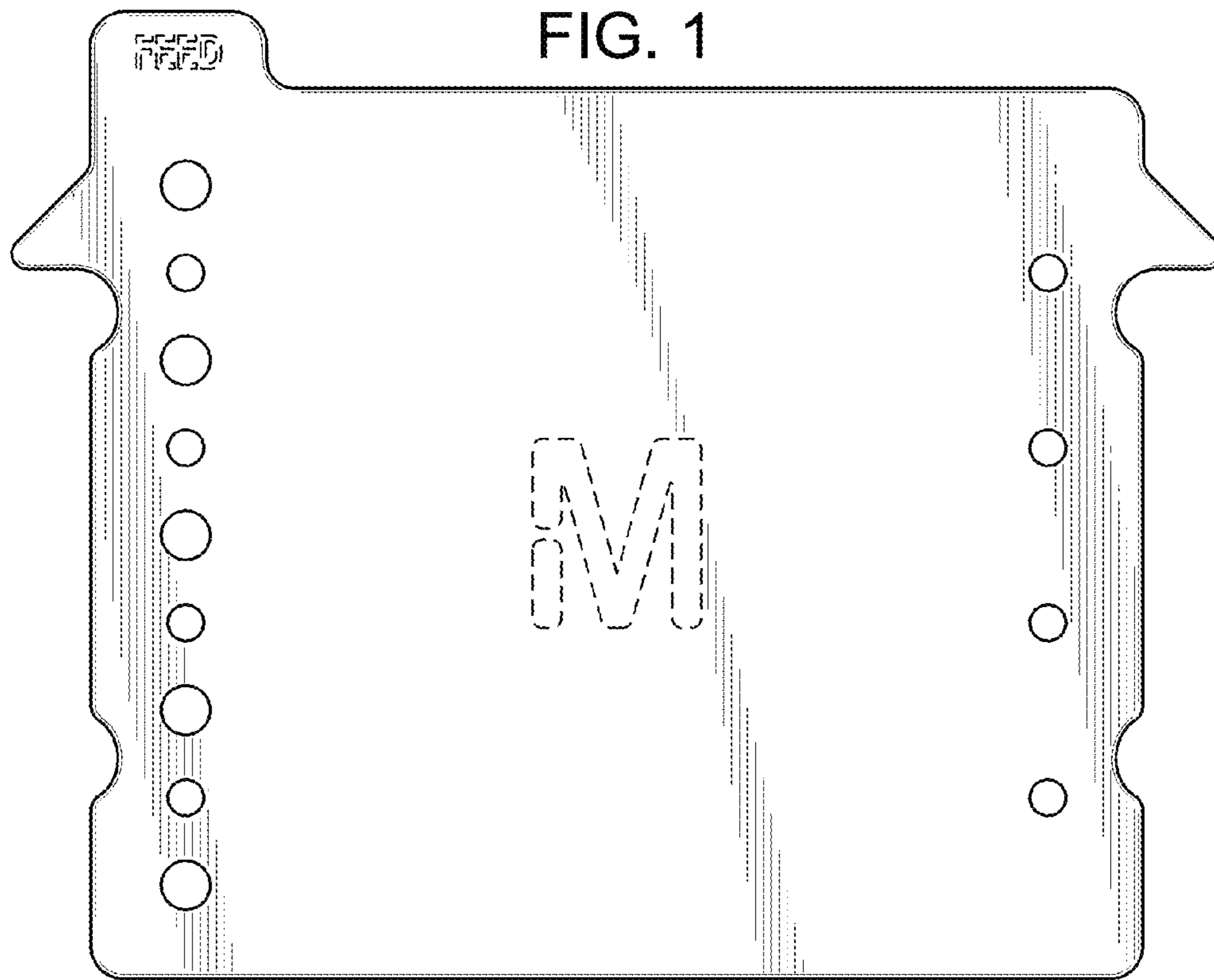




FIG. 3

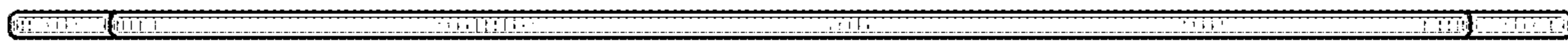


FIG. 4



FIG. 5

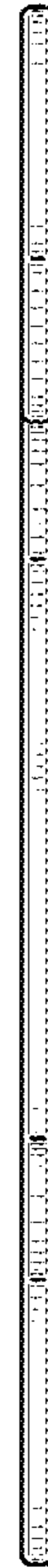


FIG. 6

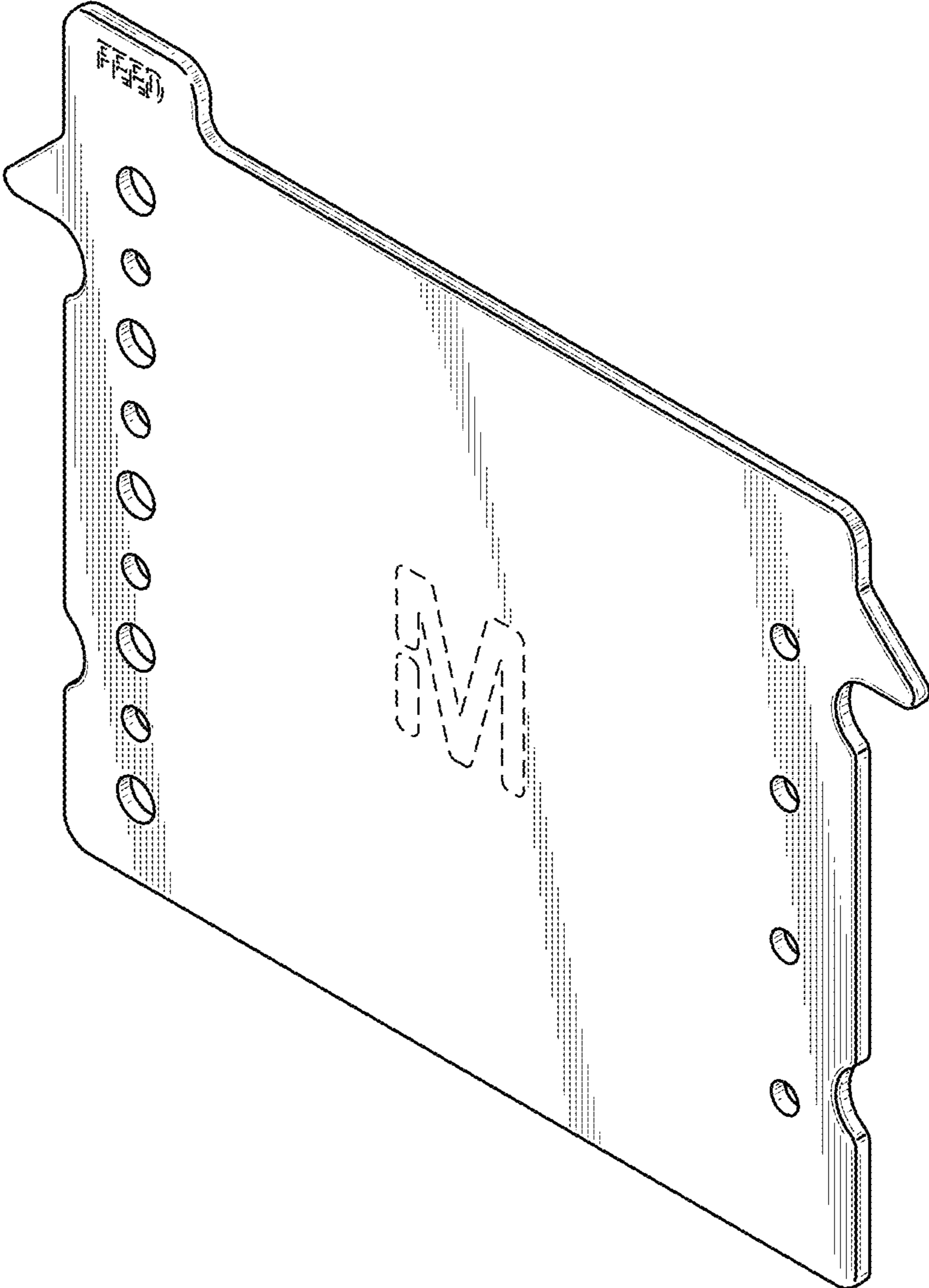


FIG. 7

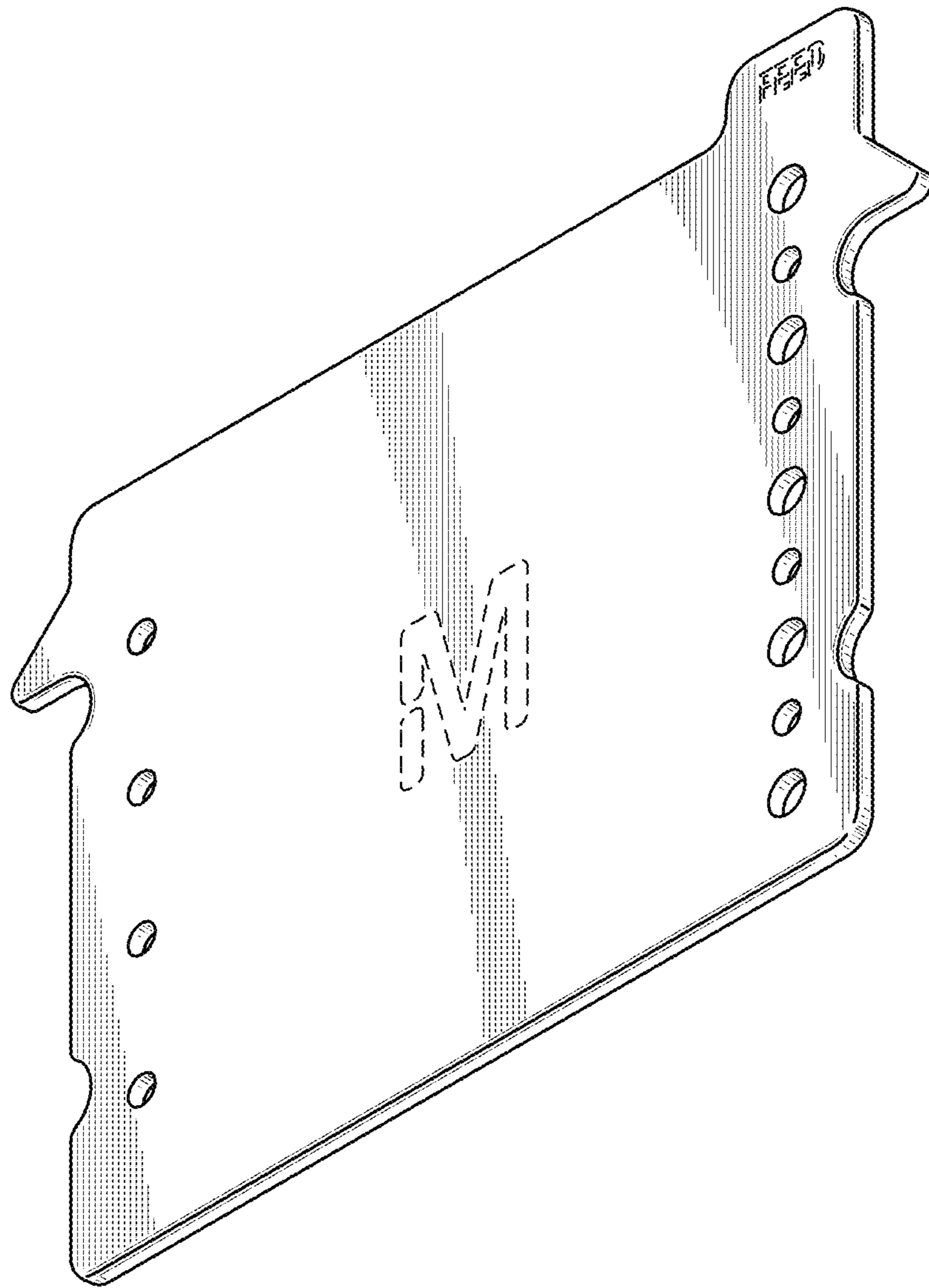


FIG. 8