

US00D762809S

(12) **United States Design Patent**  
**Kim**

(10) **Patent No.:** **US D762,809 S**  
(45) **Date of Patent:** **\*\* Aug. 2, 2016**

(54) **ION WATER PURIFIER**  
(71) Applicant: **KYK Co., Ltd.**, Seongnam-si (KR)  
(72) Inventor: **Young Kwi Kim**, Seongnam-si (KR)  
(73) Assignee: **KYK Co., Ltd.**, Seongnam-si (KR)

D596,702 S \* 7/2009 Chen ..... D23/207  
D618,301 S \* 6/2010 Cho ..... D23/207  
D637,689 S \* 5/2011 Hong ..... D23/207  
D673,241 S \* 12/2012 Choi ..... D23/207  
D678,979 S \* 3/2013 Liu ..... D23/207  
D682,387 S \* 5/2013 Tseng ..... D23/207  
D730,484 S \* 5/2015 Kim ..... D23/207

(\*\*) Term: **14 Years**

\* cited by examiner

(21) Appl. No.: **29/521,315**

*Primary Examiner* — Robin V Webster

(22) Filed: **Mar. 23, 2015**

(74) *Attorney, Agent, or Firm* — The Webb Law Firm

(30) **Foreign Application Priority Data**

Sep. 23, 2014 (KR) ..... 30-2014-0045992

(51) **LOC (10) Cl.** ..... **23-01**

(52) **U.S. Cl.**  
USPC ..... **D23/207**

(58) **Field of Classification Search**  
USPC ..... D23/207, 209; D7/306, 304; 210/241,  
210/244, 435, 232, 282  
See application file for complete search history.

(56) **References Cited**

**U.S. PATENT DOCUMENTS**

D412,552 S \* 8/1999 Burrows ..... D23/209  
D575,844 S \* 8/2008 Park ..... D23/207

(57) **CLAIM**

The ornamental design for an ion water purifier, as shown and described.

**DESCRIPTION**

FIG. 1 is a perspective view of an ion water purifier, showing my new design;  
FIG. 2 is a front view thereof;  
FIG. 3 is a rear view thereof;  
FIG. 4 is a left side view thereof;  
FIG. 5 is a right side view thereof;  
FIG. 6 is a top view thereof;  
FIG. 7 is a bottom view thereof; and,  
FIG. 8 is perspective view thereof in an alternate configuration of use.

**1 Claim, 7 Drawing Sheets**

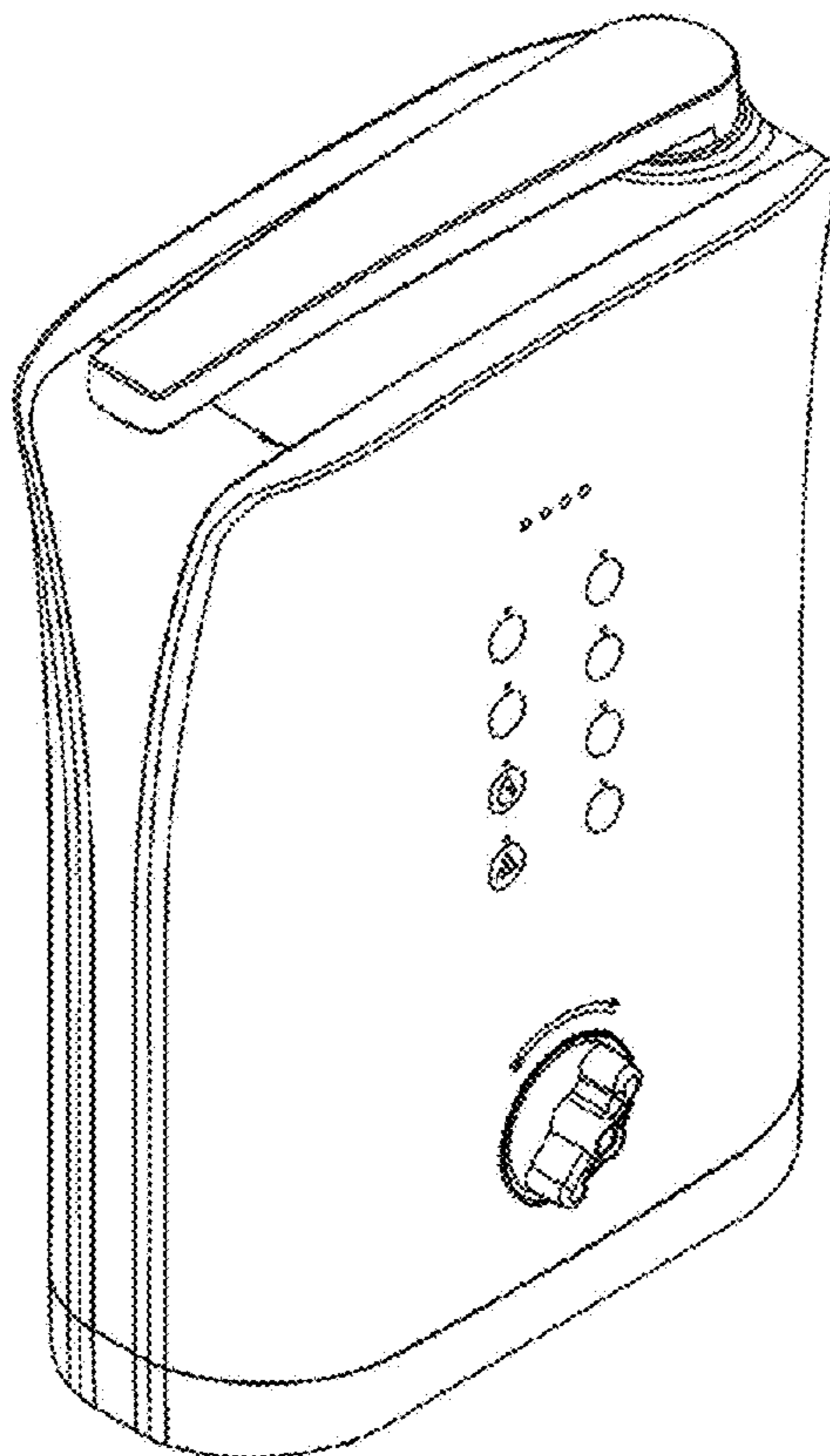


Fig. 1

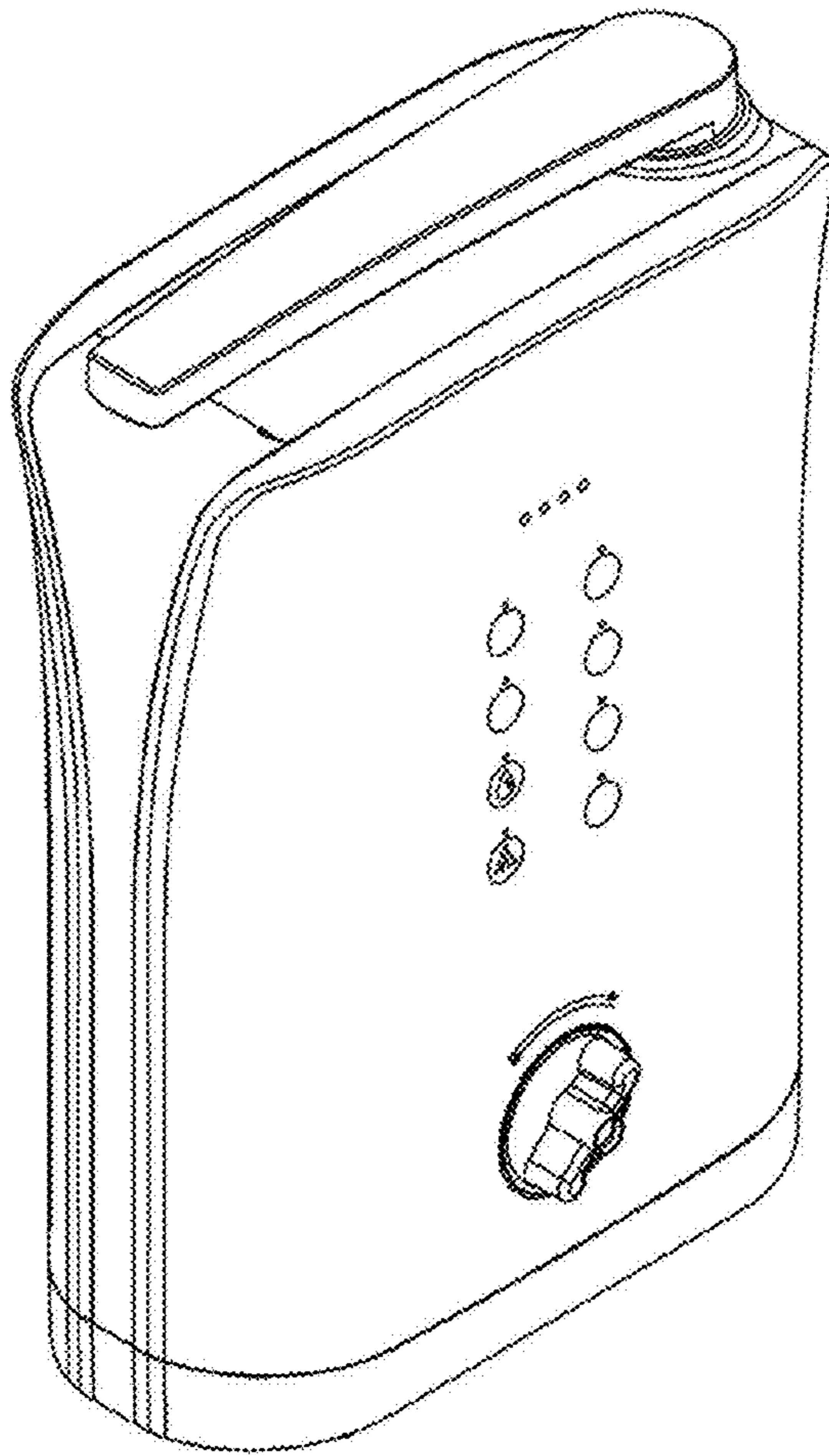


Fig. 2

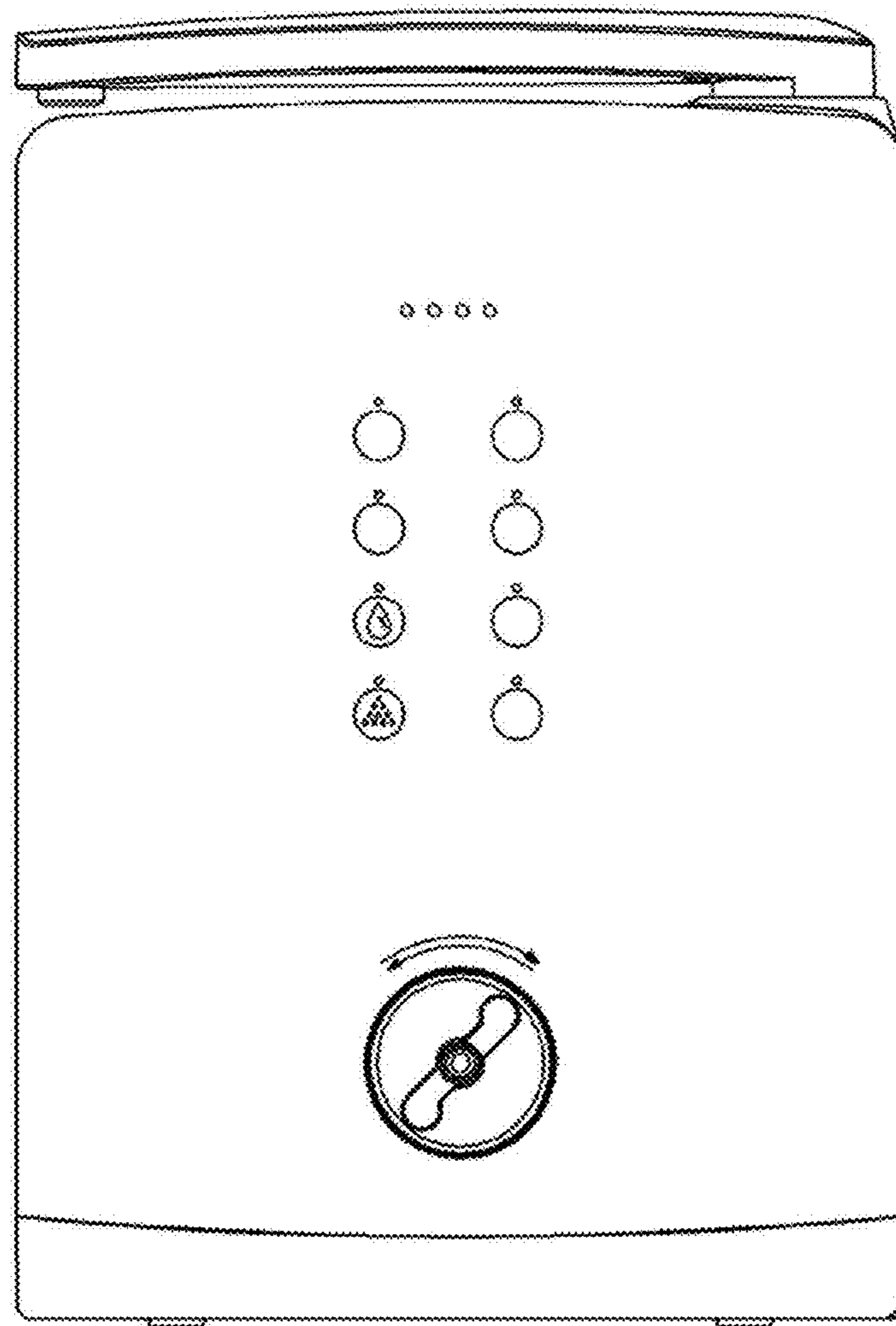


Fig. 3

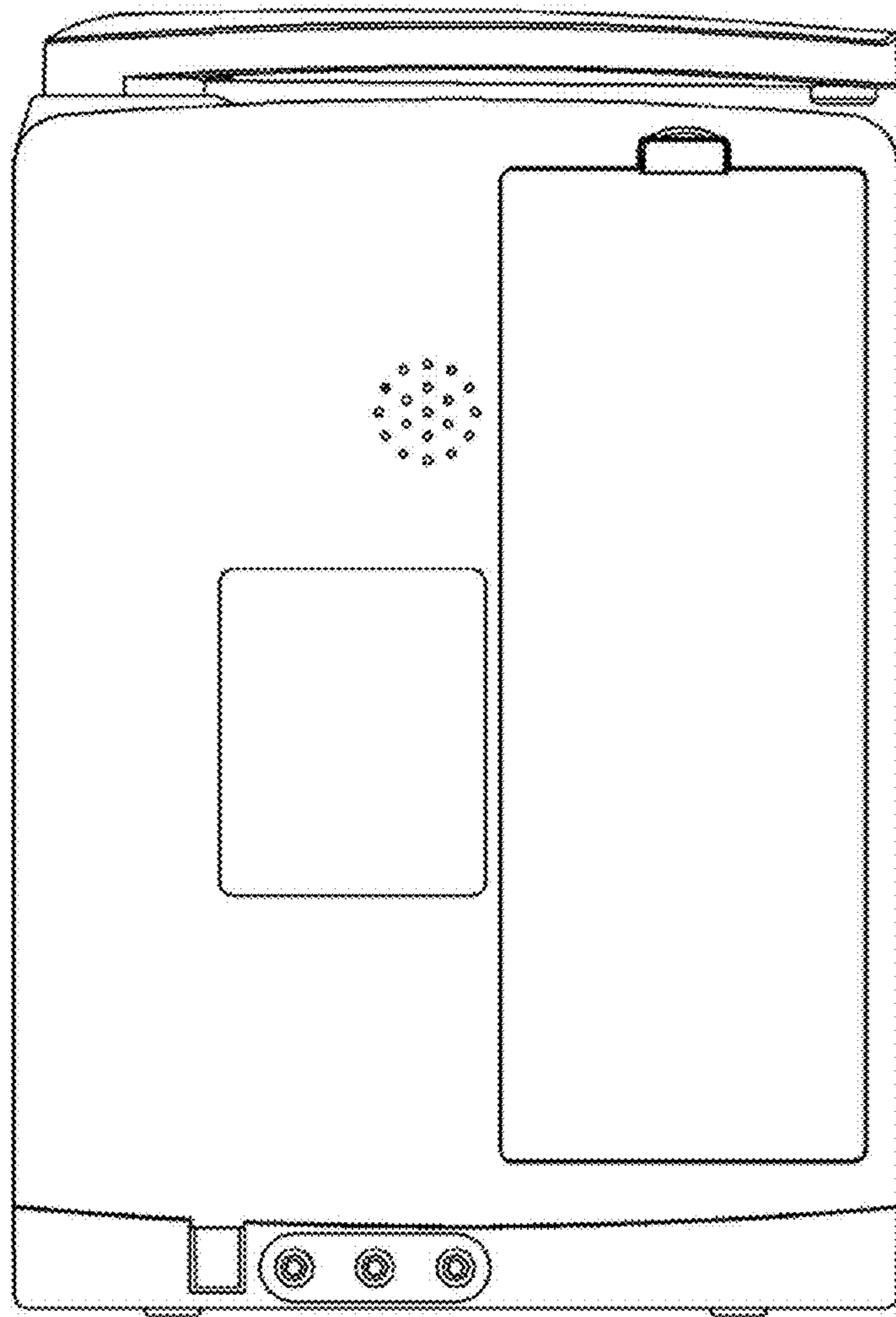


Fig. 4

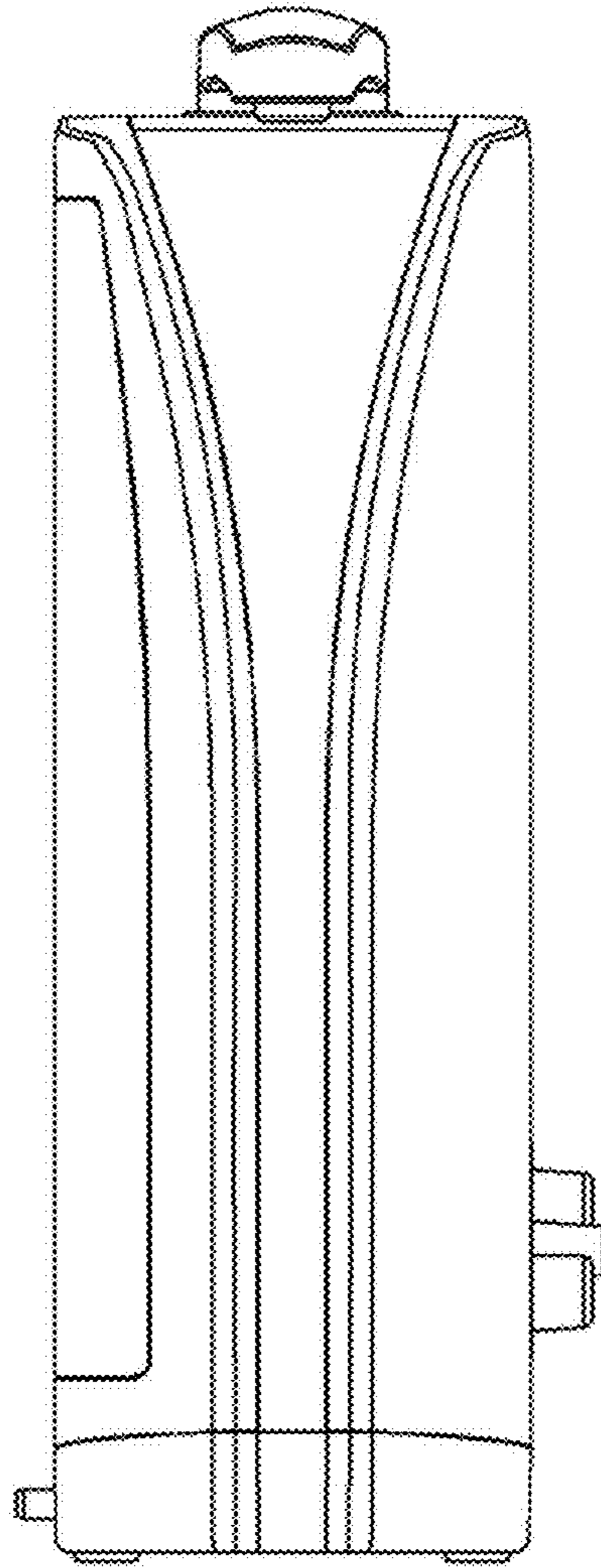


Fig. 5

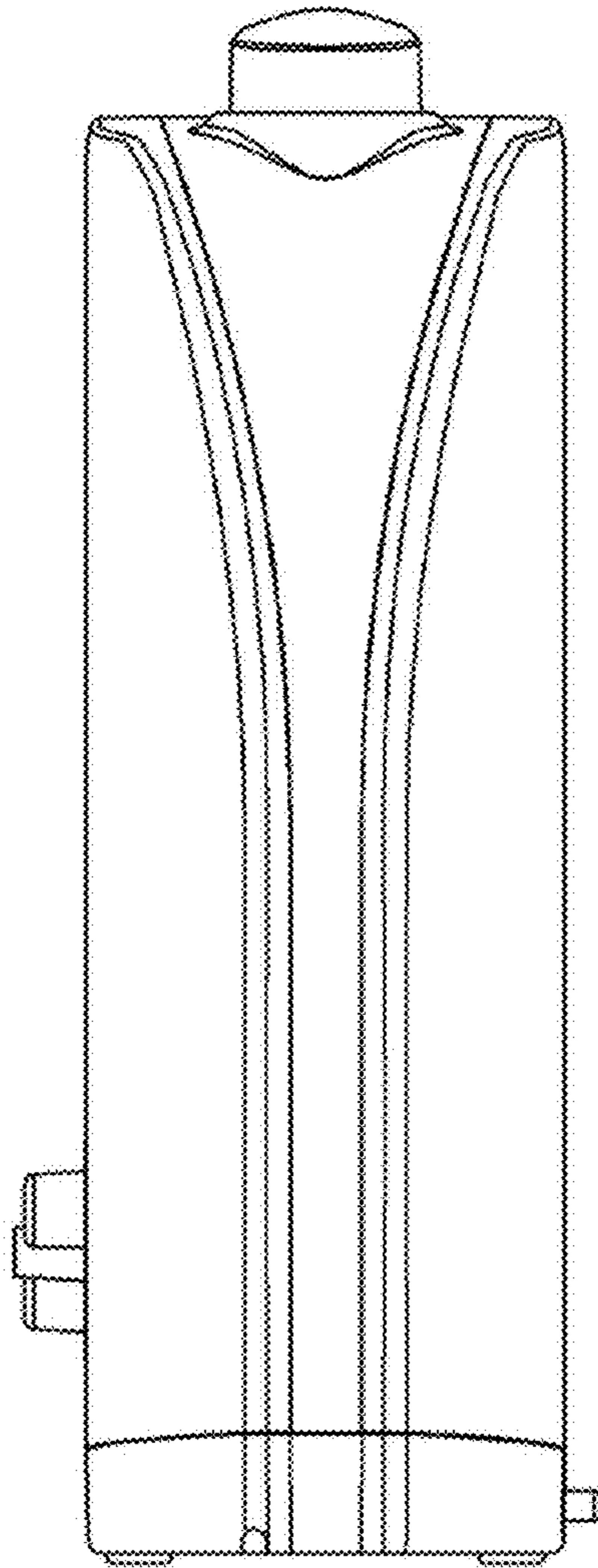


Fig. 6

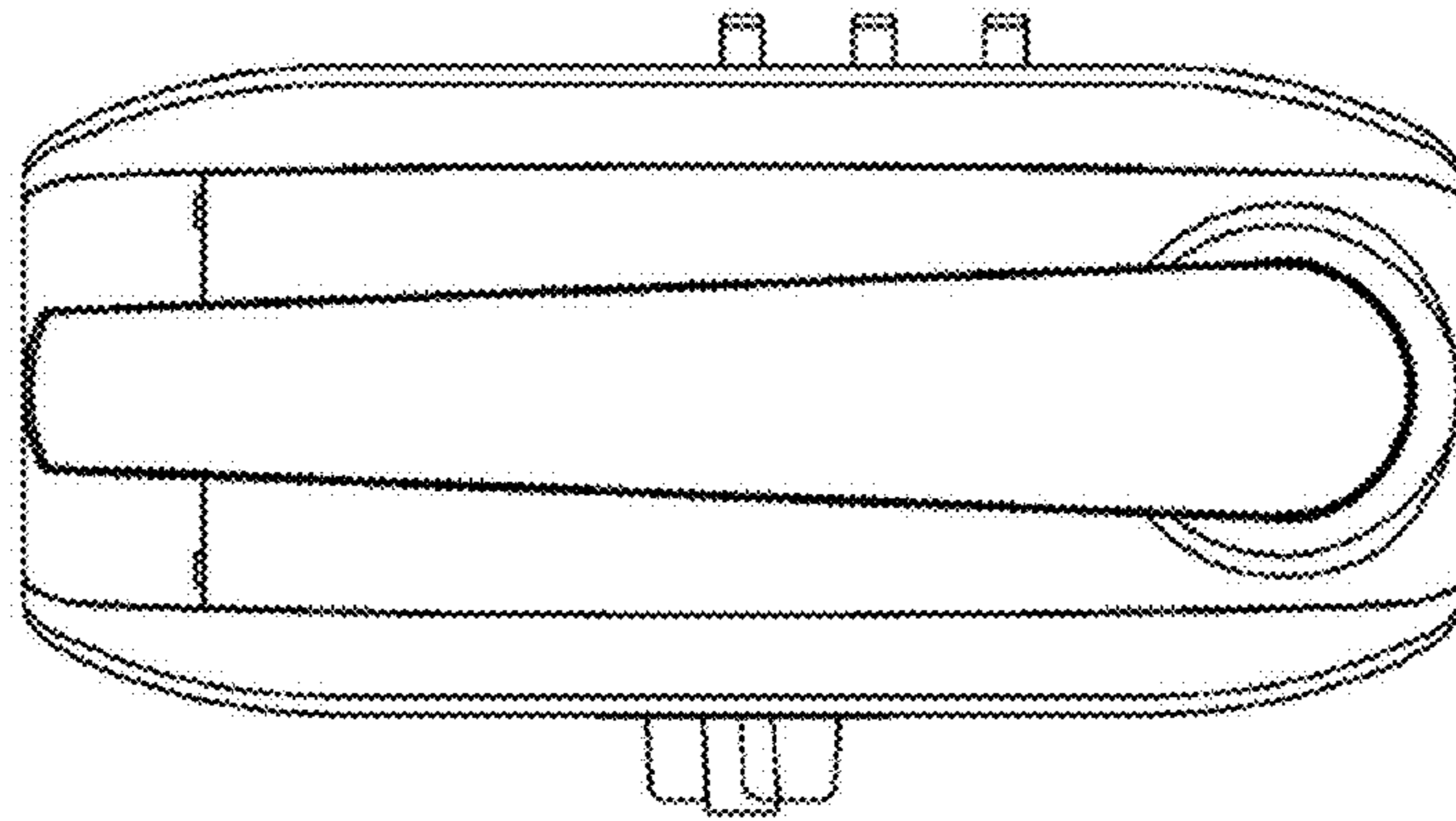


Fig. 7

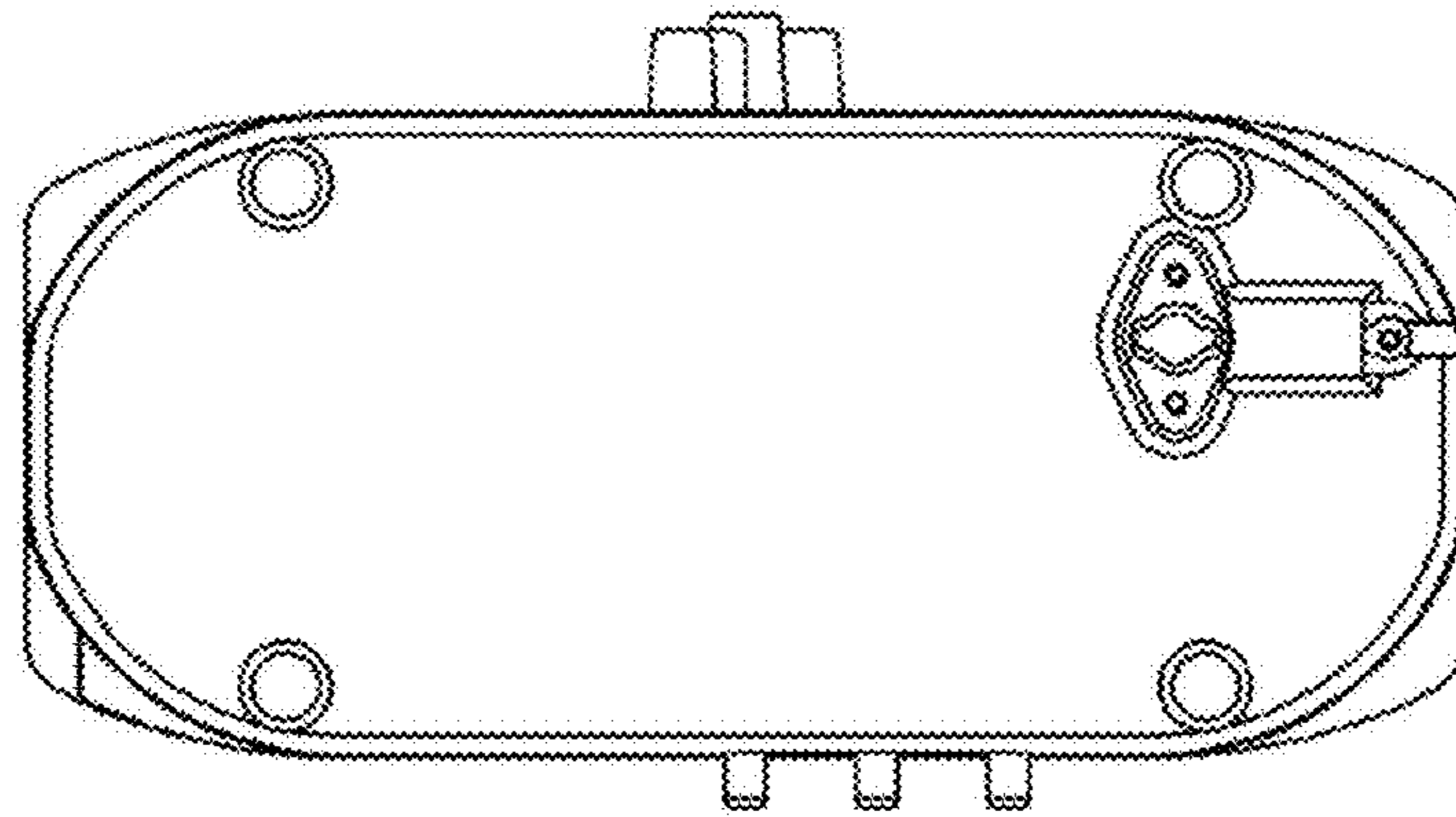


Fig. 8

