



US00D762808S

(12) **United States Design Patent**
Lee

(10) **Patent No.:** **US D762,808 S**
(45) **Date of Patent:** **** Aug. 2, 2016**

- (54) **FOUNTAIN**
- (71) Applicant: **Lawrence K. Lee**, Houston, TX (US)
- (72) Inventor: **Lawrence K. Lee**, Houston, TX (US)
- (73) Assignee: **JBL INTERNATIONAL, INC.**,
Houston, TX (US)
- (**) Term: **15 Years**
- (21) Appl. No.: **29/530,198**
- (22) Filed: **Jun. 15, 2015**
- (51) **LOC (10) Cl.** **23-01**
- (52) **U.S. Cl.**
USPC **D23/201**
- (58) **Field of Classification Search**
USPC D23/201; D11/131; 239/17-21
CPC B05B 17/08; B05B 17/085
See application file for complete search history.

- D373,615 S * 9/1996 Crowell D23/201
- D555,755 S * 11/2007 Christensen D23/201
- D557,372 S * 12/2007 Brown D23/201
- D590,042 S * 4/2009 Hoskins D23/201
- D633,173 S * 2/2011 Vinkemulder D23/201

* cited by examiner

Primary Examiner — Robin V Webster

(74) *Attorney, Agent, or Firm* — Egbert Law Offices, PLLC

(57) **CLAIM**

The ornamental design for a fountain, as shown and described.

DESCRIPTION

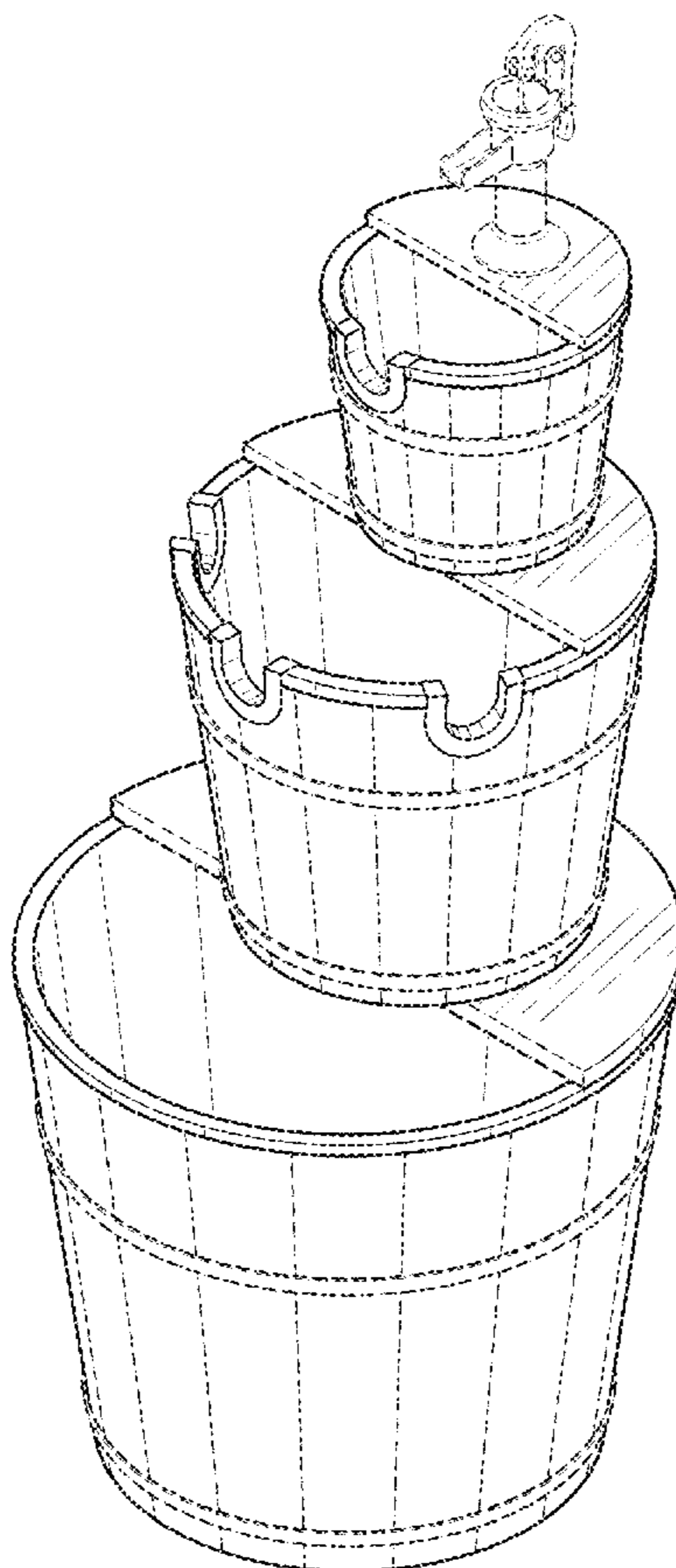
FIG. 1 is a perspective view of a fountain showing my new design.
 FIG. 2 is a front view thereof;
 FIG. 3 is a rear view thereof;
 FIG. 4 is a side view thereof;
 FIG. 5 is an opposite side view thereof;
 FIG. 6 is a top view thereof; and,
 FIG. 7 is a bottom view thereof.
 The features presented in broken lines are for environmental purposes only and form no part of the claimed design.

(56) **References Cited**

U.S. PATENT DOCUMENTS

- D63,165 S * 10/1923 Ziniker D11/144
- 4,281,794 A * 8/1981 Dimino B05B 17/08
239/20

1 Claim, 3 Drawing Sheets



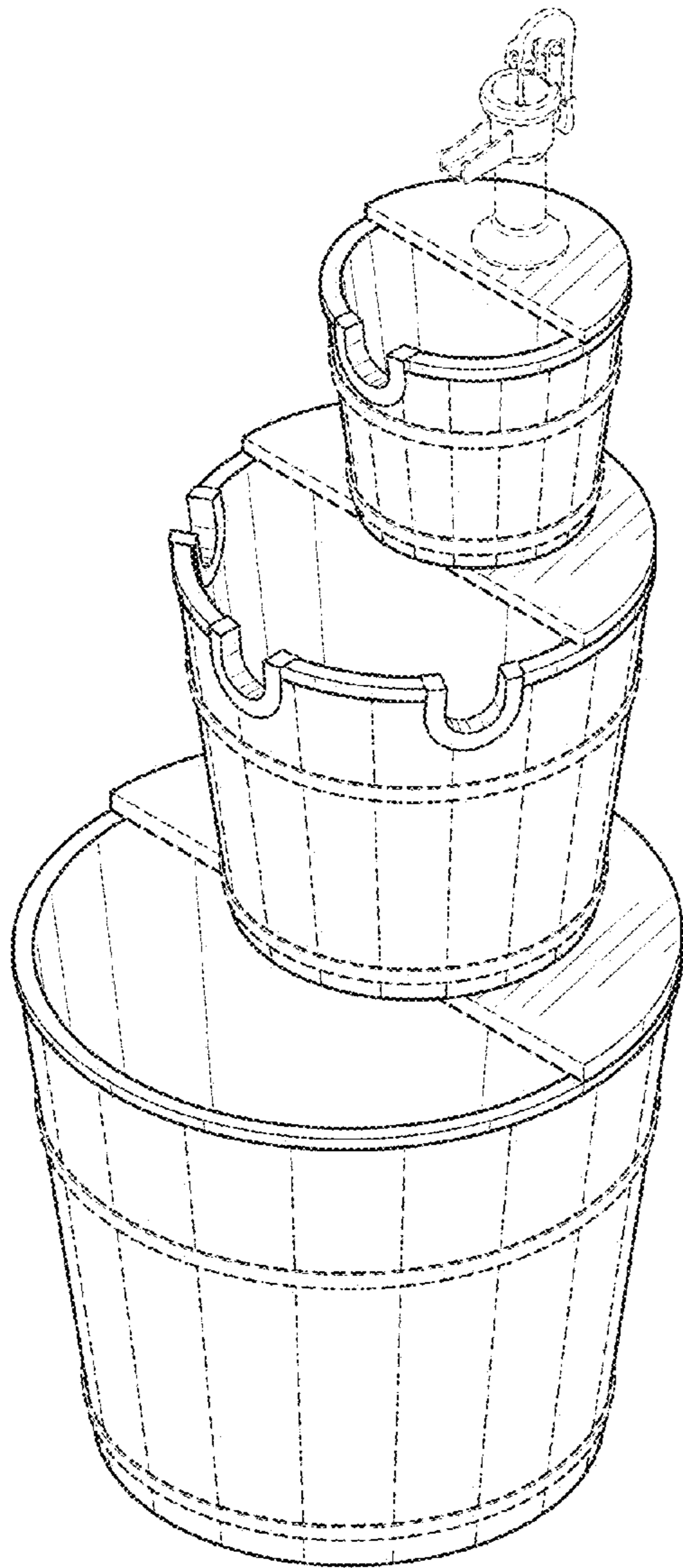


FIG. 1

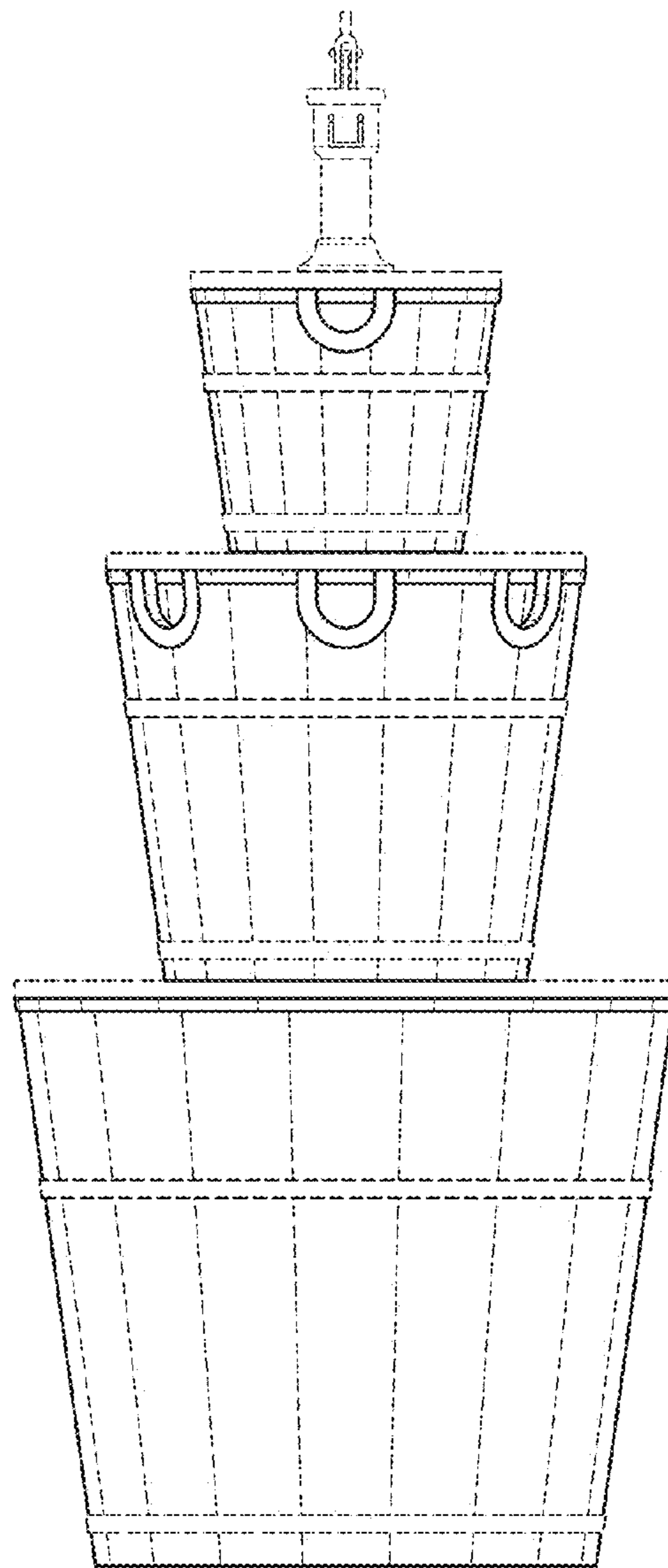


FIG. 2

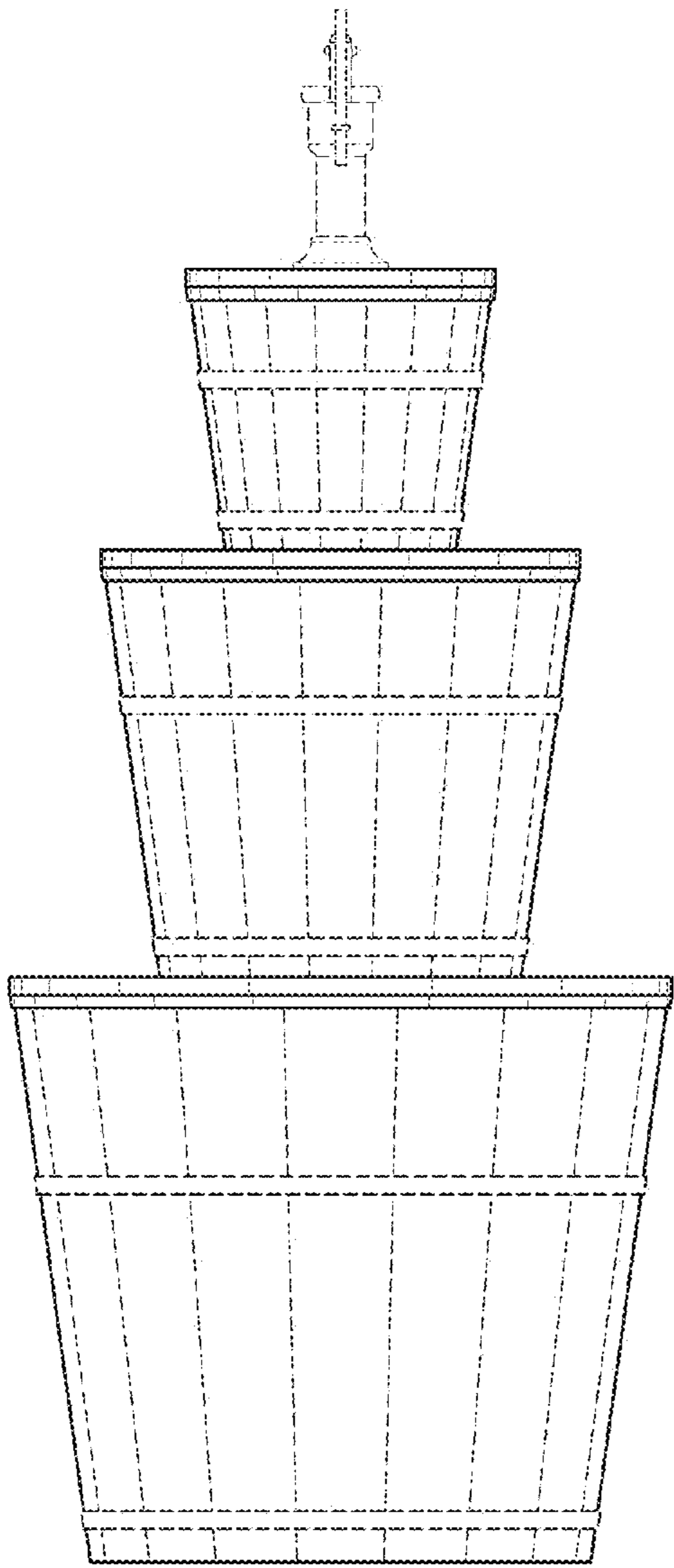


FIG. 3

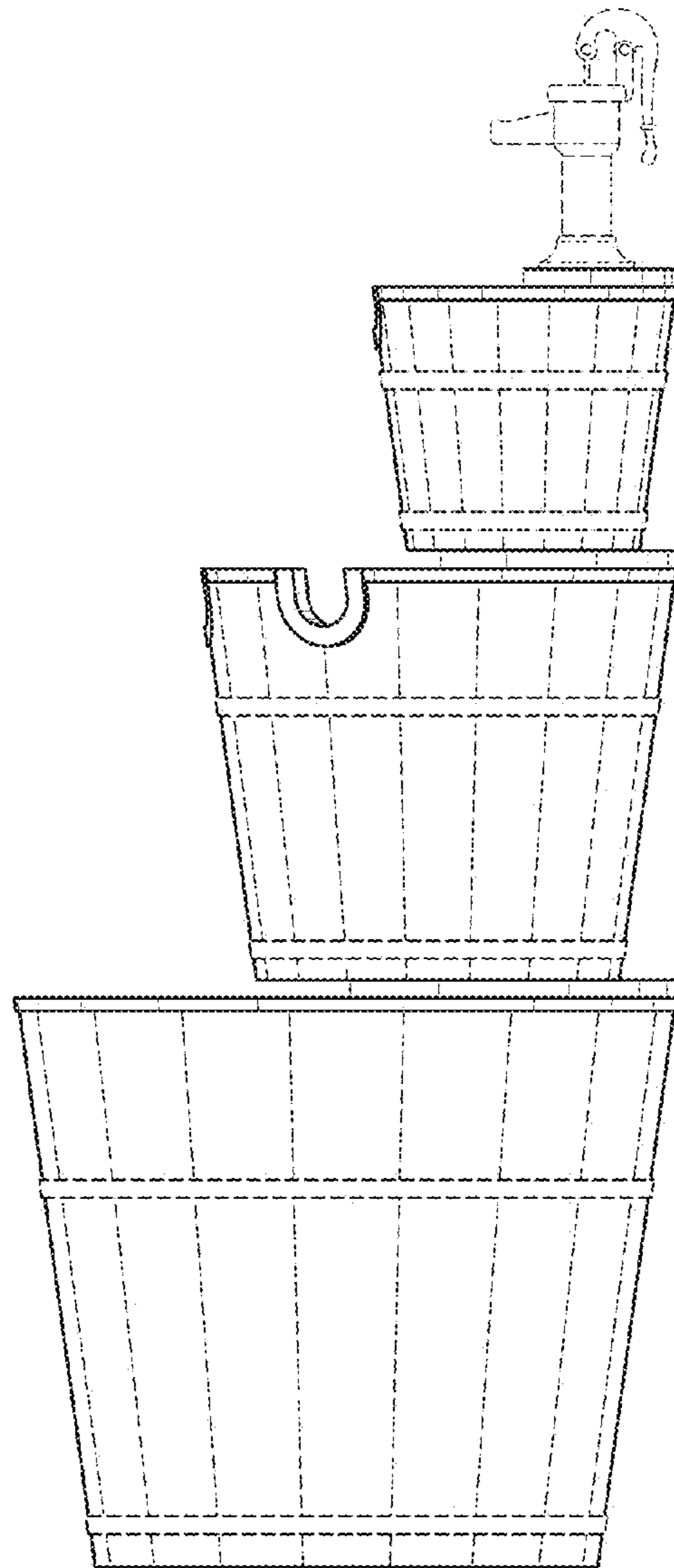


FIG. 4

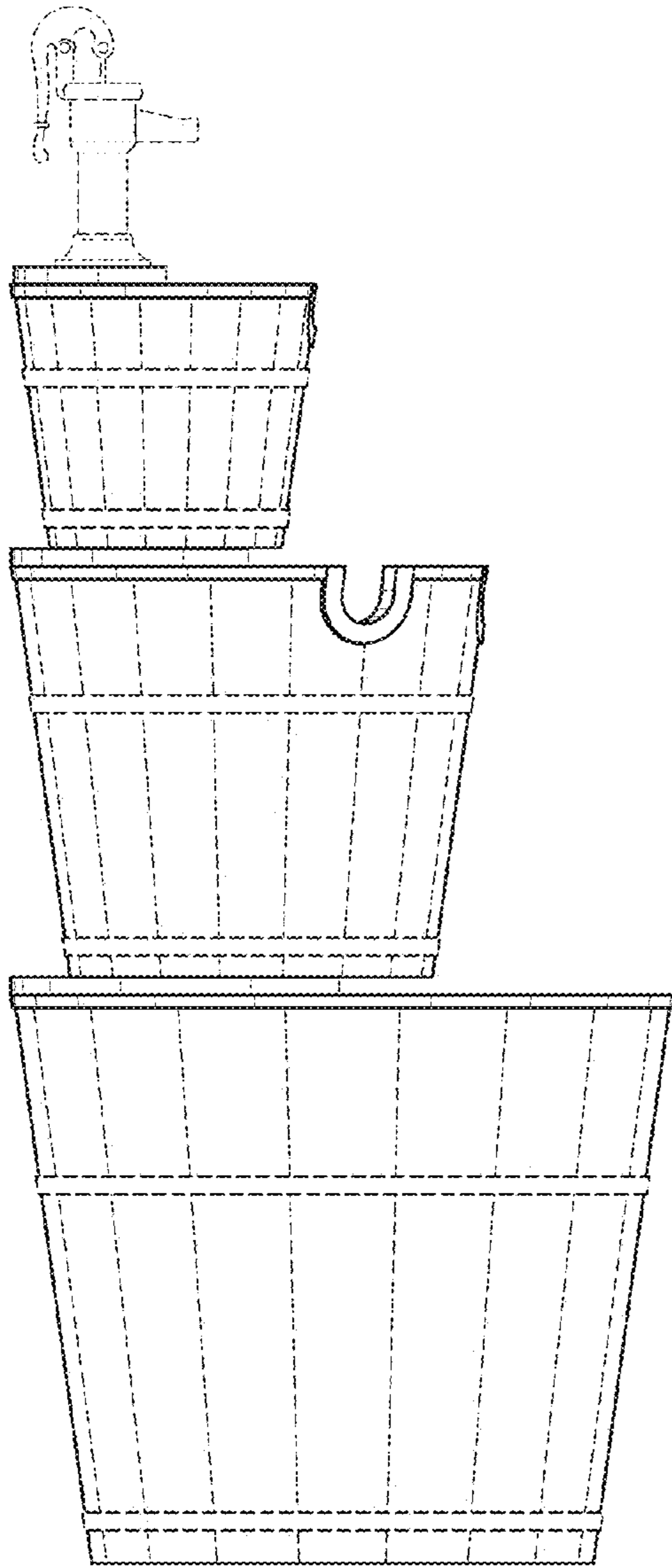


FIG. 5

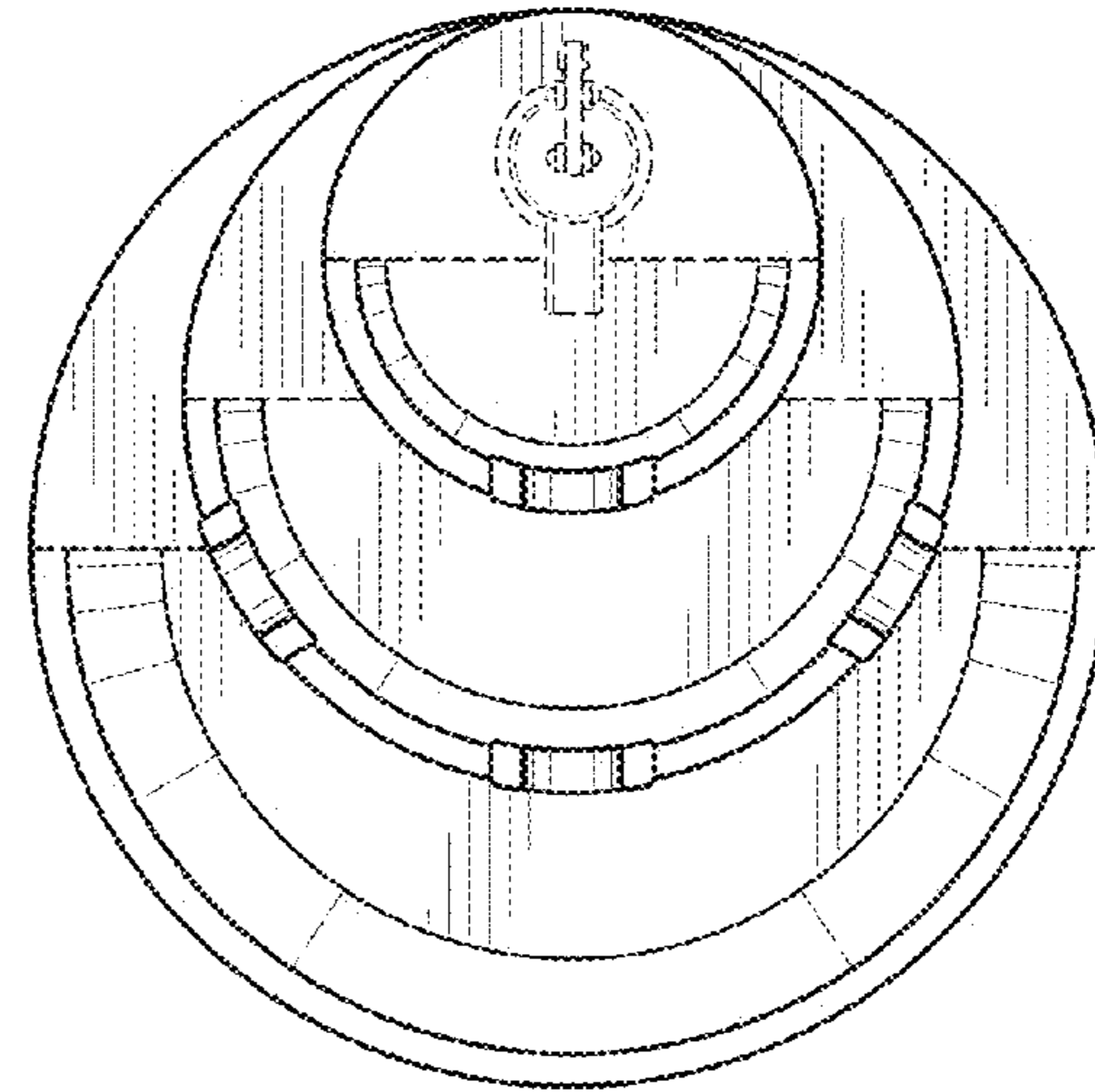


FIG. 6

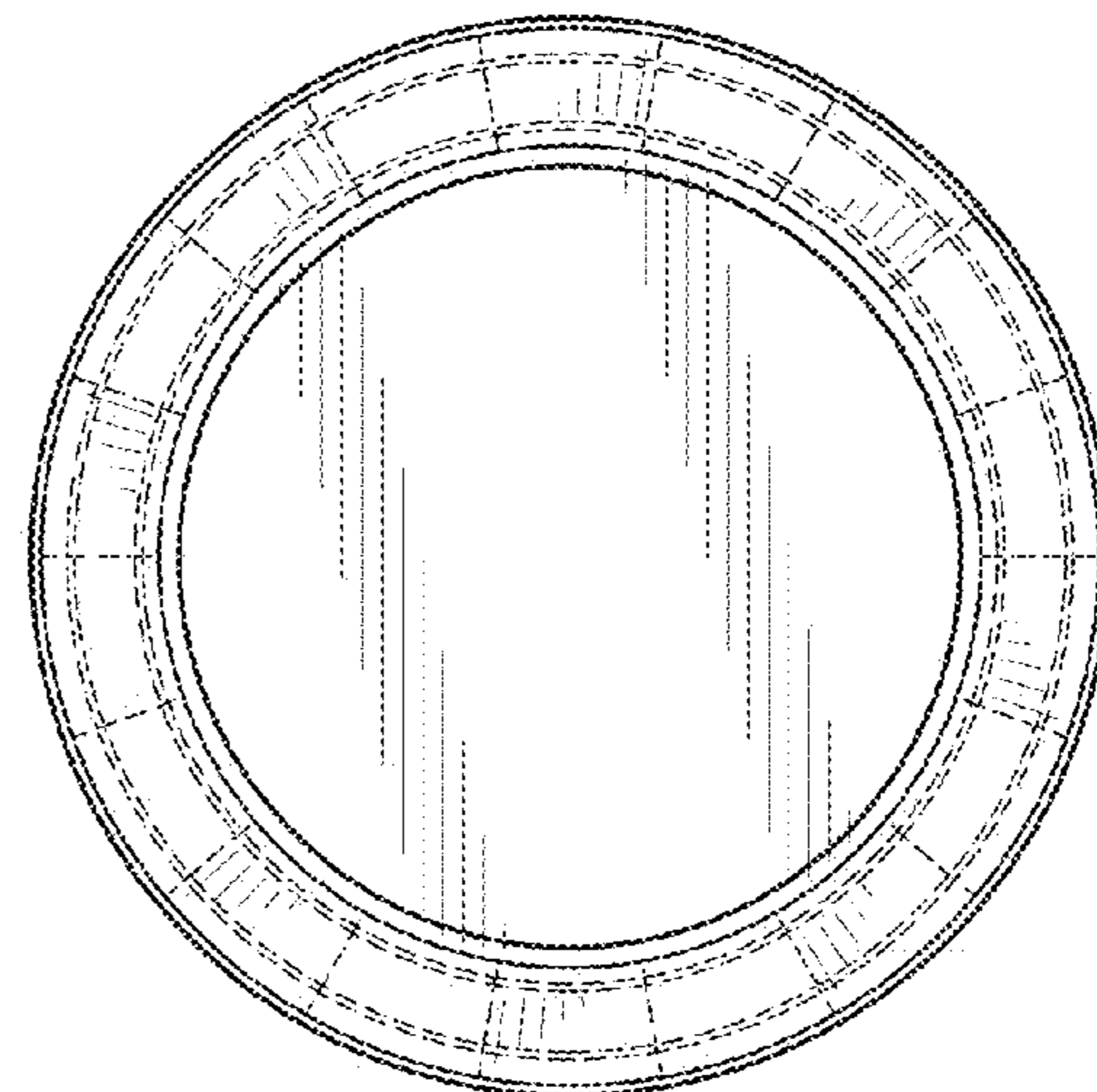


FIG. 7