



US00D762806S

(12) **United States Design Patent**
Chavez et al.

(10) **Patent No.:** **US D762,806 S**

(45) **Date of Patent:** **** Aug. 2, 2016**

(54) **SINGLE BEAM AIMING LASER**

(71) Applicant: **Laser Devices, Inc.**, Monterey, CA (US)

(72) Inventors: **Alejandro Chavez**, Salinas, CA (US);
Adam Nemeyer, Gilroy, CA (US); **Jose Espina**, Gilroy, CA (US)

(73) Assignee: **LASER DEVICES, INC.**, Monterey, CA (US)

(**) Term: **14 Years**

(21) Appl. No.: **29/514,278**

(22) Filed: **Jan. 9, 2015**

(51) **LOC (10) Cl.** **22-01**

(52) **U.S. Cl.**
USPC **D22/109**

(58) **Field of Classification Search**
USPC D22/108–109
CPC F41G 1/35; F41G 11/003; F41G 1/00;
F41G 1/36; F41G 1/34; F41G 3/26
See application file for complete search history.

(56) **References Cited**

U.S. PATENT DOCUMENTS

D682,977 S *	5/2013	Thummel	D10/70
D729,339 S *	5/2015	Chavez	D22/109
D738,455 S *	9/2015	Homem de Mello		
		Anderson	D22/109
D746,405 S *	12/2015	Nemeyer	D22/109

* cited by examiner

Primary Examiner — Michael A Pratt

(74) *Attorney, Agent, or Firm* — Innovation Counsel LLP

(57) **CLAIM**

The ornamental design for a single beam aiming laser, as shown and described herein.

DESCRIPTION

FIG. 1 illustrates a top perspective view of a single beam aiming laser of our new design; any portion shown in phantom is not part of the design sought to be patented and is provided for environmental purposes only.

FIG. 2 illustrates a top view of a single beam aiming laser of our new design; any portion shown in phantom is not part of the design sought to be patented and is provided for environmental purposes only.

FIG. 3 illustrates a bottom view of a single beam aiming laser of our new design; any portion shown in phantom is not part of the design sought to be patented and is provided for environmental purposes only.

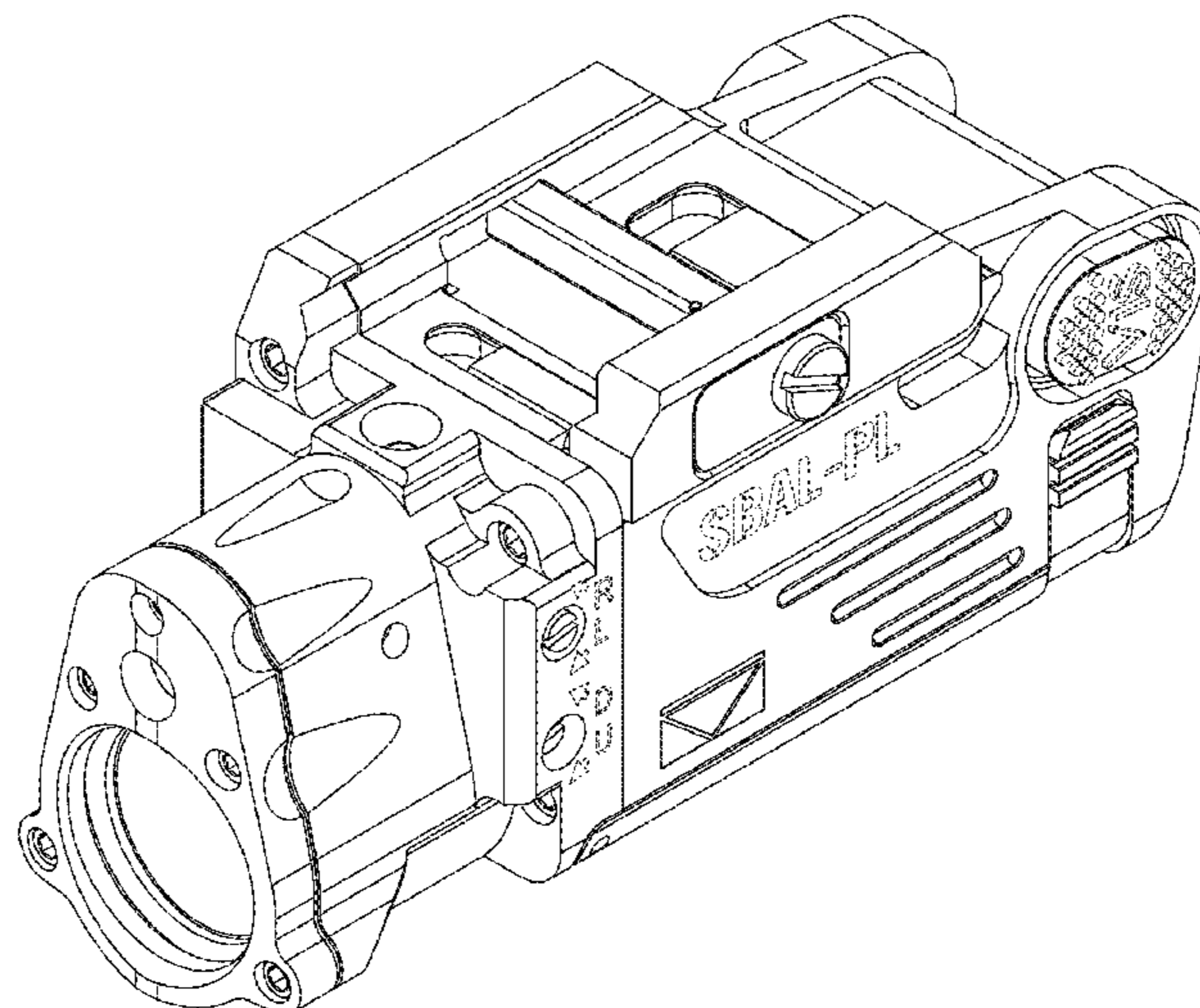
FIG. 4 illustrates a front view of a single beam aiming laser of our new design; any portion shown in phantom is not part of the design sought to be patented and is provided for environmental purposes only.

FIG. 5 illustrates a back view of a single beam aiming laser of our new design; any portion shown in phantom is not part of the design sought to be patented and is provided for environmental purposes only.

FIG. 6 illustrates a first side view of a single beam aiming laser of our new design; any portion shown in phantom is not part of the design sought to be patented and is provided for environmental purposes only; and,

FIG. 7 illustrates a second side view of a single beam aiming laser of our new design; any portion shown in phantom is not part of the design sought to be patented and is provided for environmental purposes only.

1 Claim, 7 Drawing Sheets



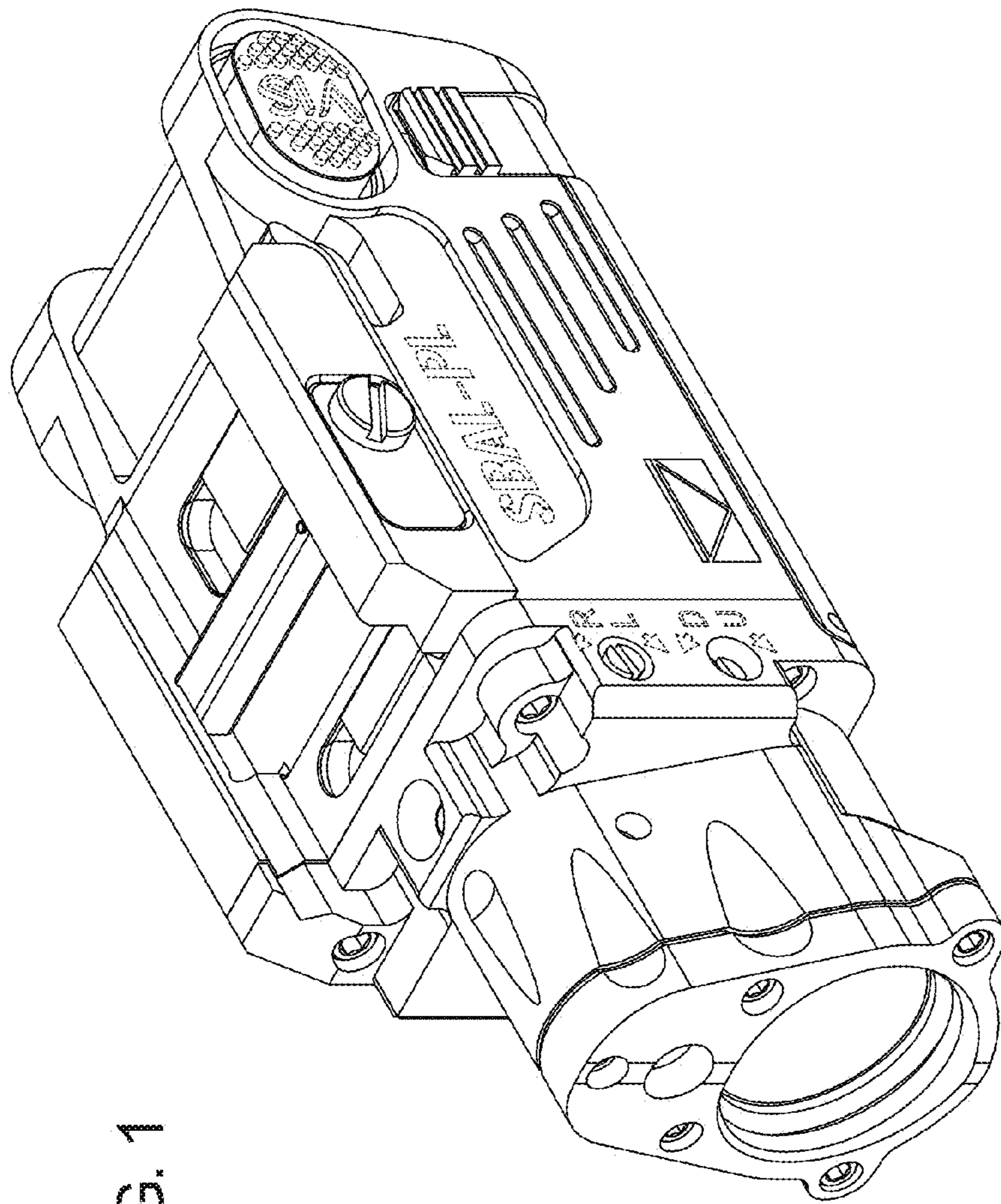


FIG. 1

FIG. 2

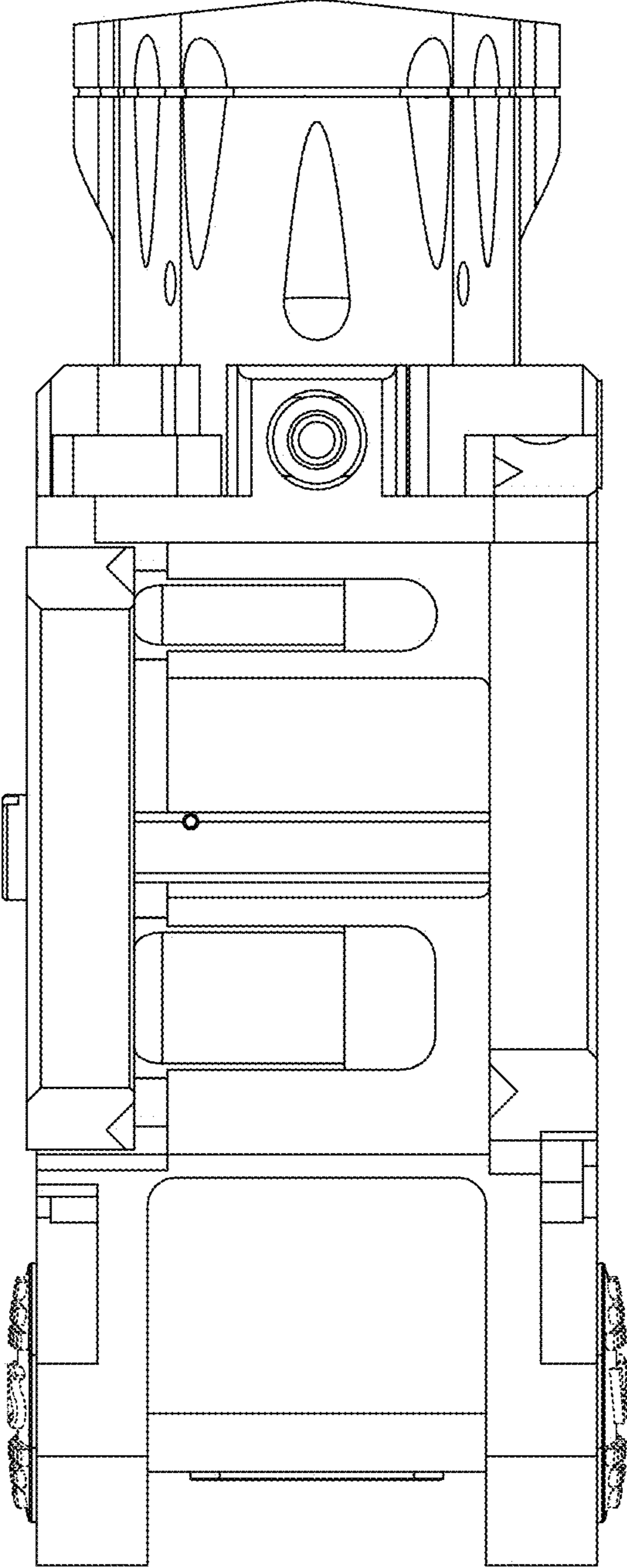


FIG. 3

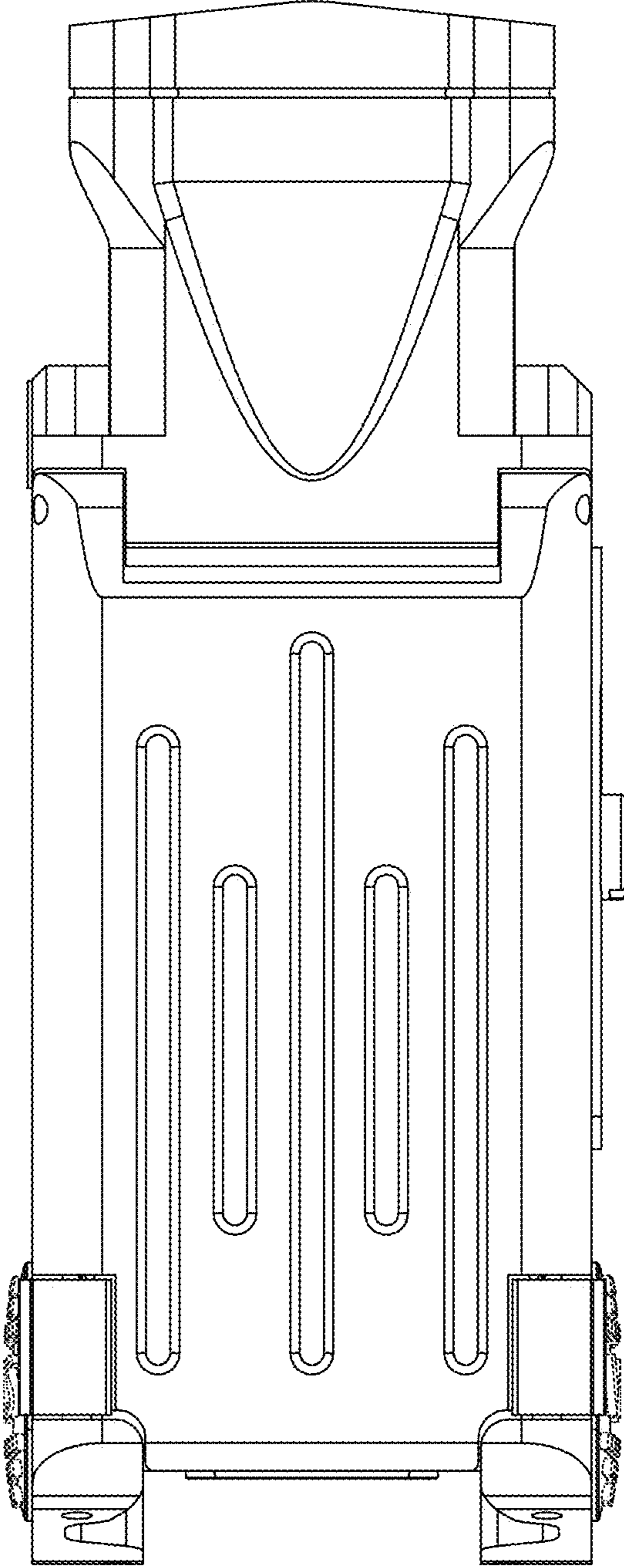


FIG. 4

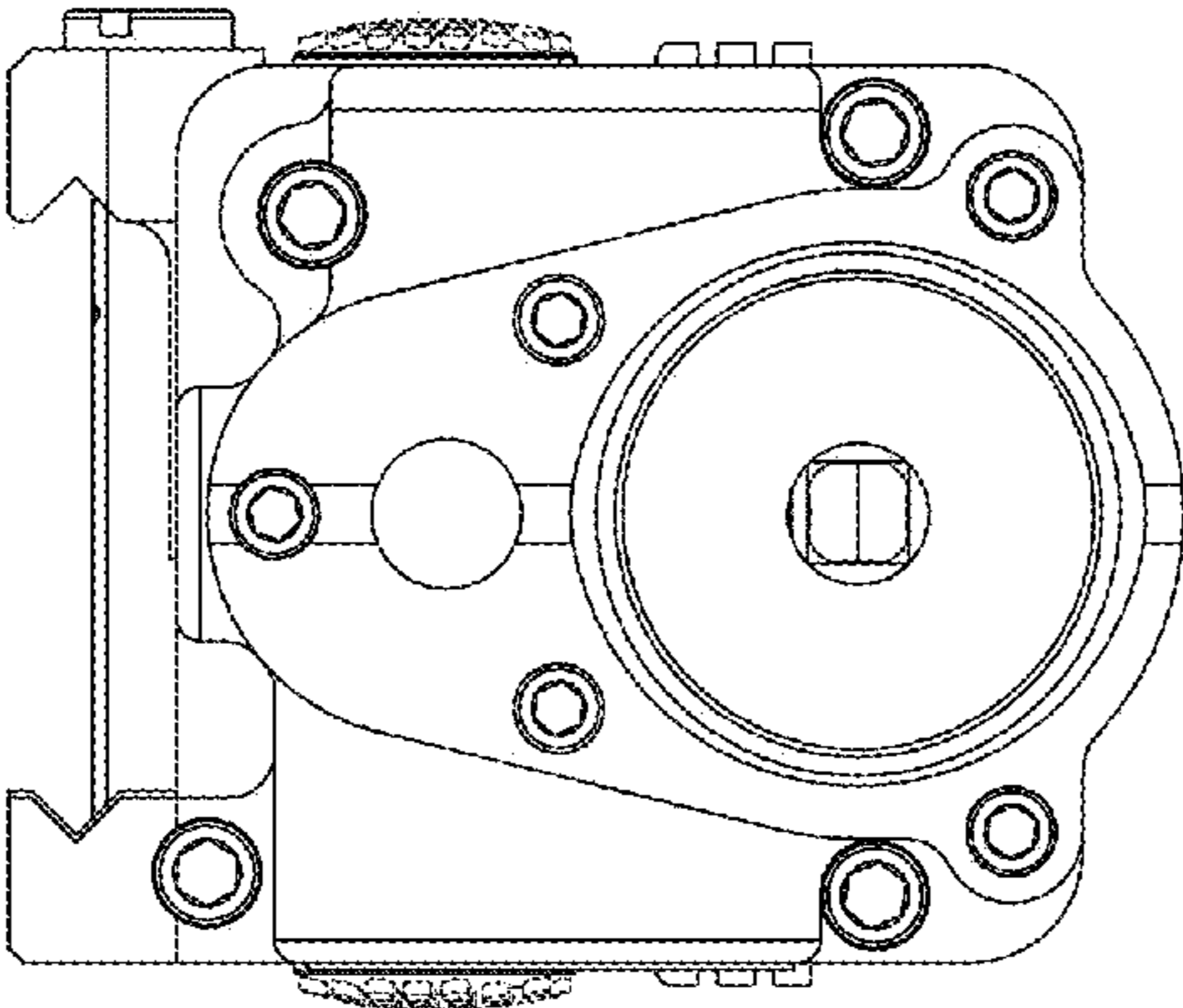


FIG. 5

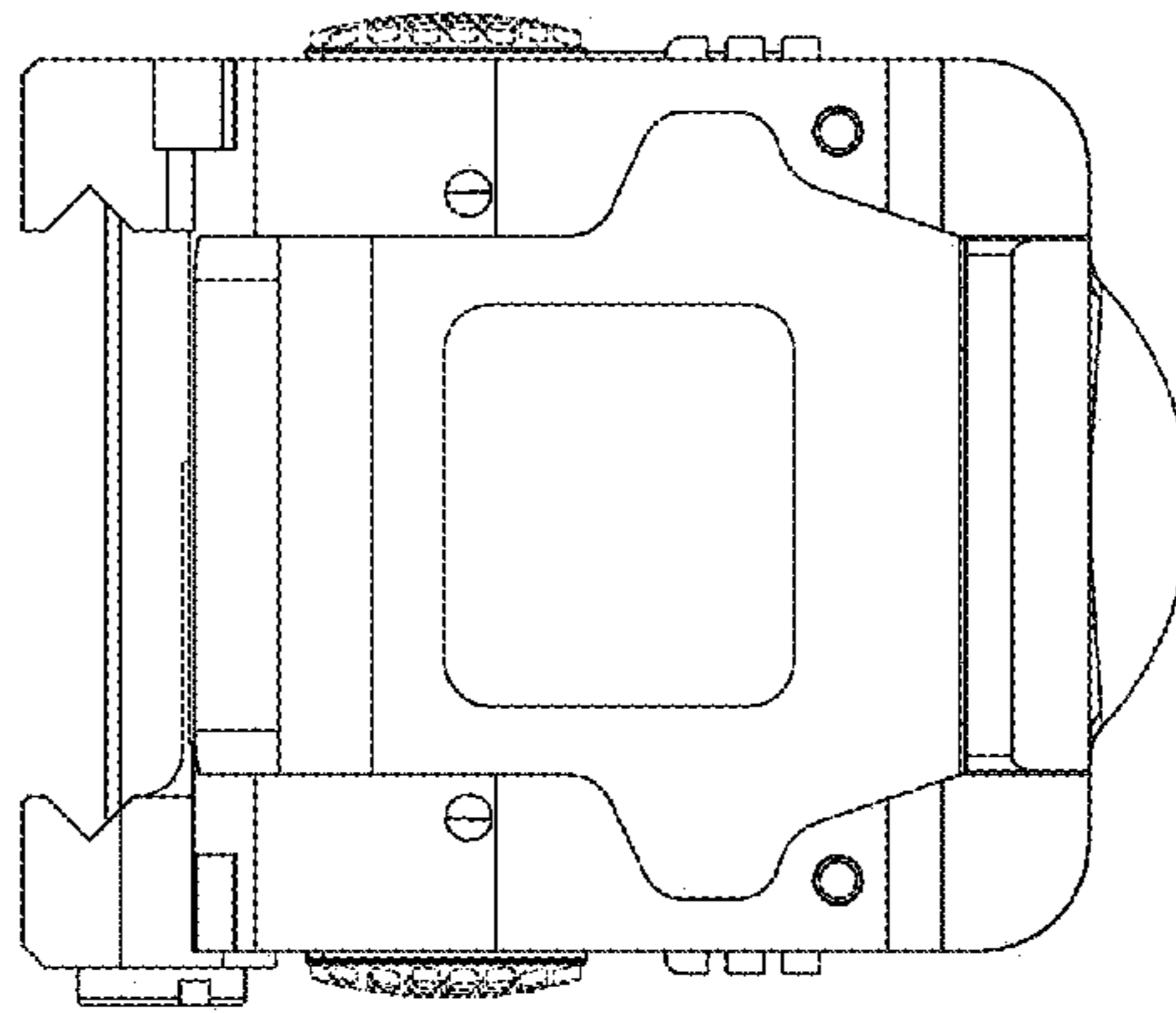


FIG. 6

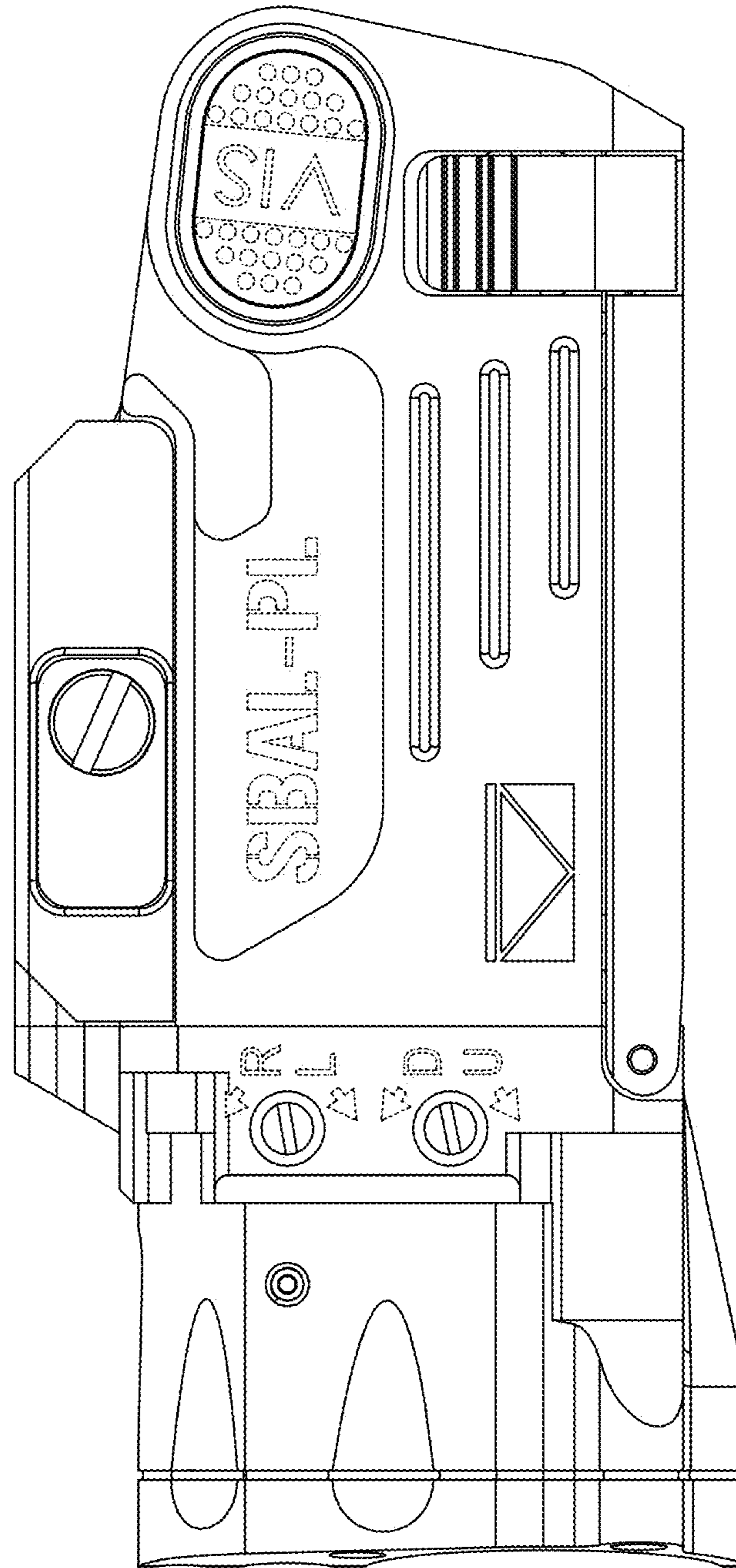


FIG. 7

