

US00D762804S

(12) **United States Design Patent**
Gardner

(10) **Patent No.:** **US D762,804 S**

(45) **Date of Patent:** **** Aug. 2, 2016**

(54) **REMOVABLE PIN**

(71) Applicant: **Edward J. Gardner**, Midlothian, TX (US)

(72) Inventor: **Edward J. Gardner**, Midlothian, TX (US)

(73) Assignee: **Dauntless Technologies, Inc.**, Milford, TX (US)

(**) Term: **14 Years**

(21) Appl. No.: **29/506,340**

(22) Filed: **Oct. 15, 2014**

(51) **LOC (10) Cl.** **22-01**

(52) **U.S. Cl.**
USPC **D22/108**

(58) **Field of Classification Search**
USPC D22/108
CPC F41A 3/14; F41A 3/30; F41A 11/02;
F41C 27/00

See application file for complete search history.

(56) **References Cited**

U.S. PATENT DOCUMENTS

923,767	A	6/1909	Buckius	
4,645,373	A	2/1987	Purdy	
5,900,577	A *	5/1999	Robinson F41A 11/02 89/156
6,212,814	B1 *	4/2001	Lambie F41A 11/02 42/75.03
7,523,580	B1 *	4/2009	Tankersley F41C 23/16 42/71.01
8,453,364	B2	6/2013	Kucynko	
8,667,882	B1 *	3/2014	Larson F41A 3/66 89/140
8,789,305	B1 *	7/2014	Dichario F41A 3/66 42/75.03
2015/0290775	A1 *	10/2015	Bennett B25B 1/2463 269/287

OTHER PUBLICATIONS

SNAGIT—<https://www.youtube.com/watch?v=vcAqNDwT34w>—
accessed Dec. 16, 2015.*

Battle Arms Development, Inc., “BAD-EPS (Enhanced Pins Set)-AR15”, website description of product appearing at <<http://shop.battlearmsdevelopment.com/BAD-EPS-Enhanced-Pins-Set-AR15-BAD-EPS.htm>>, published at least as early as Sep. 16, 2014.
AR15.com, “How to Install the front Pivot Pin using a \$1 clevis pin”, post on public website forum appearing at <http://www.ar15.com/forums/t_3_4/362116_How-to_install_the_front_Pivot_Pin_using_a_1_clevis_pin_56K_death.html>, published Feb. 5, 2008.

* cited by examiner

Primary Examiner — Michael A Pratt

(74) *Attorney, Agent, or Firm* — Braxton, Hilton & Perrone, PLLC

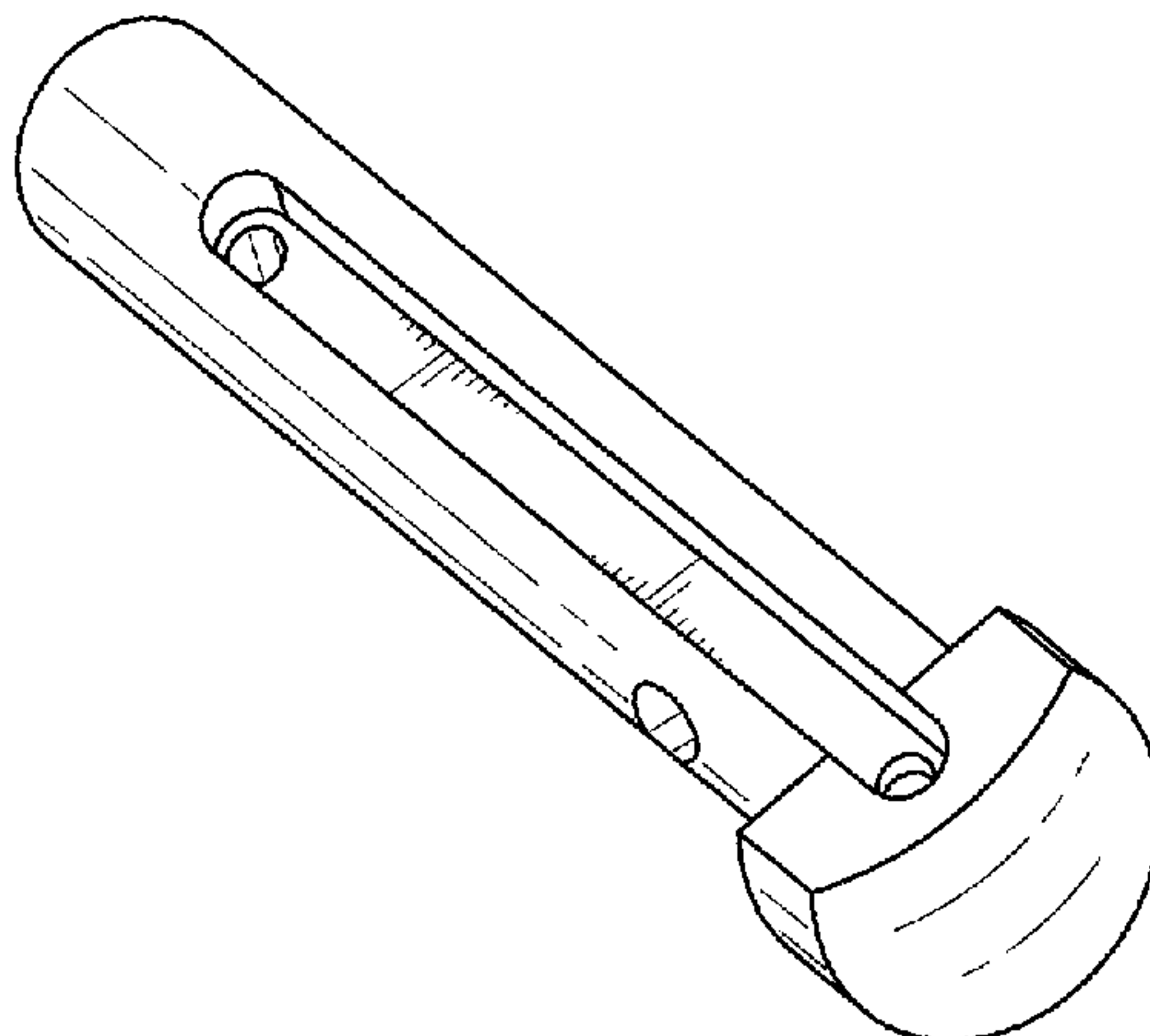
(57) **CLAIM**

The ornamental design of the removable pin, as shown and described.

DESCRIPTION

FIG. 1 is a lower perspective view of the removable pin in accordance with the present invention;
FIG. 2 is an upper perspective view thereof;
FIG. 3 is a top view thereof;
FIG. 4 is a bottom view thereof;
FIG. 5 is a left side view thereof;
FIG. 6 is a right side view thereof;
FIG. 7 is a front view thereof;
FIG. 8 is a rear view thereof; and,
FIG. 9 is a front perspective view of the removable pin in accordance with the present invention, said removable pin inserted into a firearm lower receiver assembly.
The features shown in broken lines in FIG. 9 are for illustrating environmental structure and form no part of the claimed design. More generally, the invention pertains to an ornamental design for an article of manufacture. The article is not limited to the scale shown herein. As indicated in the title, the article of manufacture to which the ornamental design has been applied is a mechanical pin.

1 Claim, 3 Drawing Sheets



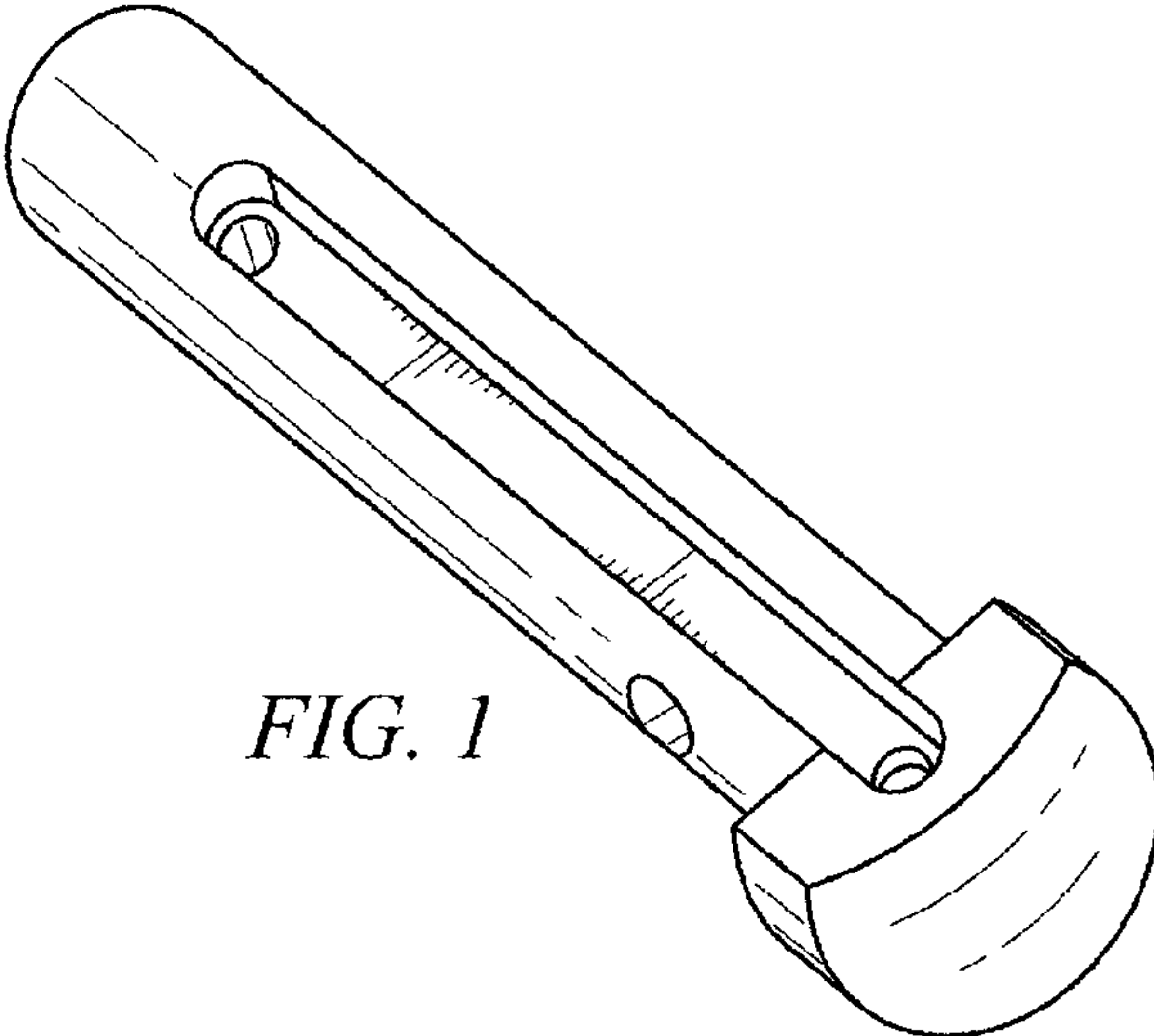


FIG. 1

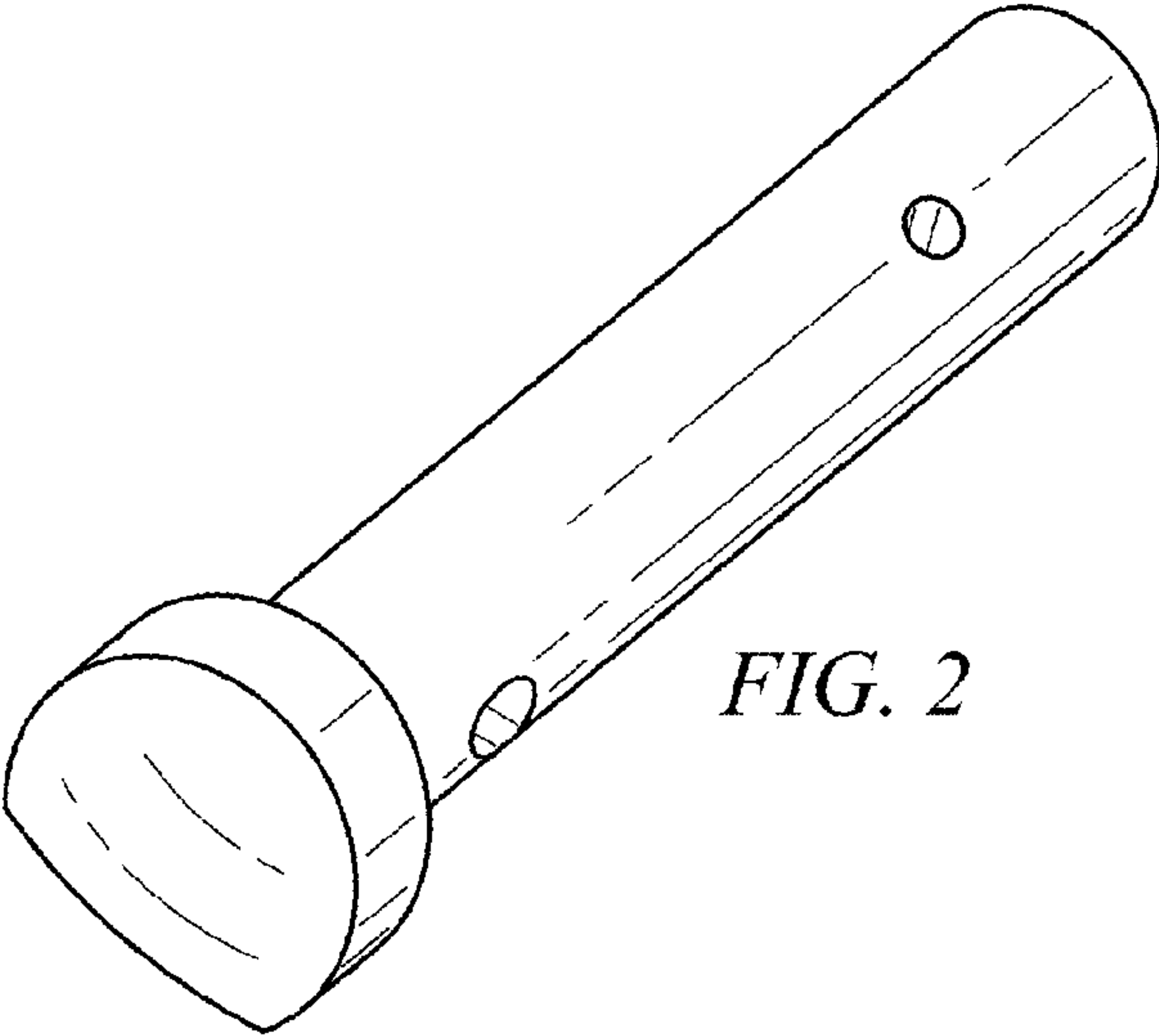


FIG. 2



FIG. 3

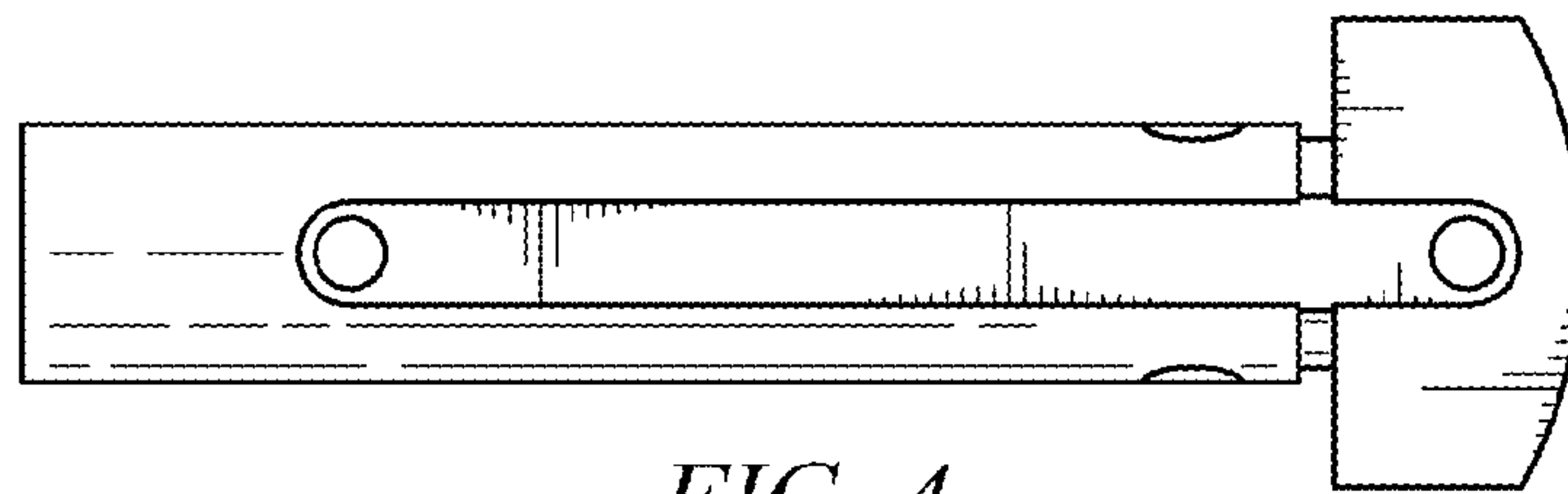


FIG. 4

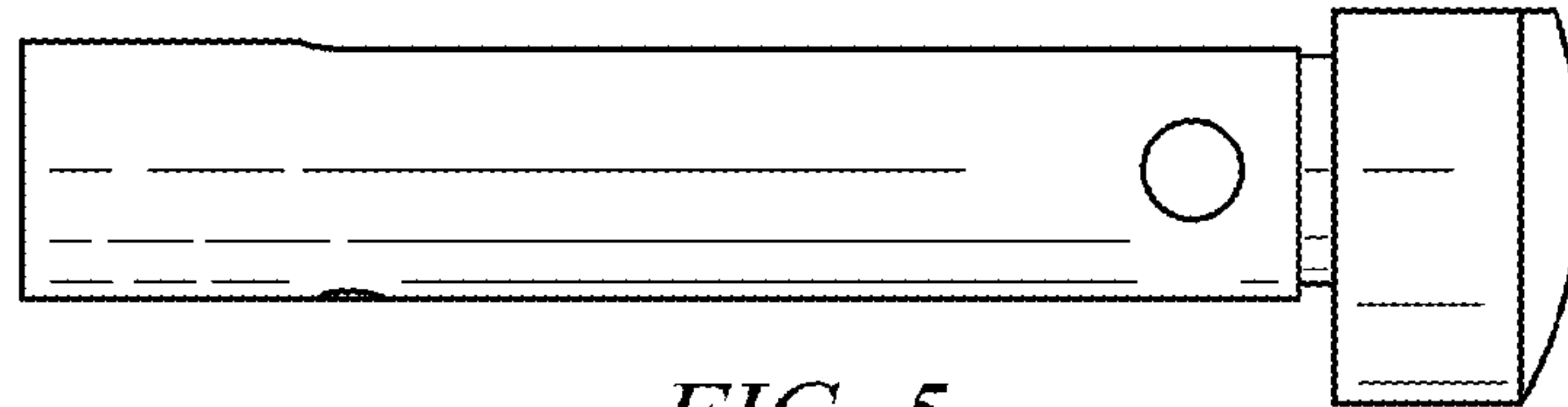


FIG. 5

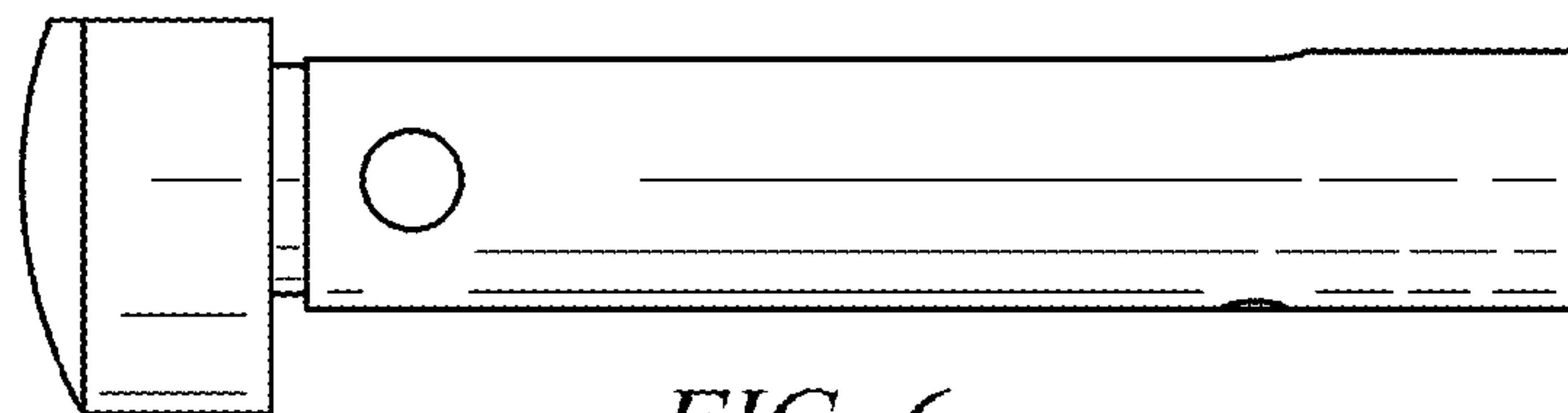


FIG. 6

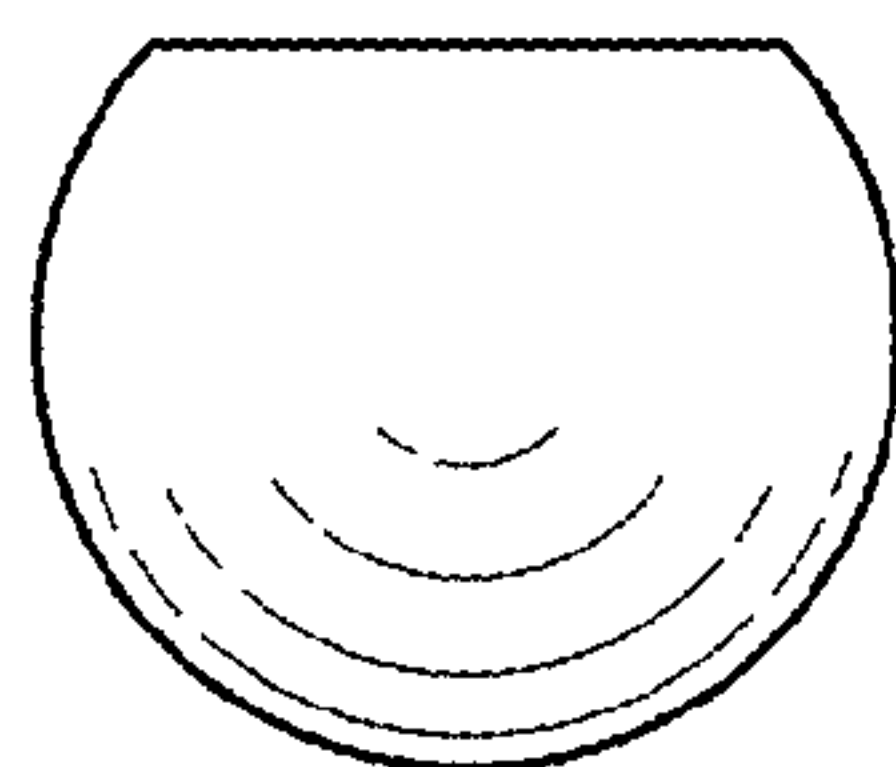


FIG. 7

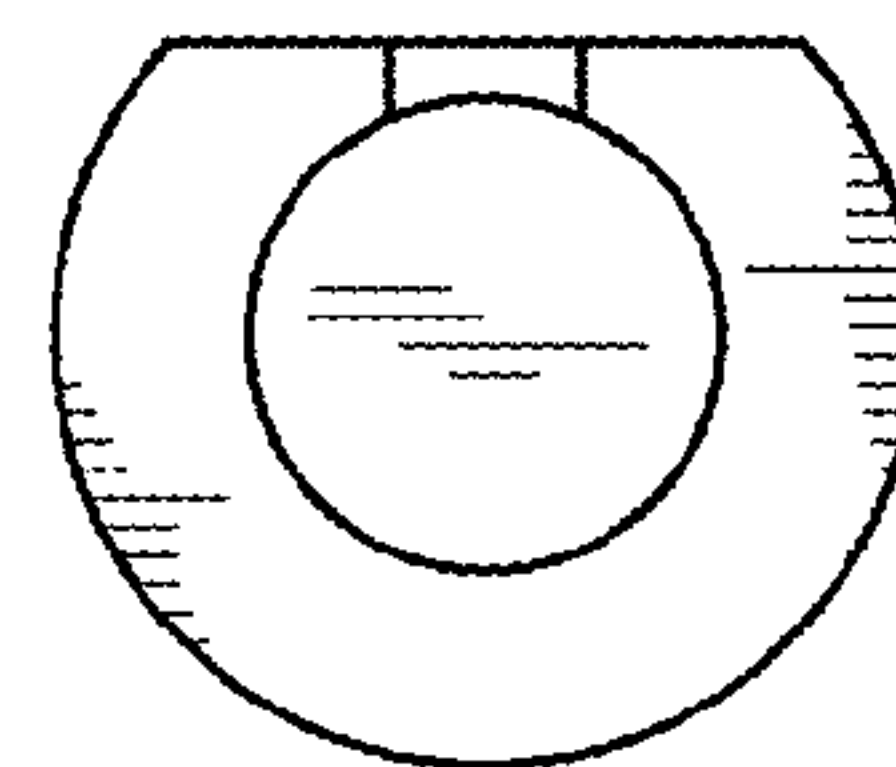


FIG. 8

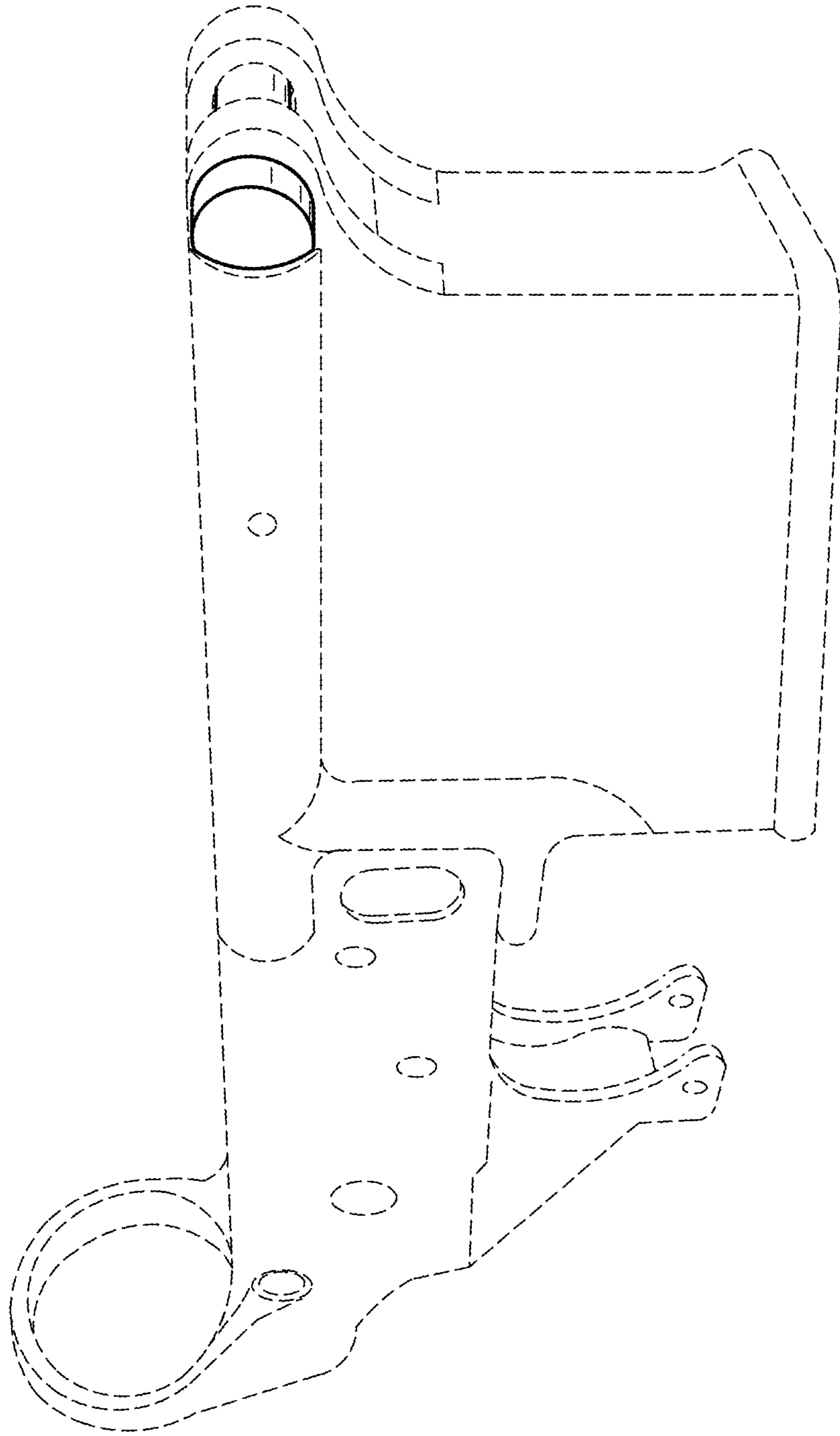


FIG. 9