



US00D762803S

(12) **United States Design Patent**
Hahin

(10) **Patent No.:** **US D762,803 S**

(45) **Date of Patent:** **** Aug. 2, 2016**

- (54) **SPENT PRIMER CATCHER**
- (71) Applicant: **Robert G. Hahin**, Berkeley, CA (US)
- (72) Inventor: **Robert G. Hahin**, Berkeley, CA (US)
- (**) Term: **14 Years**
- (21) Appl. No.: **29/505,016**
- (22) Filed: **Apr. 22, 2015**
- (51) **LOC (10) Cl.** **22-01**
- (52) **U.S. Cl.**
USPC **D22/108**
- (58) **Field of Classification Search**
USPC D22/108
CPC F41A 9/60; F41A 9/83; F41A 9/82;
F41A 9/01; F41A 9/09; F41A 9/86; F42B
30/02; F42B 5/02; F42B 5/26; F42B 12/34;
F42B 8/04; F42B 10/22; F42B 8/14
See application file for complete search history.

- 5,138,787 A * 8/1992 Riddle F41A 9/60
42/98
- 5,285,593 A * 2/1994 Bammate F41A 9/60
42/98
- 5,398,439 A * 3/1995 Harless F41A 9/60
42/98
- 6,487,808 B1 * 12/2002 Carey F41A 9/60
42/98
- 6,530,169 B1 * 3/2003 Griffin F41A 9/60
42/98
- 6,836,991 B1 * 1/2005 Saur F41A 9/60
181/223
- 7,043,863 B2 * 5/2006 Saur F41A 9/60
206/3
- 7,536,821 B1 * 5/2009 Saur F41A 9/60
181/252
- 8,408,113 B2 * 4/2013 Ledbetter, III F41A 9/60
206/3
- D702,796 S * 4/2014 Healey D22/108
- 2002/0007581 A1 * 1/2002 Bucciarelli F41G 1/35
42/98
- 2012/0023803 A1 * 2/2012 Taylor F41A 9/60
42/90

* cited by examiner

Primary Examiner — Michael A Pratt

(56) **References Cited**
U.S. PATENT DOCUMENTS

- 3,739,685 A * 6/1973 Lundgren F41A 9/60
42/98
- 4,028,834 A * 6/1977 Dobson F41A 9/60
42/98
- 4,265,042 A * 5/1981 Isola F41A 9/60
42/98
- 4,334,375 A * 6/1982 Olson F41A 9/60
42/98
- 4,430,820 A * 2/1984 Marsh F41A 9/60
42/98
- 4,715,141 A * 12/1987 Kohnke F41A 9/60
42/98
- 4,903,426 A * 2/1990 Bammate F41A 9/60
42/98

(57) **CLAIM**
The ornamental design for a spent primer catcher, as shown.

DESCRIPTION

FIG. 1 is a perspective view of a spent primer catcher;
FIG. 2 is a right elevation view;
FIG. 3 is a top plan view;
FIG. 4 is a rear elevation view;
FIG. 5 is a bottom plan view;
FIG. 6 is a bottom perspective view; and,
FIG. 7 is a front elevation view.

1 Claim, 7 Drawing Sheets

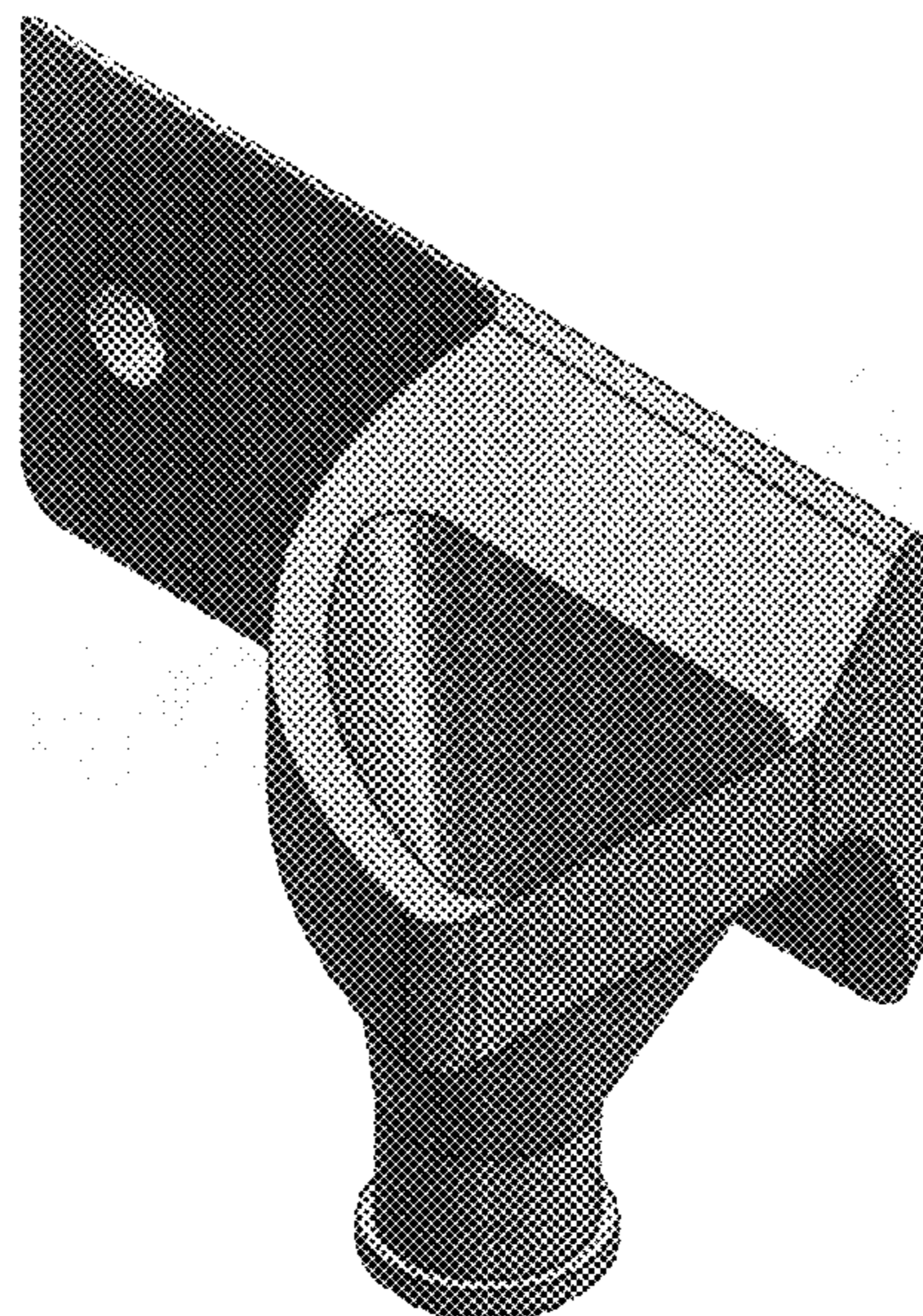


Fig. 1.

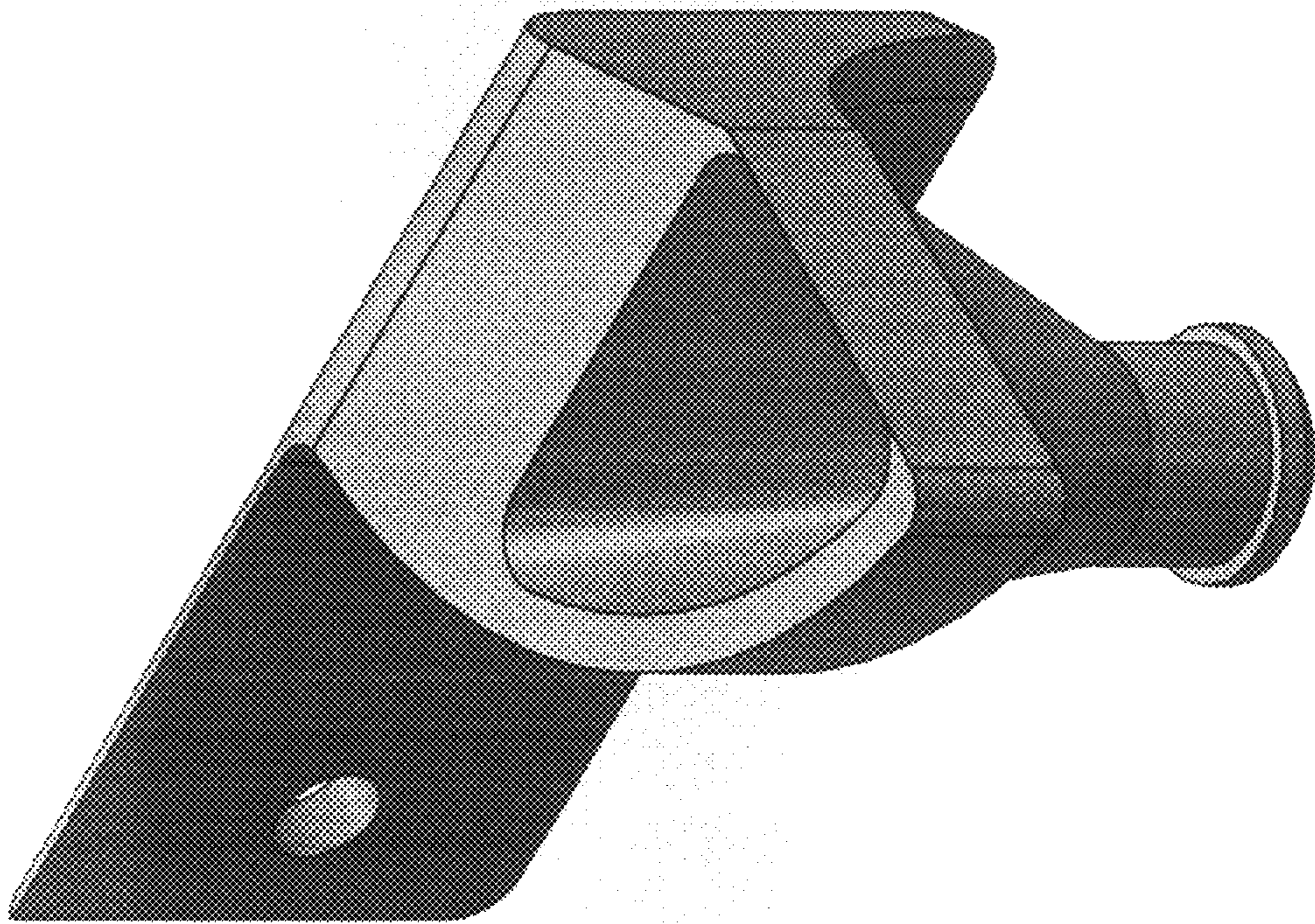
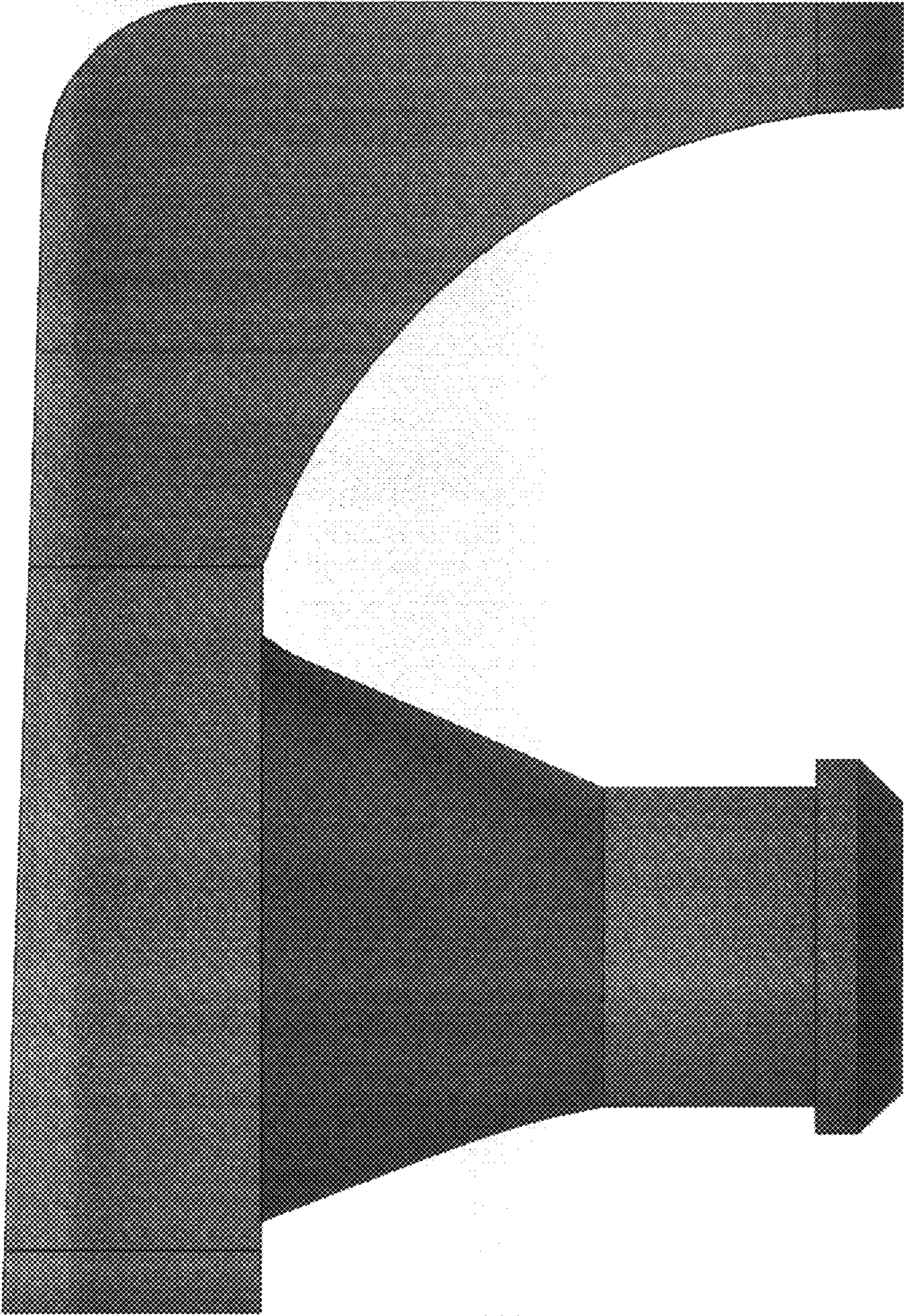


Fig. 2.



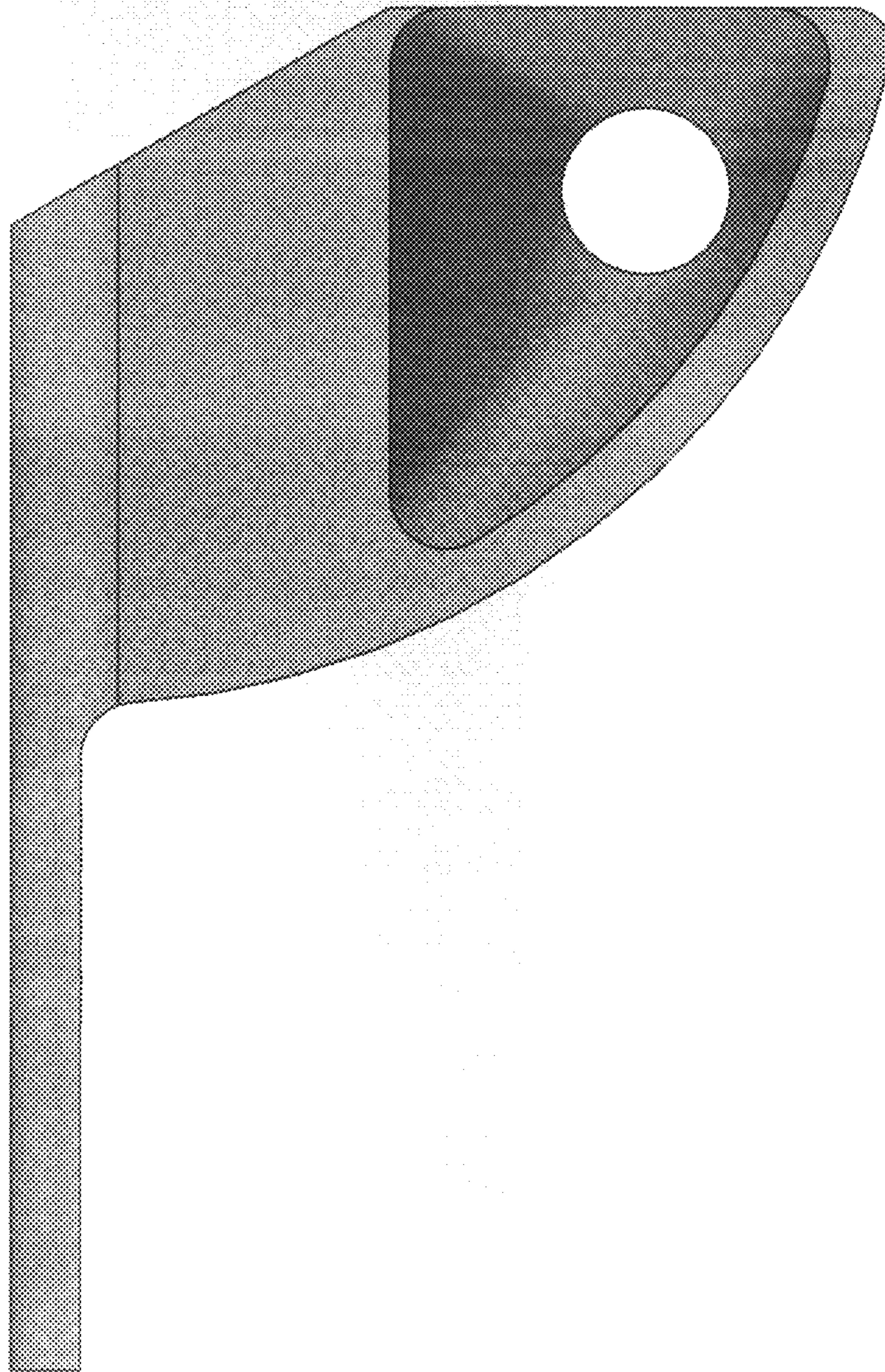


Fig. 3.

Fig. 4.

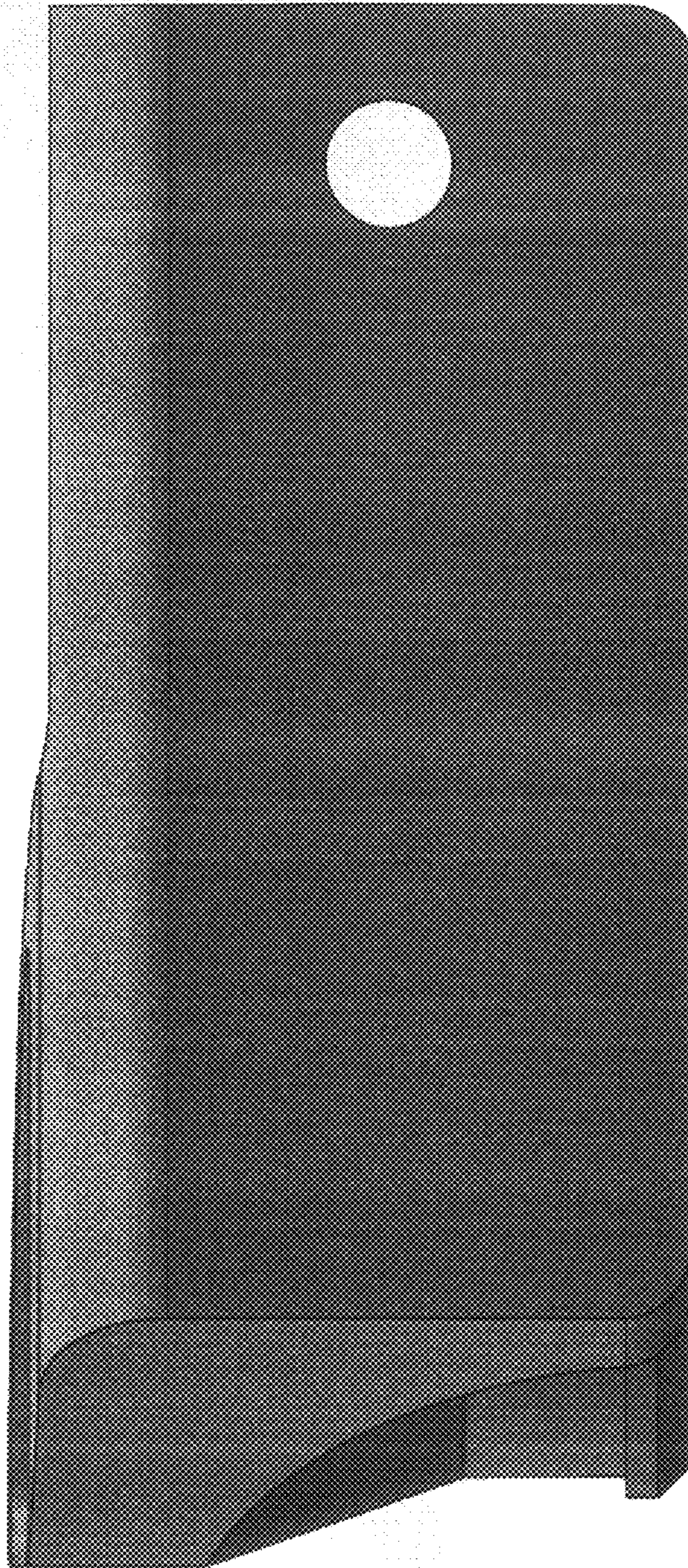


Fig. 5.

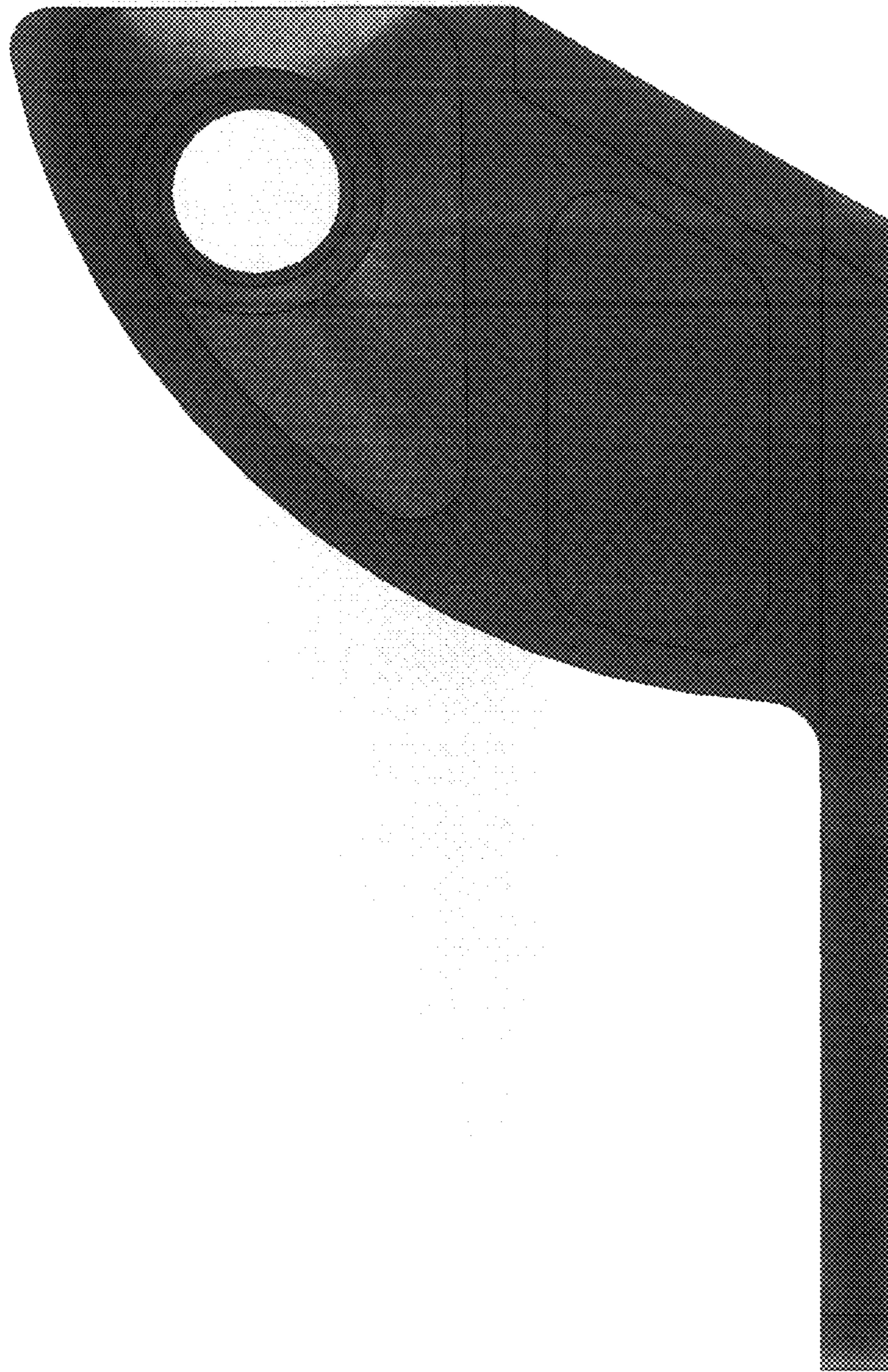


Fig. 6.

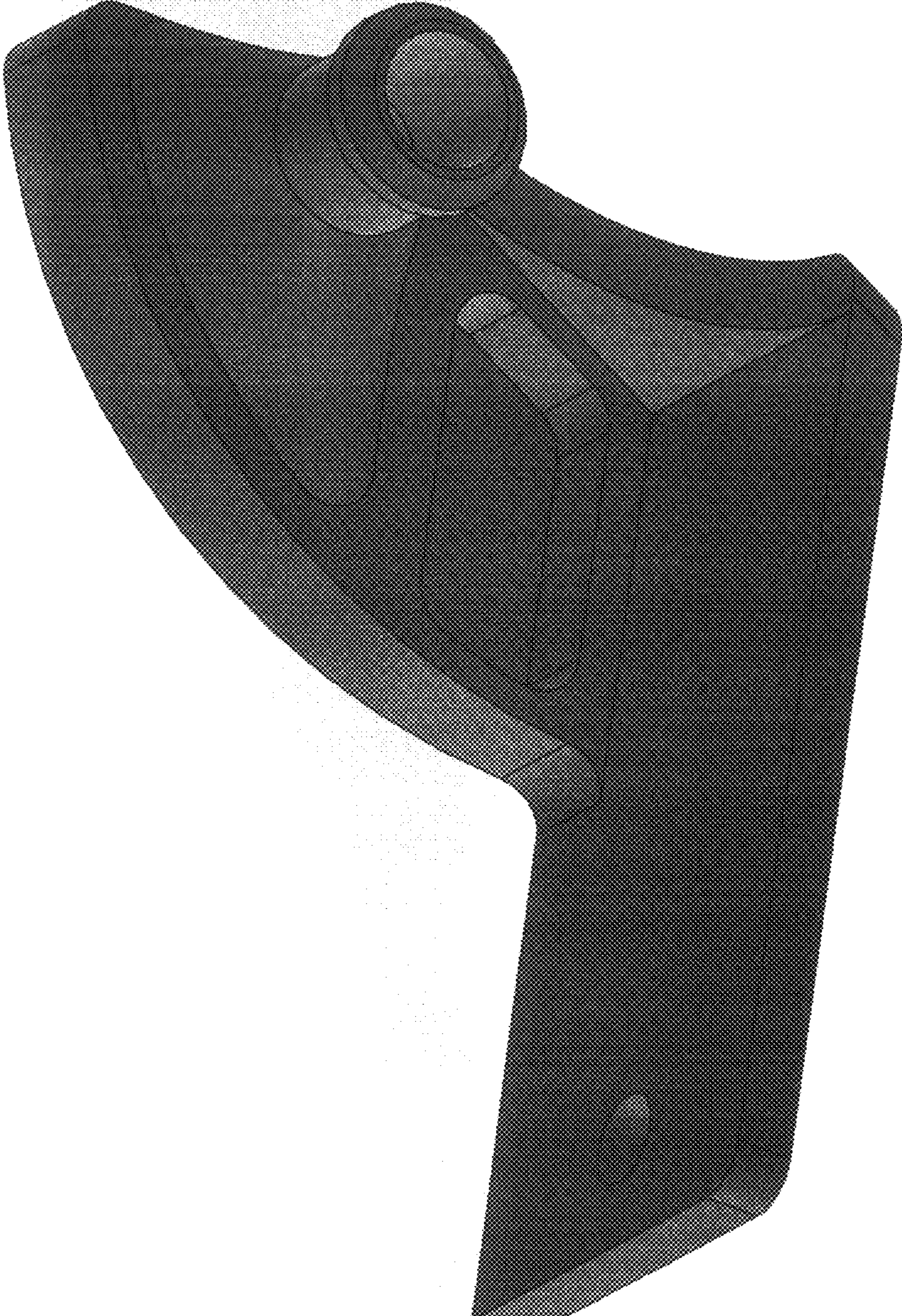


Fig 7.

