



US00D762802S

(12) **United States Design Patent**
Houle

(10) **Patent No.:** **US D762,802 S**

(45) **Date of Patent:** **** Aug. 2, 2016**

(54) **STIRRUP FOR CROSSBOW**

2014/0102431 A1* 4/2014 Kennedy F41B 5/12
124/35.1

(71) Applicant: **PLACEMENTS GASTON HOULE
INC., Wickham (CA)**

(Continued)

FOREIGN PATENT DOCUMENTS

(72) Inventor: **Gaston Houle, Wickham (CA)**

CN 201413078 12/2012
FR 2765959 1/1999

(73) Assignee: **PLACEMENTS GASTON HOULE
INC., Wickham (CA)**

(Continued)

(**) Term: **14 Years**

OTHER PUBLICATIONS

(21) Appl. No.: **29/507,577**

Maximus Crossbow's Ergo, in Bowhunting Blog, by James
Hendricks, published by Excalibur Crossbow, Kitchener (ON),
Canada, Dec. 30, 2013, www.bowhunting.com.

(22) Filed: **Oct. 29, 2014**

(51) **LOC (10) Cl.** **22-01**

(Continued)

(52) **U.S. Cl.**

USPC **D22/107**

(58) **Field of Classification Search**

USPC D22/107

CPC F41B 5/12; F41B 5/148

See application file for complete search history.

Primary Examiner — Michael A Pratt

(74) *Attorney, Agent, or Firm* — Mathieu Audet

(57) **CLAIM**

The ornamental design for a stirrup for crossbow, as shown.

DESCRIPTION

(56) **References Cited**

U.S. PATENT DOCUMENTS

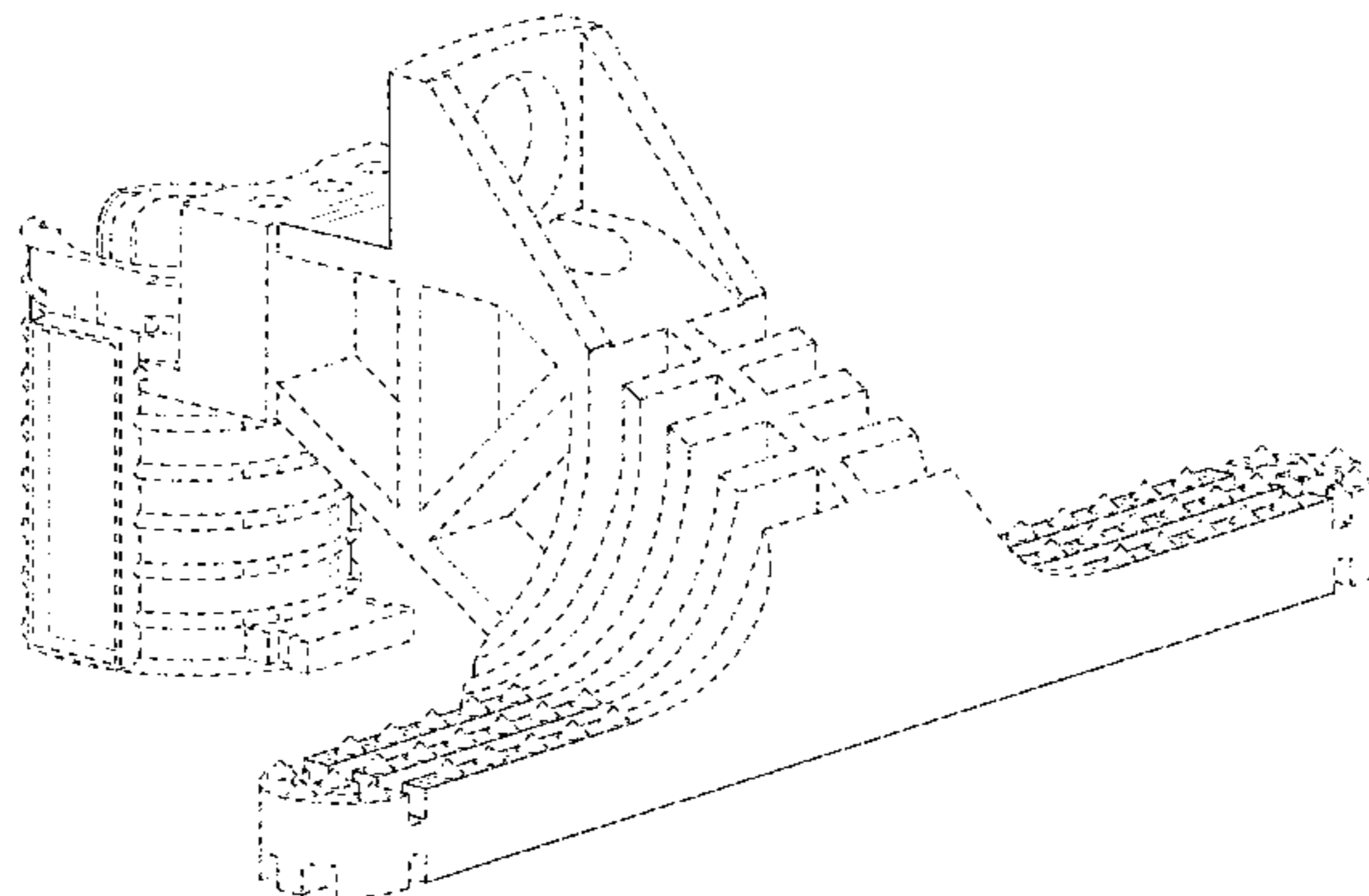
2,814,284 A 11/1957 Sileo
2,842,114 A 7/1958 Duncan
3,515,113 A 6/1970 Lawrence
4,587,944 A 5/1986 Barnett
4,662,345 A * 5/1987 Stephens F41A 9/70
124/25

5,437,260 A 8/1995 King
5,720,268 A 2/1998 Koltze
6,868,845 B1 3/2005 Moore
8,689,774 B1 4/2014 Ritz
8,978,636 B2 3/2015 Bednar
2002/0020403 A1 2/2002 Troubridge
2005/0076894 A1 4/2005 Crites, Jr.
2010/0224176 A1 9/2010 Kaylan
2013/0061836 A1 3/2013 Kempf
2013/0174825 A1 7/2013 Bednar
2013/0213371 A1 8/2013 Biafore, Jr.
2013/0213374 A1 * 8/2013 Bednar F41B 5/105
124/25

2014/0069404 A1 3/2014 McPherson

FIG. 1 is an isometric view of a first version of an exemplary
stirrup for crossbow;
FIG. 2 is a rear elevational view of the exemplary stirrup for
crossbow;
FIG. 3 is a front elevational view of the exemplary stirrup for
crossbow;
FIG. 4 is a right elevational view of the exemplary stirrup for
crossbow;
FIG. 5 is a left elevational view of the exemplary stirrup for
crossbow;
FIG. 6 is a bottom plan elevational view of the exemplary
stirrup for crossbow; and,
FIG. 7 is a top plan view of view of the exemplary stirrup for
crossbow.
The broken lines in the drawings illustrate portions of the
stirrup for crossbow which form no part of the claimed
design.

1 Claim, 7 Drawing Sheets



(56)

References Cited

U.S. PATENT DOCUMENTS

2014/0283805 A1* 9/2014 Dunlop F41B 5/12
124/25
2015/0128922 A1* 5/2015 Houle F41B 5/12
124/25
2015/0128924 A1* 5/2015 Houle F41B 5/12
124/25
2015/0219420 A1* 8/2015 Bednar F41B 5/1469
124/25
2015/0233665 A1* 8/2015 Trpkovski F41B 5/12
124/25

FOREIGN PATENT DOCUMENTS

TW 200804751 1/2008
WO WO 2011/070433 2/2010

OTHER PUBLICATIONS

Reconstructing a Historic Crossbow, in Reconstructing a Medieval
Crossbow, by James Bayne, published by All things medieval, Dec.
30, 2013, www.medieval.stormthecastle.com.

* cited by examiner

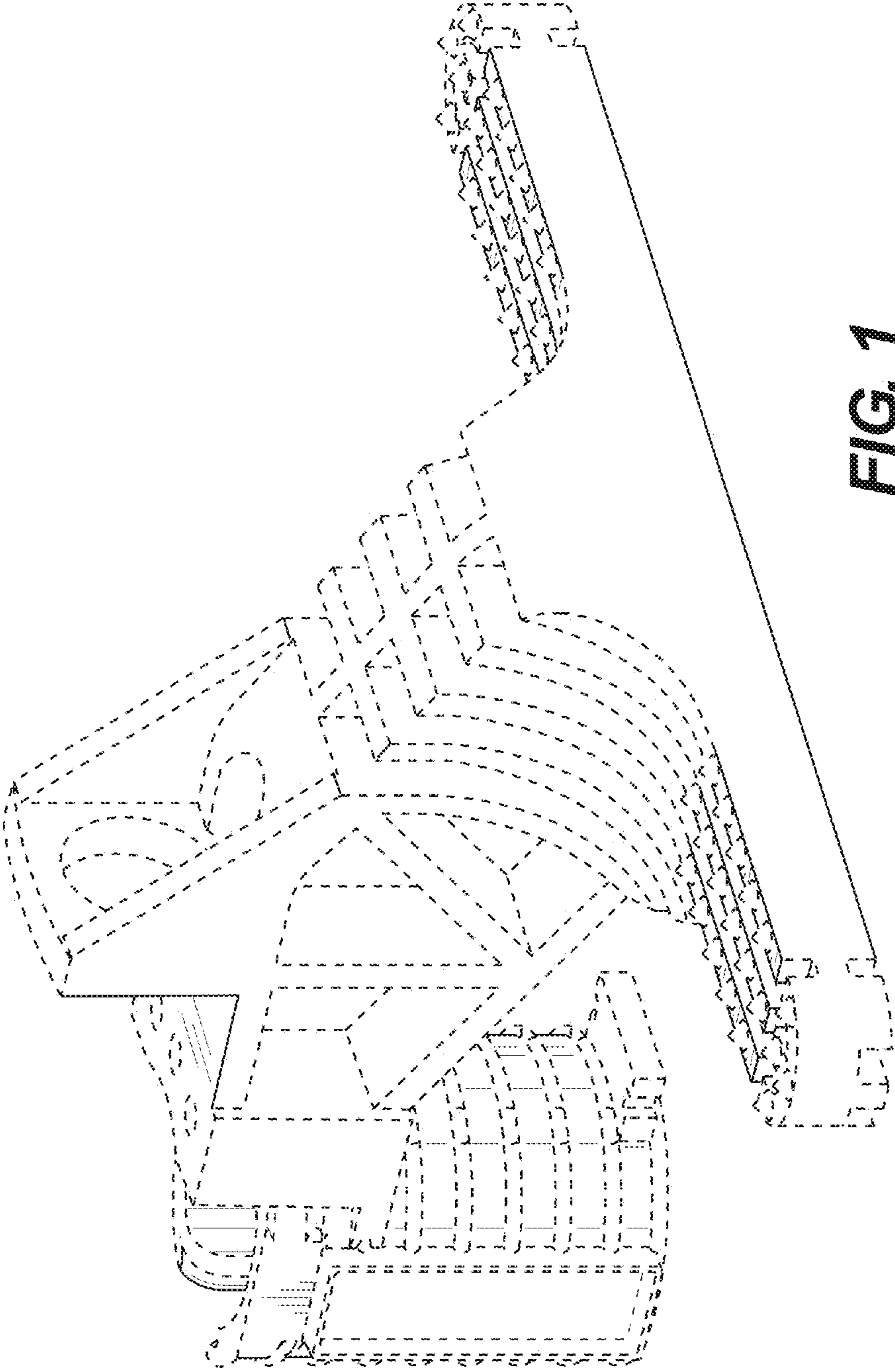


FIG. 1

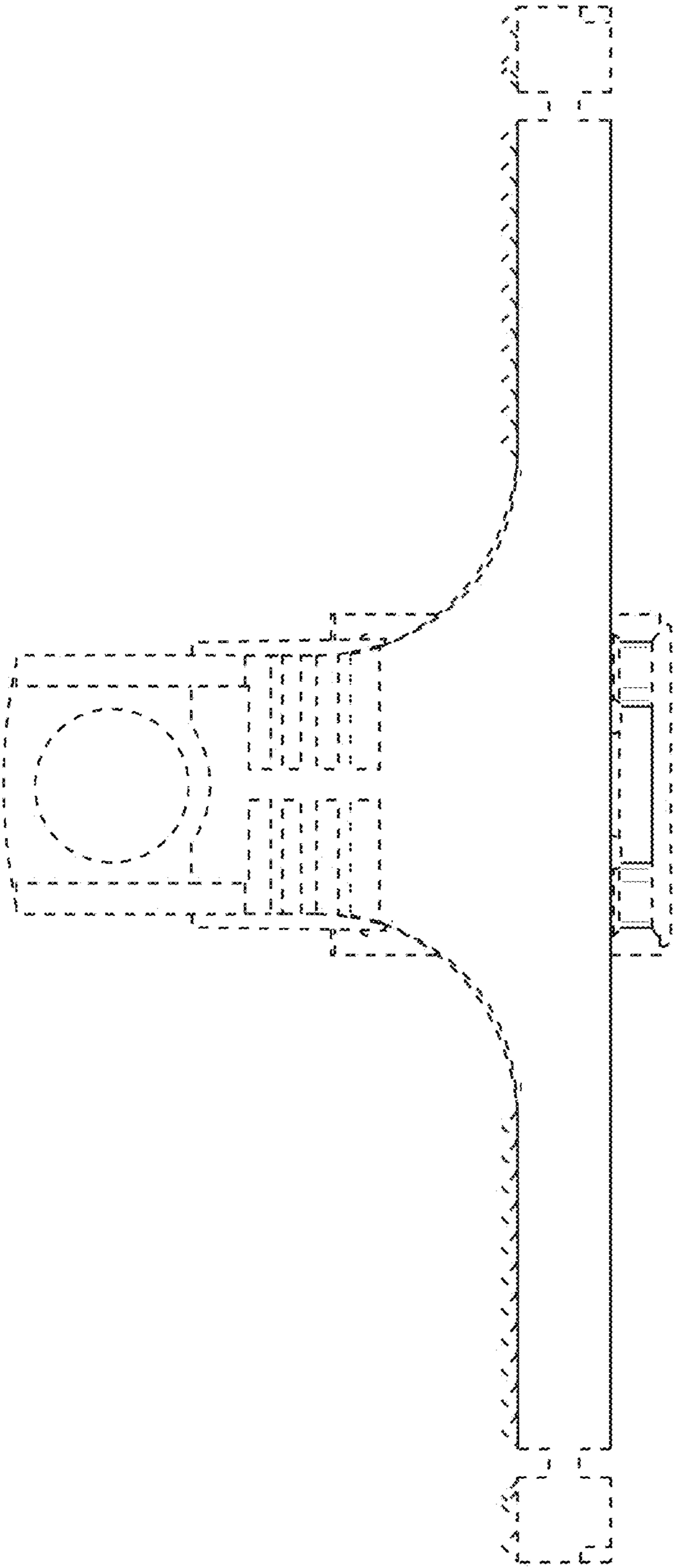


FIG. 2

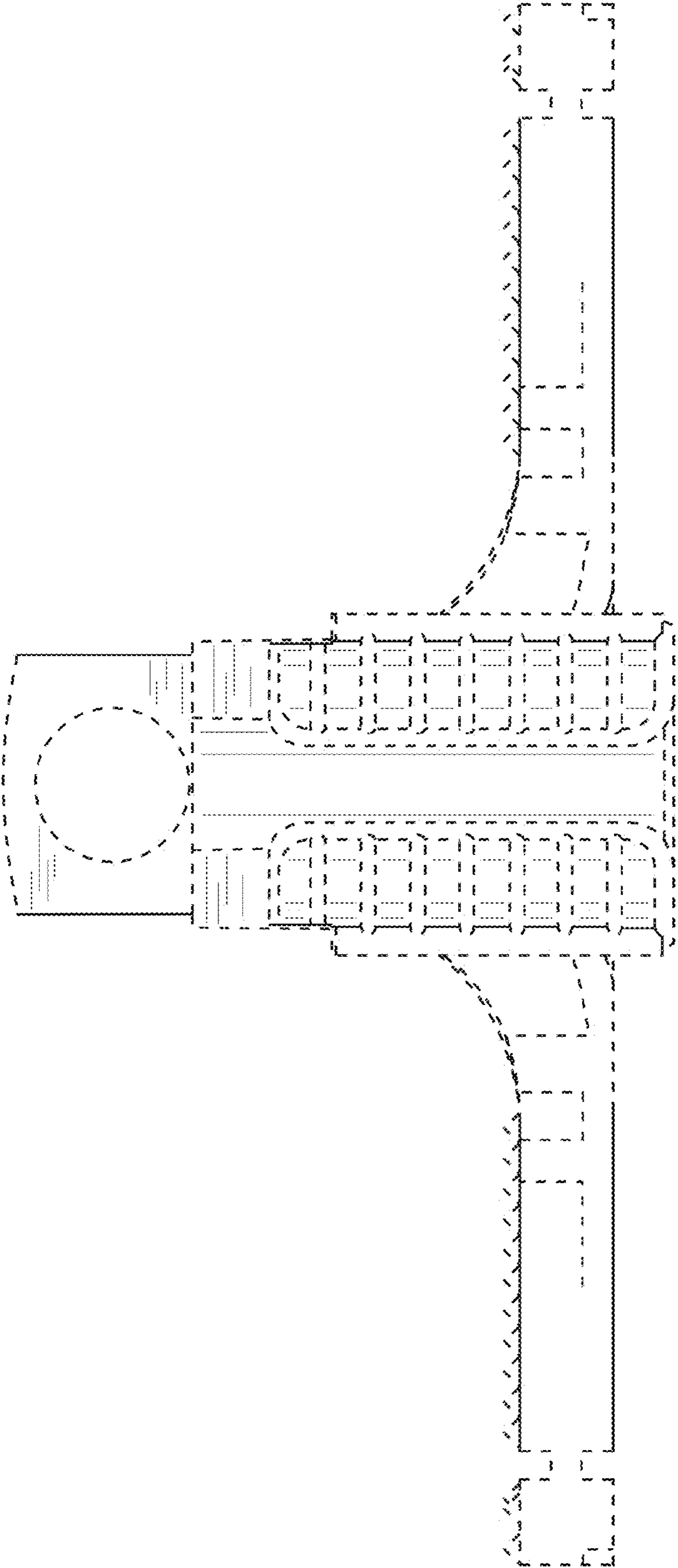


FIG. 3

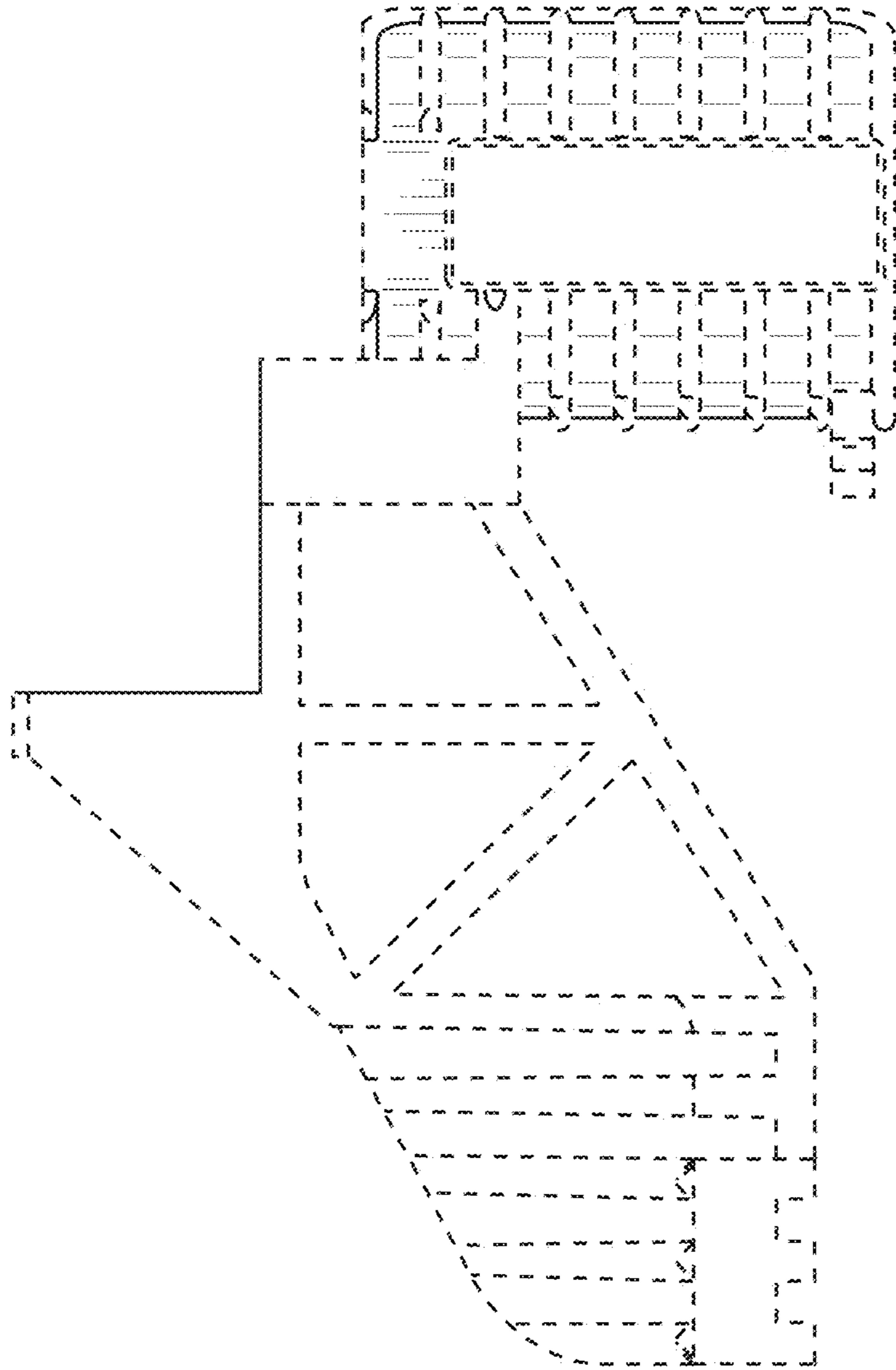


FIG. 4

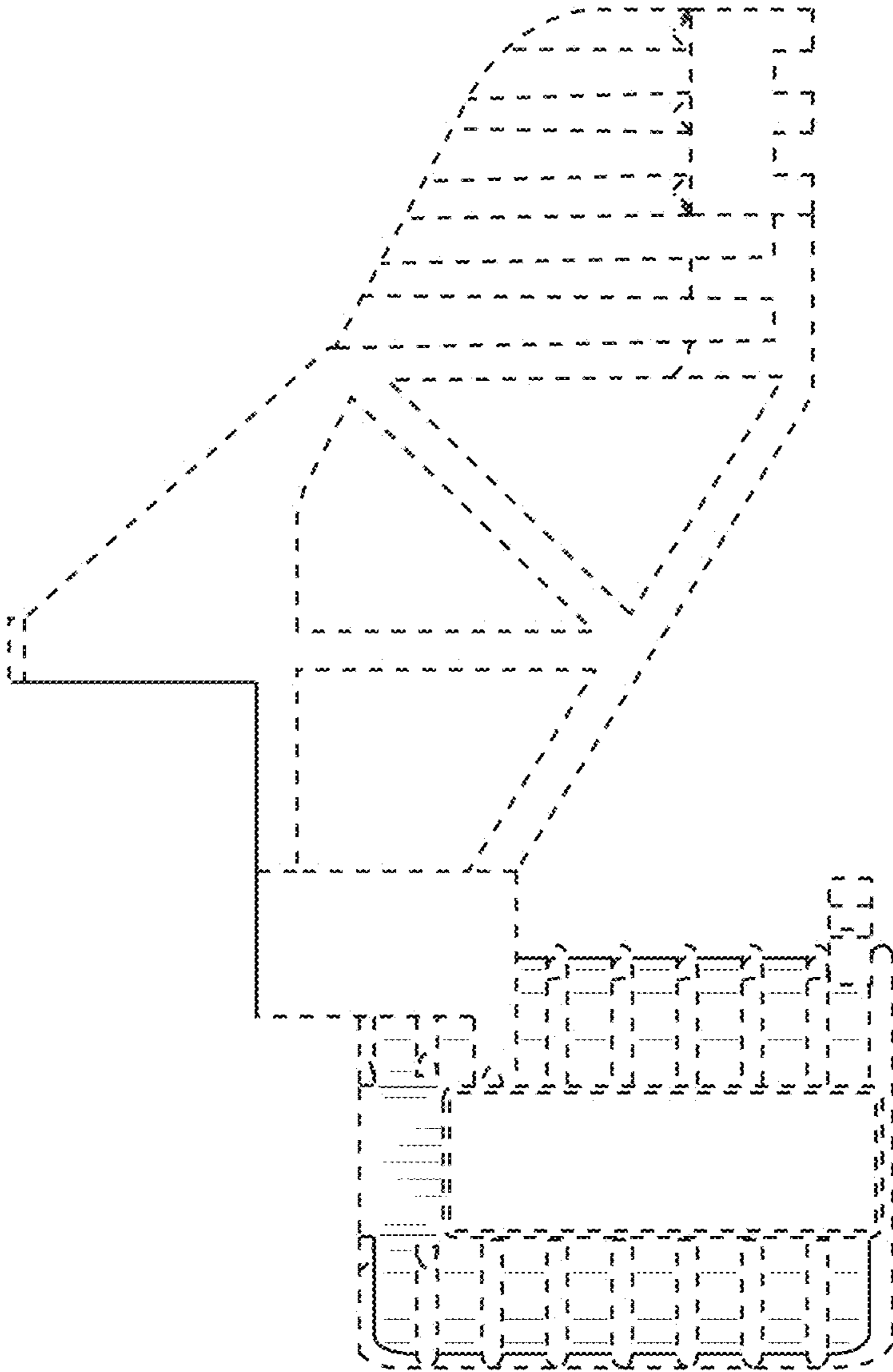


FIG. 5

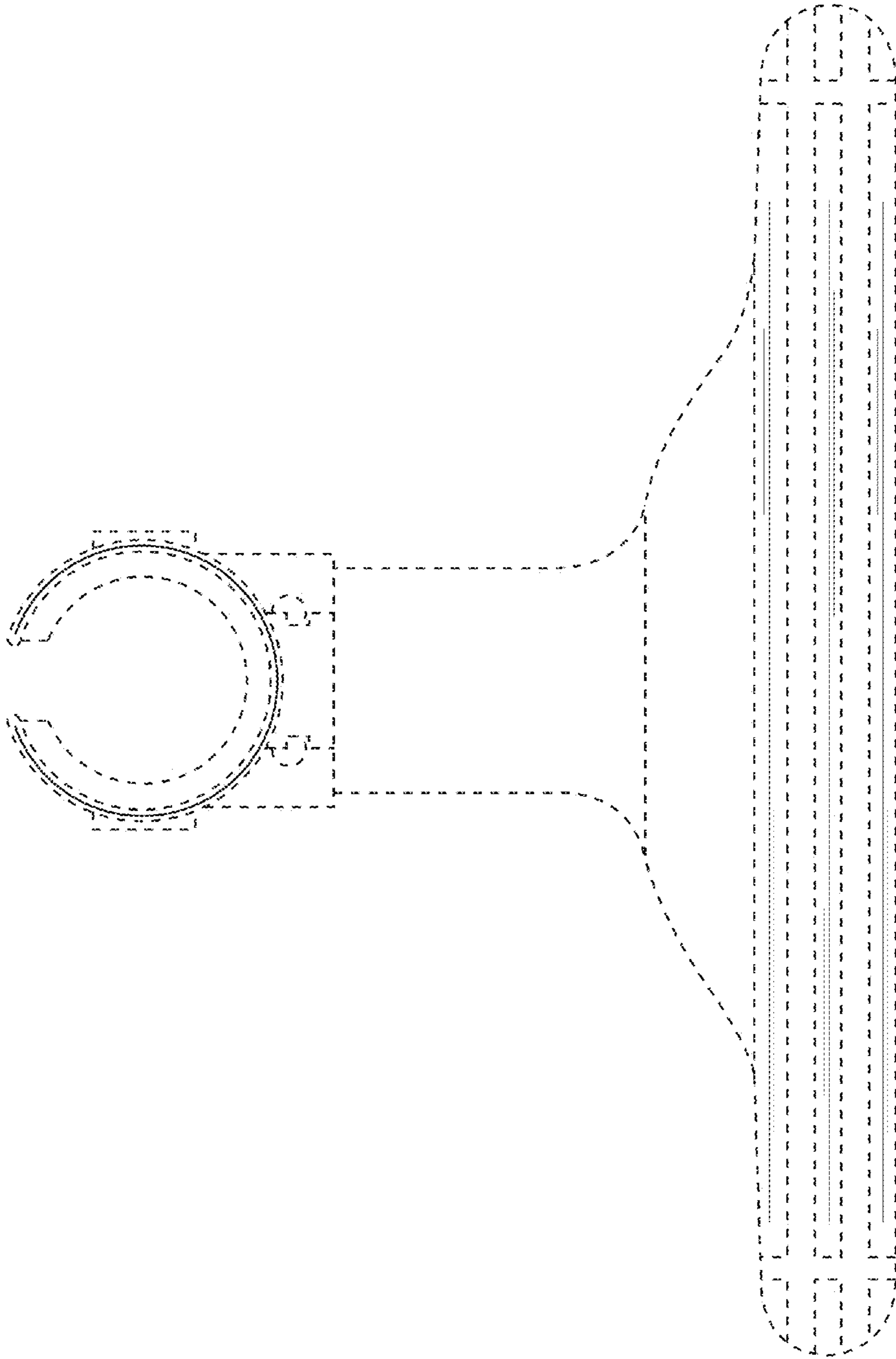


FIG. 6

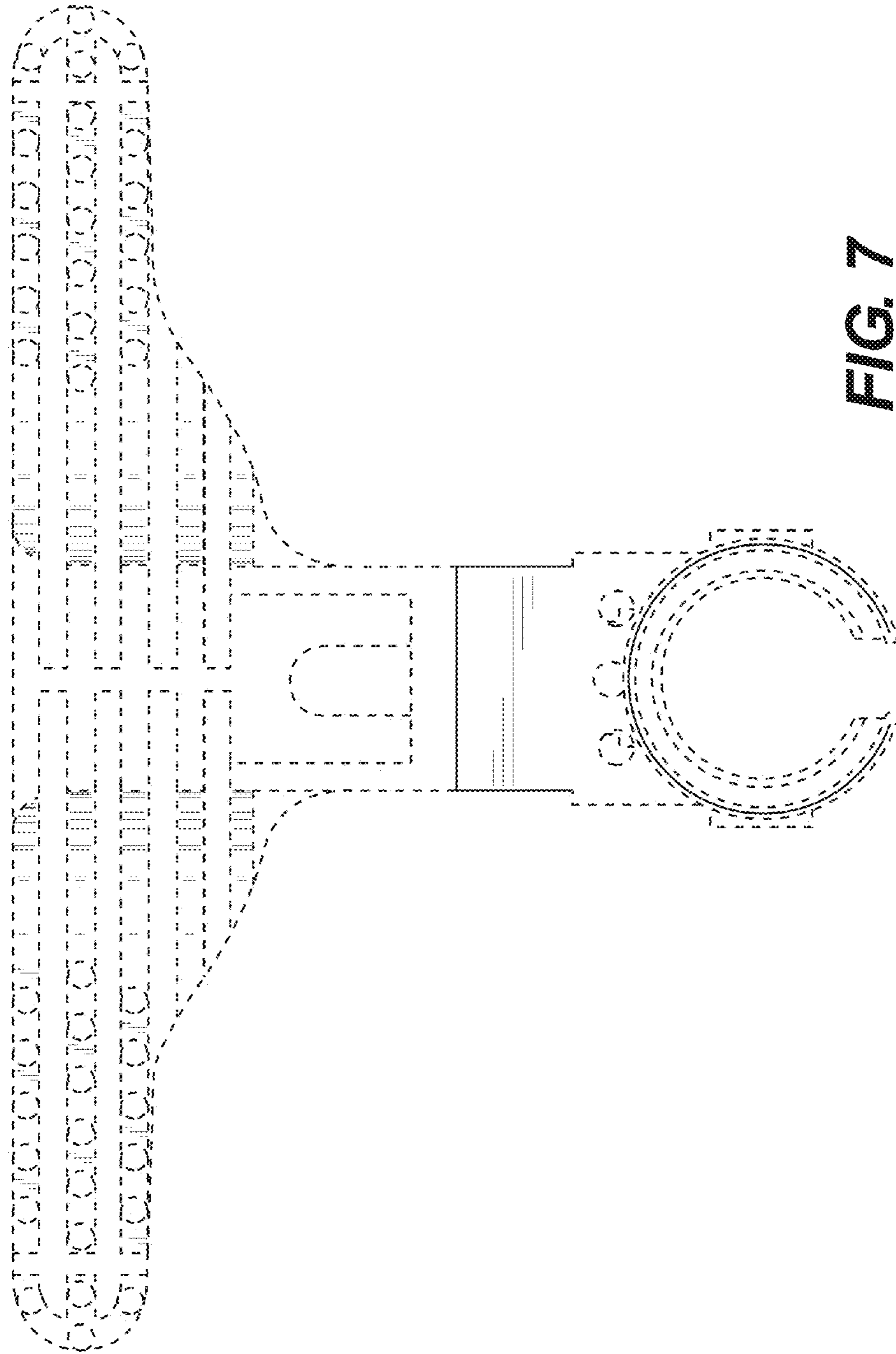


FIG. 7