



US00D762798S

(12) **United States Design Patent**  
**Roelandt**

(10) **Patent No.:** **US D762,798 S**  
(45) **Date of Patent:** **\*\* Aug. 2, 2016**

- (54) **GOLF TEE GROUND INSERTION TOOL**
- (71) Applicant: **Ron Roelandt**, Sioux Falls, SD (US)
- (72) Inventor: **Ron Roelandt**, Sioux Falls, SD (US)
- (\*\*) Term: **14 Years**
- (21) Appl. No.: **29/525,611**
- (22) Filed: **Apr. 30, 2015**
- (51) **LOC (10) Cl.** ..... **21-02**
- (52) **U.S. Cl.**  
USPC ..... **D21/793; D21/789**
- (58) **Field of Classification Search**  
USPC ..... D21/717, 718, 789, 793, 796  
CPC ..... A63B 57/0037; A63B 57/15  
See application file for complete search history.

- 7,223,184 B2 \* 5/2007 Suwito ..... A63B 57/0037  
473/386
- 7,841,096 B1 \* 11/2010 Jenkins ..... A63B 57/0037  
33/485
- 7,850,550 B2 \* 12/2010 Nania ..... A63B 57/0037  
473/386
- D676,918 S \* 2/2013 Jenkins ..... D21/789
- D736,333 S \* 8/2015 Schumaier ..... D21/793

\* cited by examiner

*Primary Examiner* — Mitchell Siegel

(57) **CLAIM**  
The ornamental design for a golf tee ground insertion tool, as shown and described.

**DESCRIPTION**

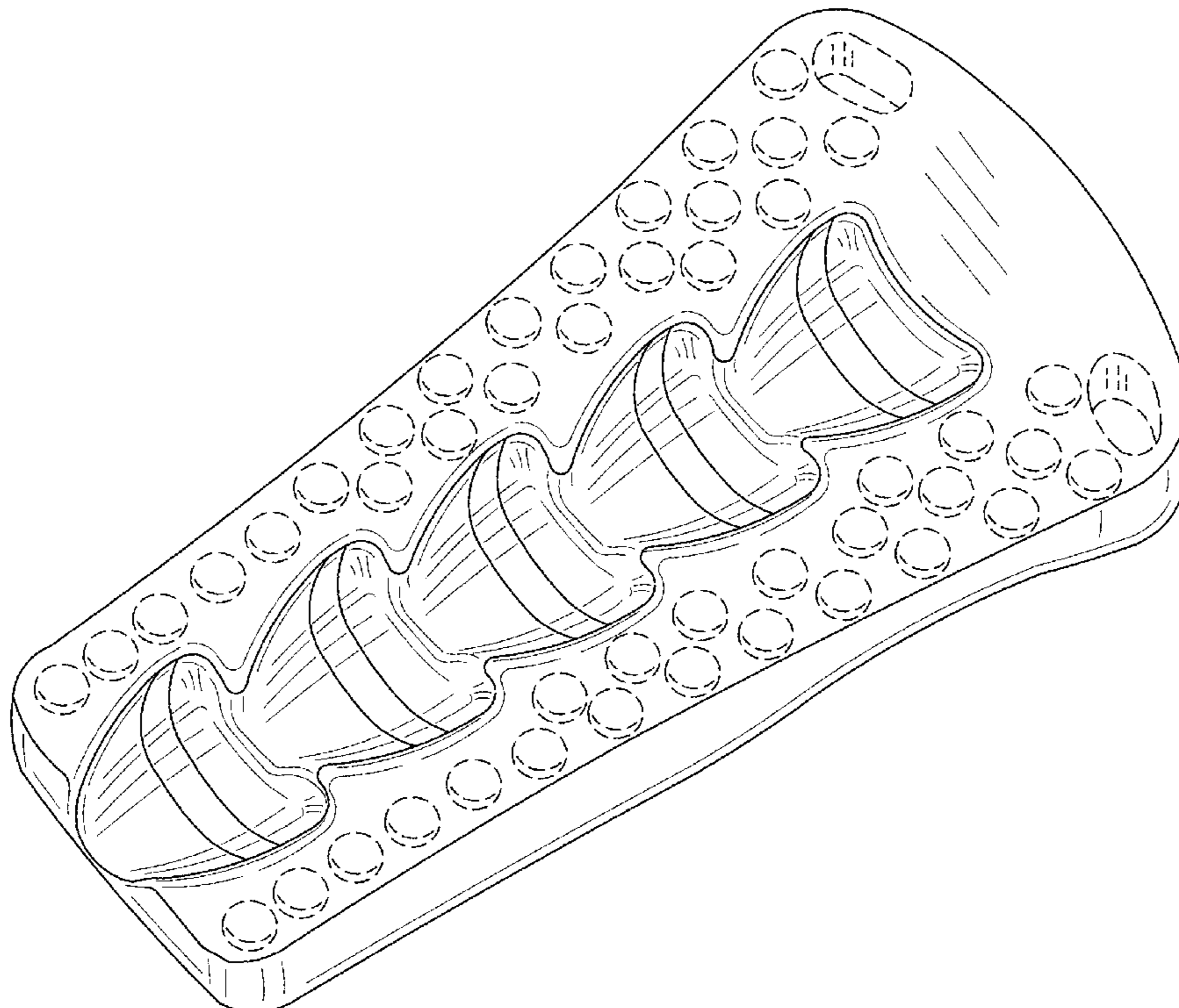
FIG. 1 is a front view of a golf tee ground insertion tool showing my new design;  
 FIG. 2 is a rear view of the golf tee ground insertion tool;  
 FIG. 3 is a left side view of the golf tee ground insertion tool, a right side view being a mirror image thereof;  
 FIG. 4 is a top view of the golf tee ground insertion tool;  
 FIG. 5 is a bottom view of the golf tee ground insertion tool;  
 and,  
 FIG. 6 is a bottom perspective view of the golf tee ground insertion tool.  
 The broken line showing is included for the purpose of illustrating and forms no part of the claimed design.

**1 Claim, 5 Drawing Sheets**

(56) **References Cited**

U.S. PATENT DOCUMENTS

- 4,896,883 A 1/1990 Wagenknecht
- 4,982,510 A \* 1/1991 Musillo ..... A63B 57/0037  
33/833
- D344,779 S \* 3/1994 Axne ..... D21/793
- 5,634,862 A \* 6/1997 Gamache ..... A63B 57/10  
473/386
- 5,735,758 A \* 4/1998 Miketinac ..... A63B 57/0037  
473/386
- 5,913,737 A 6/1999 Park
- D468,385 S \* 1/2003 Fleischmann ..... D21/793
- D473,279 S \* 4/2003 Fleischmann ..... D21/789



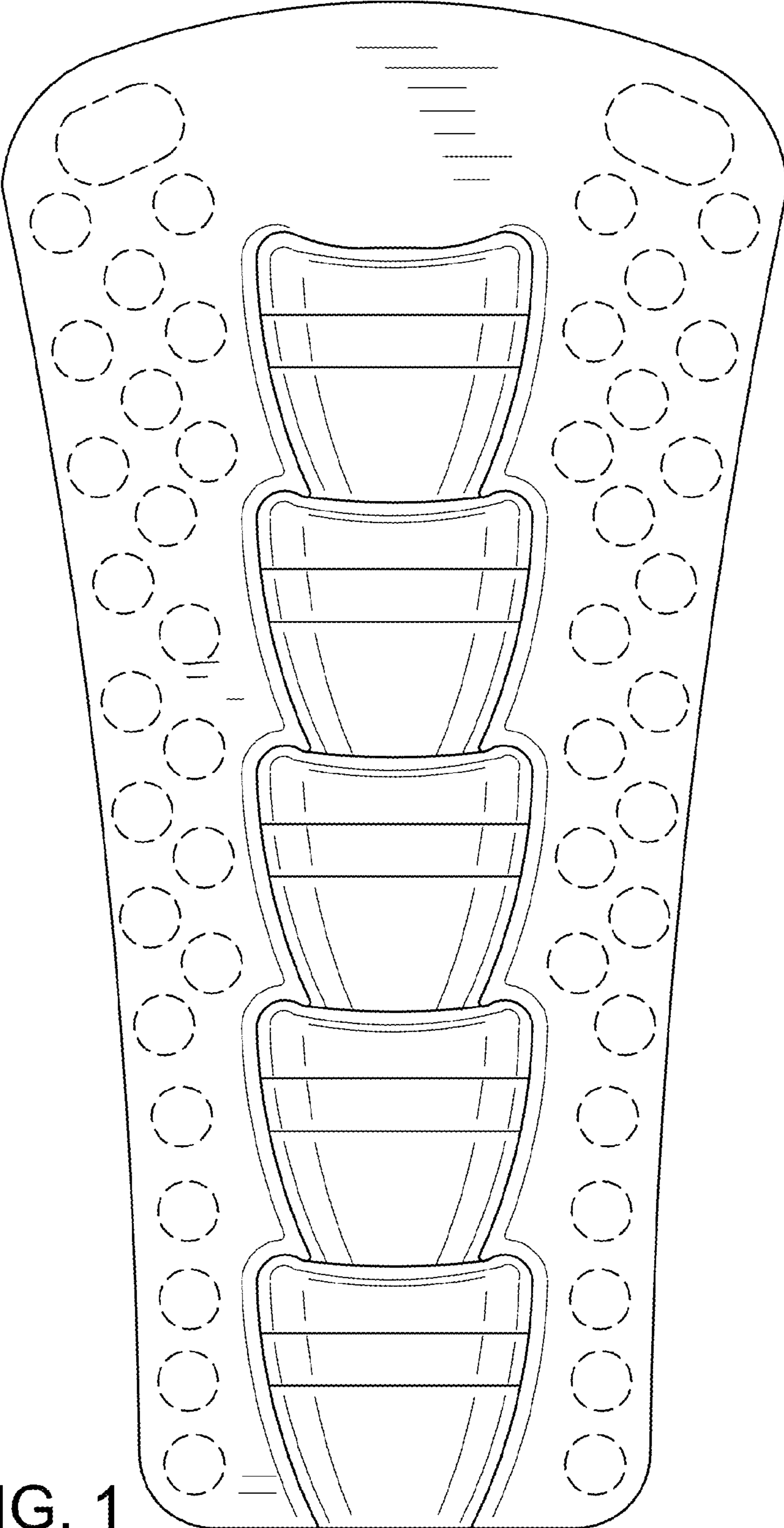


FIG. 1

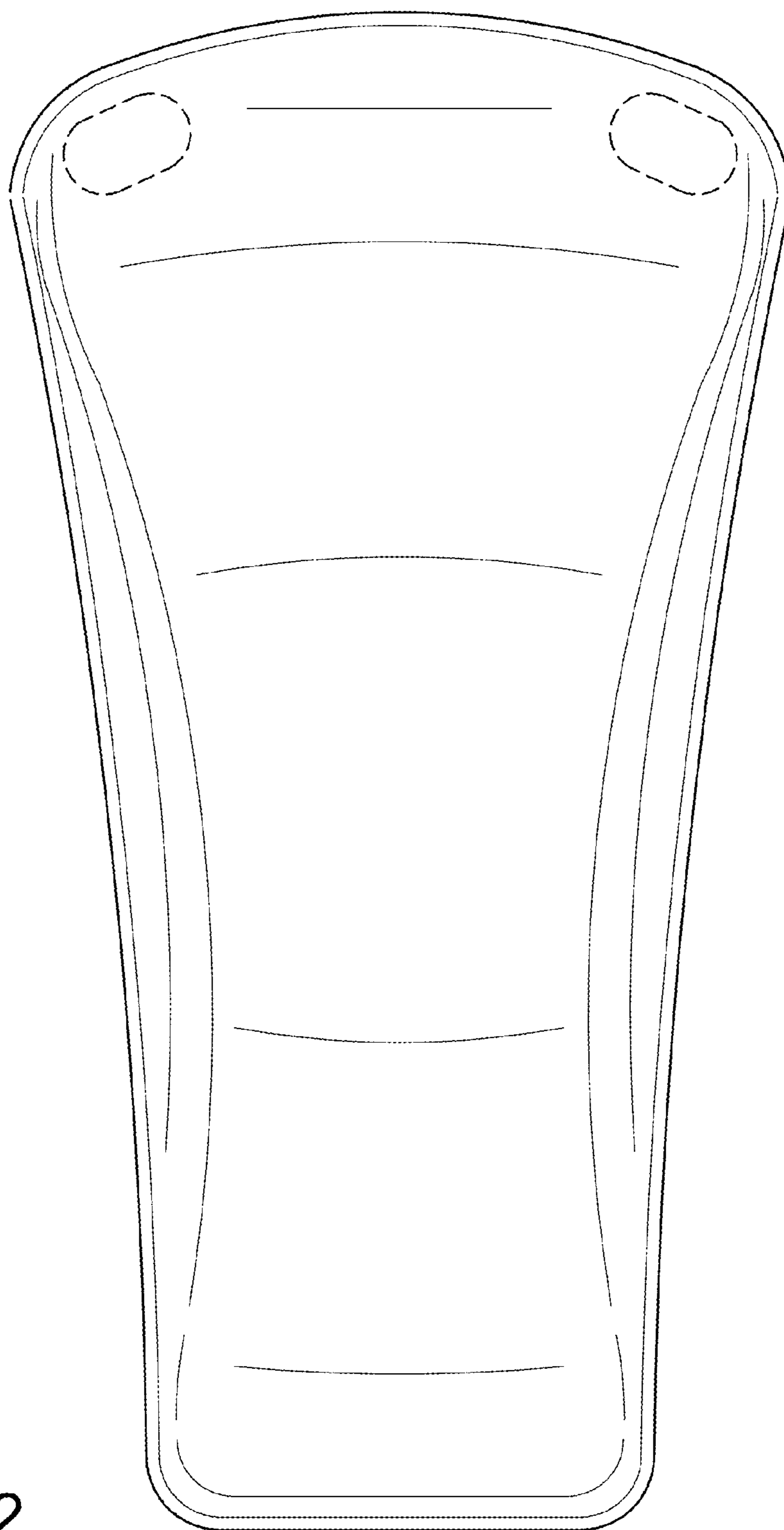


FIG. 2

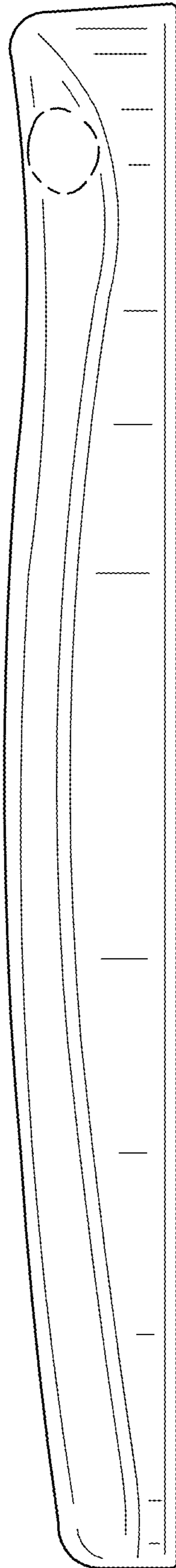


FIG. 3

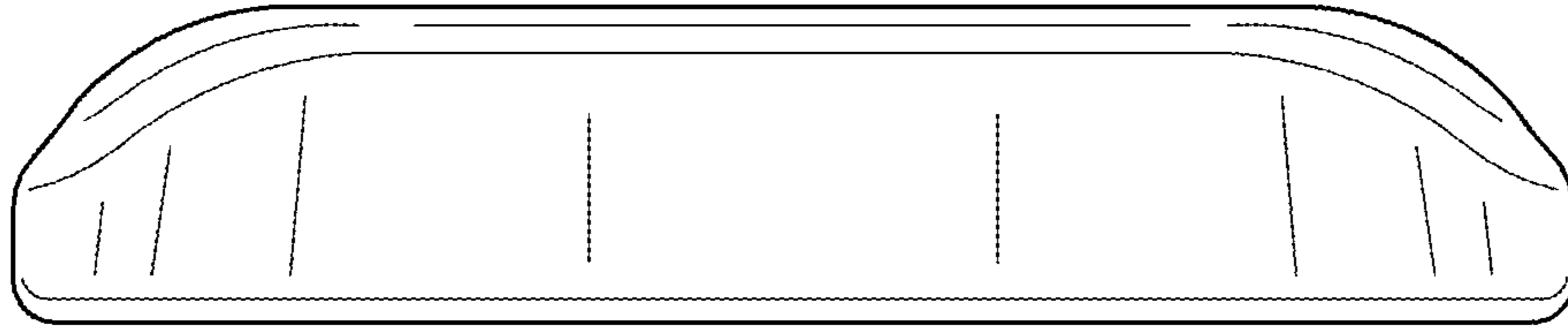


FIG. 4

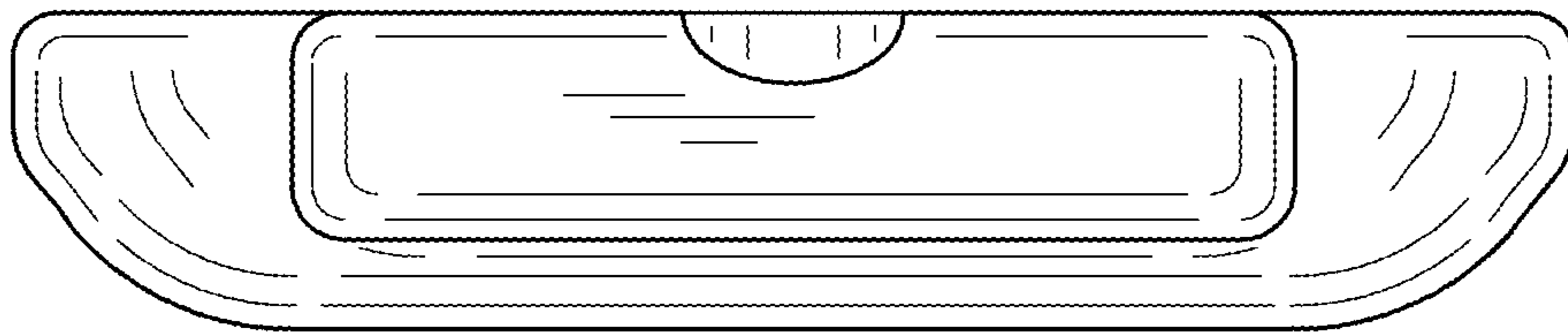


FIG. 5

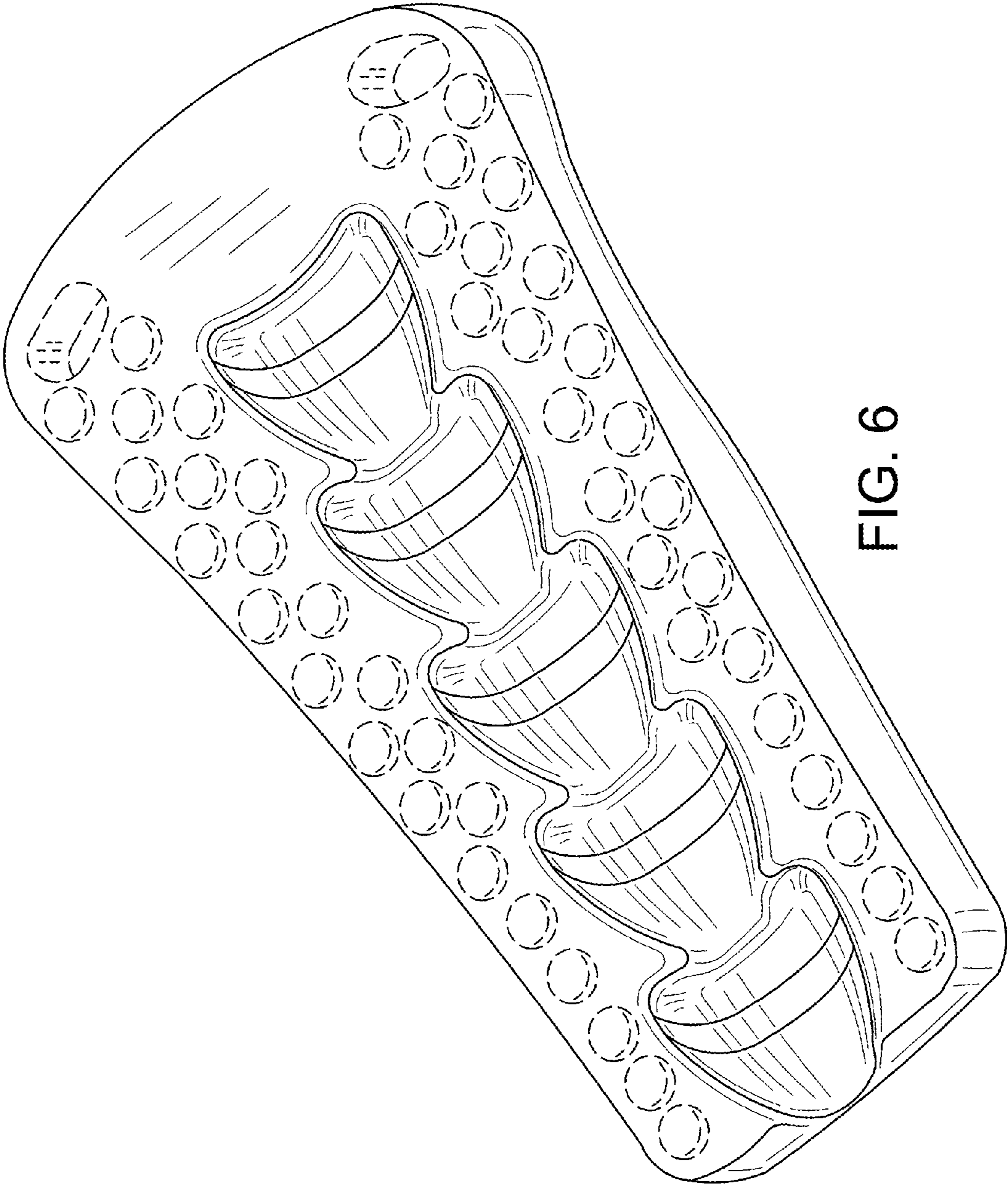


FIG. 6