



US00D762796S

(12) **United States Design Patent**
Pedersen et al.

(10) **Patent No.:** **US D762,796 S**
(45) **Date of Patent:** **** Aug. 2, 2016**

- (54) **SNOW ACCESSORY**
- (71) Applicant: **Tech 4 Kids Inc.**, Mississauga (CA)
- (72) Inventors: **Bradley D. Pedersen**, Mississauga (CA); **Kyle Jeffs**, Mississauga (CA)
- (73) Assignee: **Tech 4 Kids, Inc.**, Mississauga (CA)
- (**) Term: **14 Years**
- (21) Appl. No.: **29/504,096**
- (22) Filed: **Oct. 2, 2014**
- (51) **LOC (10) Cl.** **21-02**
- (52) **U.S. Cl.**
USPC **D21/772**
- (58) **Field of Classification Search**
USPC D21/760, 761, 765, 766, 801, 803;
441/65-66, 68-69, 72-75, 79; D12/6;
280/11.3, 11.31, 601-606, 609-610
CPC A63C 5/04
See application file for complete search history.

D537,140 S *	2/2007	Battistoni	D21/773
D624,138 S *	9/2010	Girard	D21/773
D626,616 S *	11/2010	Girard	D21/773
D627,027 S *	11/2010	Girard	D21/773
D647,156 S *	10/2011	Svendsen	D21/773
D650,461 S *	12/2011	Svendsen	D21/773
D697,569 S *	1/2014	Svendsen	D21/766
2012/0187643 A1 *	7/2012	Wollo	A63C 9/20 280/11.31

* cited by examiner

Primary Examiner — Zenia Bennett

(74) *Attorney, Agent, or Firm* — Adam K. Sacharoff; Much Shelist

(57) **CLAIM**

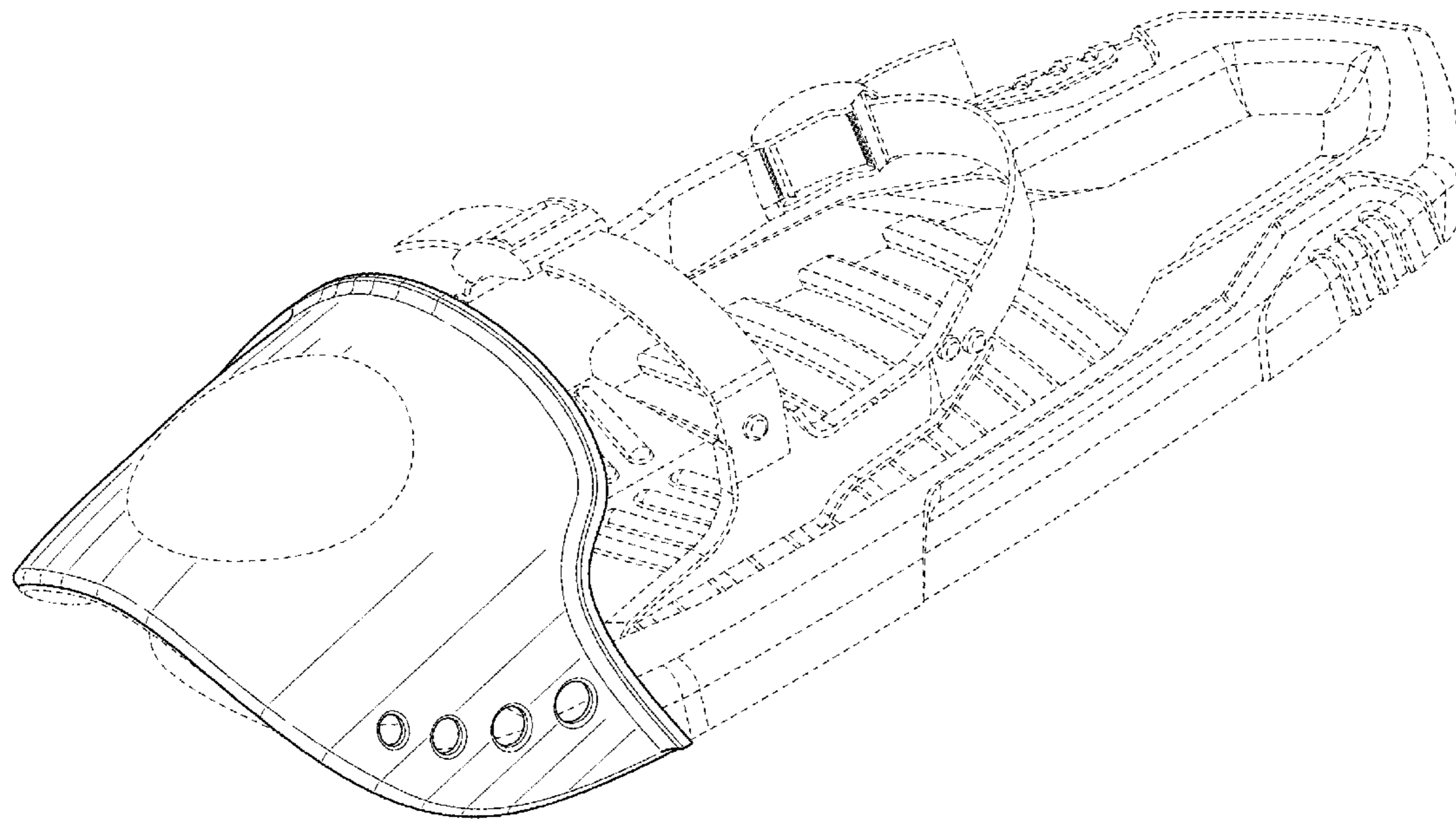
The ornamental design for a snow accessory, as shown and described.

DESCRIPTION

FIG. 1 is a top right perspective view showing a second embodiment of the snow accessory;
 FIG. 2 is a left side view thereof;
 FIG. 3 is a right side view thereof;
 FIG. 4 is a front view thereof;
 FIG. 5 is a back view thereof;
 FIG. 6 is a top plan view thereof; and,
 FIG. 7 is a bottom plan view thereof.
 The broken lines are for environmental purposes only and form no part of the claimed design.

1 Claim, 4 Drawing Sheets

- (56) **References Cited**
U.S. PATENT DOCUMENTS
- 5,480,175 A * 1/1996 Astier A63C 9/003
280/602
- 5,746,439 A * 5/1998 Boehm A63C 9/003
280/602



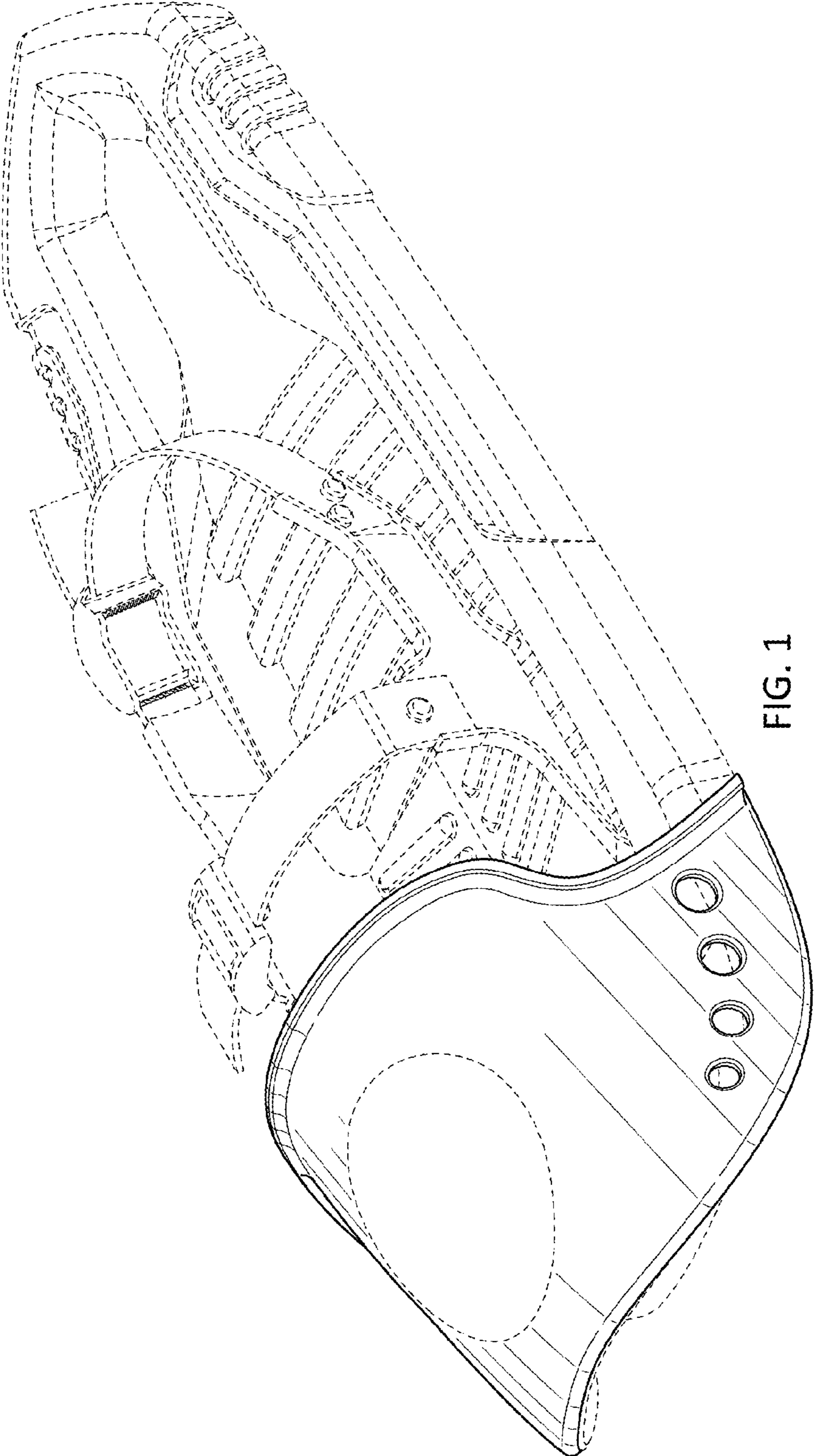


FIG. 1

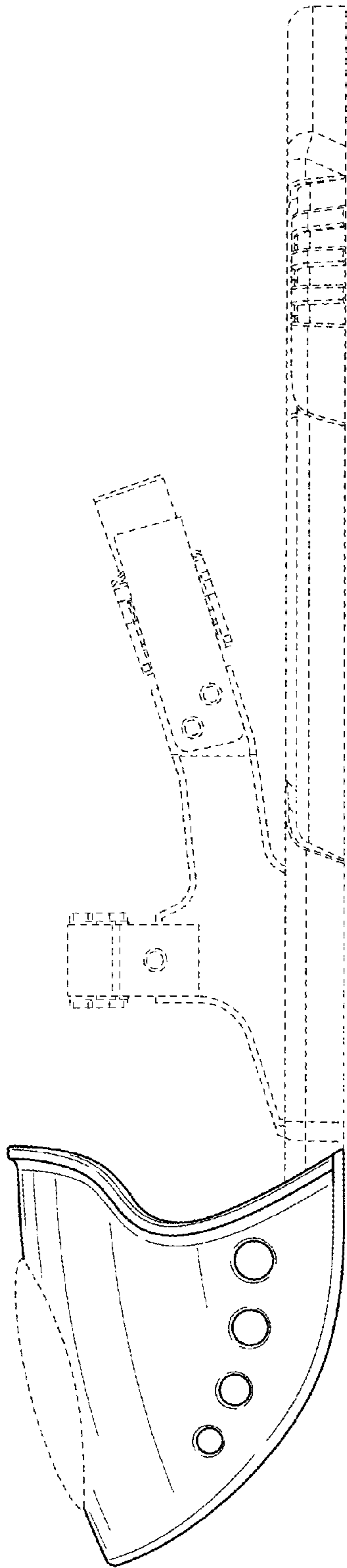


FIG. 2

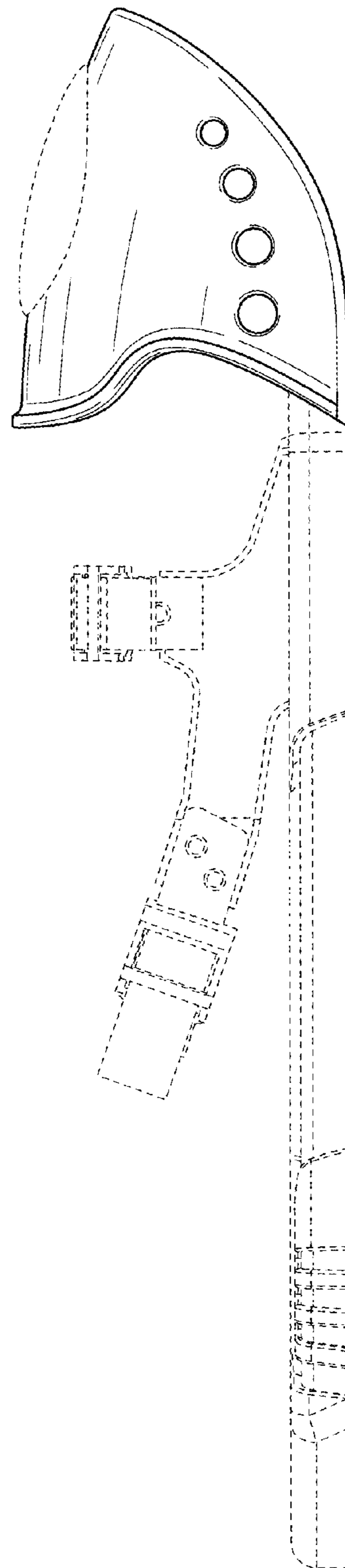


FIG. 3

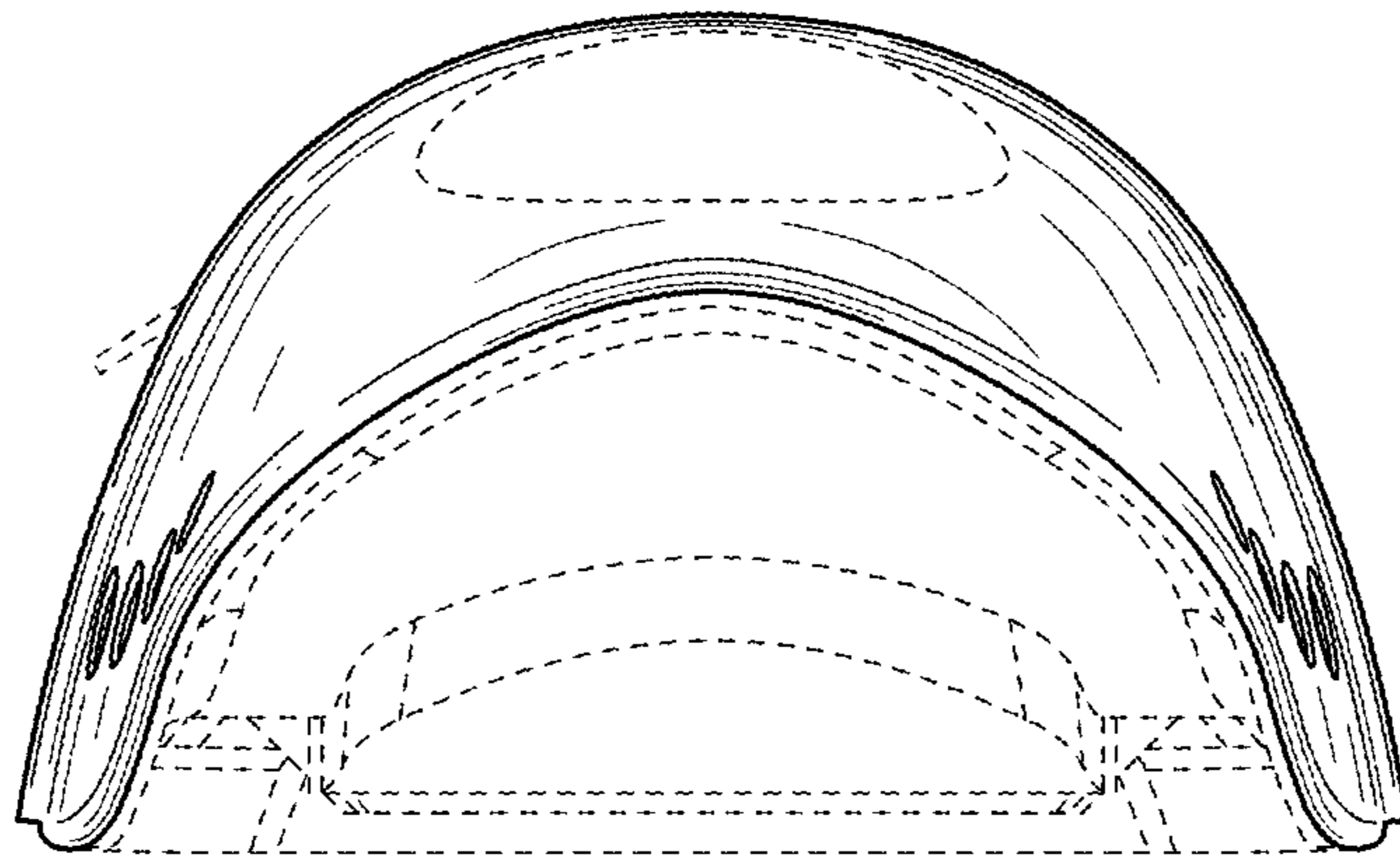


FIG. 4

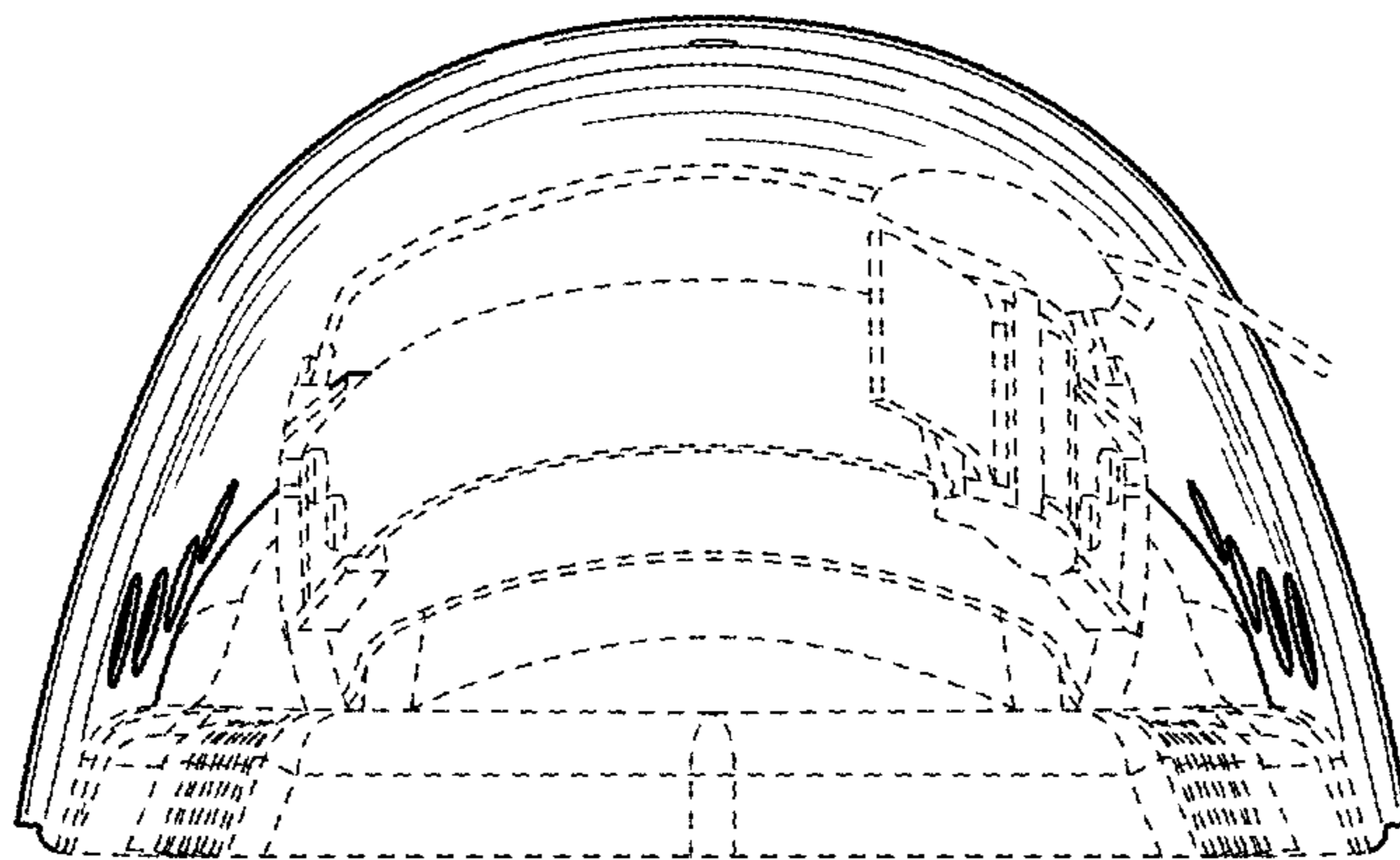


FIG. 5

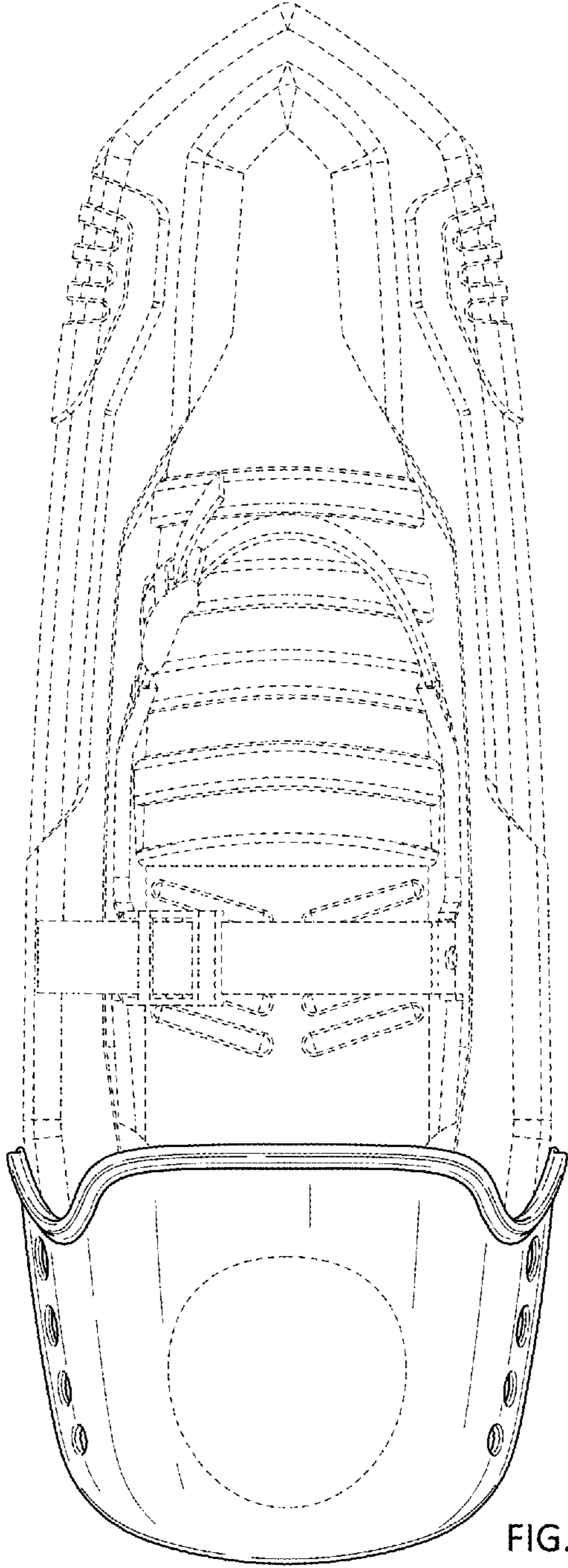


FIG. 6

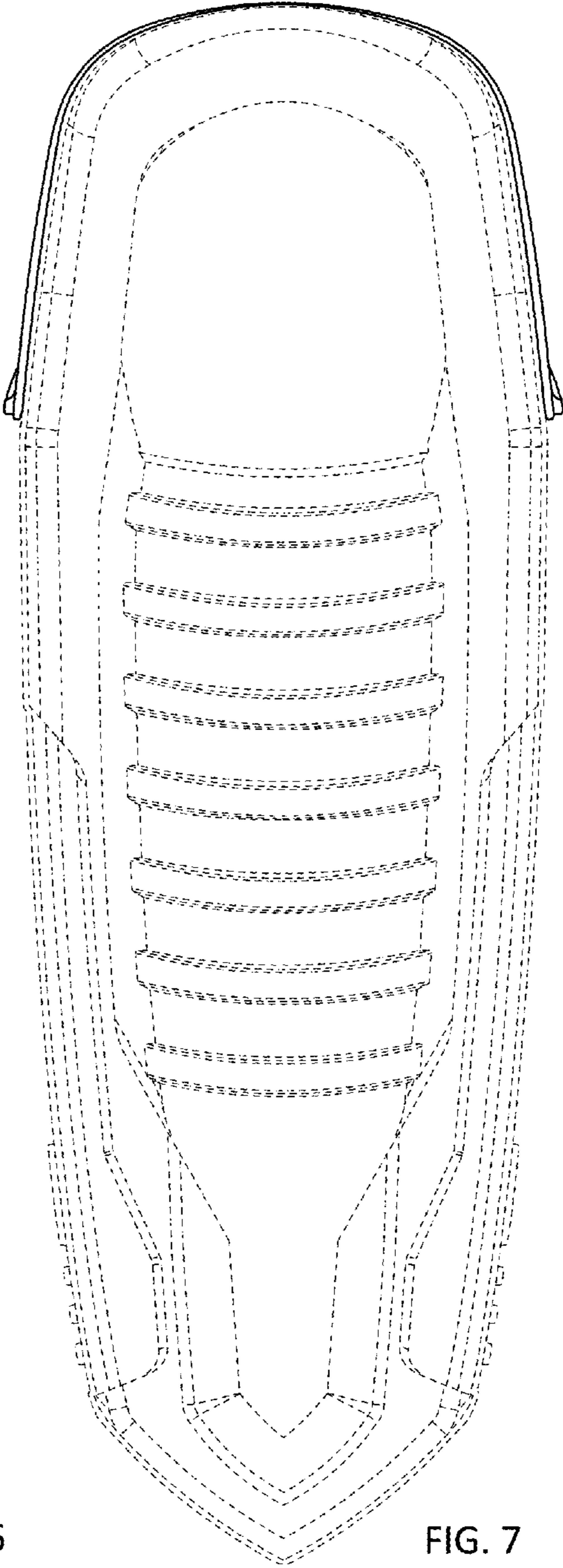


FIG. 7