

US00D762794S

(12) **United States Design Patent**
Wieland et al.

(10) **Patent No.:** **US D762,794 S**

(45) **Date of Patent:** **** Aug. 2, 2016**

(54) **GOLF CLUB HEAD**

(56) **References Cited**

(71) Applicant: **CALLAWAY GOLF COMPANY,**
Carlsbad, CA (US)

U.S. PATENT DOCUMENTS

(72) Inventors: **Chris J. Wieland,** Vista, CA (US);
Joshua D. Westrum, Vista, CA (US);
Philip G. Foster, Vista, CA (US); **Scott**
R. Manwaring, Carlsbad, CA (US)

D652,093	S	*	1/2012	Foster	D21/747
8,506,423	B2	*	8/2013	Oldknow	A63B 53/047
						473/346
D709,576	S	*	7/2014	Oldknow	D21/759
D709,974	S	*	7/2014	Oldknow	D21/759
D753,249	S	*	4/2016	Song	D21/749

* cited by examiner

(73) Assignee: **Callaway Golf Company,** Carlsbad, CA
(US)

Primary Examiner — Mitchell Siegel

(74) *Attorney, Agent, or Firm* — Michael Catania; Rebecca Hanovice; Sonia Lari

(**) Term: **14 Years**

(57) **CLAIM**

The ornamental design for a golf club head, as shown and described.

(21) Appl. No.: **29/511,593**

DESCRIPTION

(22) Filed: **Dec. 11, 2014**

(51) **LOC (10) Cl.** **21-02**

(52) **U.S. Cl.**
USPC **D21/759**

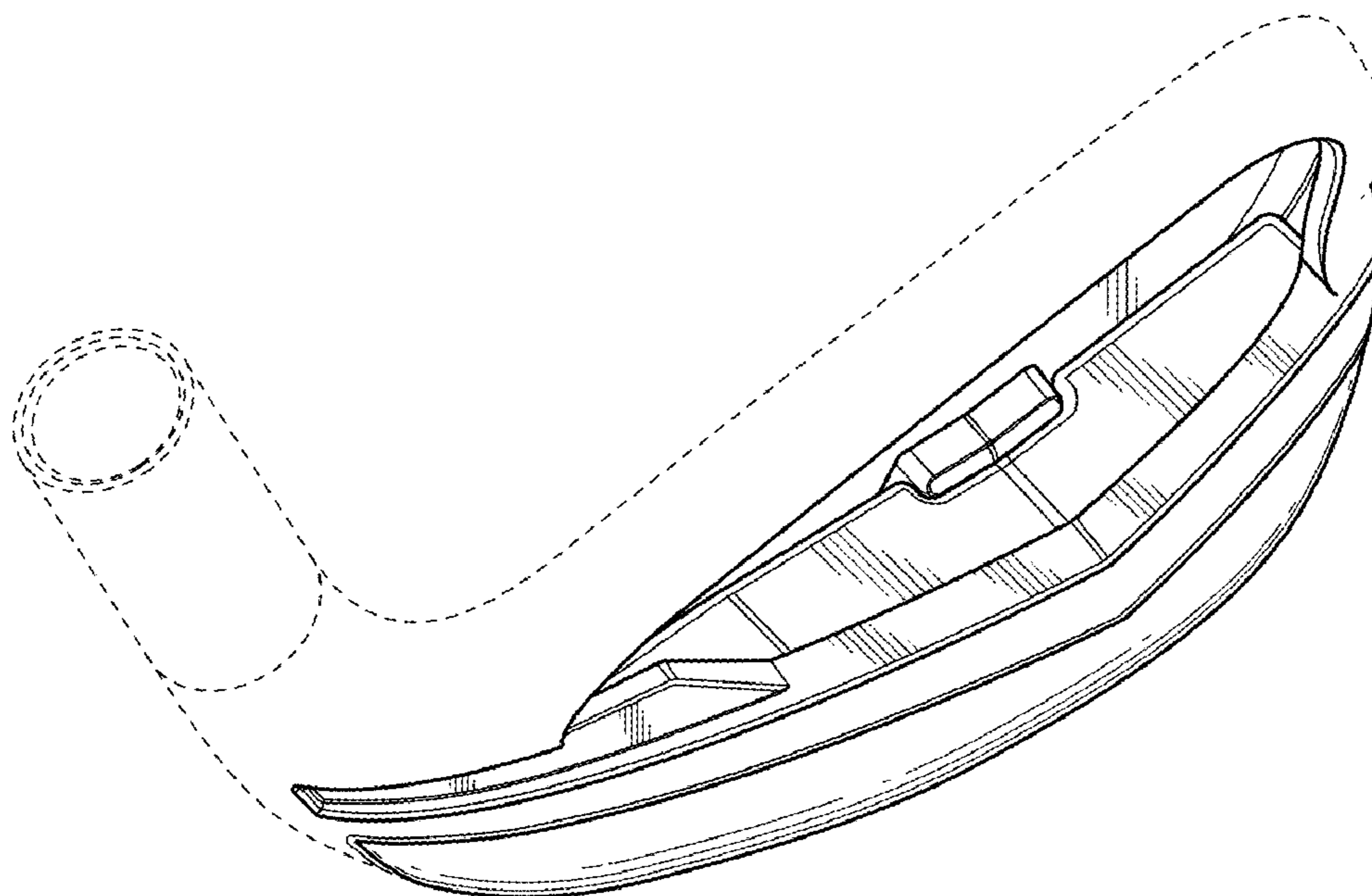
(58) **Field of Classification Search**
USPC D21/747-751, 759
CPC A63B 53/00; A63B 53/04; A63B 53/047;
A63B 53/0475; A63B 53/0445; A63B
2053/0479

FIG. 1 is a top perspective view of a golf club head;
FIG. 2 is a rear elevation view of the golf club head of FIG. 1;
FIG. 3 is a front elevation view of a golf club head of FIG. 1;
FIG. 4 is a top plan view of a golf club head of FIG. 1;
FIG. 5 is a bottom plan view of a golf club head of FIG. 1;
FIG. 6 is a heel-side elevation view of the golf club head of
FIG. 1; and,
FIG. 7 is a toe-side elevation view of the golf club head of
FIG. 1.

The broken line showing of is included for the purpose of illustrating and forms no part of the claimed design.

See application file for complete search history.

1 Claim, 3 Drawing Sheets



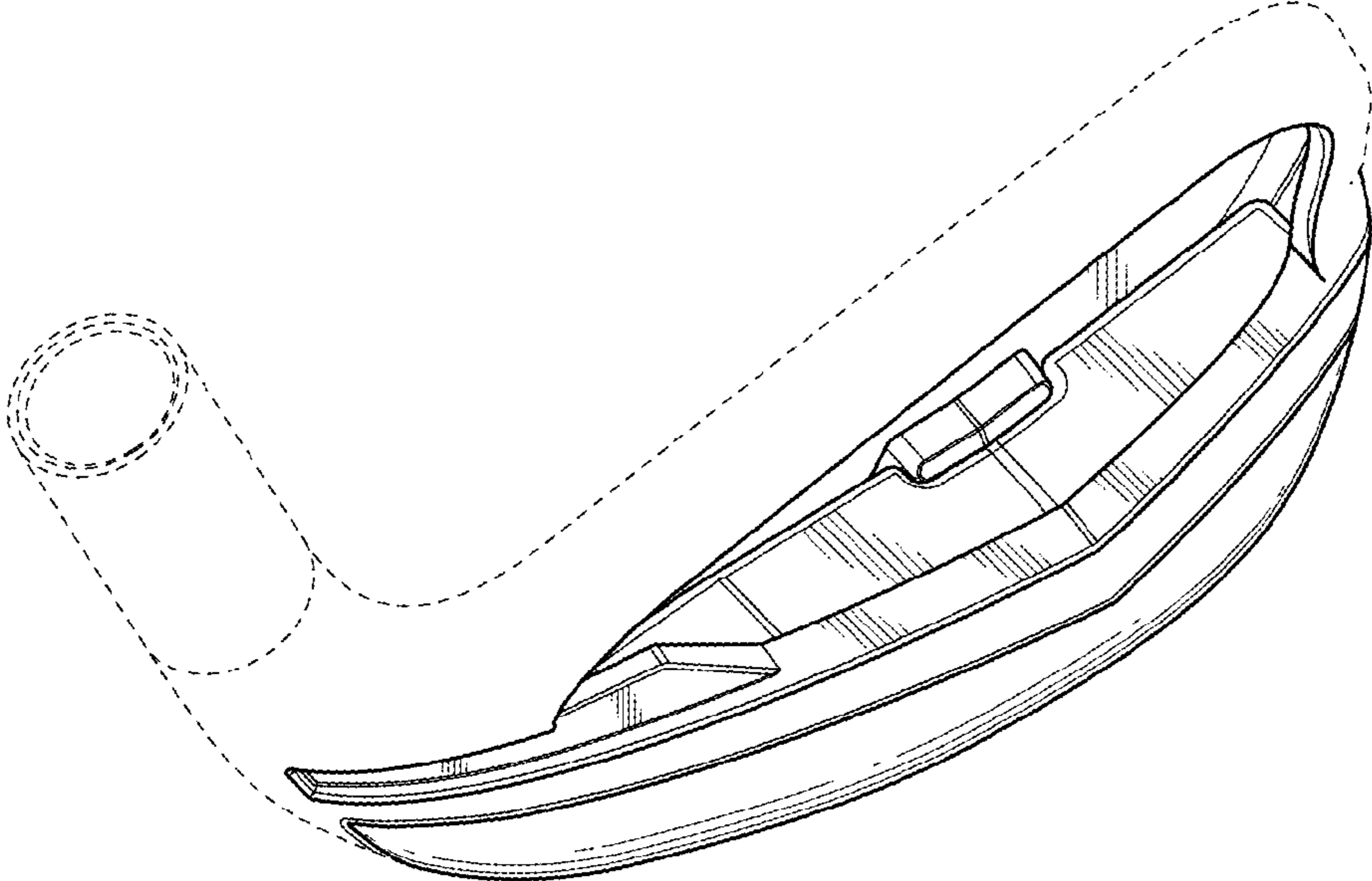


FIG. 1

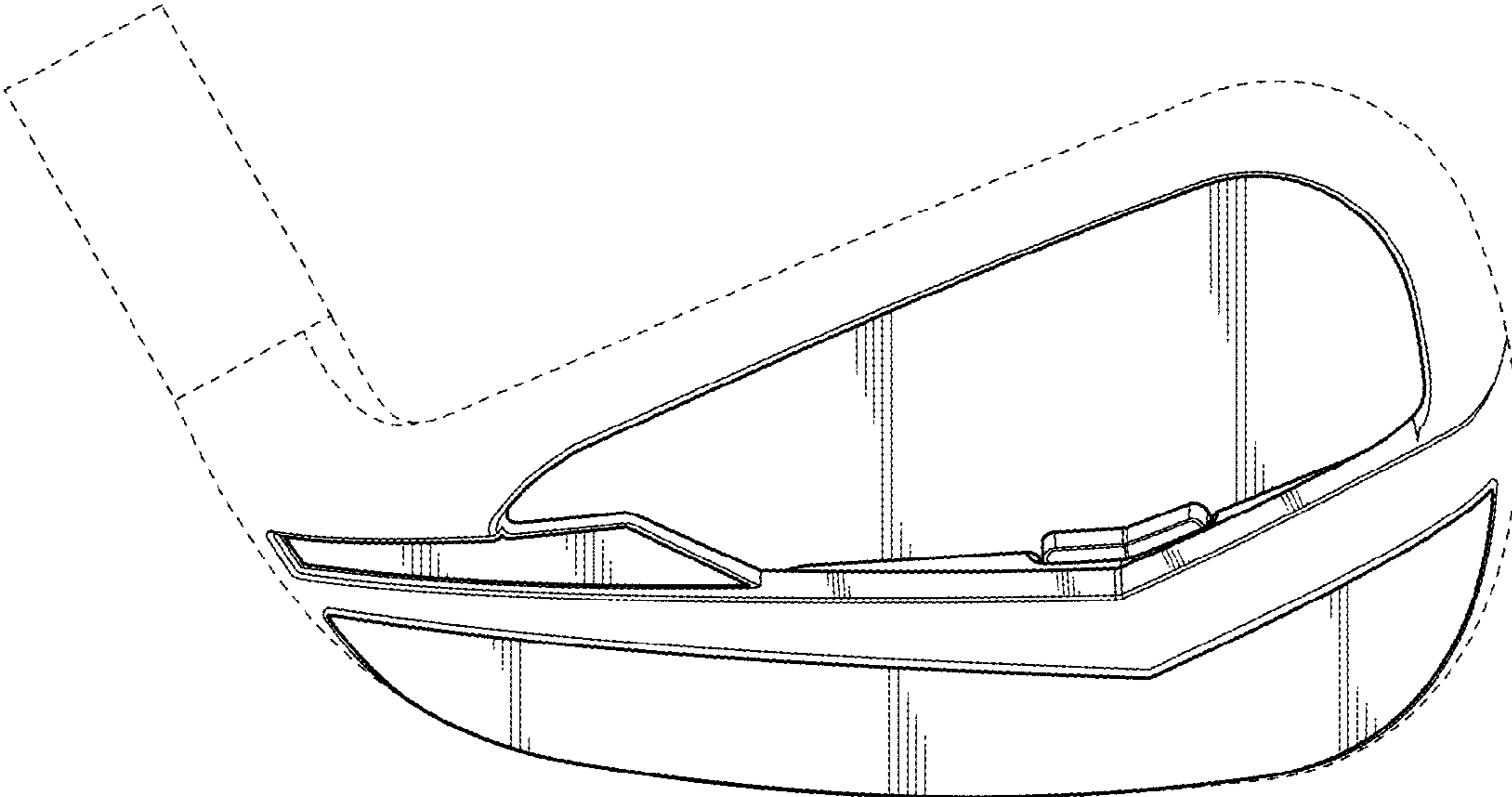


FIG. 2

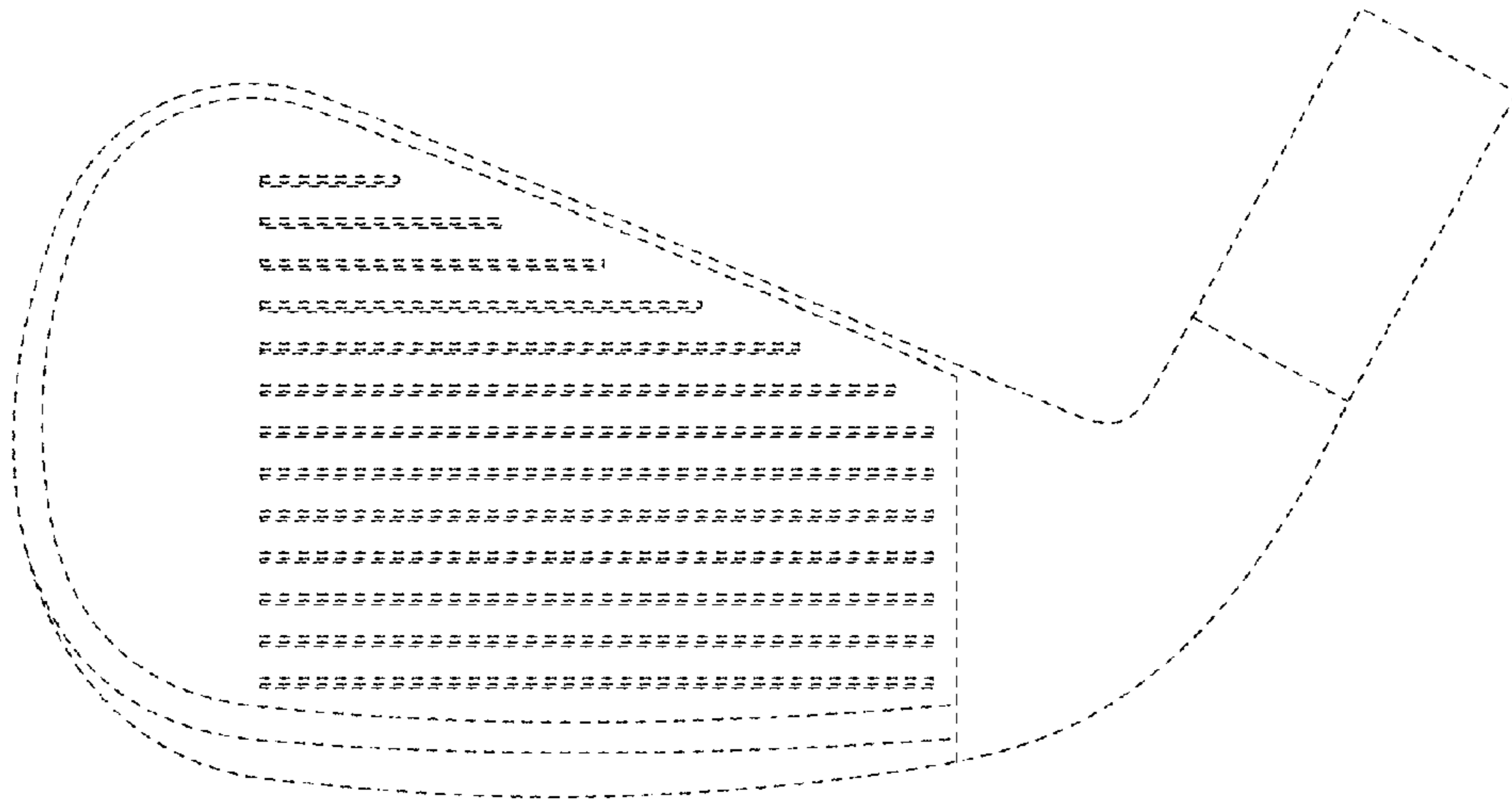


FIG. 3

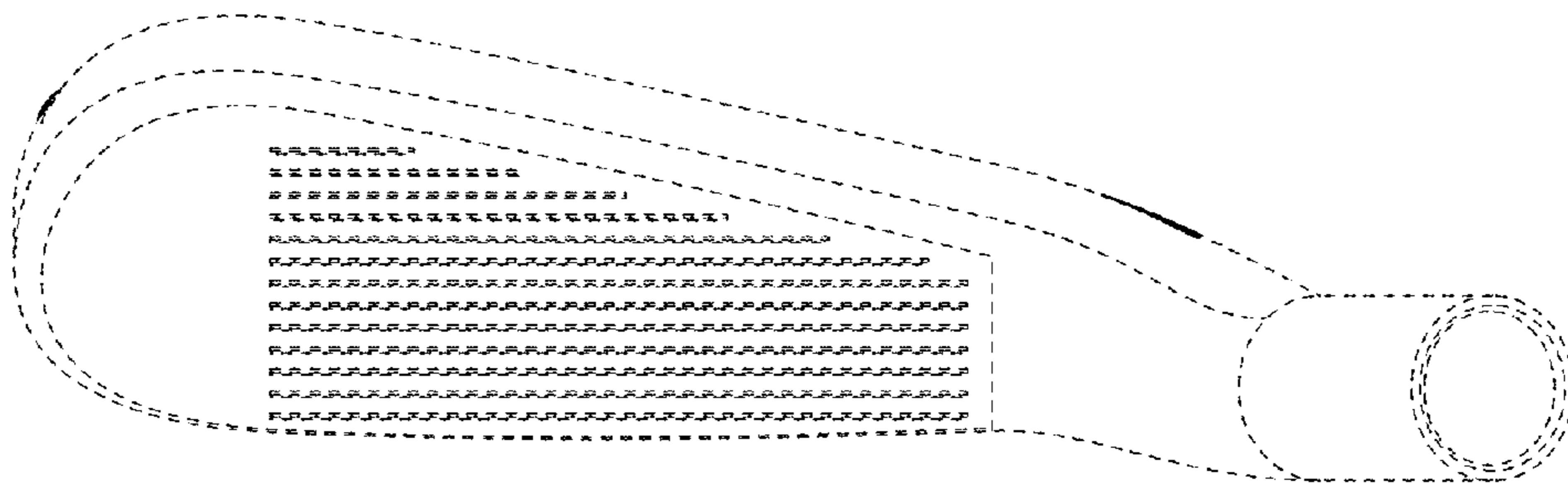


FIG. 4

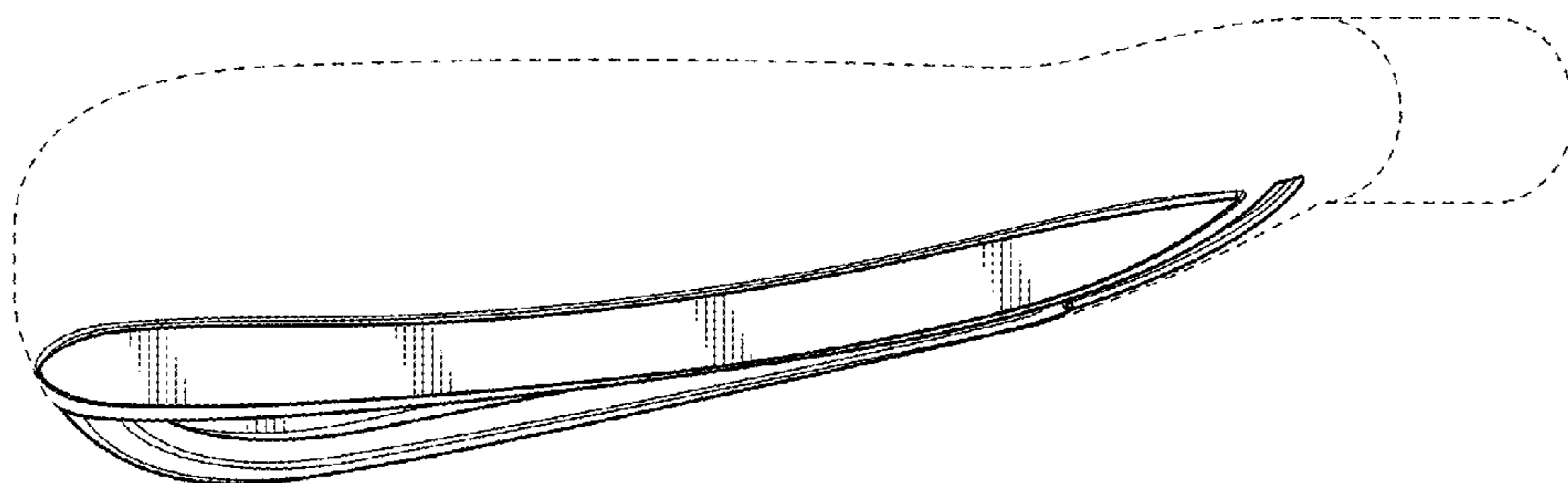


FIG. 5

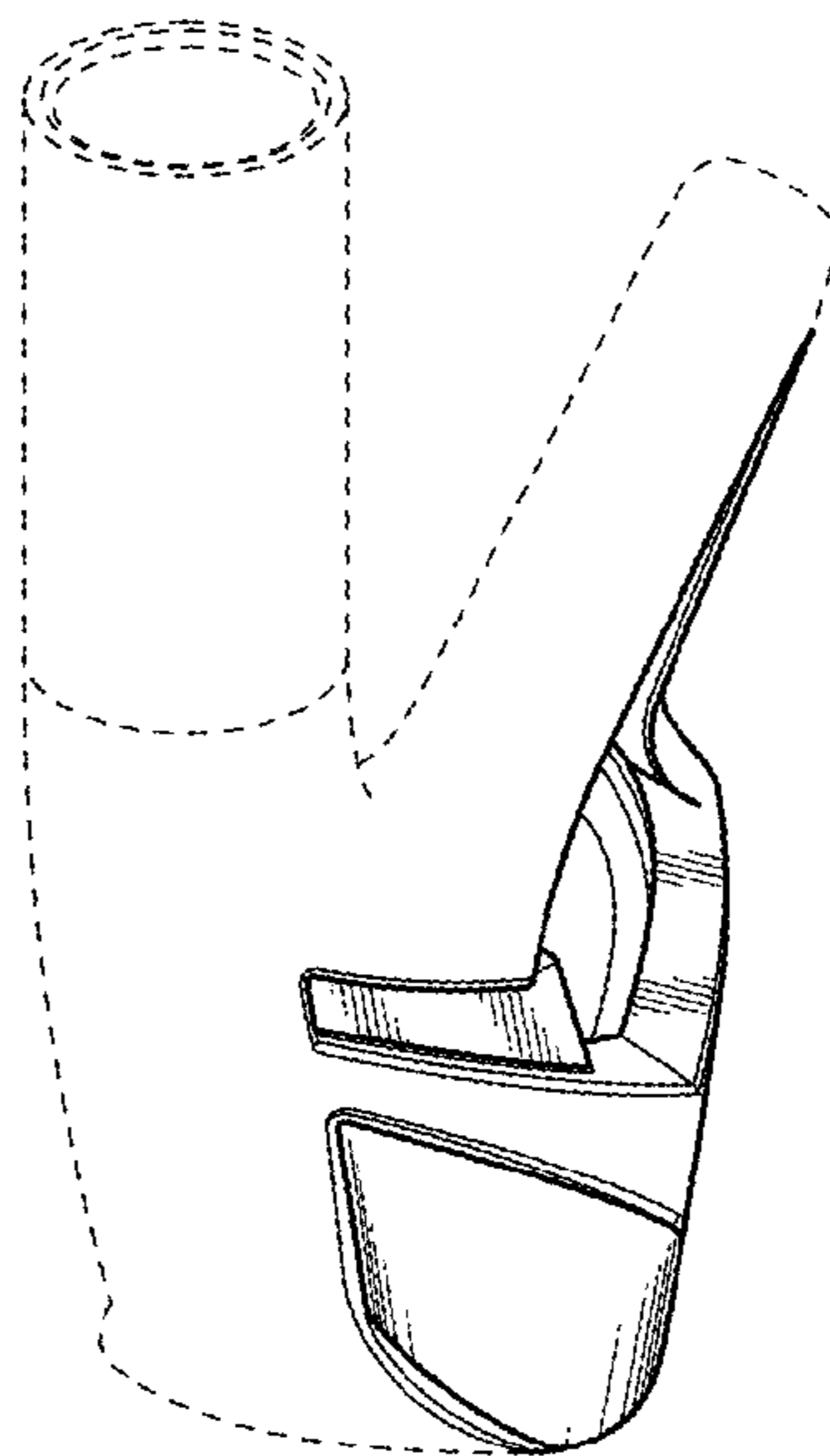


FIG. 6

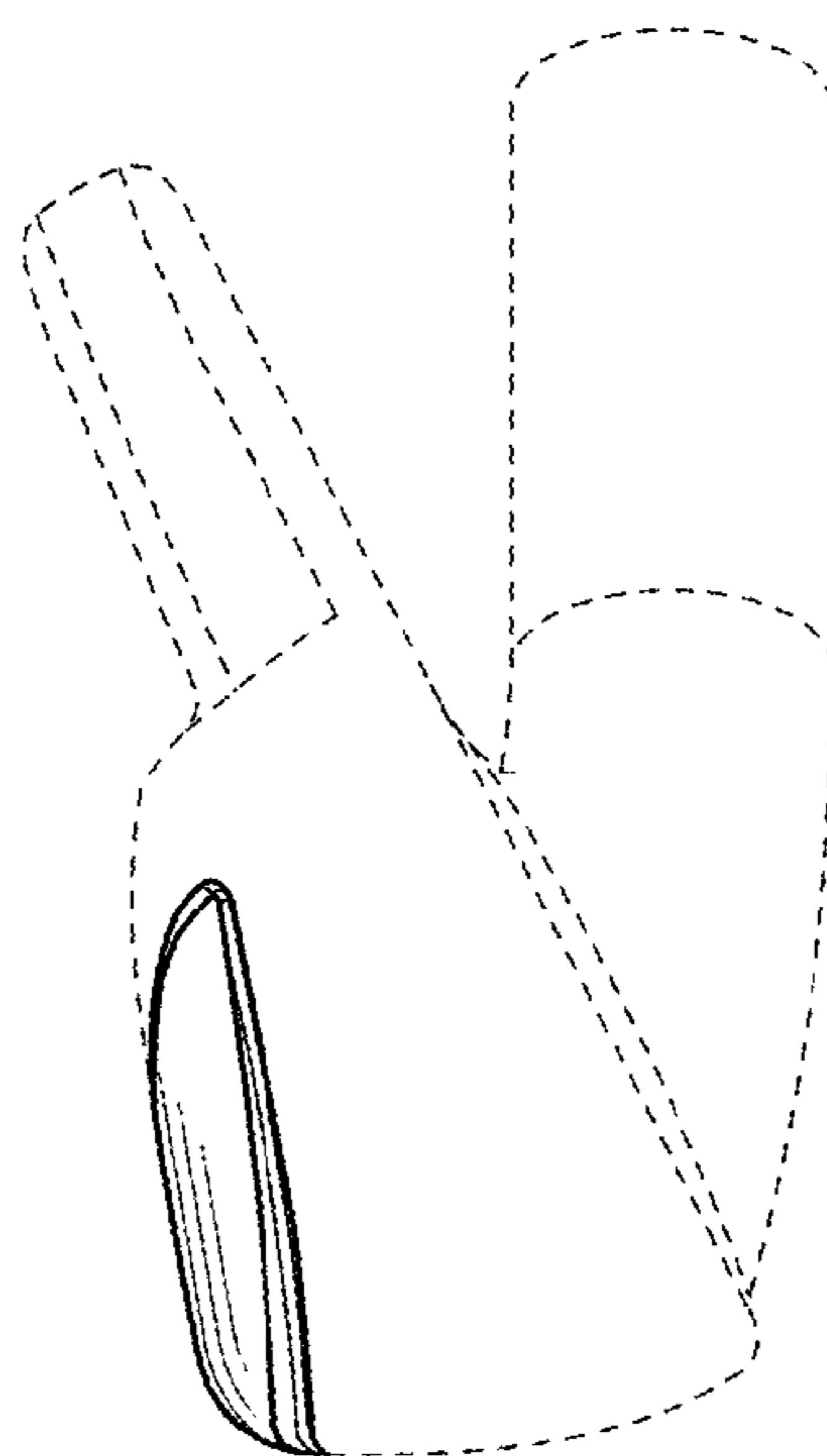


FIG. 7