

US00D762791S

(12) **United States Design Patent**  
**Pasquale et al.**

(10) **Patent No.:** **US D762,791 S**  
(45) **Date of Patent:** **\*\* Aug. 2, 2016**

(54) **HOOP TOY**

(71) Applicants: **Maria Pasquale**, Summit, NJ (US);  
**Jennifer Penton**, Santa Monica, CA (US)

(72) Inventors: **Maria Pasquale**, Summit, NJ (US);  
**Jennifer Penton**, Santa Monica, CA (US)

(\*\*) Term: **14 Years**

(21) Appl. No.: **29/481,024**

(22) Filed: **Jan. 31, 2014**

(51) **LOC (10) Cl.** ..... **21-02**

(52) **U.S. Cl.**  
USPC ..... **D21/701**

(58) **Field of Classification Search**  
USPC ..... D21/300–303, 305, 698, 699, 701–705;  
473/415, 416, 432, 433, 447, 459, 472,  
473/476, 479–489, 503; 273/398–410  
CPC ..... A63B 63/08; A63B 63/083; A63B  
2063/001; A63B 47/002; A63B 69/40; A63B  
2208/12; A63B 67/002; A63B 69/0071;  
A63B 71/023; A63B 67/06; A63F 9/0204;  
A63F 9/02

See application file for complete search history.

(56) **References Cited**

**U.S. PATENT DOCUMENTS**

611,504	A *	9/1898	Perky	273/400
854,640	A *	5/1907	Fuller	273/381
1,211,379	A *	1/1917	Maisch	273/368
1,616,270	A *	2/1927	Madden	273/401
1,616,524	A *	2/1927	Bellgarde	473/469
2,130,820	A *	9/1938	Trumbull	473/470
3,362,712	A *	1/1968	Wagner	273/374

D280,755	S *	9/1985	Cochran	D21/702
4,846,470	A *	7/1989	Peterson	473/484
D307,616	S *	5/1990	Kelly	D21/702
5,224,699	A *	7/1993	Zaruba	273/375
5,364,091	A *	11/1994	Sebek	473/433
D381,057	S *	7/1997	Strawcutter et al.	D21/814
5,833,557	A *	11/1998	Cole	473/472
5,954,337	A *	9/1999	Cunningham	273/338
6,299,570	B1 *	10/2001	Lim	482/148
6,338,686	B1 *	1/2002	King	473/415
2005/0134001	A1 *	6/2005	Rowan	273/401
2011/0089640	A1 *	4/2011	Pecherski	273/400

\* cited by examiner

*Primary Examiner* — Catherine Tuttle

(74) *Attorney, Agent, or Firm* — Baker & Hostetler LLP

(57) **CLAIM**

We claim the ornamental design for a hoop toy, as shown and described.

**DESCRIPTION**

FIG. 1 is a front view of a hoop toy according to our new design;

FIG. 2 is a rear view thereof;

FIG. 3 is a left side view thereof, the left side view being a mirror image of the right side view;

FIG. 4 is a top view thereof;

FIG. 5 is a bottom view thereof;

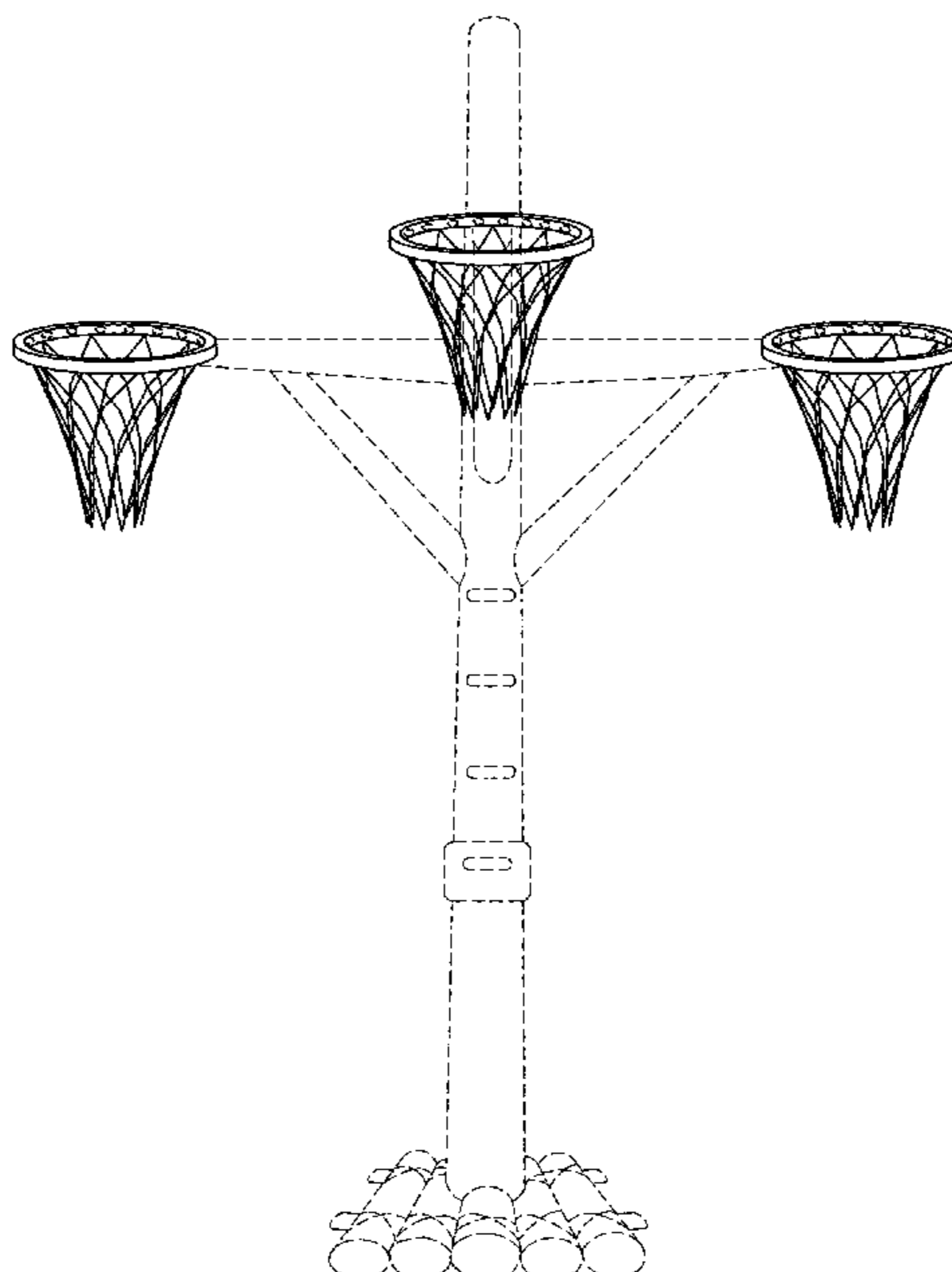
FIG. 6 is a top perspective view thereof;

FIG. 7 is a front view thereof; and,

FIG. 8 is a front view thereof.

FIGS. 1, 7, and 8 show the hoop toy adjusted to high, low, and medium heights, respectively, using an adjustment mechanism. The broken line portions of the figures, including the adjustment mechanism, represent unclaimed subject matter only and form no part of the claimed design.

**1 Claim, 7 Drawing Sheets**



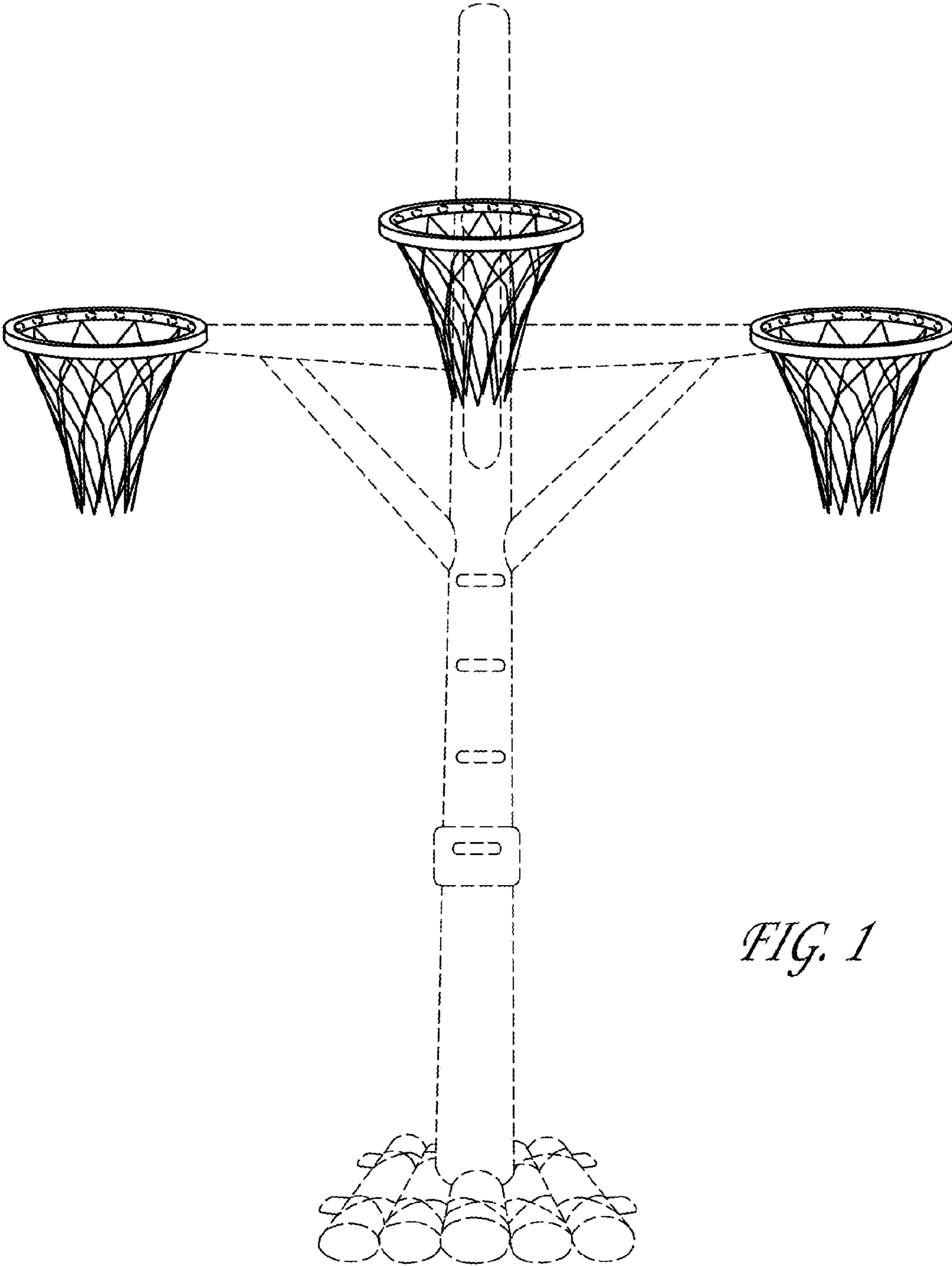
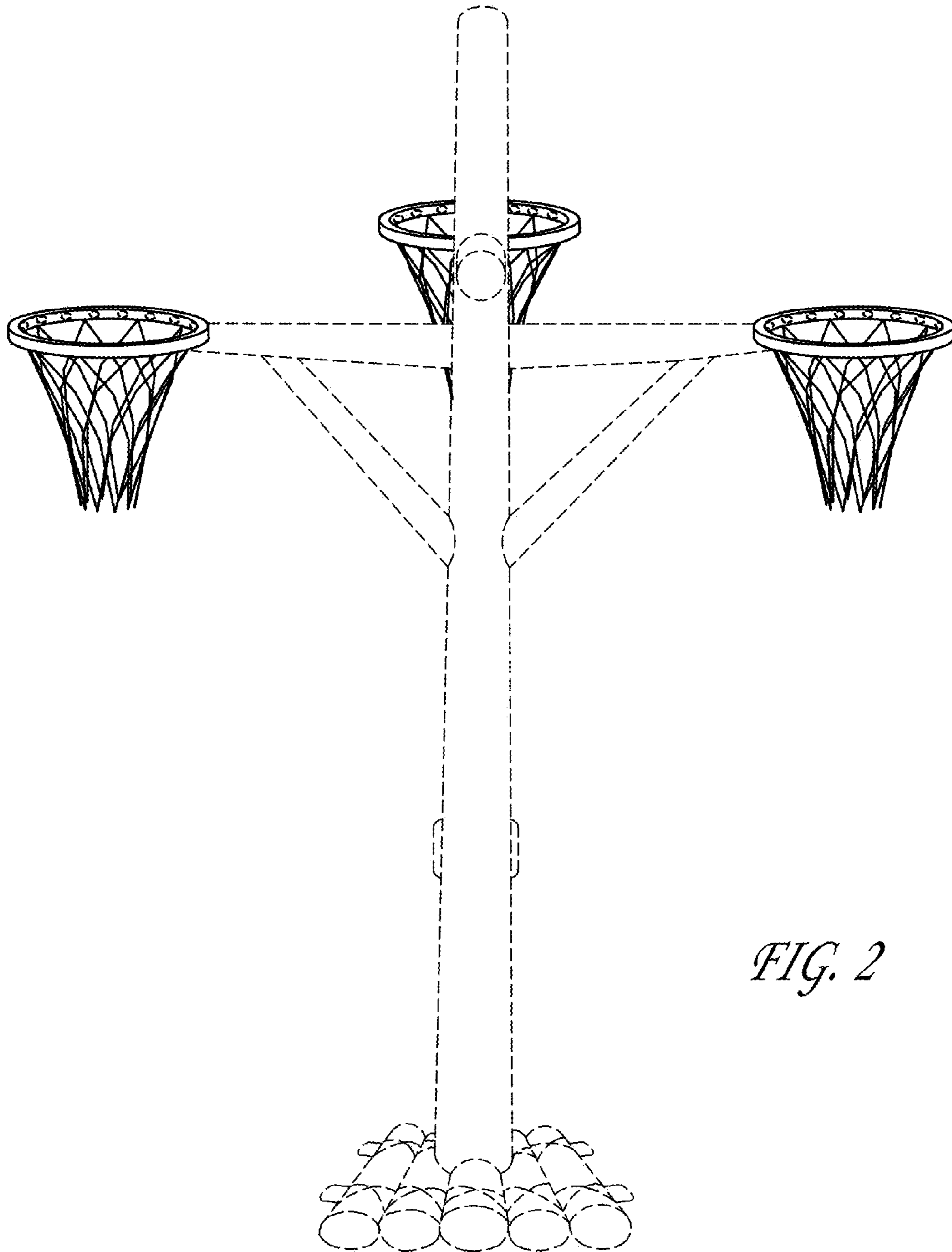
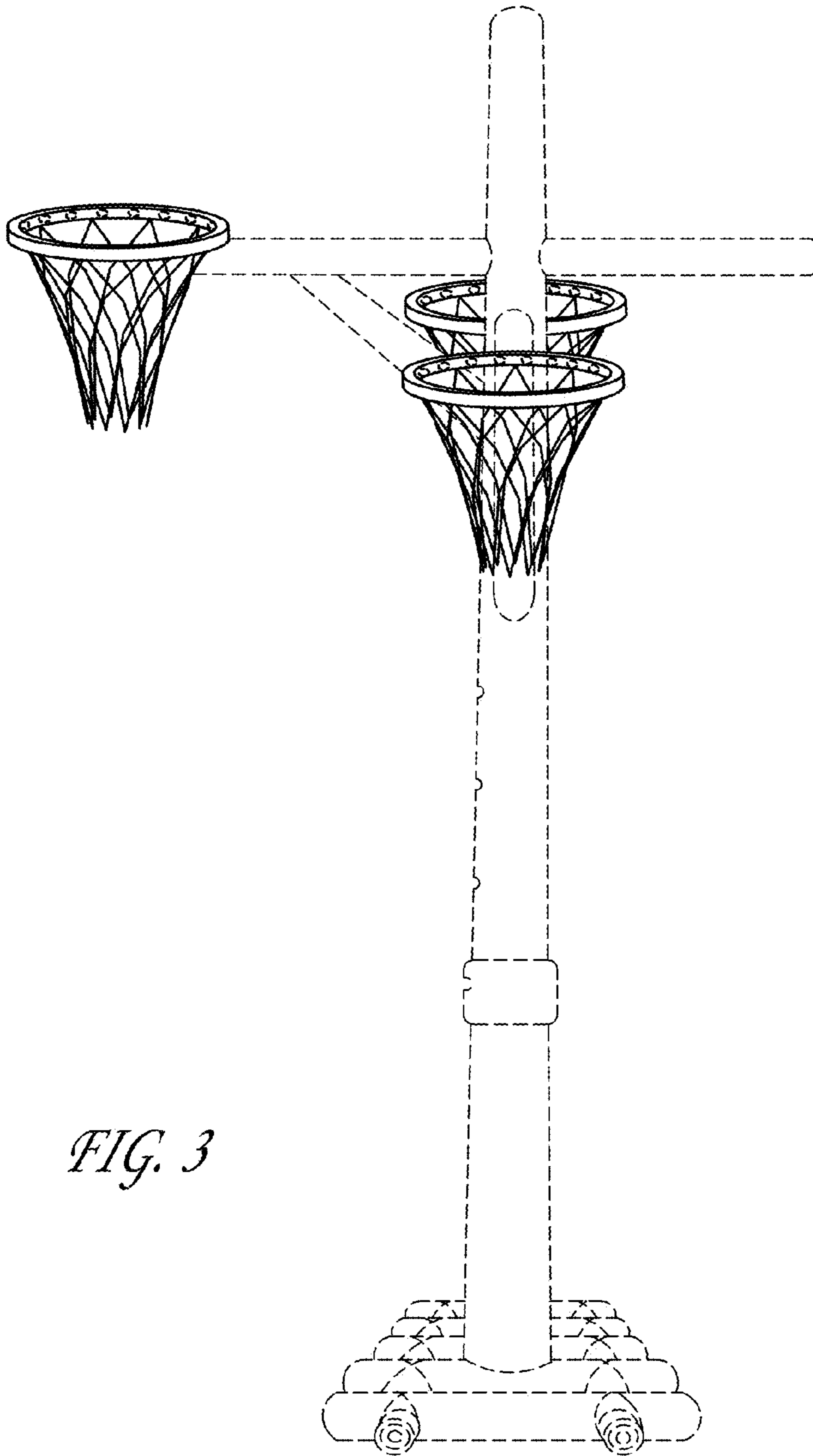


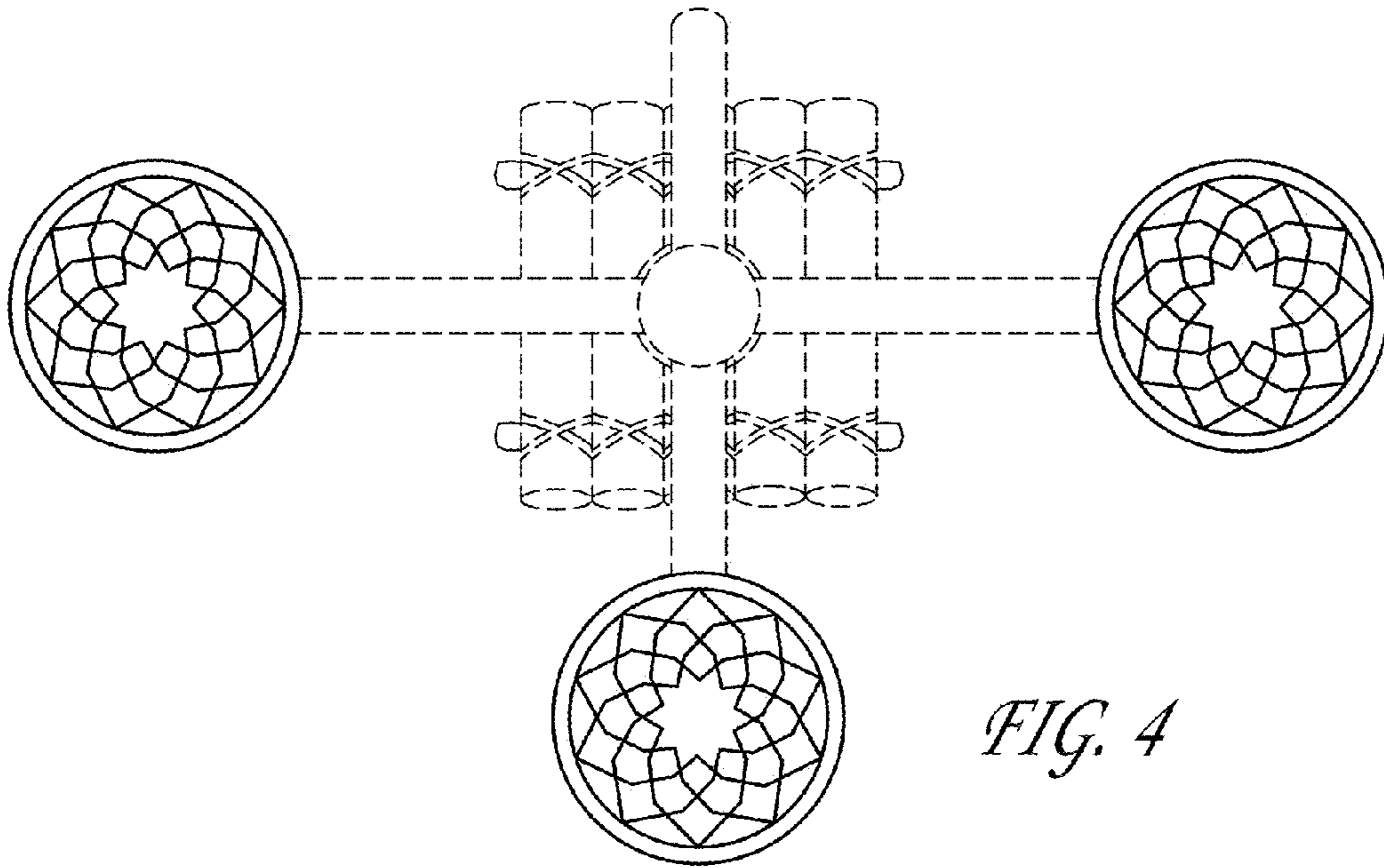
FIG. 1



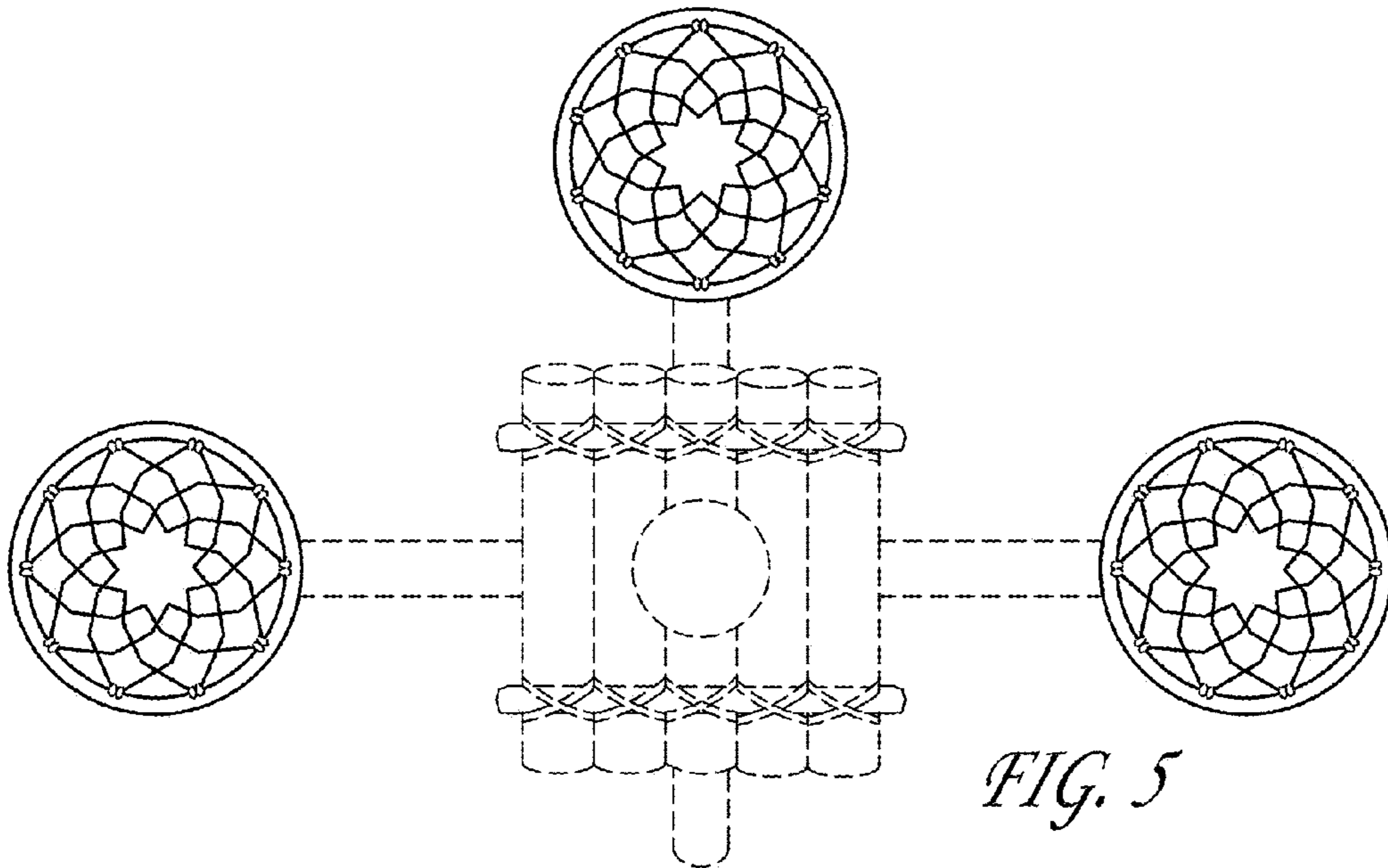
*FIG. 2*



*FIG. 3*



*FIG. 4*



*FIG. 5*

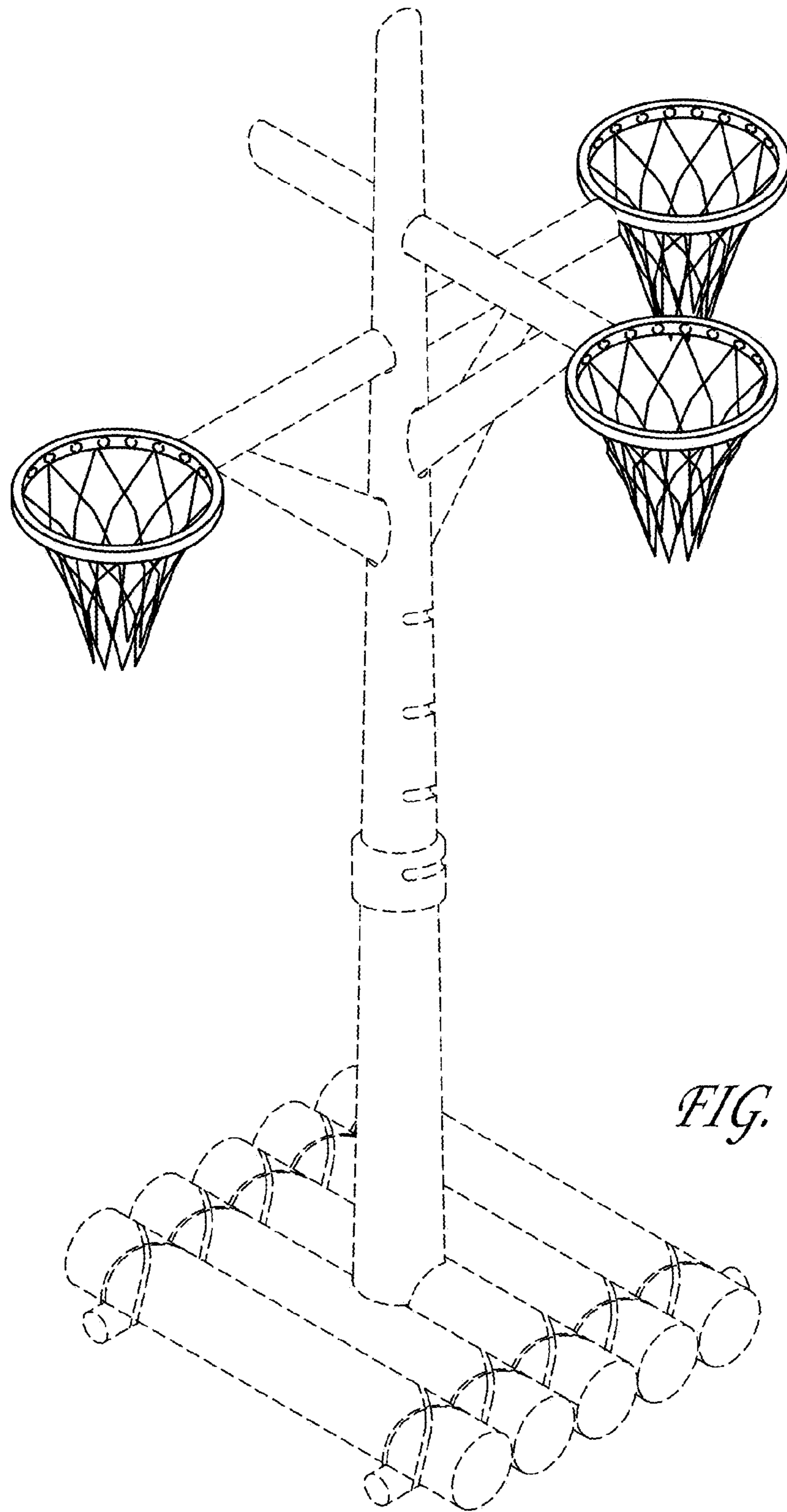
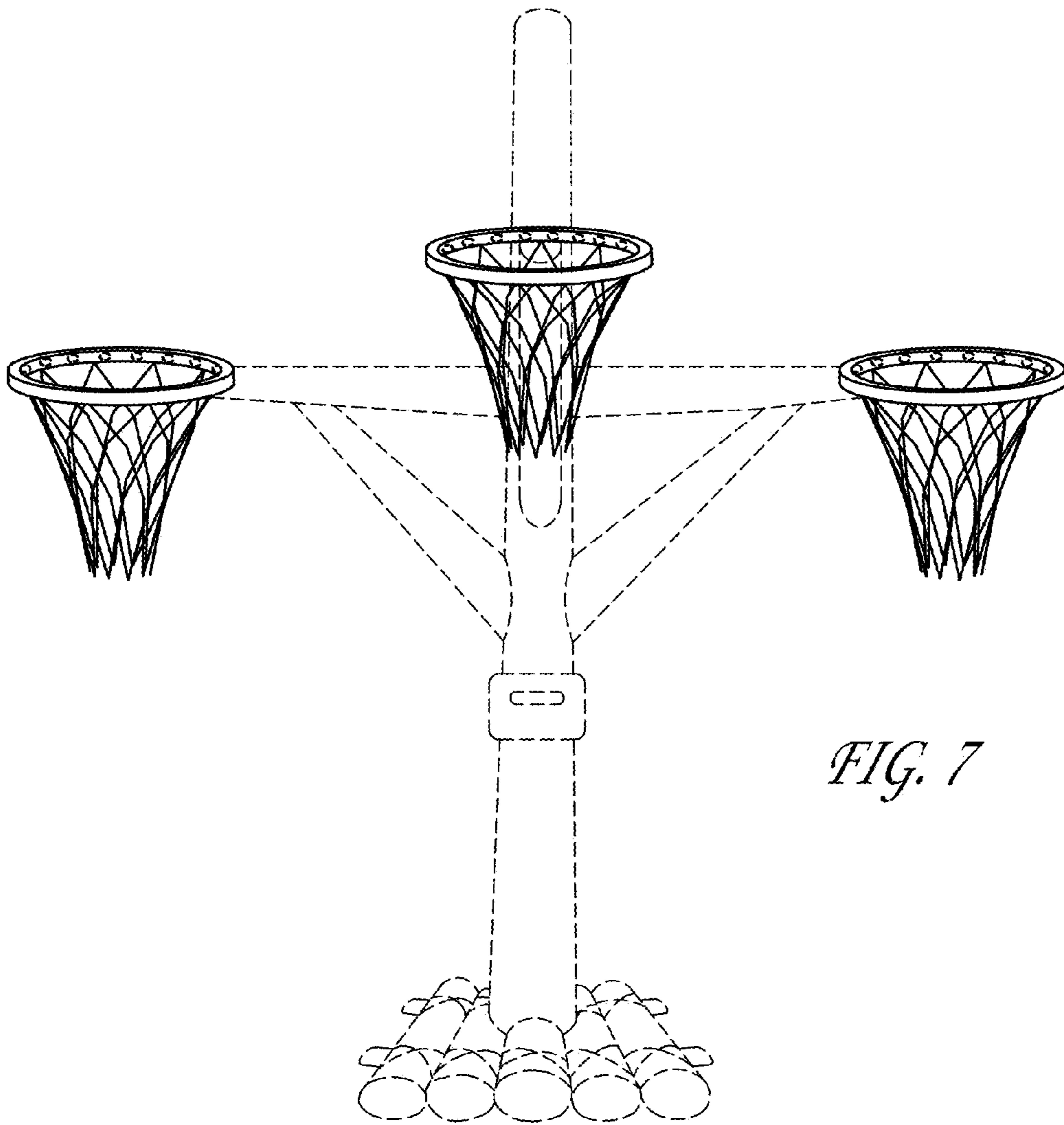


FIG. 6



*FIG. 7*

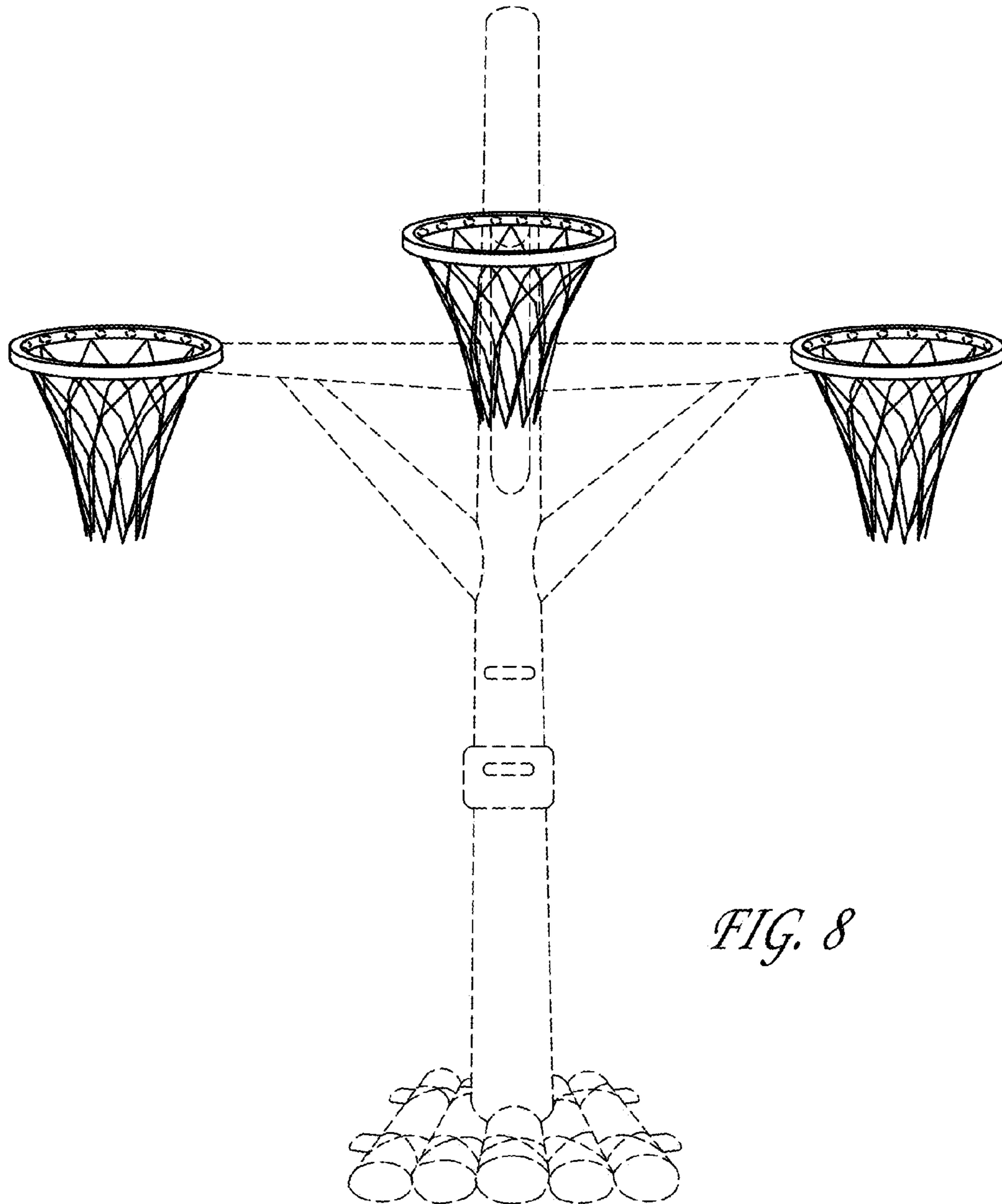


FIG. 8