



US00D762790S

(12) **United States Design Patent**
Smyth

(10) **Patent No.:** **US D762,790 S**

(45) **Date of Patent:** **** Aug. 2, 2016**

(54) **EXERCISE SLIDE BOARD**

(71) Applicant: **Daniel Smyth**, Chatham (CA)

(72) Inventor: **Daniel Smyth**, Chatham (CA)

(**) Term: **14 Years**

(21) Appl. No.: **29/512,414**

(22) Filed: **Dec. 18, 2014**

Related U.S. Application Data

(63) Continuation of application No. 29/417,578, filed on Apr. 5, 2012, now Pat. No. Des. 722,349.

(51) **LOC (10) Cl.** **21-02**

(52) **U.S. Cl.**
USPC **D21/694**

(58) **Field of Classification Search**
USPC D21/662, 668, 670, 674, 676, 686, 689,
D21/690, 694, 695; D6/502, 601, 366
CPC A63B 22/0015; A63B 22/0017; A63B
22/0038; A63B 22/0076; A63B 22/0082;
A63B 22/0084; A63B 23/0035; A63B 23/0417
See application file for complete search history.

(56) **References Cited**

U.S. PATENT DOCUMENTS

1,625,447 A 4/1927 Benice
1,750,549 A 3/1930 Thomson et al.

(Continued)

FOREIGN PATENT DOCUMENTS

KR 101171881 8/2012
WO WO 2007/070278 A2 6/2007

(Continued)

OTHER PUBLICATIONS

Beaupré, Lauren A, Davies, Donna M, Jones, C Allyson and Cinats, John G, "Exercise Combined With Continuous Passive Motion or Slider Board Therapy Compared With Exercise Only: A Randomized Controlled Trial of Patients Following Total Knee Arthroplasty", Physical Therapy, Apr. 2001, vol. 81, No. 4, pp. 1029-1037.

(Continued)

Primary Examiner — Phillip S Hyder

(57) **CLAIM**

The ornamental design for exercise slide board, as shown and described.

DESCRIPTION

FIG. 1 is a top right side perspective view of the exercise slide board and the top left side perspective view is a mirror image thereof;

FIG. 2 is a bottom right side perspective view of the exercise slide board of FIG. 1 and the bottom left side perspective view is a mirror image thereof.

FIG. 3 is a cross sectional view at 3-3 in FIG. 1;

FIG. 4 is a cross sectional view at 4-4 in FIG. 1;

FIG. 5 is a cross sectional view at 5-5 in FIG. 1;

FIG. 6 is a right side elevation view of the exercise slide board of FIG. 1;

FIG. 7 is a left side elevation view of the exercise slide board of FIG. 1;

FIG. 8 is a front view of the exercise slide board of FIG. 1;

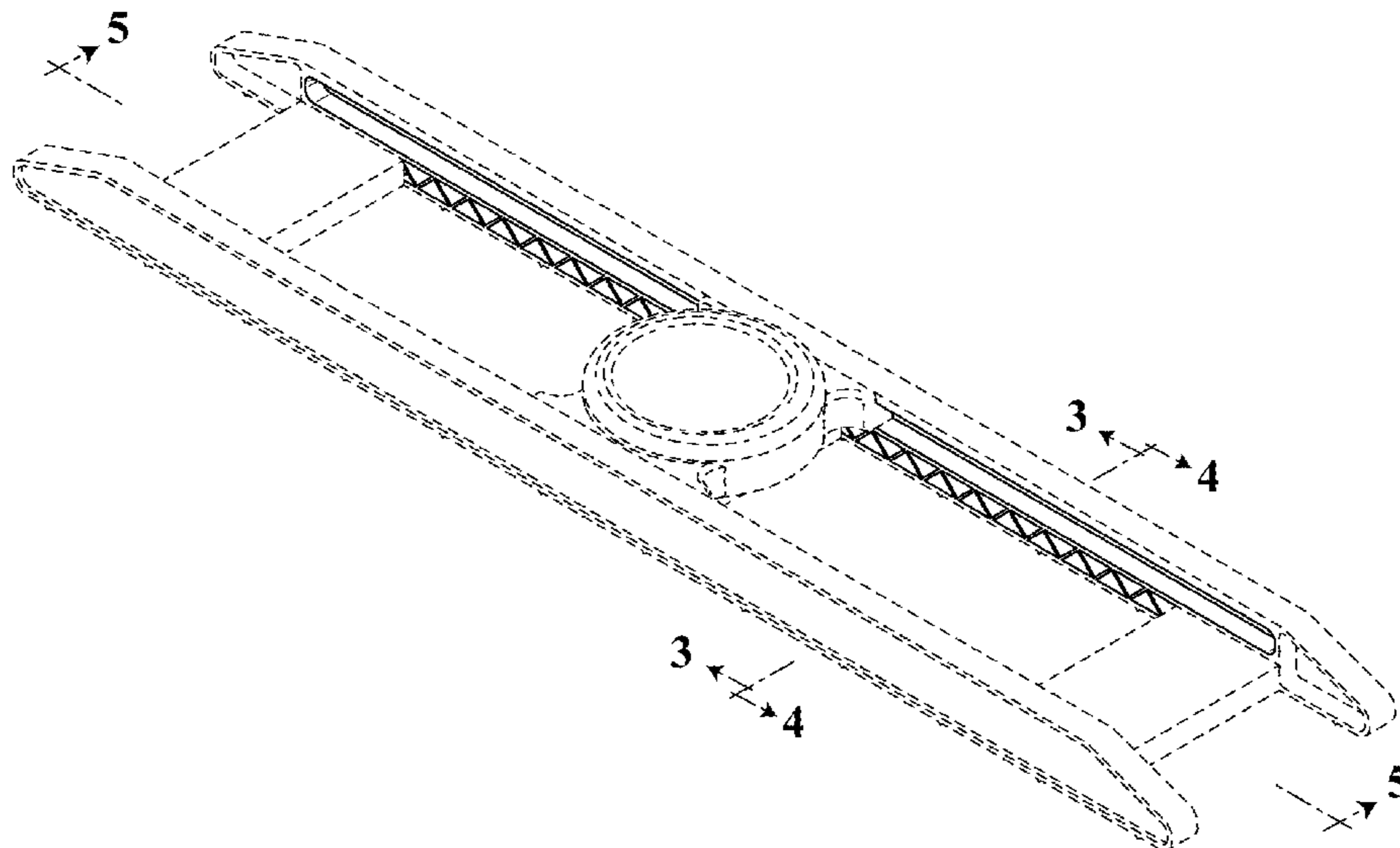
FIG. 9 is a rear view of the exercise slide board of FIG. 1;

FIG. 10 is a top plan view of the exercise slide board of FIG. 1; and,

FIG. 11 is a bottom plan view of the exercise slide board of FIG. 1.

The broken lines depict portions of the exercise sliding board in which the design is embodied that are not considered part of the claimed design.

1 Claim, 5 Drawing Sheets



(56)

References Cited

U.S. PATENT DOCUMENTS

D87,261 S 6/1932 Hardy et al.
 D118,847 S 2/1940 Wright
 D193,435 S 8/1962 Weiss
 D203,123 S 12/1965 Spackman, Jr. et al.
 3,467,376 A 9/1969 Feinberg
 3,559,986 A 2/1971 Ehrmantraut
 3,620,530 A 11/1971 Cosby
 3,658,327 A 4/1972 Thiede
 D225,343 S 12/1972 Flick et al.
 D268,277 S 3/1983 Smith
 4,402,506 A 9/1983 Jones
 4,474,378 A 10/1984 Dwyer
 4,512,571 A 4/1985 Hermelin
 4,535,985 A 8/1985 Mask
 4,629,181 A 12/1986 Krive
 D289,539 S 4/1987 Brentham
 4,684,121 A 8/1987 Nestegard
 4,743,015 A 5/1988 Marshall
 4,813,667 A 3/1989 Watterson
 4,848,737 A 7/1989 Ehrenfield
 4,921,242 A 5/1990 Watterson
 4,971,315 A 11/1990 Rector
 D314,027 S 1/1991 Lo
 5,145,481 A 9/1992 Friedebach
 5,279,530 A 1/1994 Hess
 5,486,359 A 1/1996 Caplan et al.
 5,499,958 A 3/1996 Hess
 5,503,609 A 4/1996 Bull
 5,518,483 A 5/1996 Oswald
 5,518,484 A 5/1996 Bruckenstein
 D403,163 S 12/1998 Lipps
 D419,625 S 1/2000 Barnett
 6,013,010 A 1/2000 Farsaie
 D425,585 S 5/2000 Wu
 D483,082 S 12/2003 Toole
 7,294,100 B2 11/2007 Bull

D622,787 S 8/2010 Masterson
 D623,244 S 9/2010 Hoffman
 D630,275 S 1/2011 Mills et al.
 7,892,073 B1 2/2011 Smania et al.
 7,931,570 B2 4/2011 Hoffman
 7,951,050 B2 5/2011 Raumann et al.
 8,033,971 B2 10/2011 Campanaro et al.
 8,142,336 B1 3/2012 Yates
 2001/0036885 A1 11/2001 Castellot et al.
 2004/0043876 A1 3/2004 Craciunescu
 2005/0113227 A1 5/2005 Endelman et al.
 2005/0181914 A1 8/2005 Radkowski et al.
 2005/0245148 A1 11/2005 Mun
 2009/0098983 A1 4/2009 Hoffman
 2009/0098988 A1 4/2009 Kennedy
 2009/0105050 A1 4/2009 Mayo
 2010/0016131 A1 1/2010 Hoffman
 2010/0311555 A1 12/2010 Campanaro et al.
 2011/0118094 A1 5/2011 Kissner et al.
 2012/0108405 A1 5/2012 Milo
 2012/0244998 A1 9/2012 Rao

FOREIGN PATENT DOCUMENTS

WO WO 2010/139015 A1 12/2010
 WO WO 2013/009577 A1 1/2013

OTHER PUBLICATIONS

International Search Report for PCT International Application No. PCT/CA2013/050327, filed Apr. 29, 2013.
 Written Opinion for PCT International Application No. PCT/CA2013/050327, filed Apr. 29, 2013.
 "POP—Post-Operative Knee Exercise Board", catalogue extract, p. 58 (date unknown).
 OrthoCanada POP—Post-Operative Knee Exercise Board Product Sheet (date unknown).
 OrthoCanada POP—Post-Operative Knee Exercise Board—2010 APTA—CSM Special Promotion Flyer (date unknown).

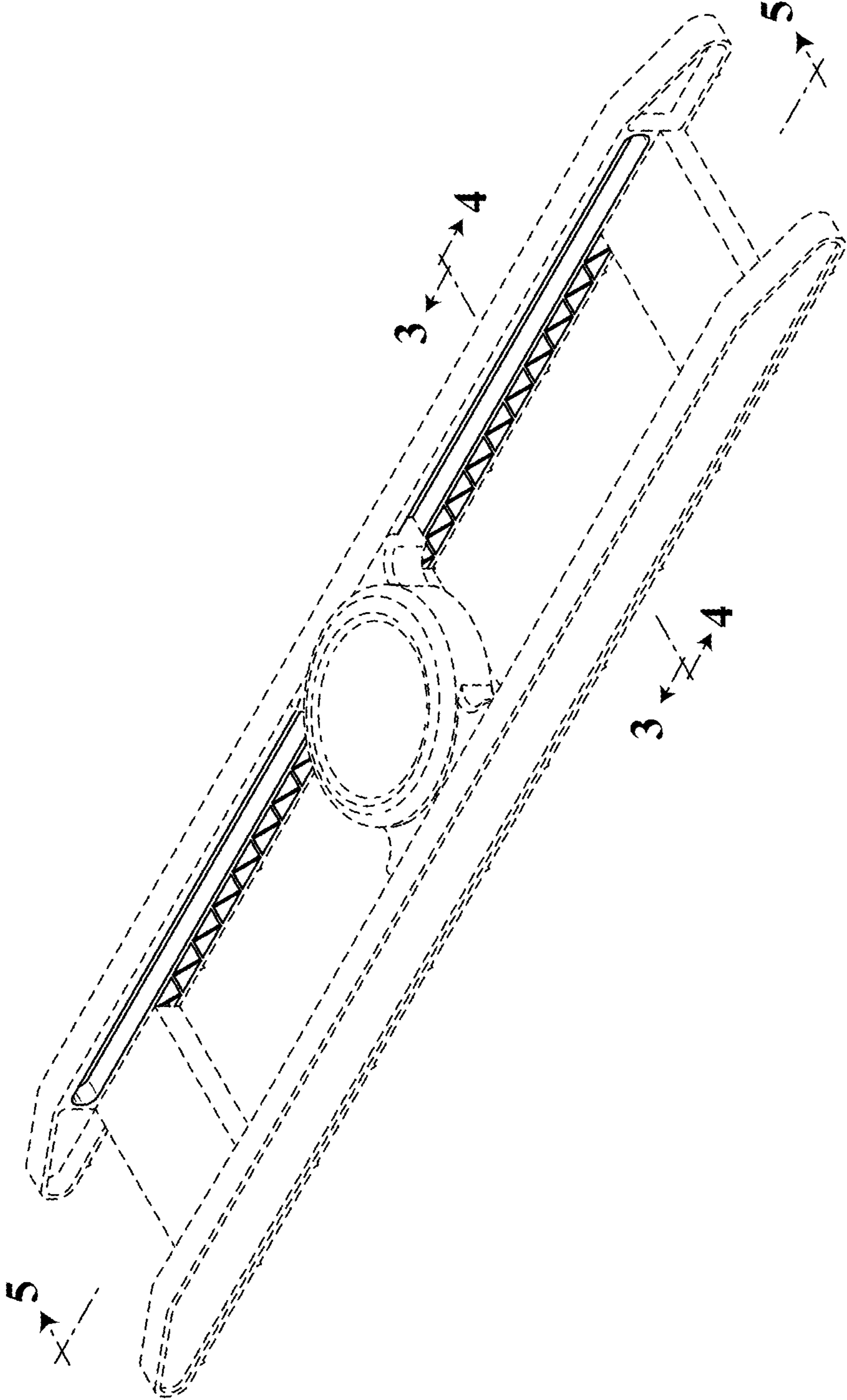


FIG. 1

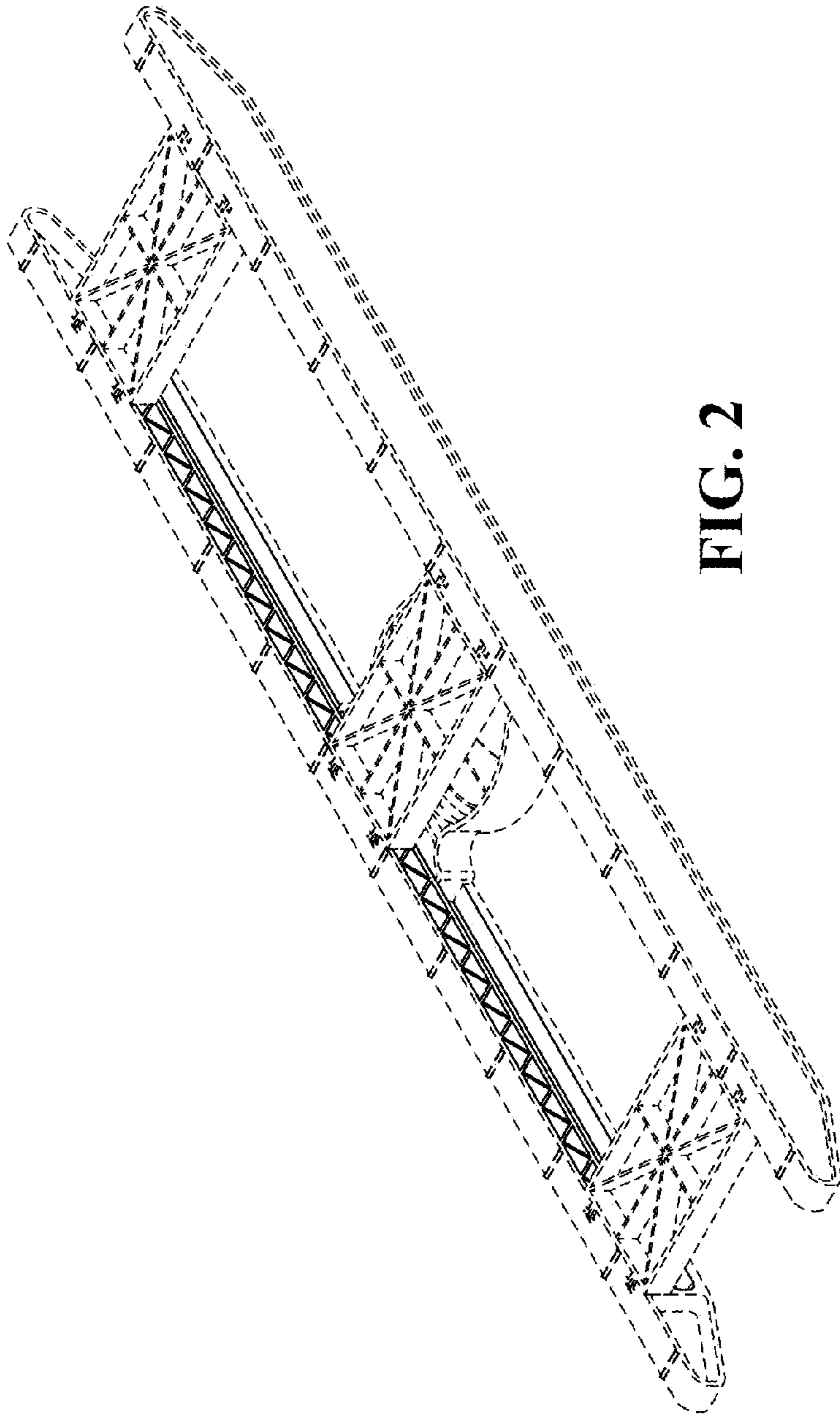


FIG. 2

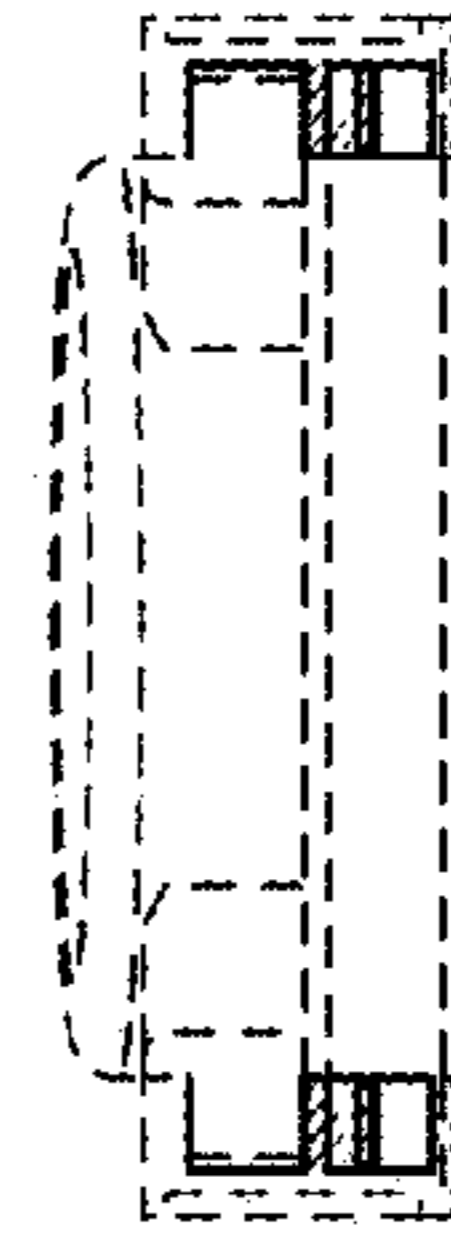


FIG. 3

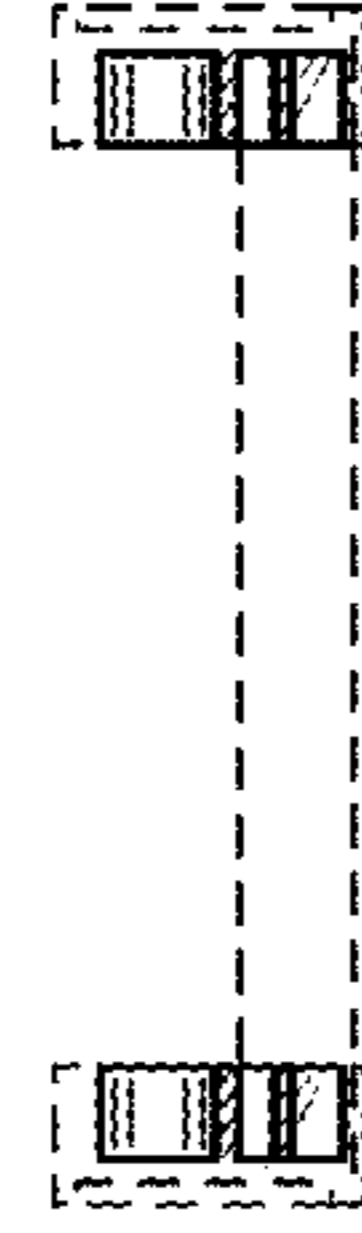


FIG. 4



FIG. 5

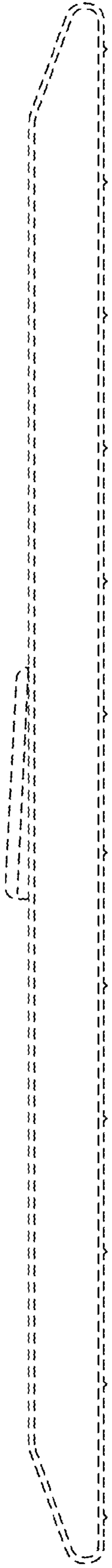


FIG. 6

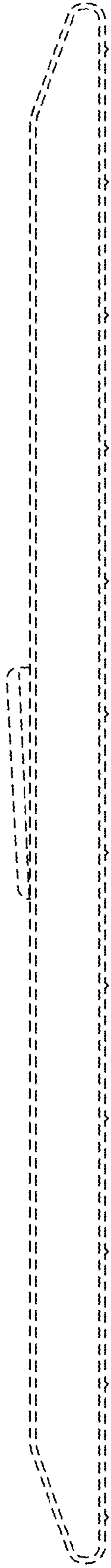


FIG. 7

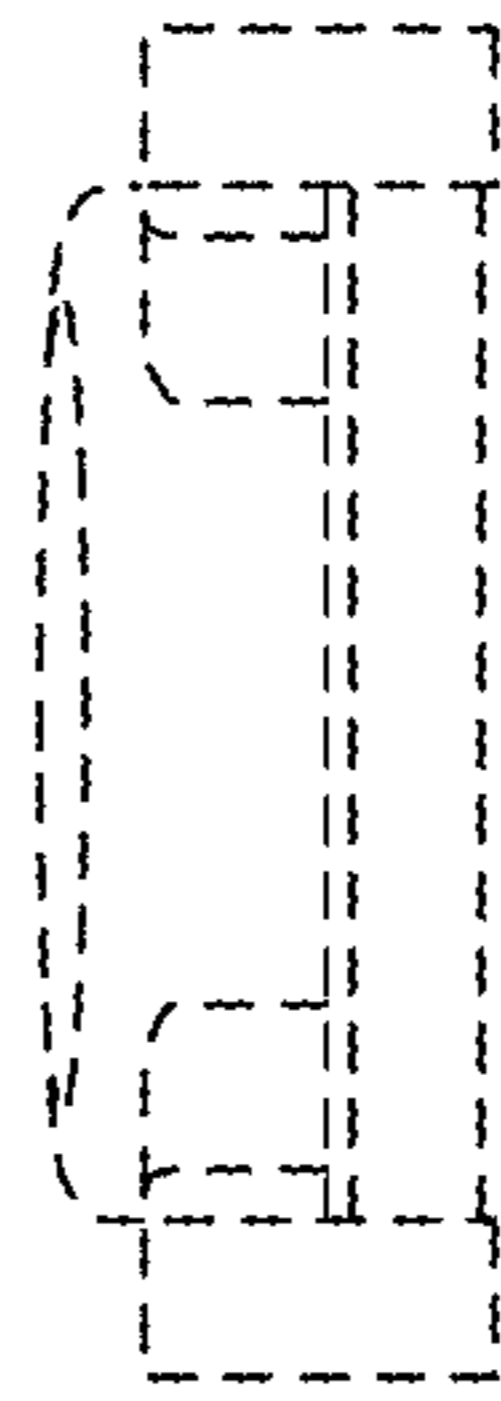


FIG. 8

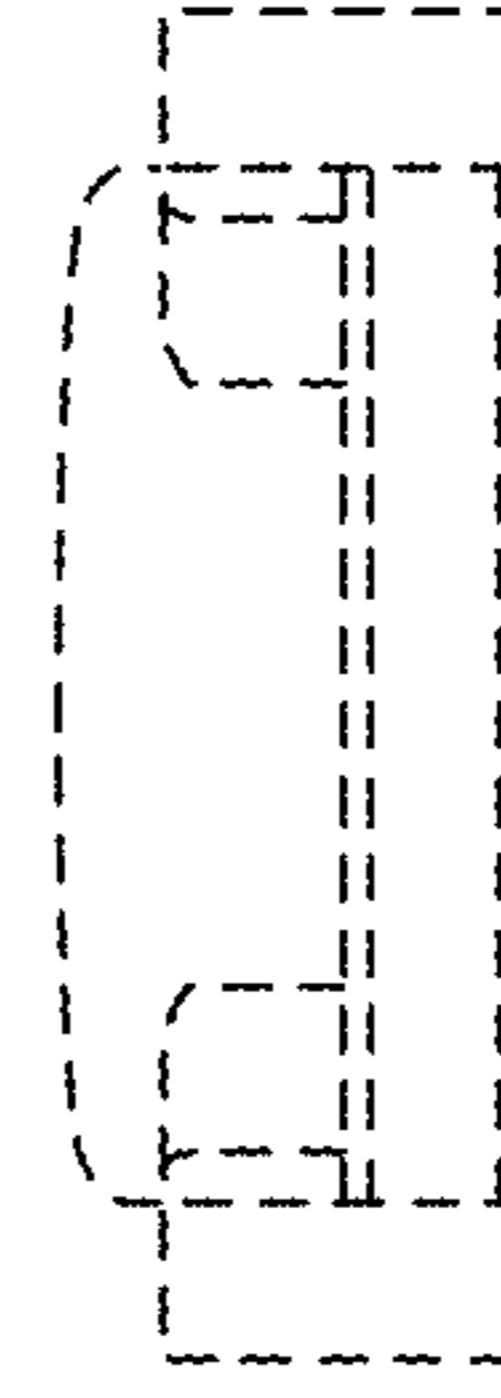


FIG. 9

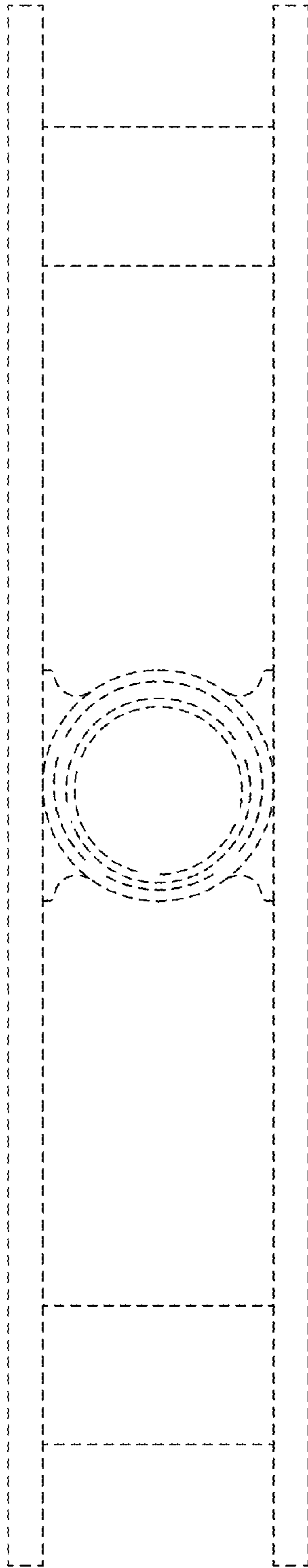


FIG. 10

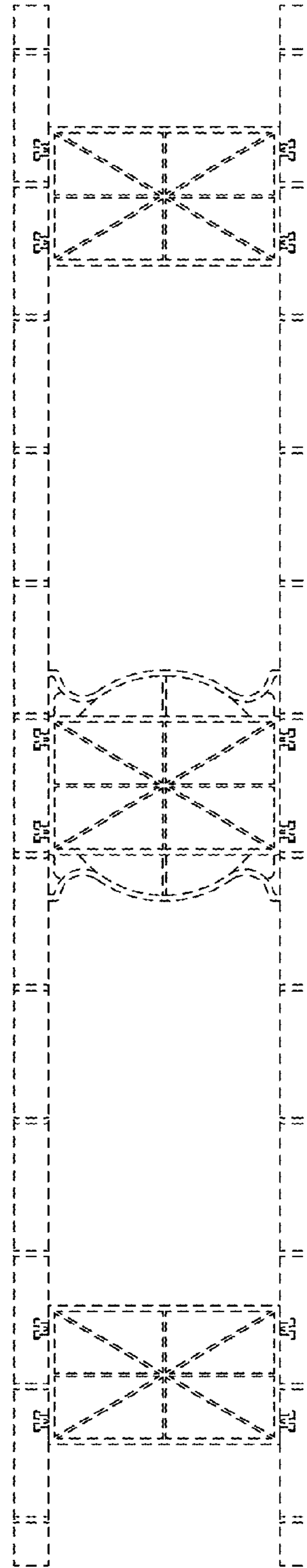


FIG. 11