



US00D762789S

(12) **United States Design Patent**
Gilchrist

(10) **Patent No.:** **US D762,789 S**

(45) **Date of Patent:** **** Aug. 2, 2016**

(54) **FITNESS TOWER**

(56) **References Cited**

(71) Applicant: **Fitness Engineers Pty Ltd**, Bondi Beach, New South Wales (AU)

U.S. PATENT DOCUMENTS

(72) Inventor: **Adam Gilchrist**, Queenscliff (AU)

2002/0185049	A1 *	12/2002	Broderick et al.	114/264
2007/0119489	A1 *	5/2007	Haymann et al.	135/122
2009/0186745	A1 *	7/2009	Lewiston	482/2
2014/0014604	A1 *	1/2014	de Moraes Correia	211/85.7
2015/0011370	A1 *	1/2015	Henniger	482/145
2015/0014212	A1 *	1/2015	Beaver et al.	206/579
2015/0059257	A1 *	3/2015	Beaver et al.	52/27

(73) Assignee: **Fitness Engineers Pty. LTD**, New South Wales (AU)

(**) Term: **14 Years**

* cited by examiner

(21) Appl. No.: **29/512,471**

Primary Examiner — Robert M Spear

(22) Filed: **Dec. 19, 2014**

Assistant Examiner — Ryan Harvey

(30) **Foreign Application Priority Data**

Jun. 20, 2014 (AU) 13023/2014

(74) *Attorney, Agent, or Firm* — Nexsen Pruet, PLLC; E. Eric Mills

(51) **LOC (10) Cl.** **21-02**

(57) **CLAIM**

The ornamental design for a fitness tower, as shown and described.

(52) **U.S. Cl.**

USPC **D21/686**

DESCRIPTION

(58) **Field of Classification Search**

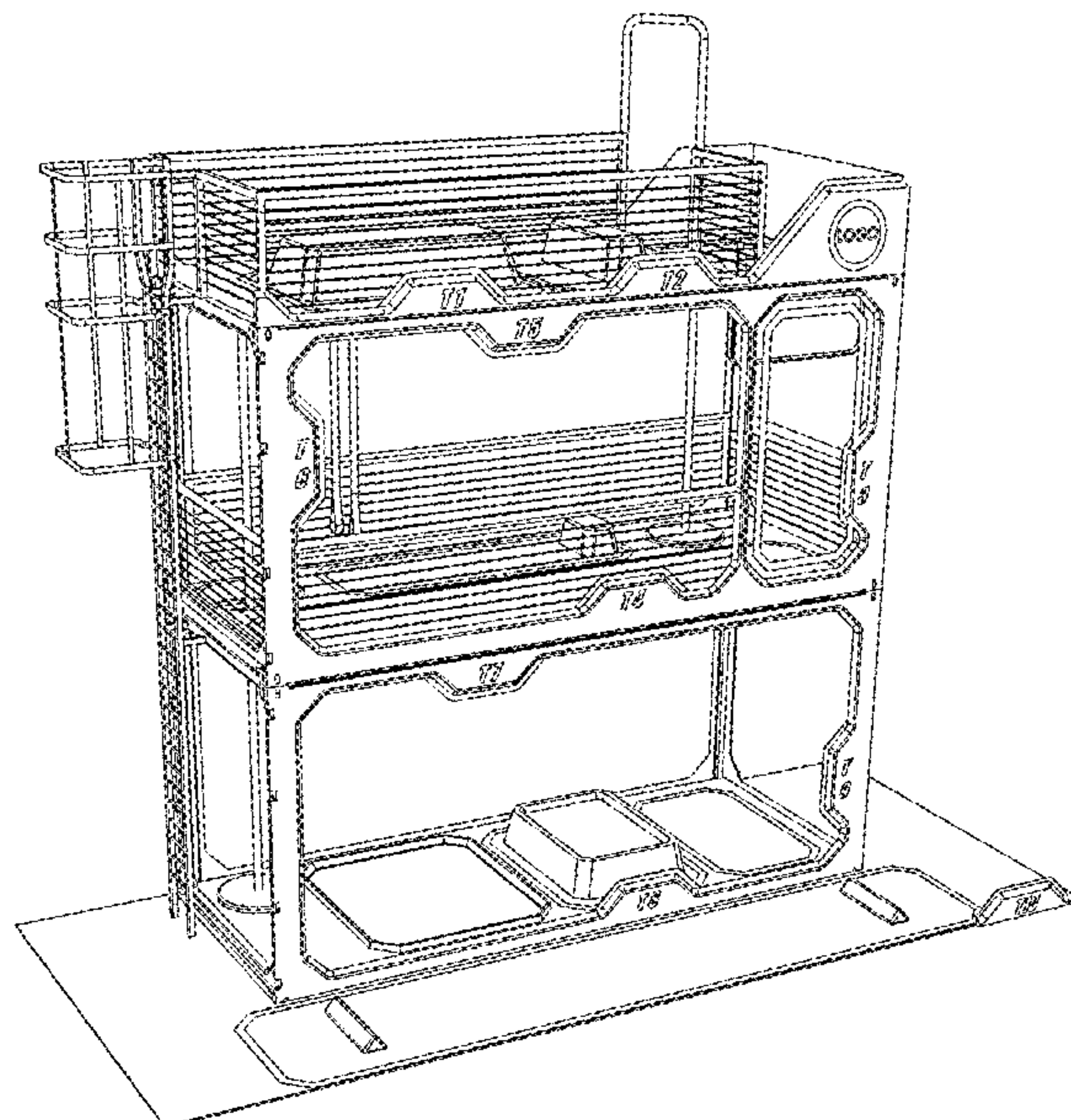
USPC 211/85.7; 206/579; 135/122; 52/83, 27; 482/145, 23, 2, 72, 57, 62, 60, 142, 482/104, 131, 96, 132, 135, 140, 121, 130, 482/95, 92, 73, 144, 143, 907, 128, 108, 482/908, 94, 106, 97, 123, 126, 38, 41, 133, 482/137, 35, 101, 147, 115, 138, 91, 70, 482/110, 52, 71, 8; D21/686, 676, 687, D21/662, 674, 666, 673, 690, 679, 694, 691, D21/675, 688; D6/552; 136/251; 290/55; 114/264, 382; 472/128; 606/241, 244; 108/4; 5/607, 624; 601/24, 242, 23; 248/300; 29/428

CPC A63B 2009/006; A63B 21/00065; A63B 21/0421; A63B 21/0552; A63B 21/068

FIG. 1 is a first perspective view of a fitness tower showing a new design;
 FIG. 2 is a second perspective view thereof;
 FIG. 3 is a third perspective view thereof;
 FIG. 4 is a top view thereof;
 FIG. 5 is a front view thereof;
 FIG. 6 is a first side view thereof;
 FIG. 7 is a second side view thereof;
 FIG. 8A is an enlarged detail view of the upper portion of the device shown in FIG. 3;
 FIG. 8B is an enlarged detail view of the central portion of the device shown in FIG. 3; and,
 FIG. 8C is an enlarged detail view of the lower portion of the device shown in FIG. 3.

See application file for complete search history.

1 Claim, 10 Drawing Sheets



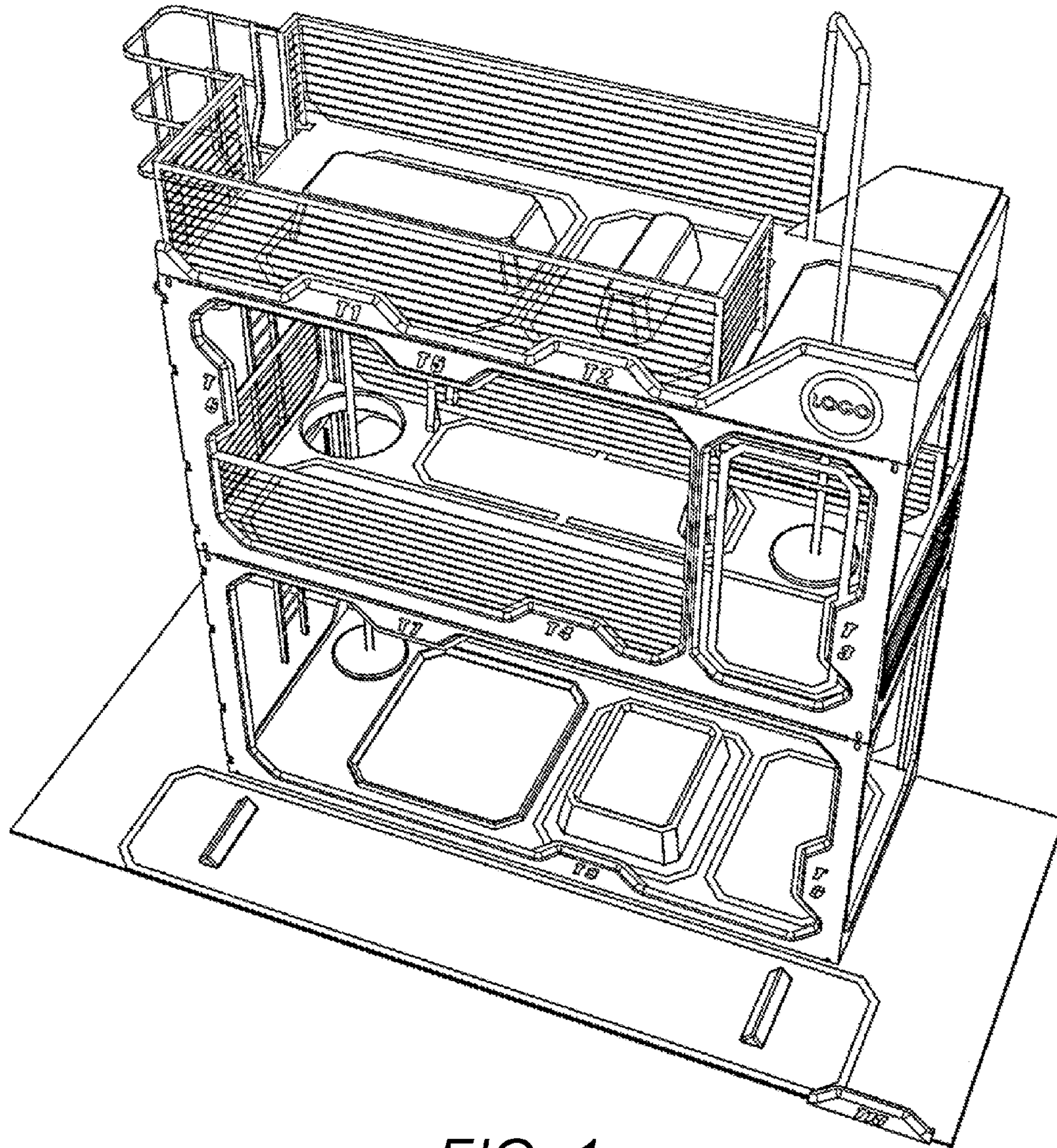


FIG. 1

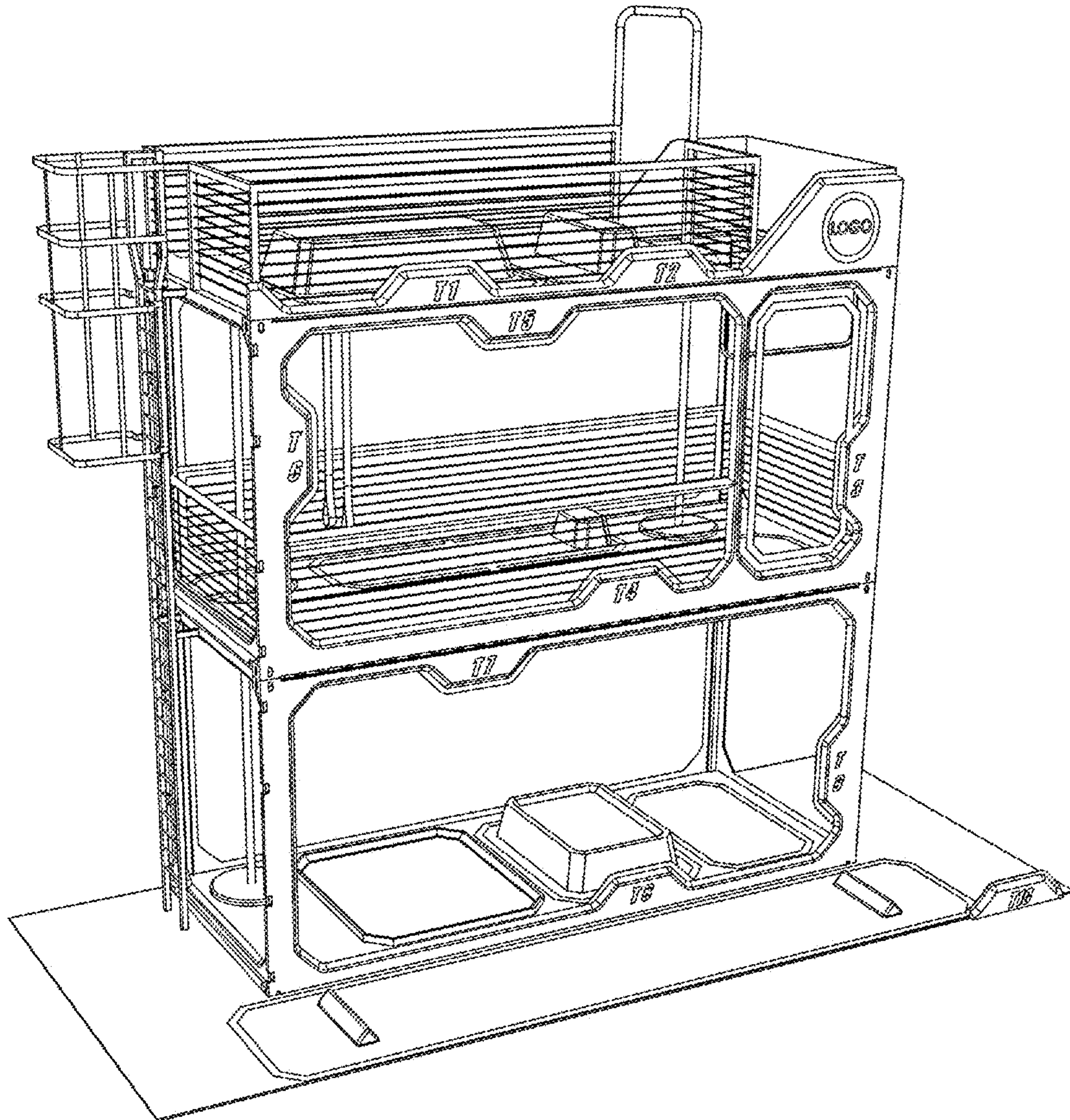


FIG. 2

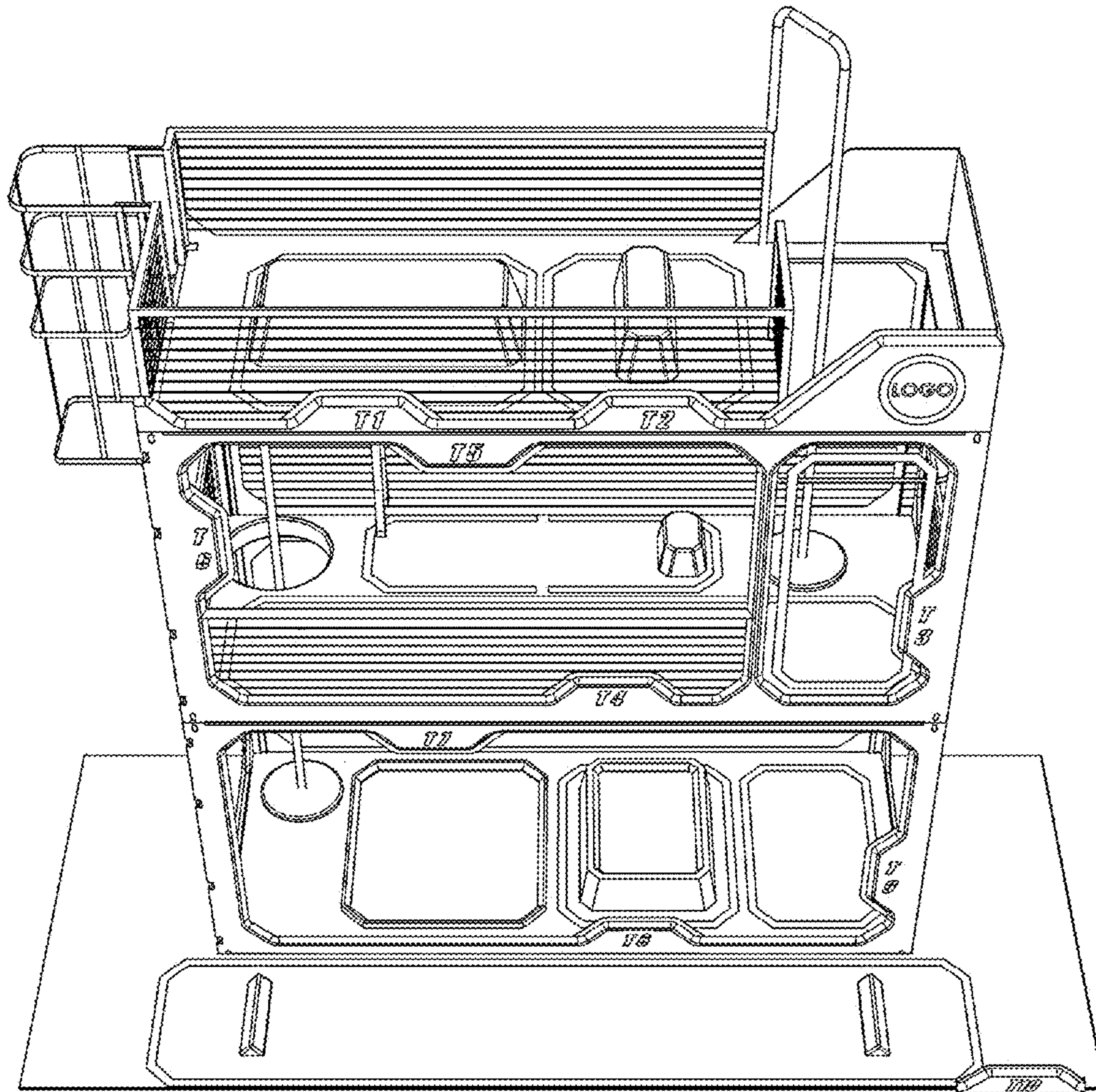


FIG. 3

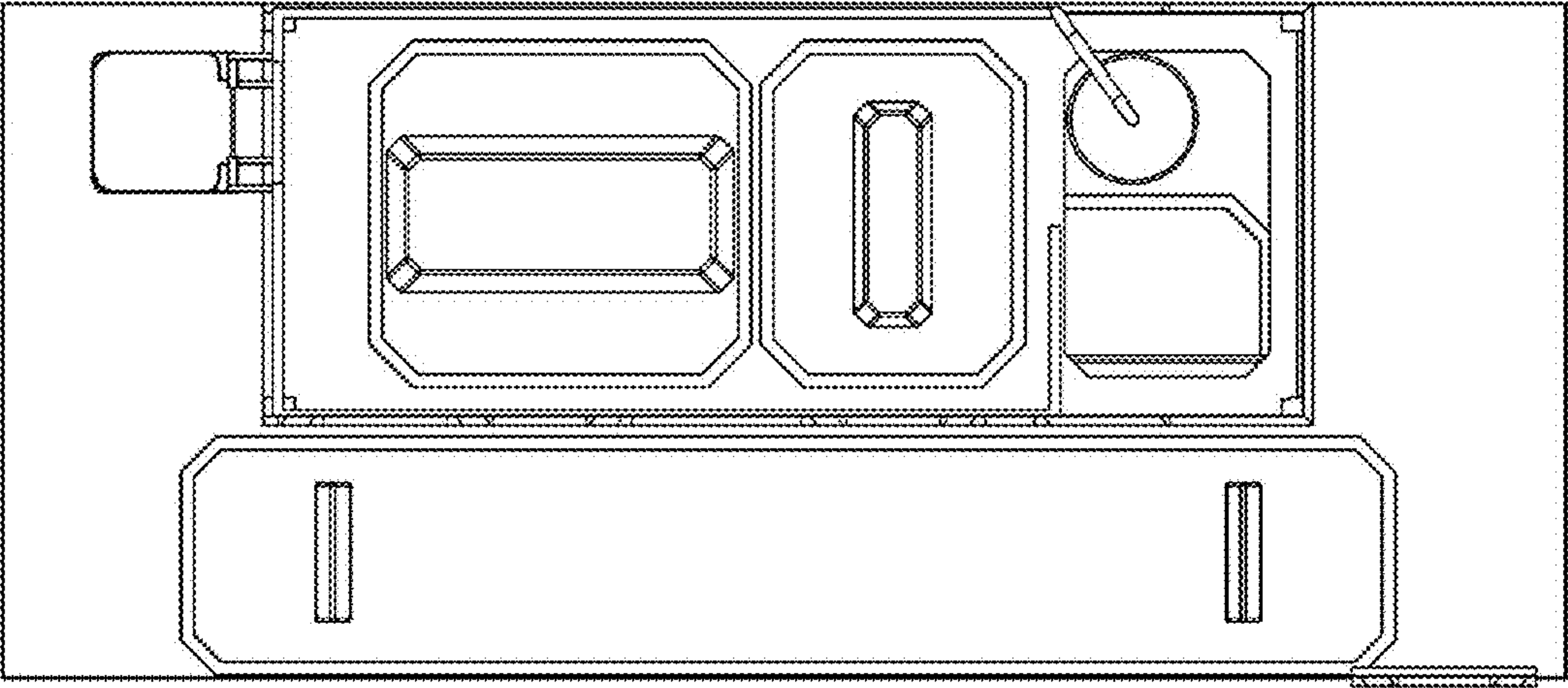


FIG. 4

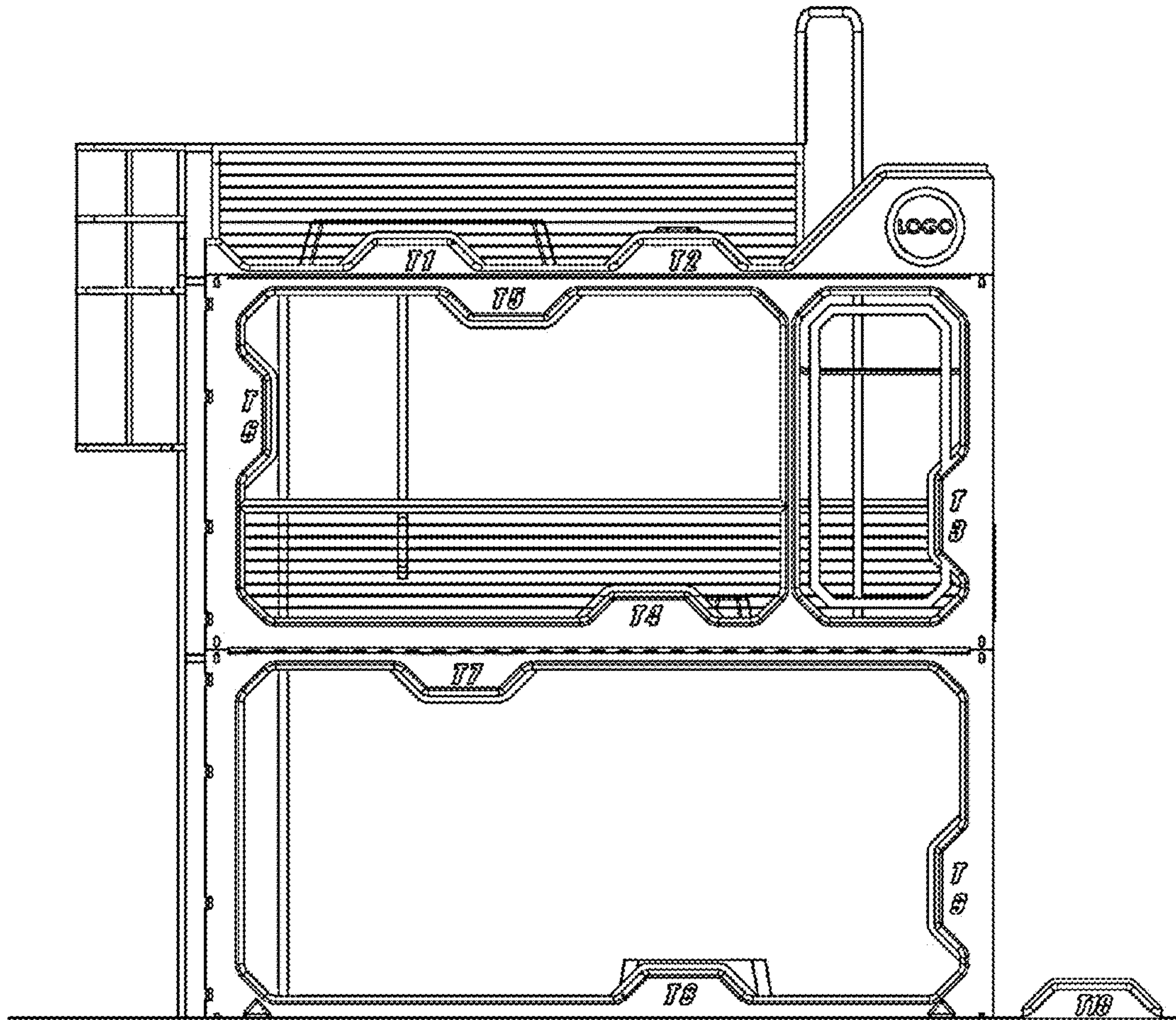


FIG. 5

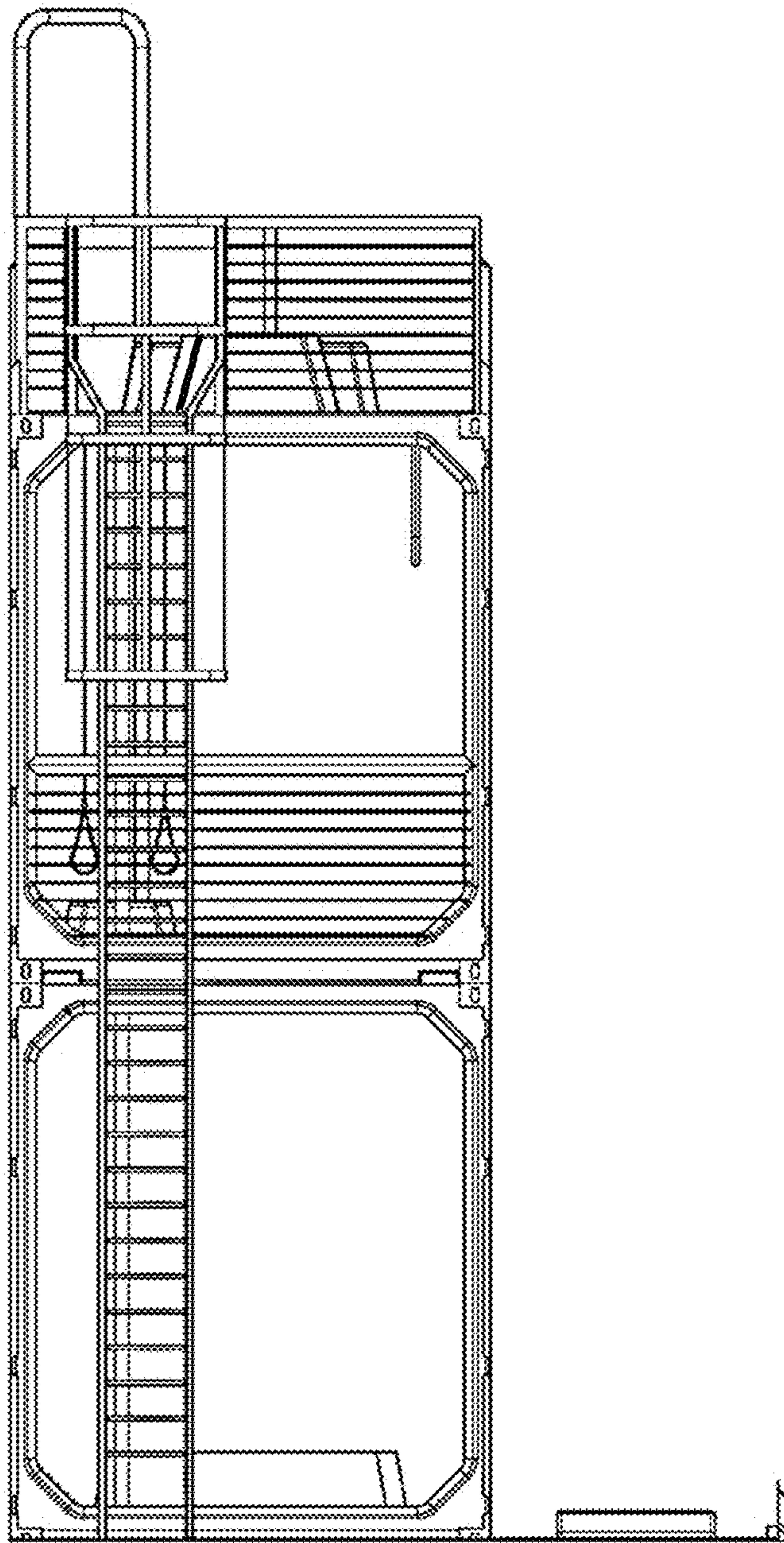


FIG. 6

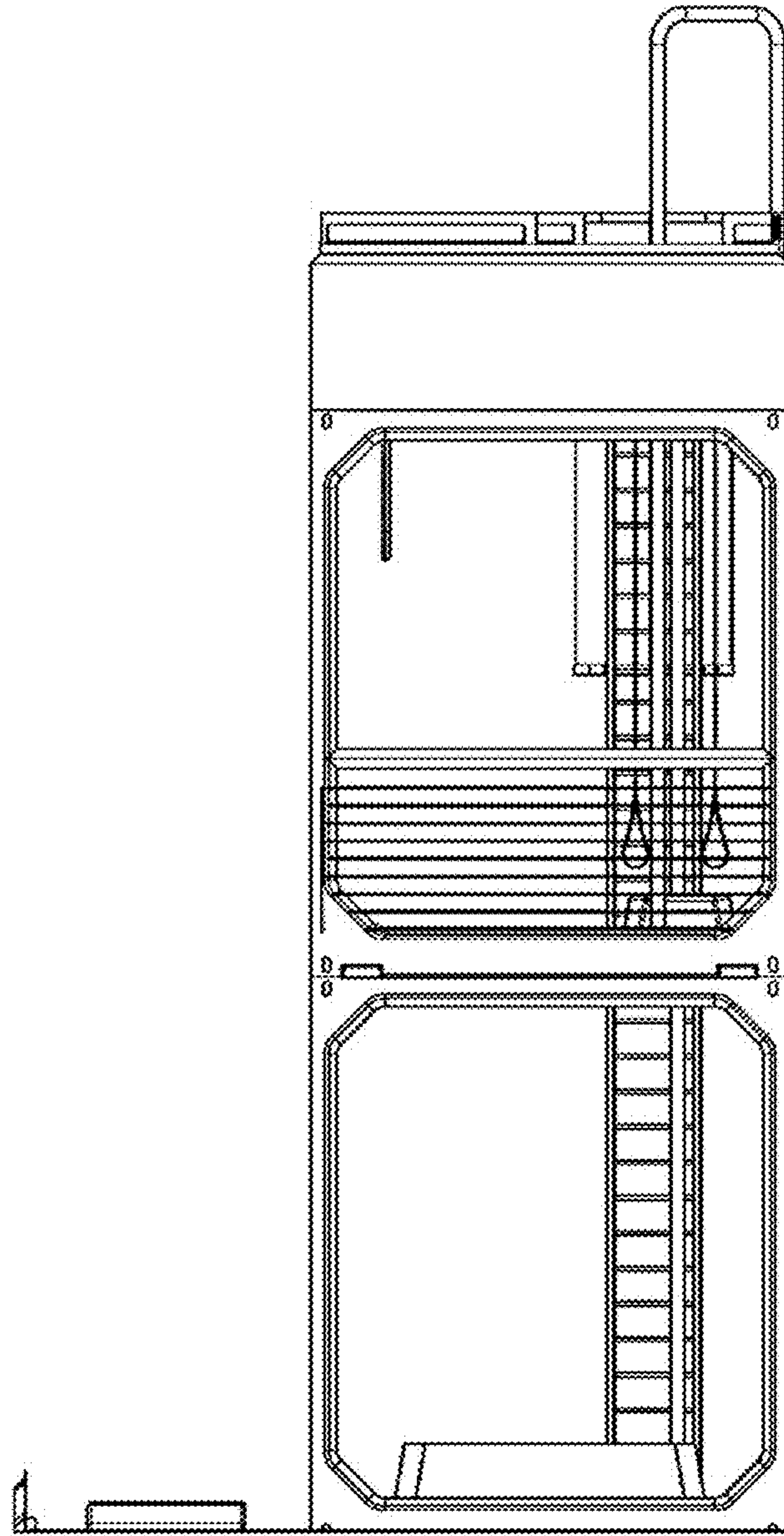


FIG. 7

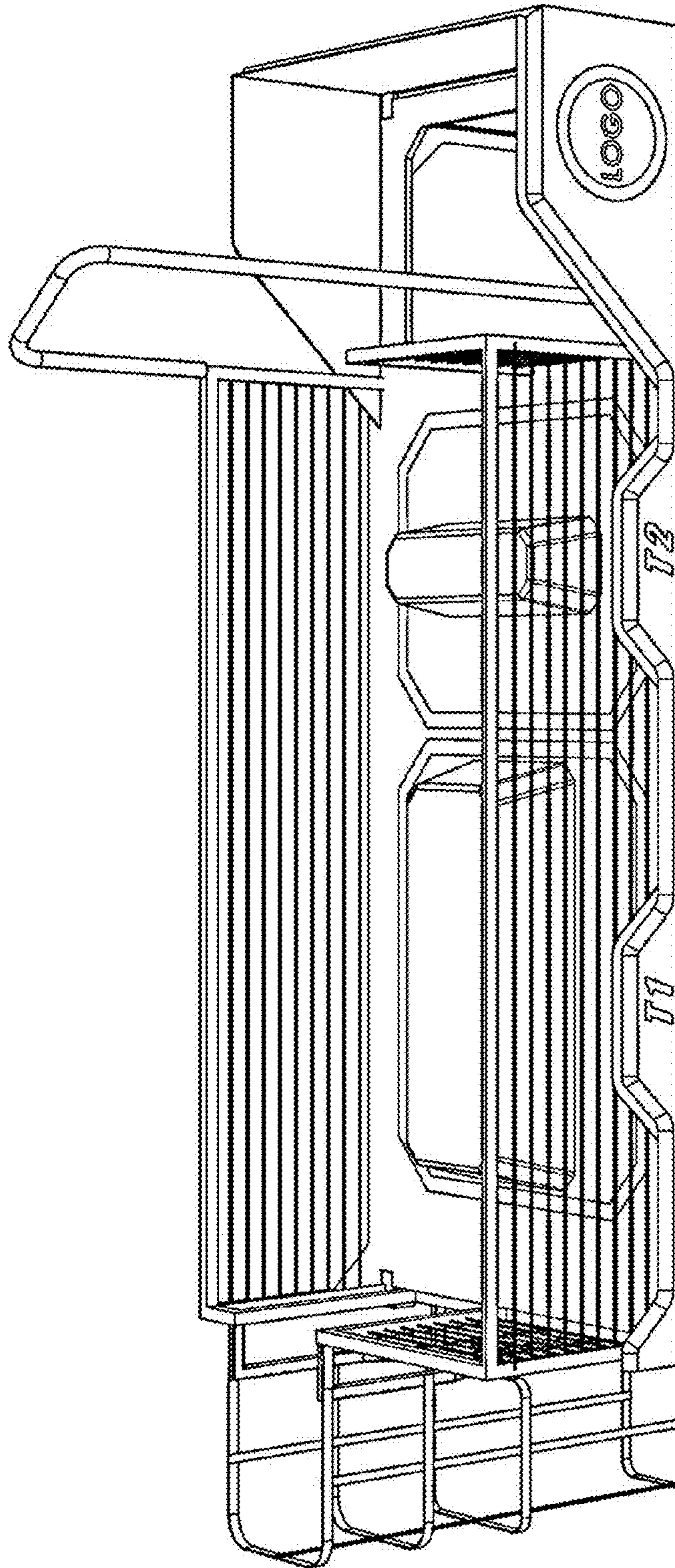


FIG. 8A

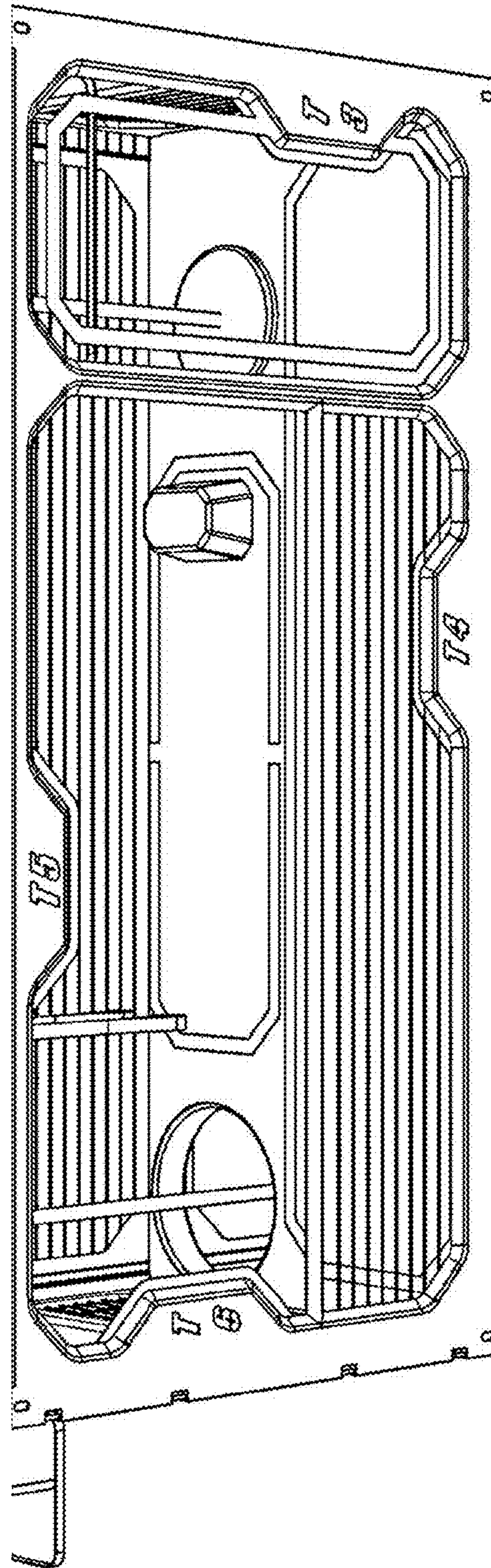


FIG. 8B

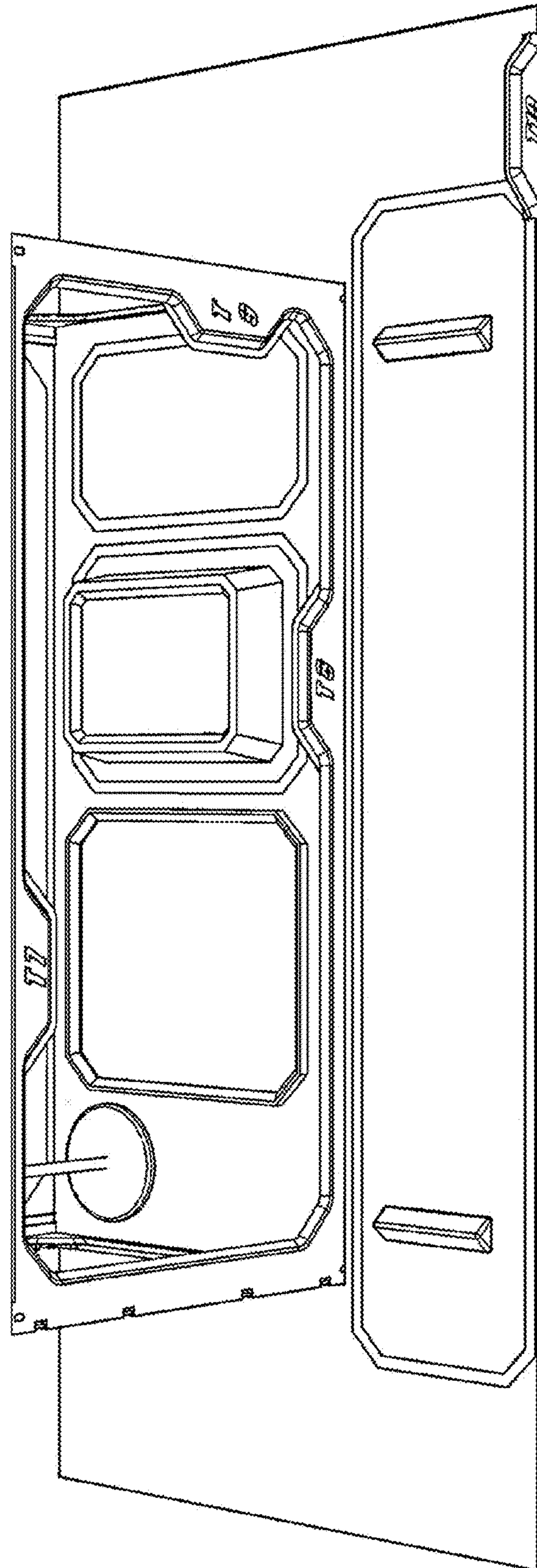


FIG. 8C