



US00D762788S

(12) **United States Design Patent**
Slowey

(10) **Patent No.:** **US D762,788 S**

(45) **Date of Patent:** **** Aug. 2, 2016**

(54) **CENTER INTERFACE ADJUSTABLE
WEIGHT FITNESS TRAINING DEVICE**

(71) Applicant: **Timothy John Slowey**, North Attleboro,
MA (US)

(72) Inventor: **Timothy John Slowey**, North Attleboro,
MA (US)

(**) Term: **14 Years**

(21) Appl. No.: **29/516,183**

(22) Filed: **Jan. 29, 2015**

(51) **LOC (10) Cl.** **21-02**

(52) **U.S. Cl.**
USPC **D21/680**

(58) **Field of Classification Search**

USPC D21/688, 662, 686, 679, 691, 682, 694,
D21/753, 723, 400, 775, 726, 672, 684,
D21/681; D24/211, 212, 214; 601/120;
36/134; 29/428; 12/142 P; 482/50, 106,
482/139, 46, 107, 129, 121, 102, 45, 92, 93,
482/44, 108, 110, 111, 94, 105, 109, 49,
482/141; 604/1; 135/77; D7/682; D8/376,
D8/378, 77; D3/7; D10/81; D25/126;
473/256
CPC A63B 21/0552; A63B 23/16; A63B
21/4035; A63B 21/0557; A63B 23/12; A63B
21/0004

See application file for complete search history.

(56) **References Cited**

U.S. PATENT DOCUMENTS

D274,283 S 6/1984 Wright
D321,230 S * 10/1991 Leonesio D21/682

(Continued)

OTHER PUBLICATIONS

BulletBells by BulletBells dated 1 no date given. Found online [Nov. 4, 2015] <http://bulletbells.com/>.*

Primary Examiner — Robert M Spear

Assistant Examiner — Ryan Harvey

(74) *Attorney, Agent, or Firm* — Ash Tankha; Lipton,
Weinberger & Husick

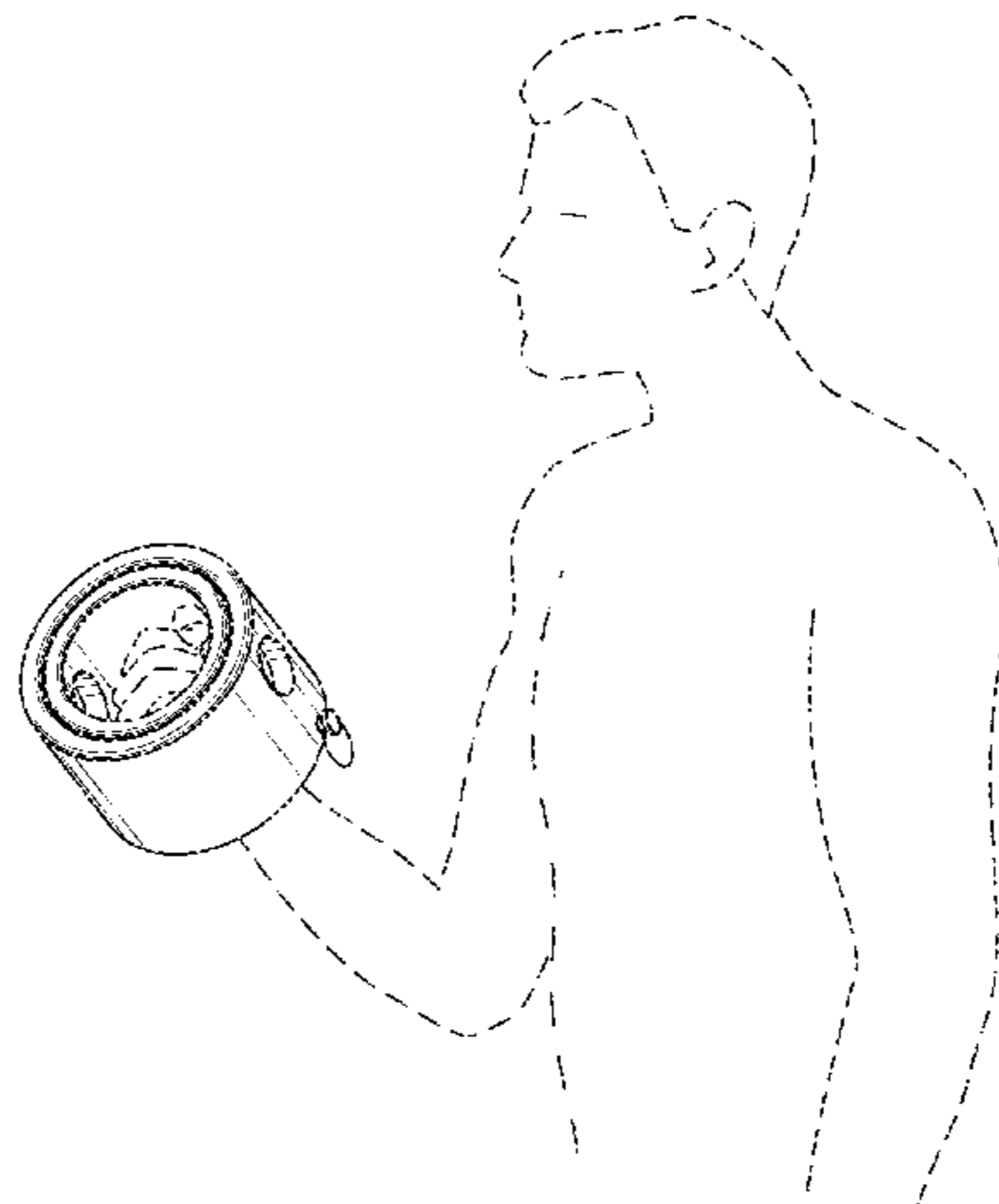
(57) **CLAIM**

The ornamental design for a center interface adjustable weight fitness training device, as shown and described.

DESCRIPTION

FIG. 1 is an isometric view of an ornamental design for a center interface adjustable weight fitness training device; FIG. 2 is an exploded view thereof; FIG. 3 is a front elevation view thereof, the rear elevation view being a mirror image thereof; FIG. 4 is a sectional view thereof, taken along a sectional line AA shown in FIG. 3; FIG. 5 is a top plan view thereof; FIG. 6 is a sectional view thereof, taken along a sectional line BB shown in FIG. 5; FIG. 7 is a sectional view thereof, taken along a sectional line CC shown in FIG. 5; FIG. 8 is a top perspective view thereof; FIG. 9 is a bottom perspective view thereof; FIG. 10 is a right side elevation view thereof, the left side elevation view being a mirror image thereof; FIG. 11 is a top perspective view thereof, showing an additional cylindrical weight added to the center interface adjustable weight fitness training device; FIG. 12 is a top perspective view of the center interface adjustable weight fitness training device with connection ports, showing a straight bar inserted through the connection ports; FIG. 13 is a side elevation view thereof in an inverted position, showing connection of a resistance chain through a connection port; FIG. 14 is a side elevation view thereof in an inverted position, showing connection of a resistance band through a connection port; FIG. 15 is a perspective view showing the center interface adjustable weight fitness training device positioned on a foot of a user; and, FIG. 16 is a perspective view showing the center interface adjustable weight fitness training device held in each hand of a user. The broken line showing of the internal non-visible structure in FIG. 7, additional cylindrical weight in FIG. 11, the straight bar in FIG. 12, the resistance chain in FIG. 13, the resistance band in FIG. 14, the foot of a user in FIG. 15, and the user in FIG. 16 illustrates subject matter that forms no part of the claimed design.

1 Claim, 13 Drawing Sheets



US D762,788 S

Page 2

(56)

References Cited

U.S. PATENT DOCUMENTS

D328,112 S *	7/1992	Maddix	D21/694	7,014,598 B2	3/2006	Fenelon et al.		
5,730,689 A *	3/1998	Haugen	A63B 23/12	7,878,952 B2	2/2011	Fenelon		
				482/102	D647,580 S	10/2011	Cen		
6,039,679 A *	3/2000	Yu	A63B 21/00196	2006/0073951 A1 *	4/2006	Walkow	A63B 21/0601
				482/1					482/109
D438,265 S	2/2001	Fenelon			2006/0116256 A1 *	6/2006	Carney	A63B 21/0724
D480,438 S	10/2003	Walkow							482/106
7,011,611 B1	3/2006	Ripley			2008/0051272 A1 *	2/2008	Lazar	A63B 21/06
									482/139
					2014/0256515 A1 *	9/2014	Jones	A63B 21/0602
									482/93

* cited by examiner

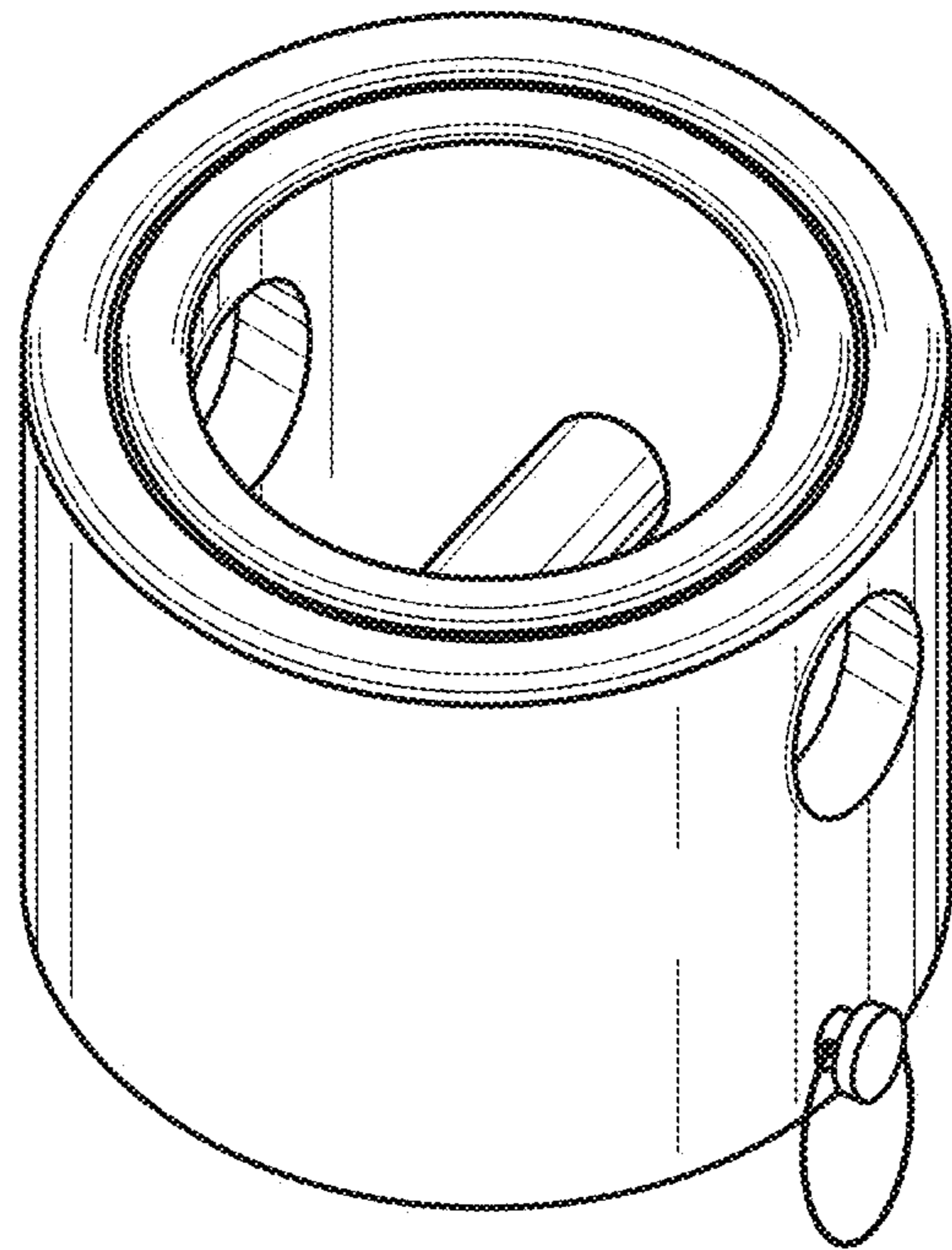


FIG. 1

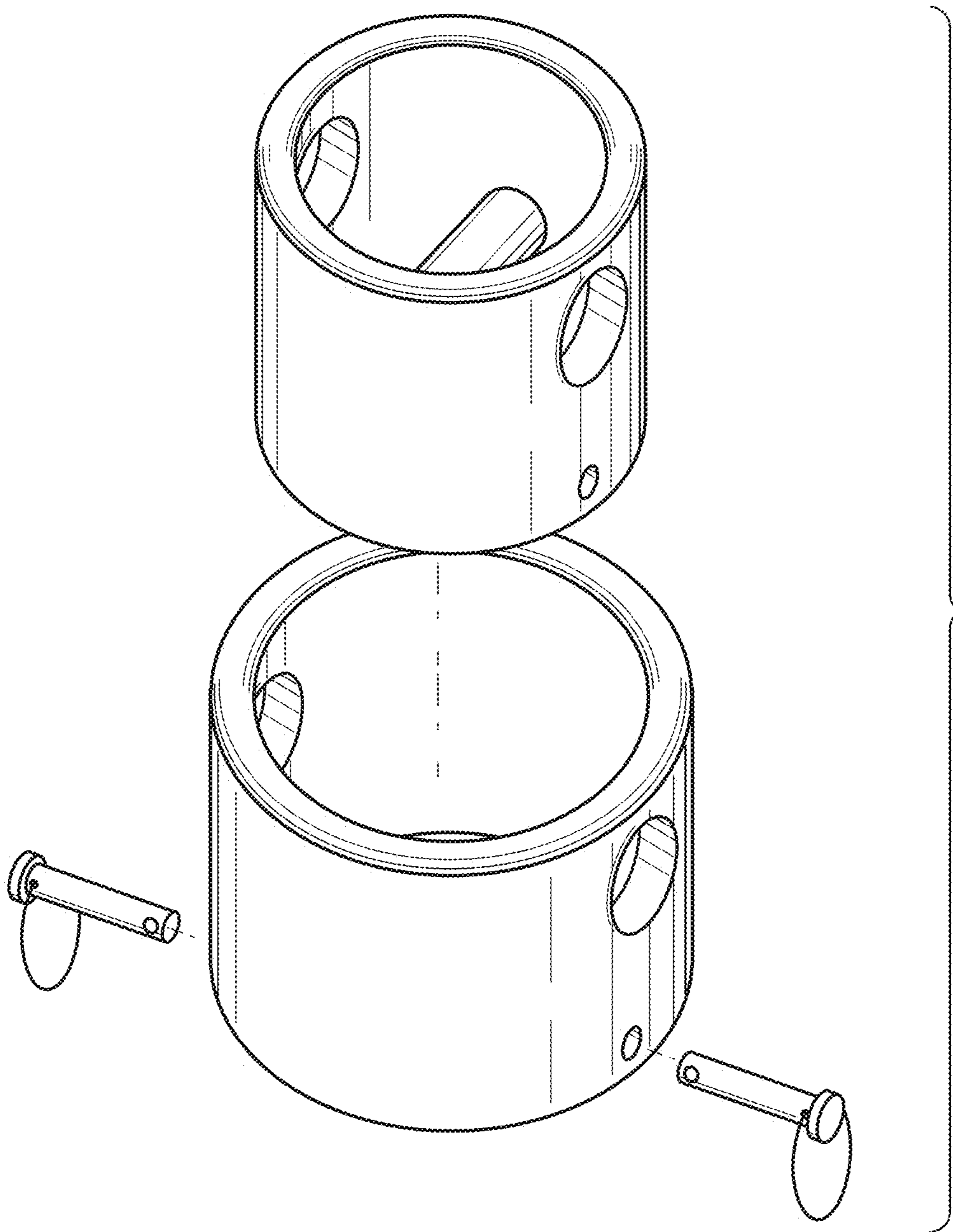


FIG. 2

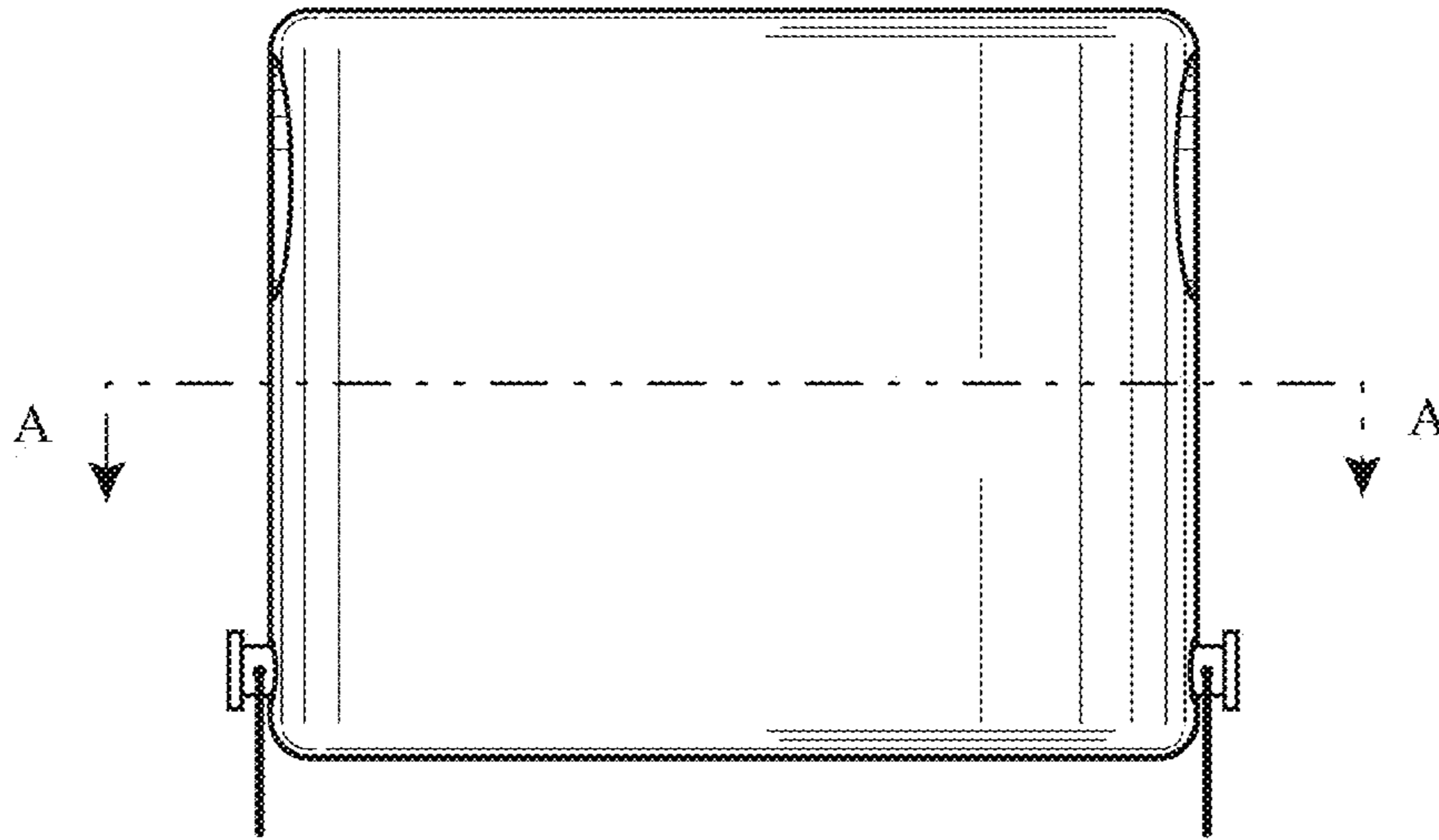


FIG. 3

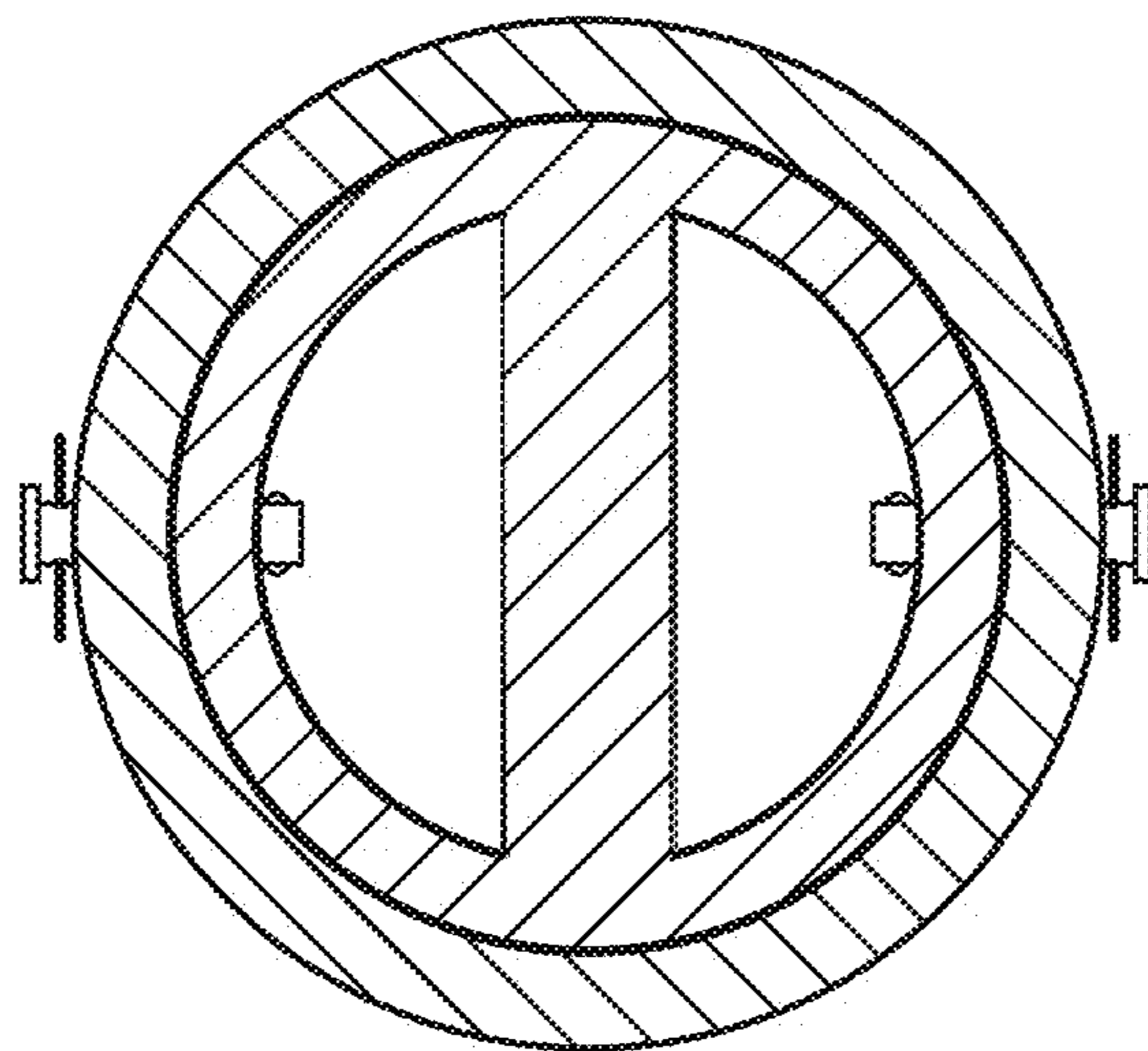


FIG. 4

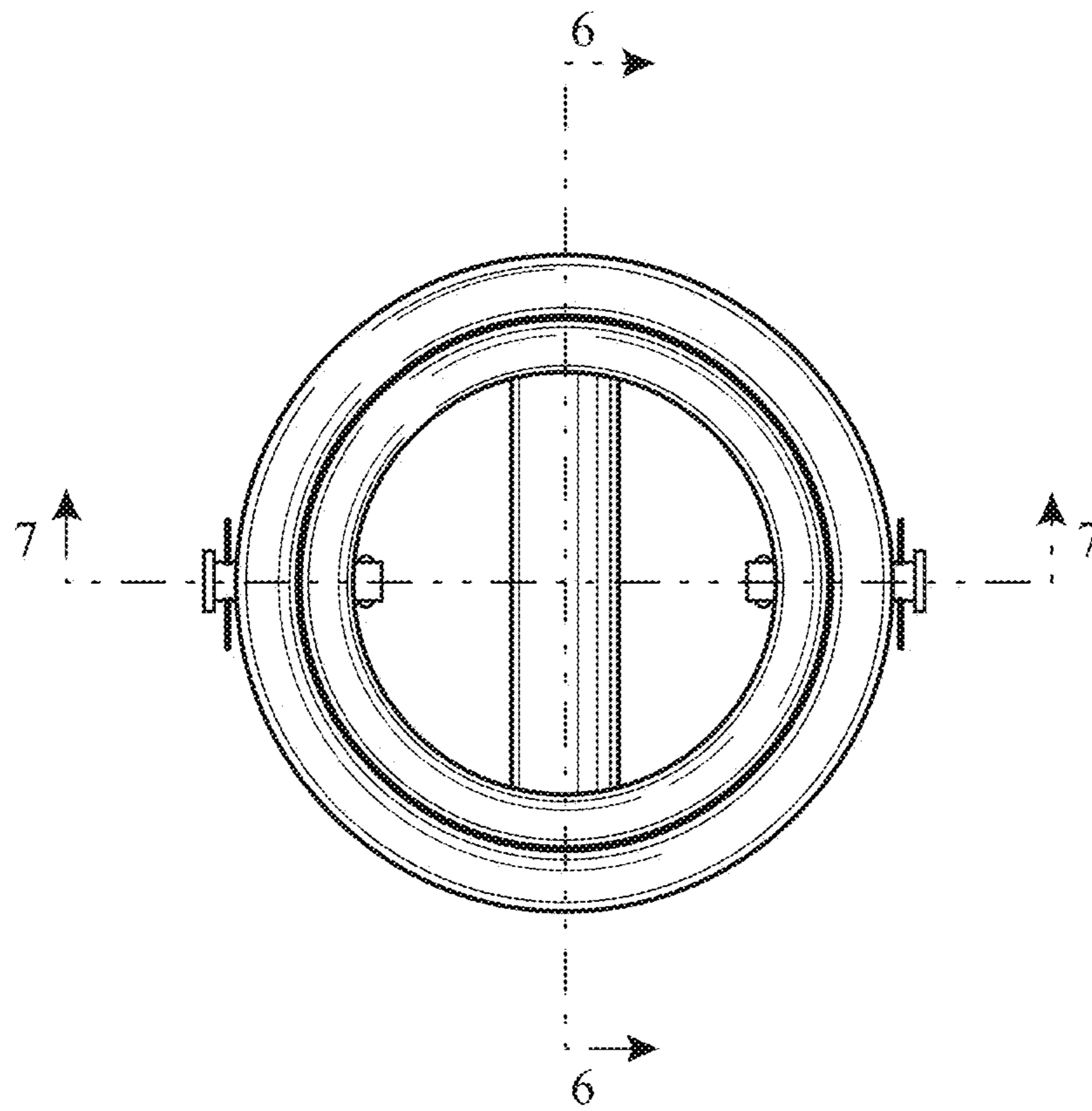


FIG. 5

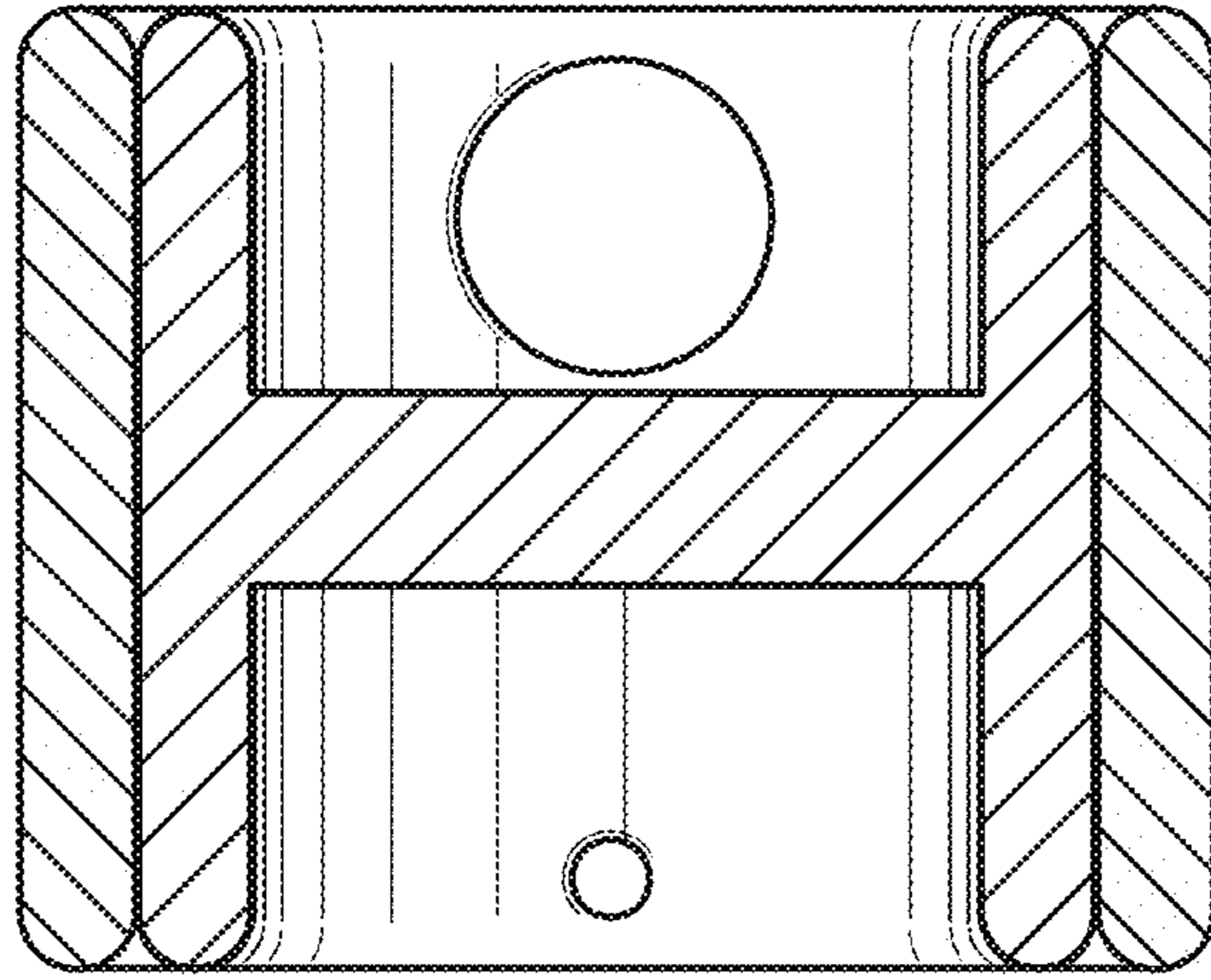


FIG. 6

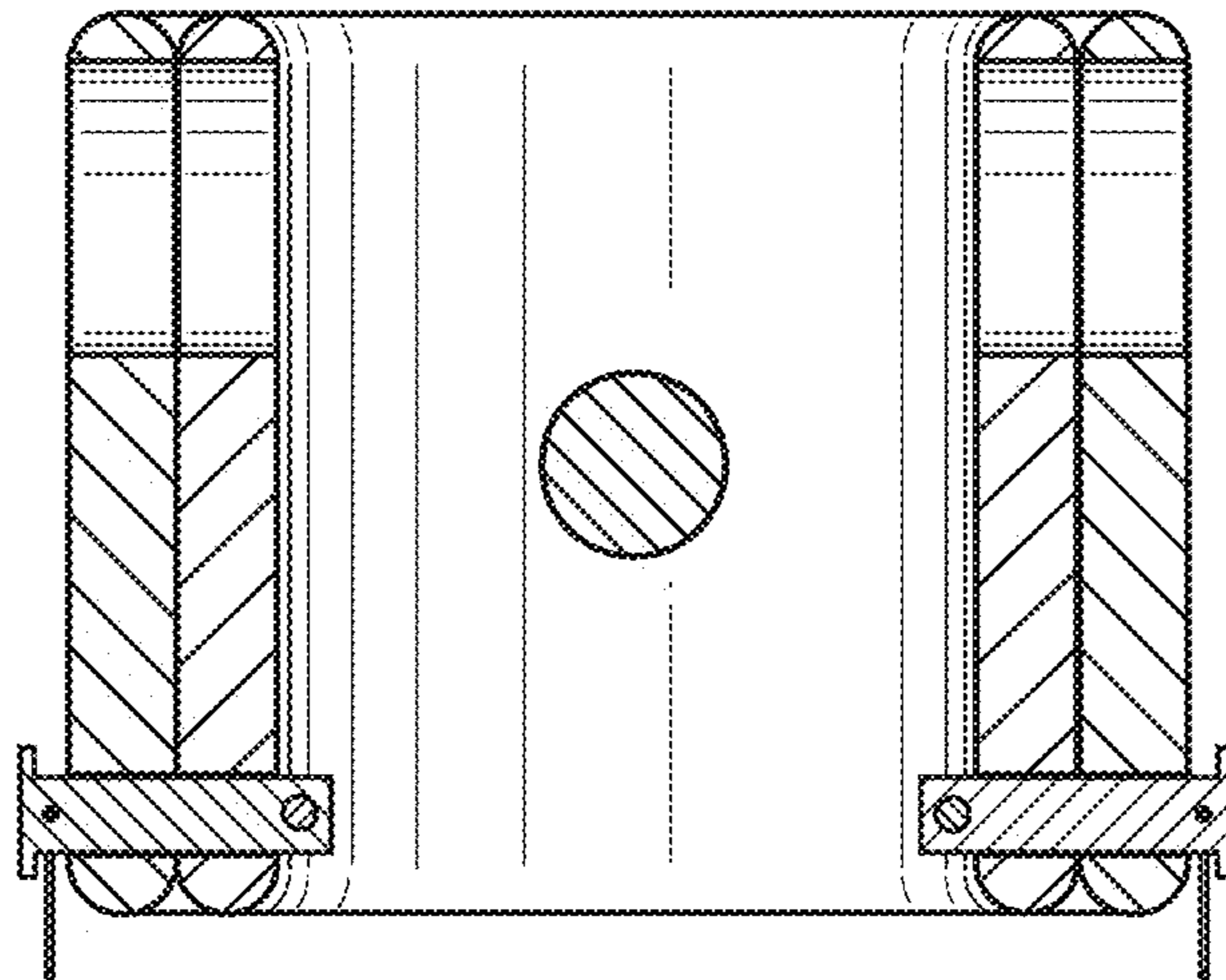


FIG. 7

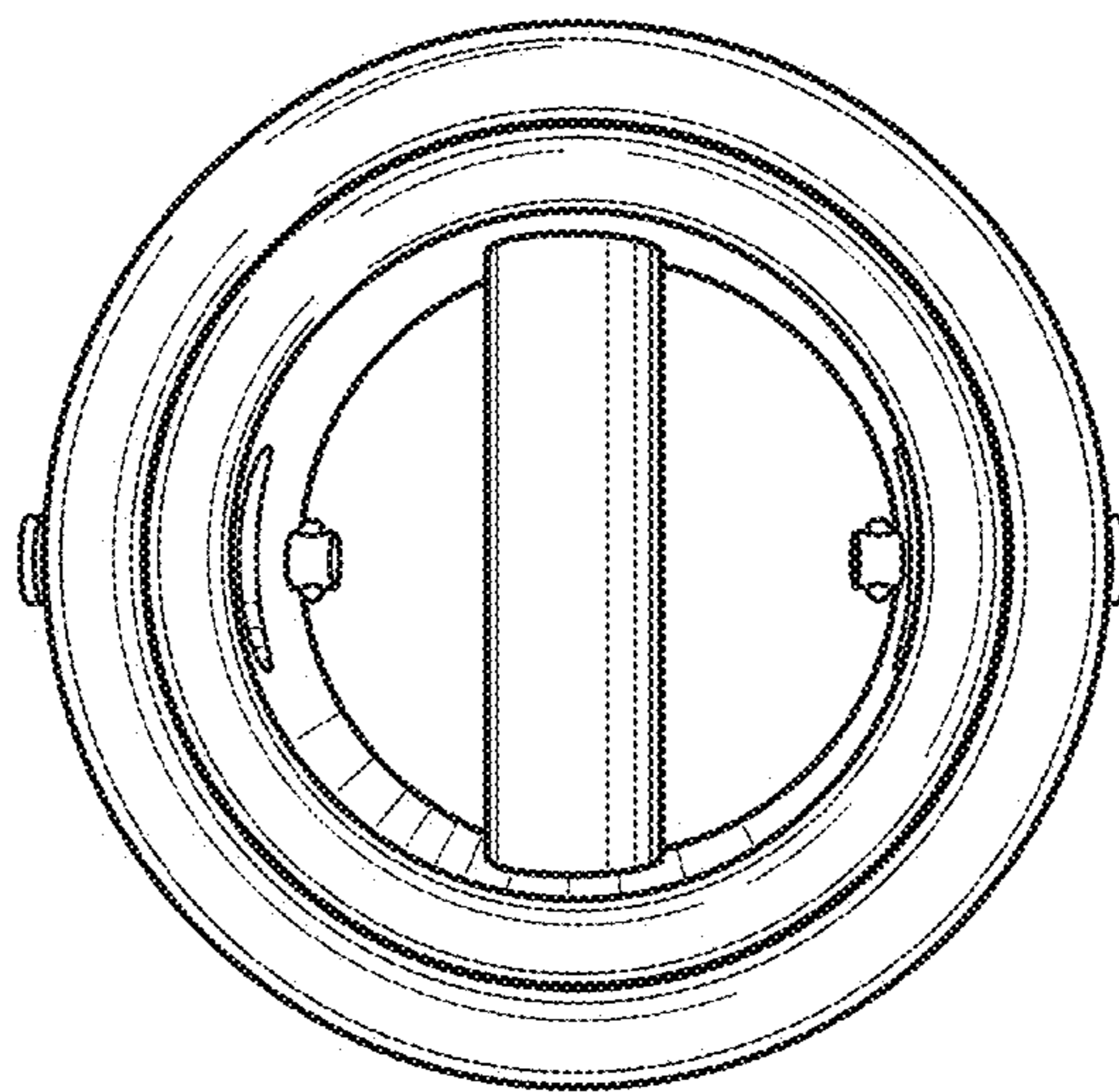


FIG. 8

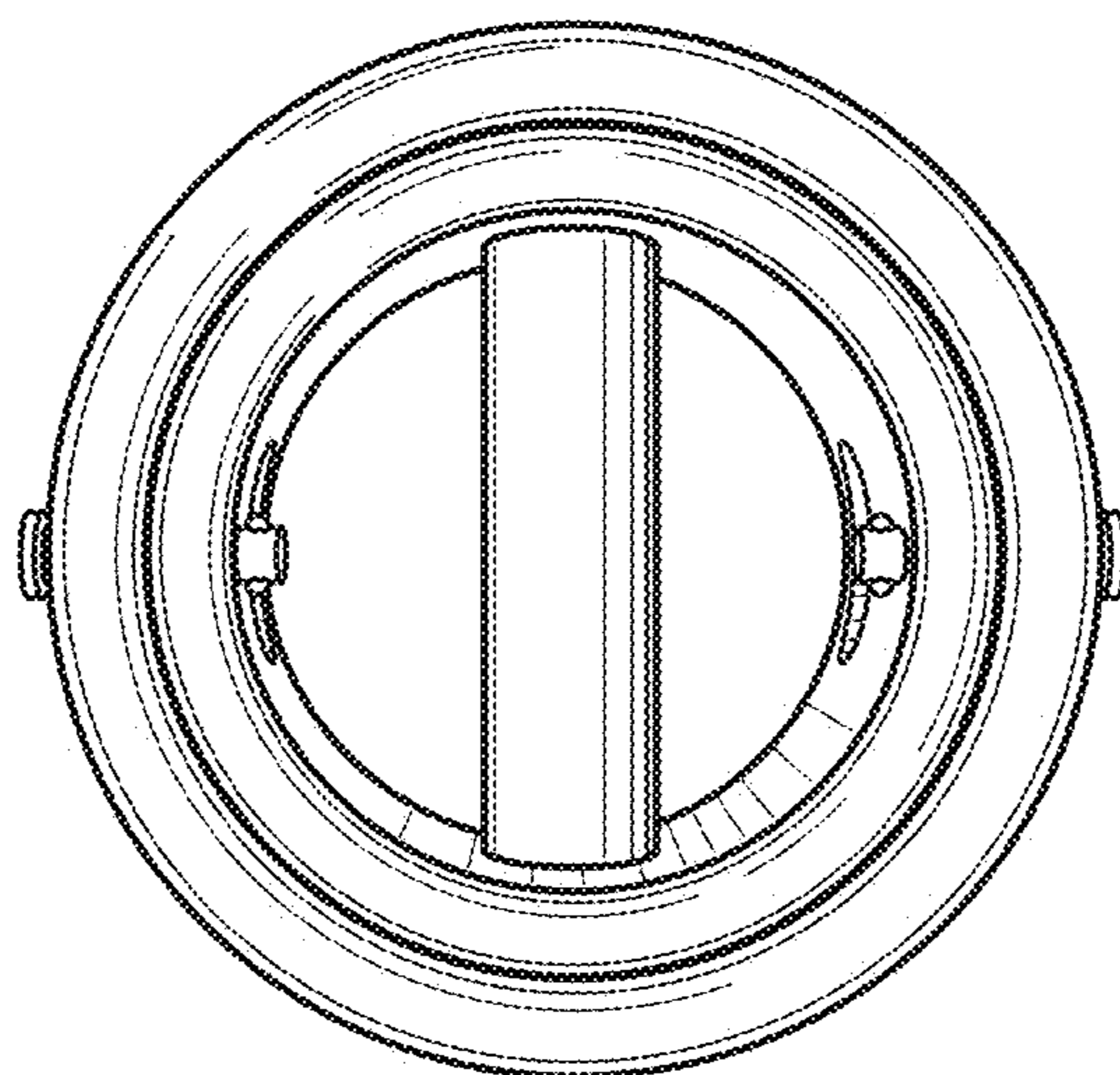


FIG. 9

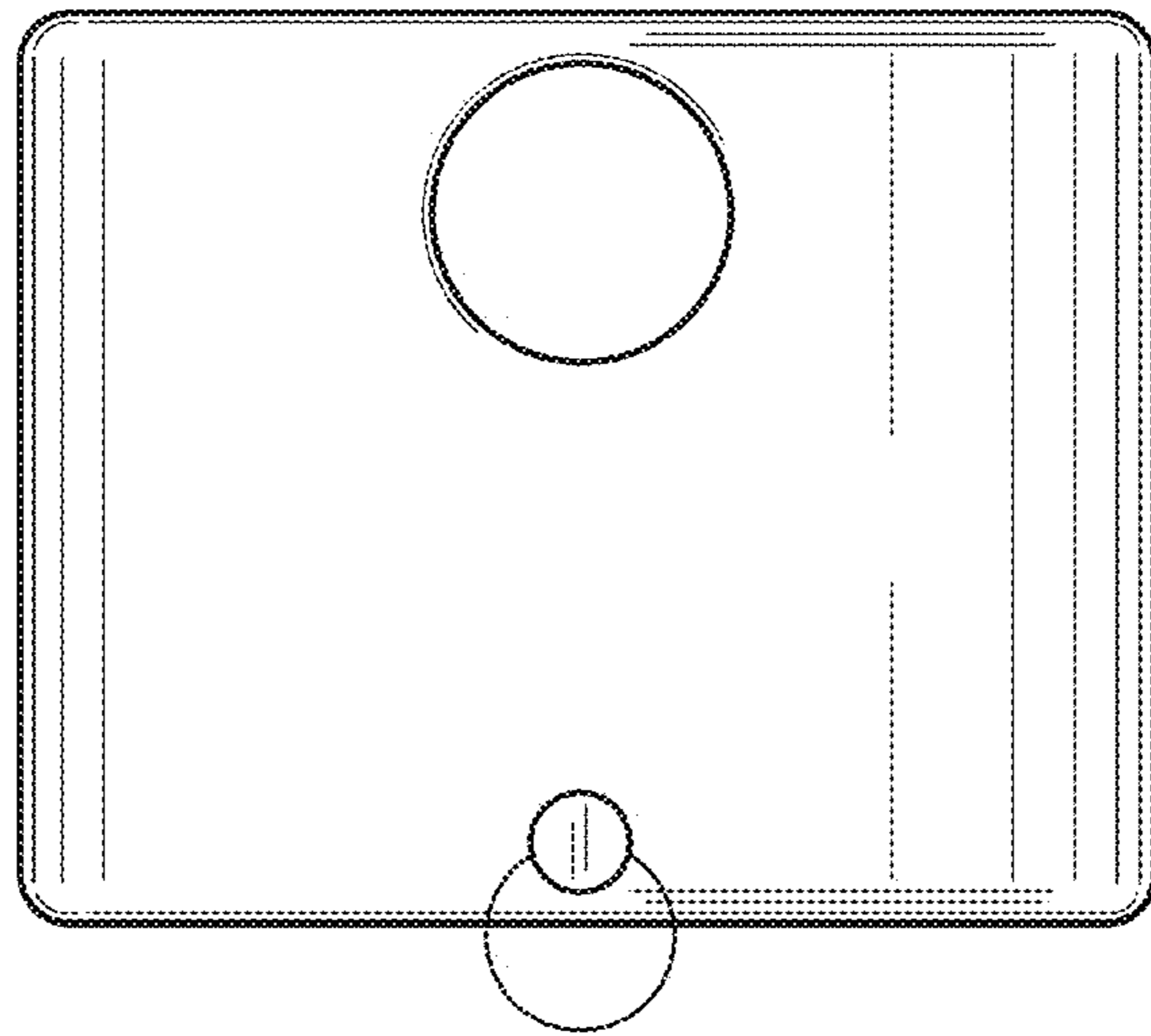


FIG. 10

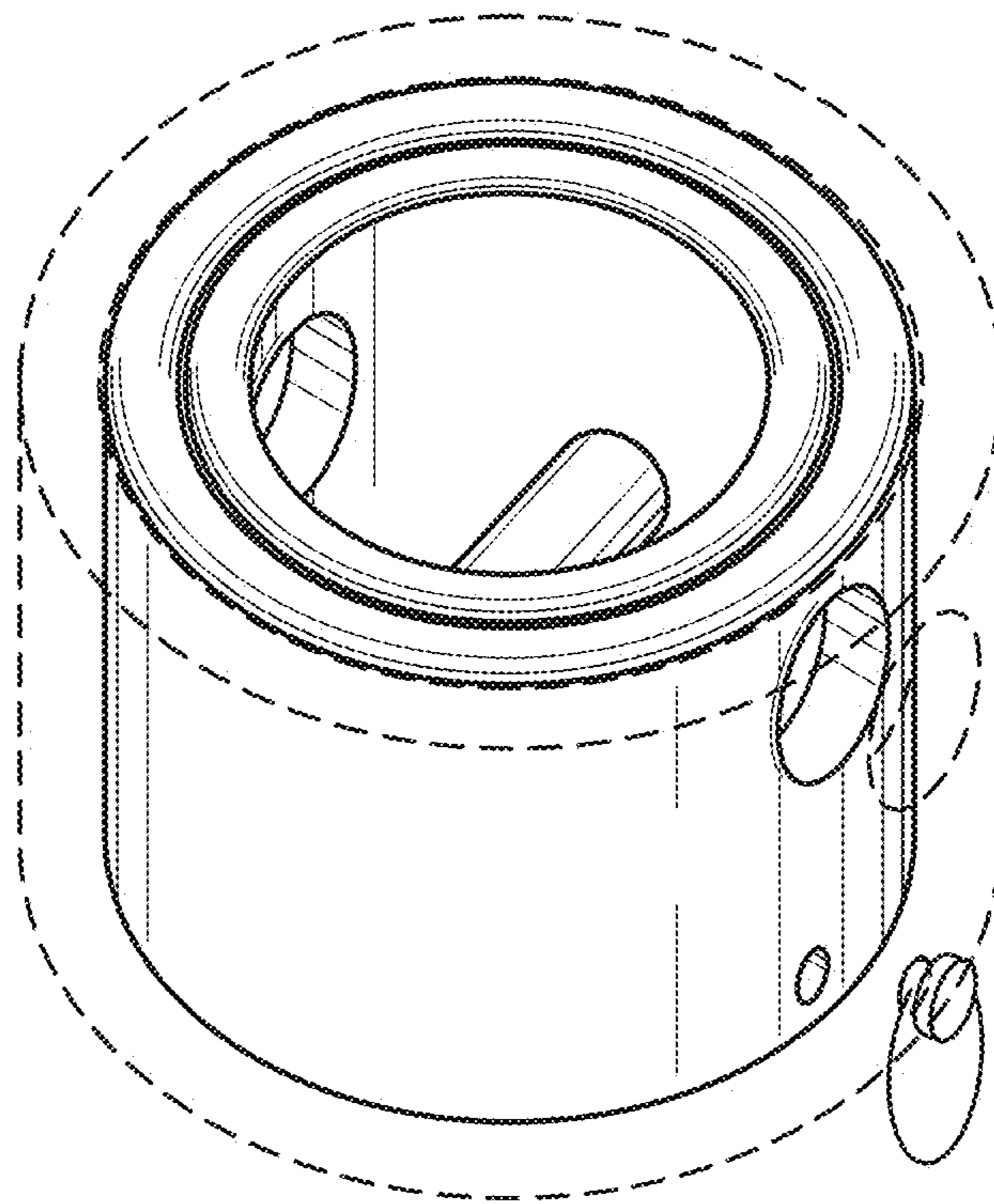


FIG. 11

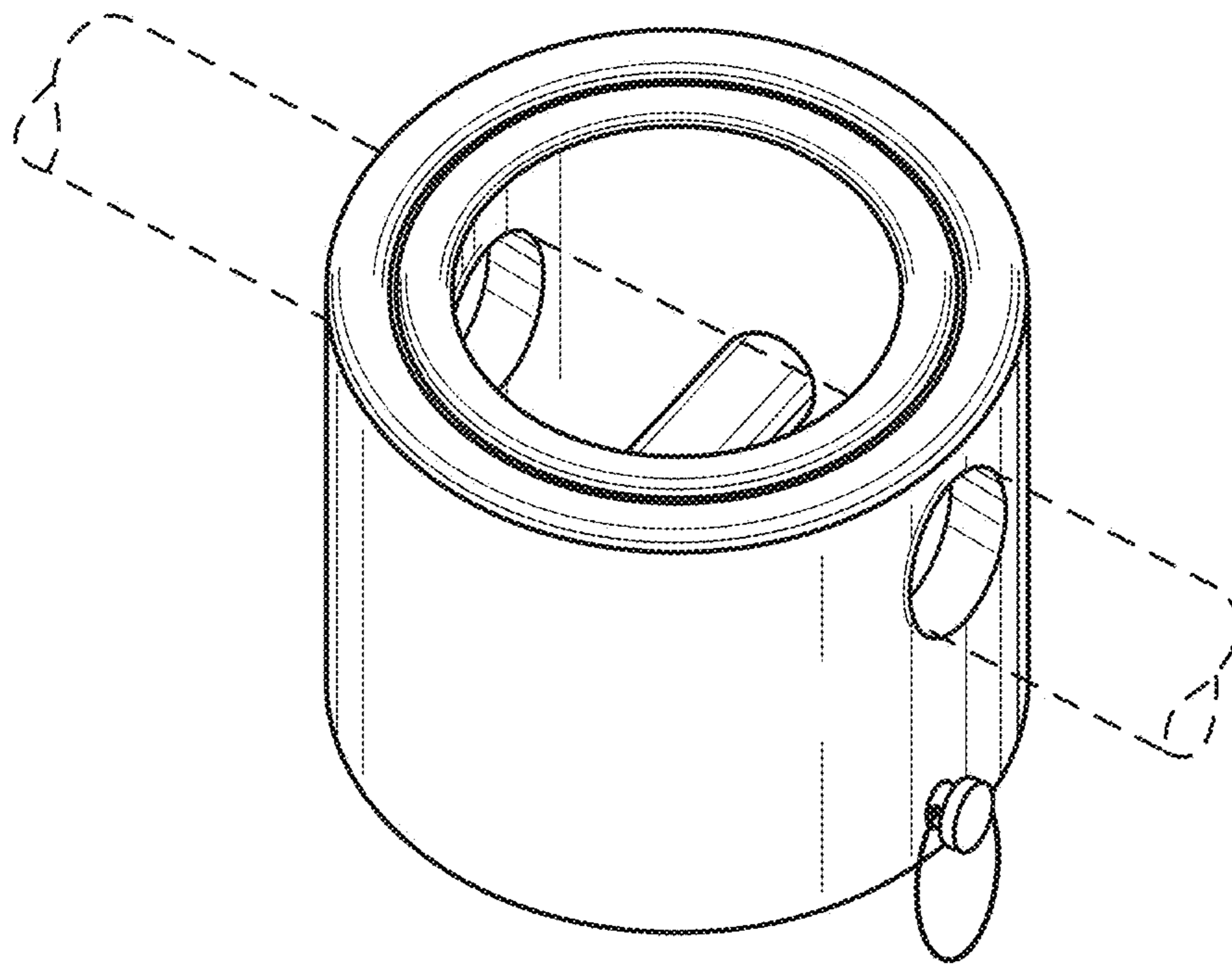


FIG. 12

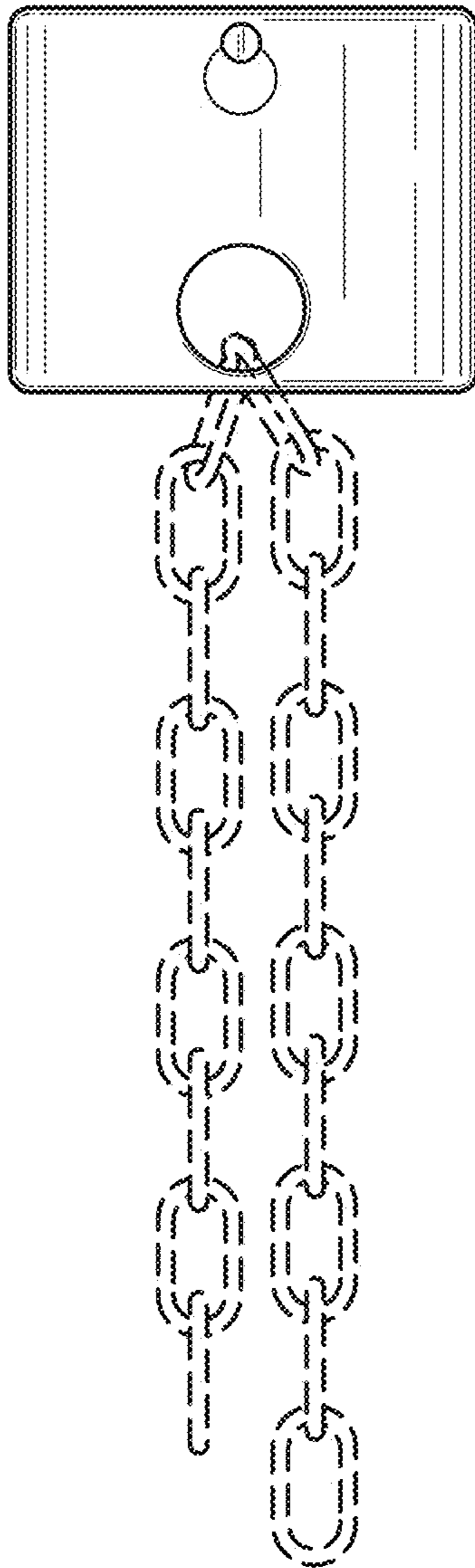


FIG. 13

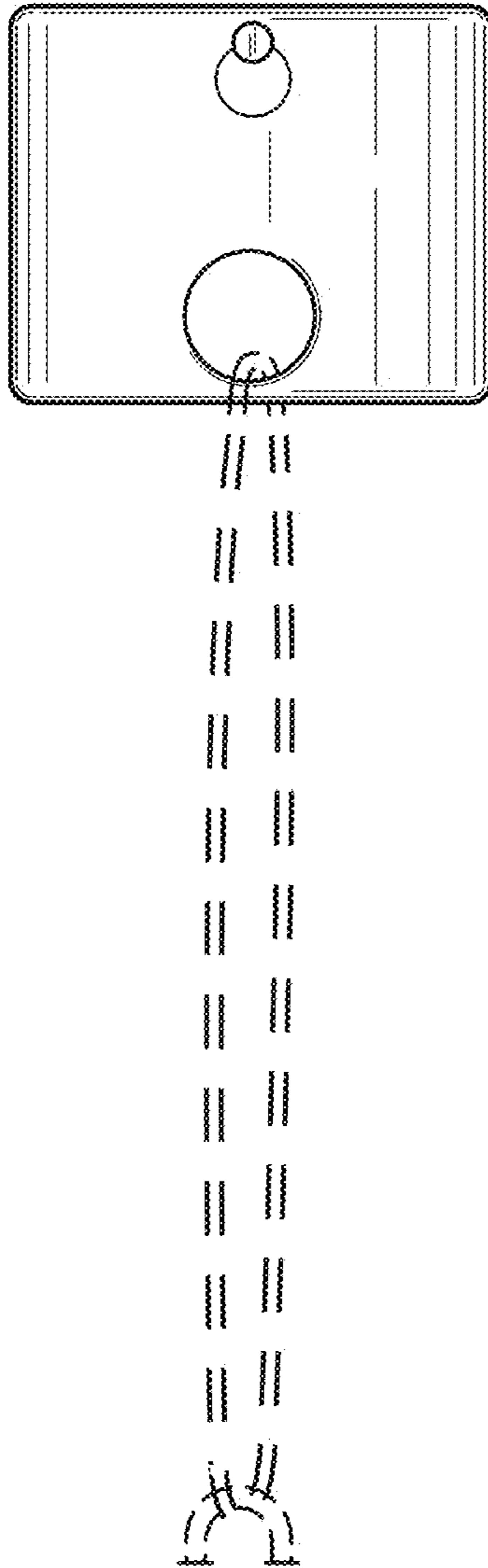


FIG. 14

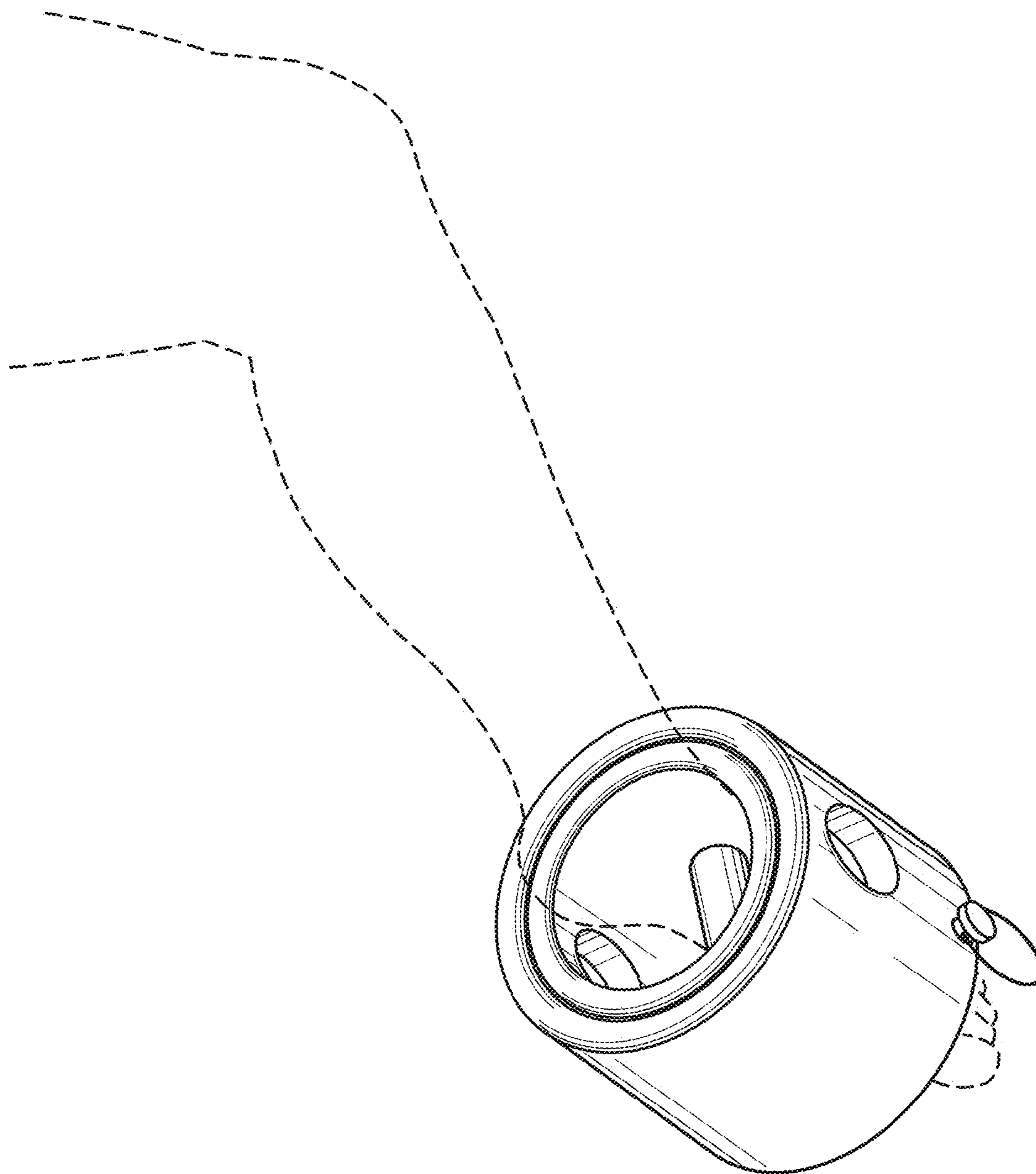


FIG. 15

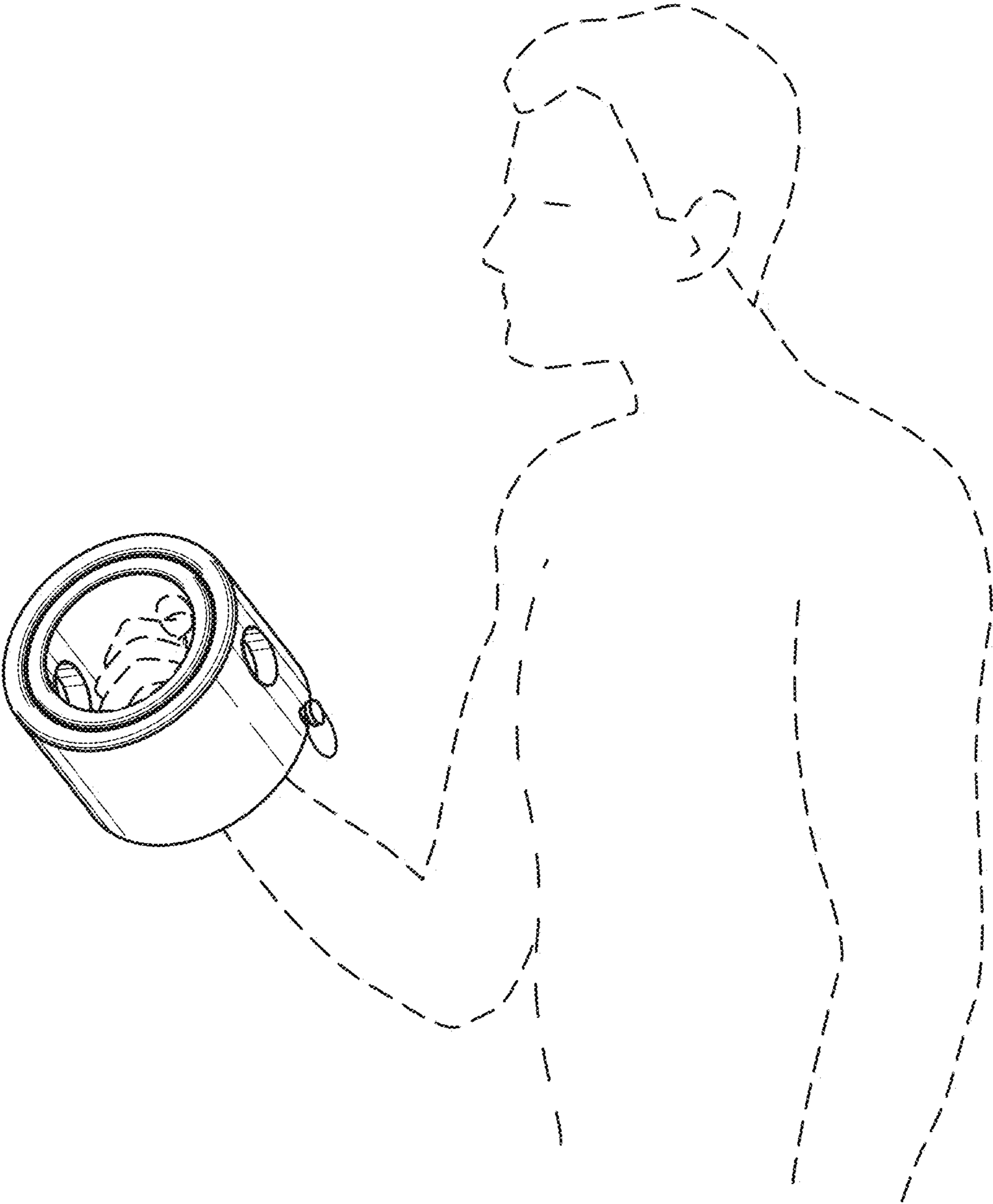


FIG. 16