



US00D762787S

(12) **United States Design Patent**  
**Barbiani et al.**

(10) **Patent No.:** **US D762,787 S**

(45) **Date of Patent:** **\*\* Aug. 2, 2016**

(54) **LEG PORTION OF TOY FIGURE**

(56) **References Cited**

(71) Applicant: **LEGO A/S**, Billund (DK)

U.S. PATENT DOCUMENTS

(72) Inventors: **Marco Barbiani**, Aarhus C (DK); **Pia Pilgaard**, Skanderborg (DK)

|              |        |                  |         |
|--------------|--------|------------------|---------|
| D539,364 S * | 3/2007 | Sofussen .....   | D21/621 |
| D680,598 S * | 4/2013 | Geller .....     | D21/621 |
| D688,330 S * | 8/2013 | Provencher ..... | D21/621 |
| D688,333 S * | 8/2013 | Stosiak .....    | D21/621 |
| D688,336 S * | 8/2013 | Provencher ..... | D21/621 |
| D689,567 S * | 9/2013 | Pilgaard .....   | D21/621 |
| D738,966 S * | 9/2015 | Chen .....       | D21/621 |

(73) Assignee: **LEGO A/S**, Billund (DK)

(\*\*) Term: **15 Years**

\* cited by examiner

(21) Appl. No.: **29/527,915**

*Primary Examiner* — Zenia Bennett

(22) Filed: **May 22, 2015**

(74) *Attorney, Agent, or Firm* — Day Pitney LLP

(30) **Foreign Application Priority Data**

(57) **CLAIM**

Nov. 25, 2014 (DK) ..... 854585501

The ornamental design for a leg portion of toy figure, as shown and described.

(51) **LOC (10) Cl.** ..... **21-01**

**DESCRIPTION**

(52) **U.S. Cl.**  
USPC ..... **D21/649**; D21/645

FIG. 1 is a top plan view of the leg portion of toy figure;

(58) **Field of Classification Search**  
USPC ..... D21/621, 623, 624, 625, 628, 630, 631,  
D21/633, 640, 643-649, 659; 446/268, 360,  
446/361, 376, 379, 382-384; D11/136, 160  
CPC ..... A63H 3/02; A63H 3/04; A63H 3/06;  
A63H 3/08; A63H 3/10

FIG. 2 is a front view thereof;

FIG. 3 is a top perspective view thereof;

FIG. 4 is another perspective view thereof;

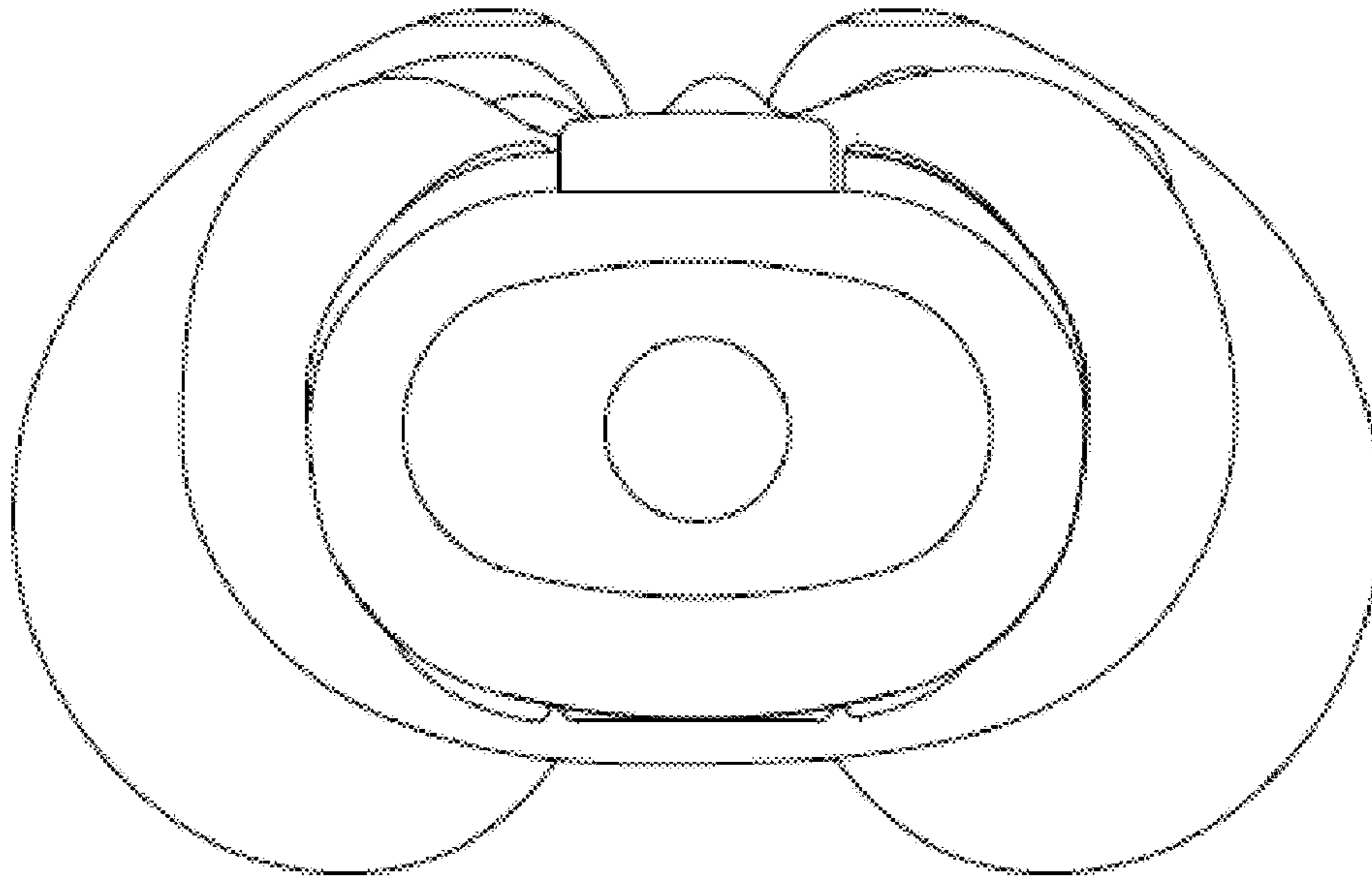
FIG. 5 is a right side view thereof;

FIG. 6 is a left side view thereof; and,

FIG. 7 is a bottom perspective view.

See application file for complete search history.

**1 Claim, 7 Drawing Sheets**



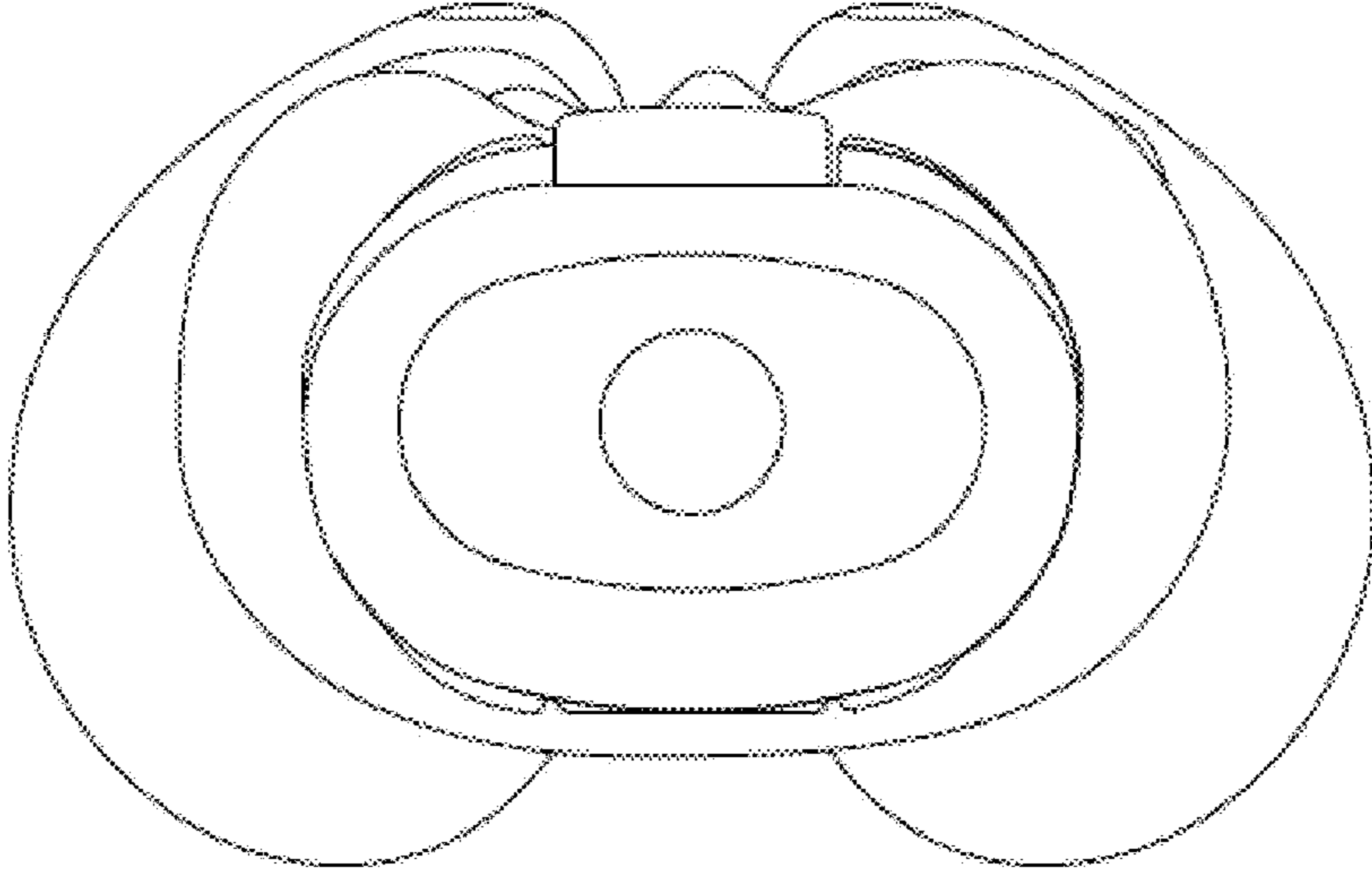


FIG. 1

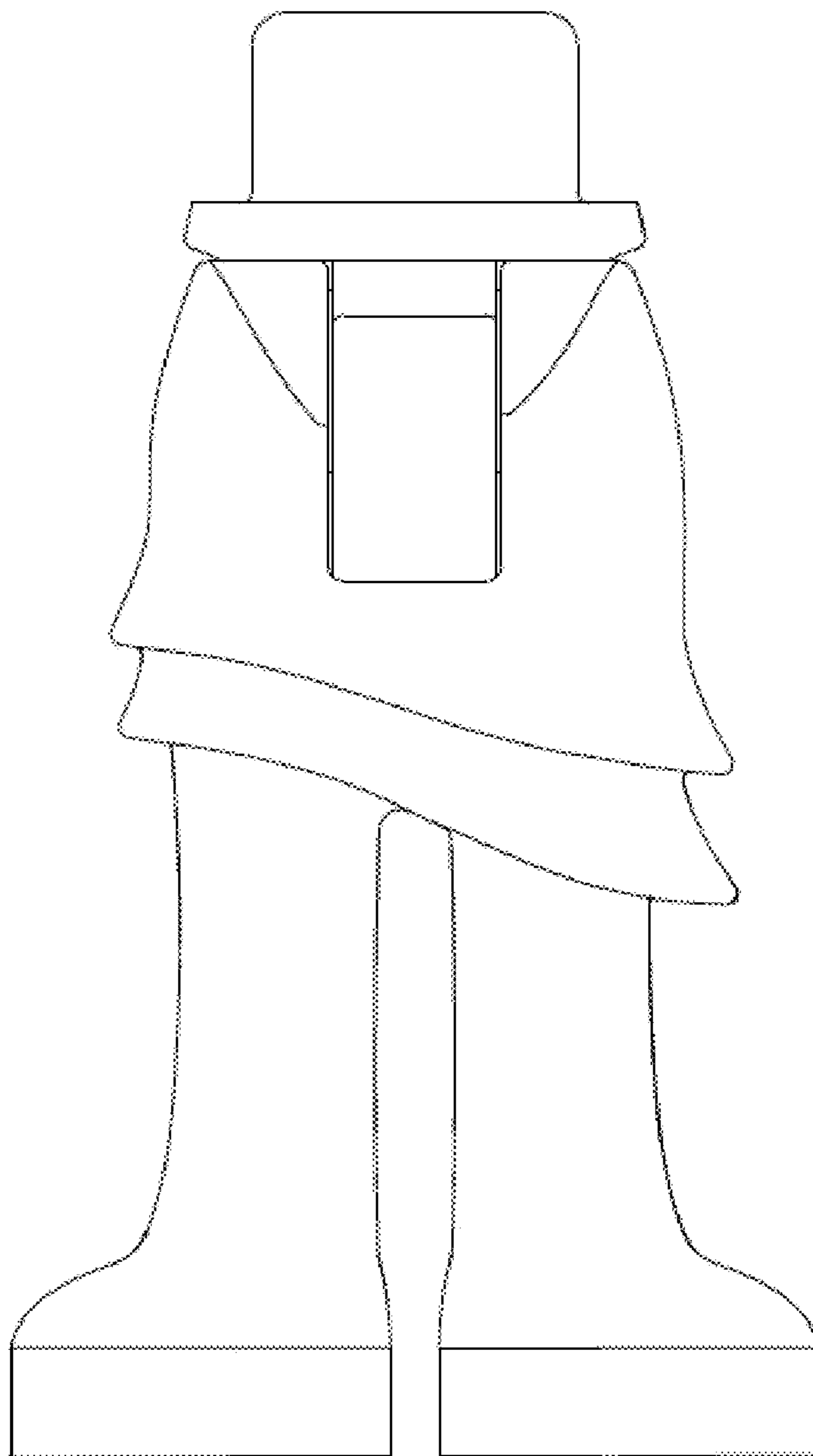


FIG. 2

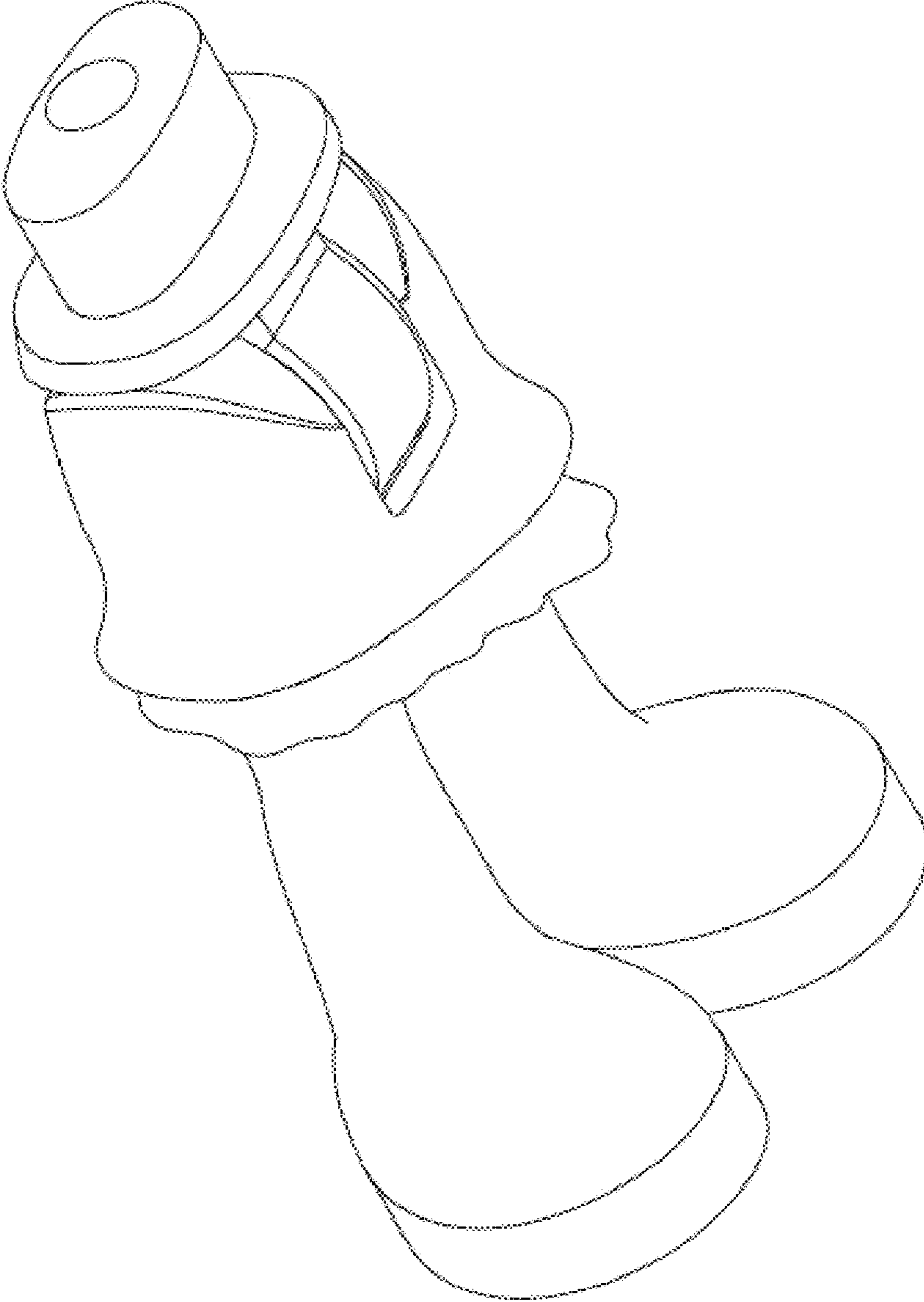


FIG. 3

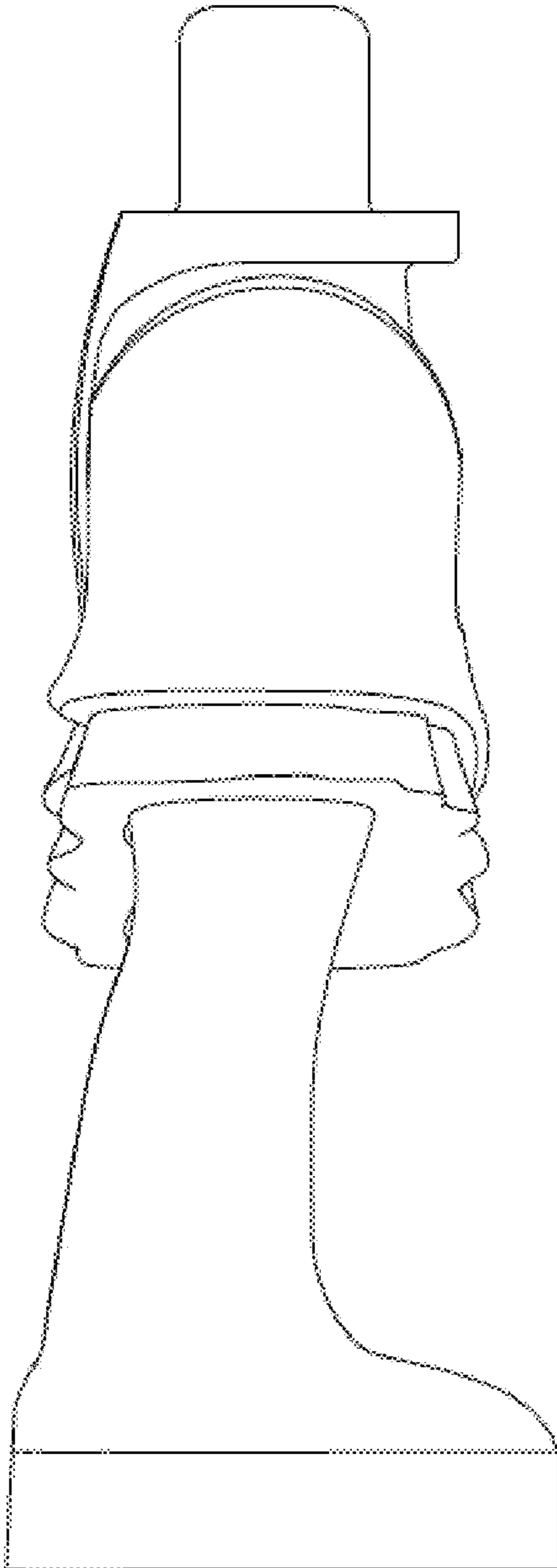


FIG. 4

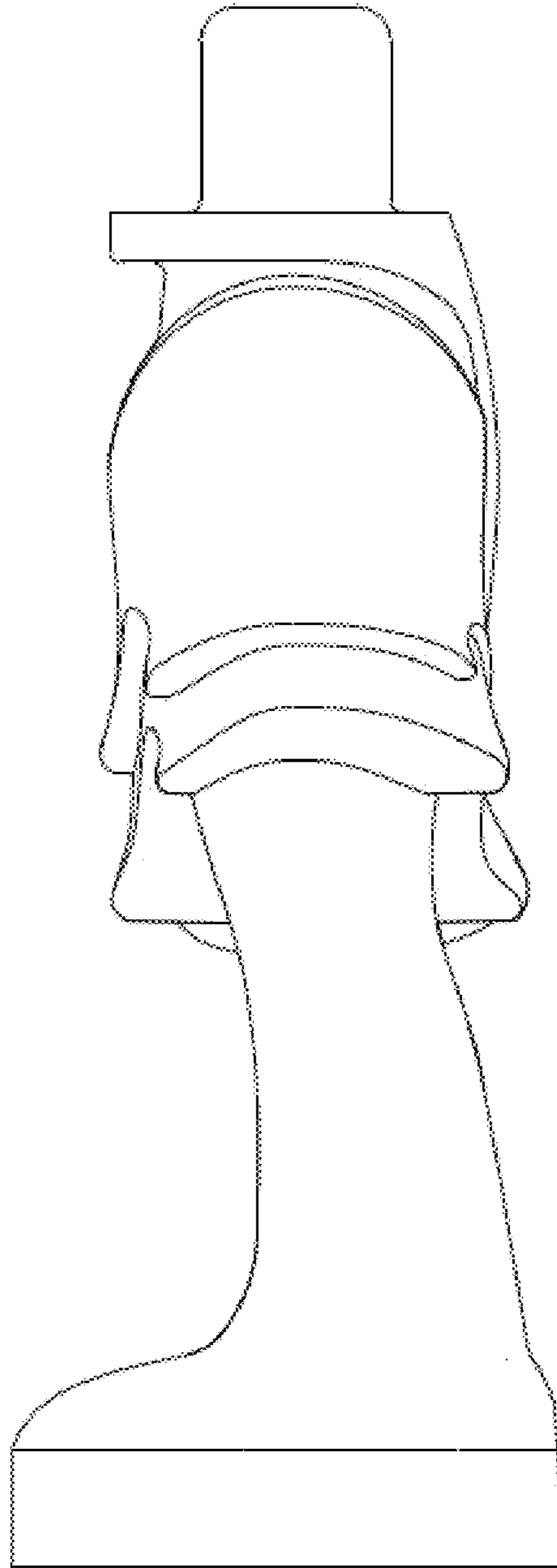


FIG. 5

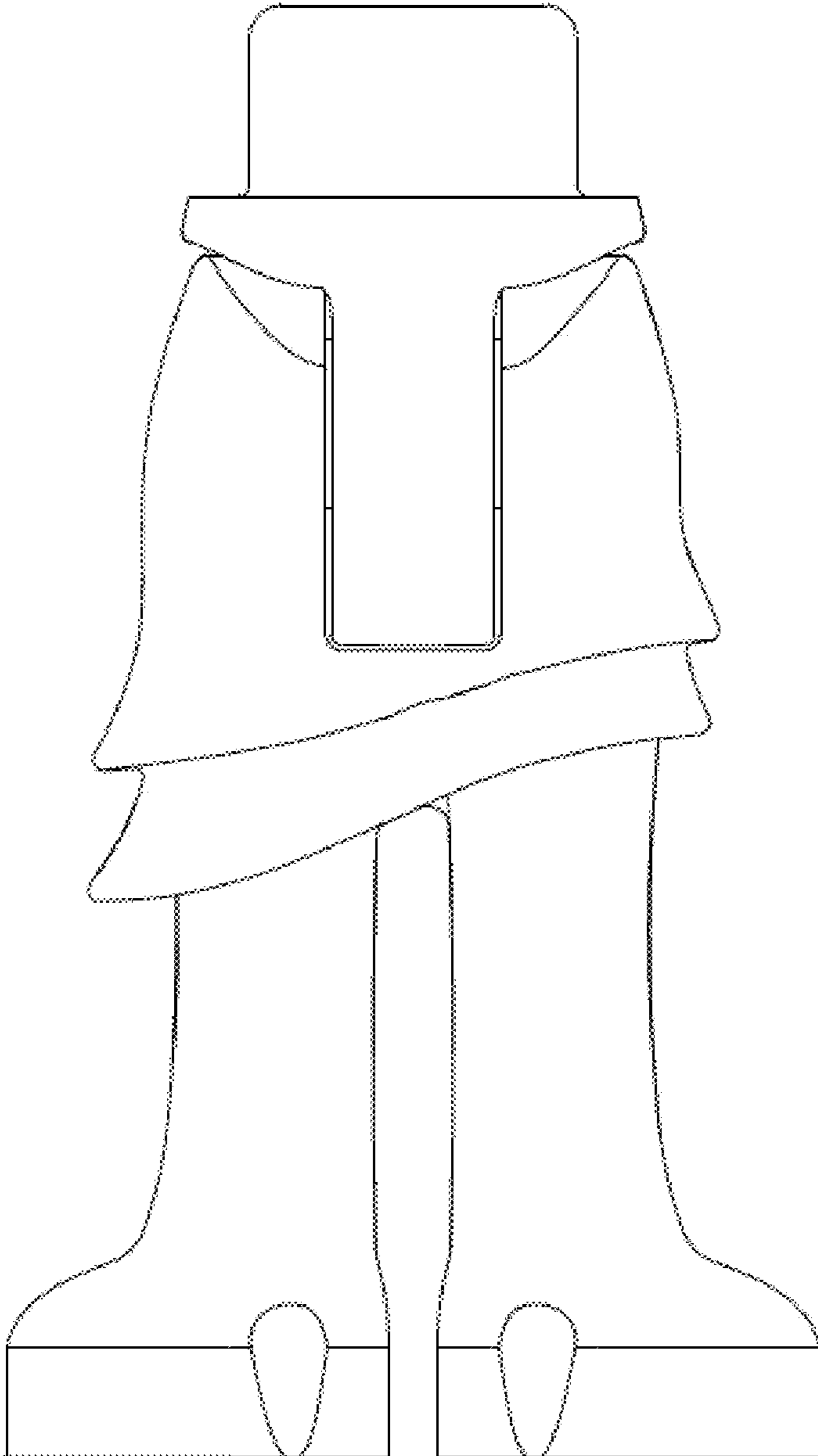


FIG. 6

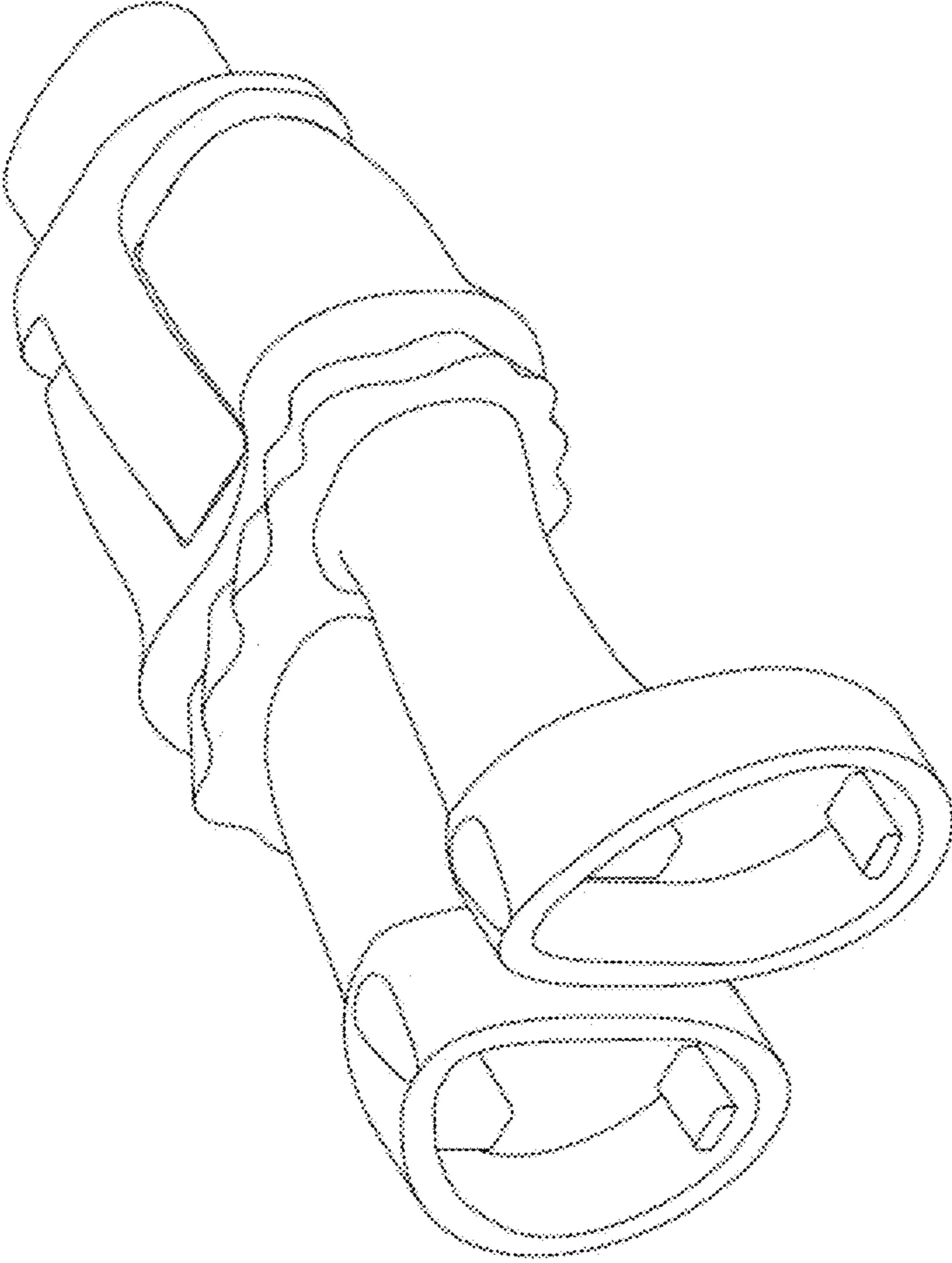


FIG. 7