



US00D762785S

(12) **United States Design Patent**
Ueda et al.

(10) **Patent No.:** **US D762,785 S**
(45) **Date of Patent:** **** Aug. 2, 2016**

(54) **TOY GUN**

(71) Applicant: **BANDAI CO., LTD.**, Tokyo (JP)

(72) Inventors: **Masahiro Ueda**, Tokyo (JP); **Yasutomo Suzuki**, Tokyo (JP); **Naomi Takebe**, Tokyo (JP); **Takashi Suzuki**, Tokyo (JP)

(73) Assignee: **BANDAI CO., LTD.**, Tokyo (JP)

(**) Term: **15 Years**

(21) Appl. No.: **29/526,913**

(22) Filed: **May 13, 2015**

(30) **Foreign Application Priority Data**

Nov. 14, 2014 (JP) 2014-025362

(51) **LOC (10) Cl.** **21-01**

(52) **U.S. Cl.**
USPC **D21/575**

(58) **Field of Classification Search**

USPC D21/401, 461, 567, 569, 570, 572, 573,
D21/574, 597, 598, 615; 446/23, 72, 182,
446/192, 401, 403, 405-407, 473, 475
CPC F42B 6/10; F42B 12/40; F42B 12/74;
F42B 33/00; F41B 7/00; F41B 7/08; F41B
11/51; F41B 11/57; F41B 11/66; F41B
11/641; F41B 11/642; F41B 11/646; F41B
11/681; F41B 11/723; F41B 11/89

See application file for complete search history.

(56) **References Cited**

U.S. PATENT DOCUMENTS

D352,533 S * 11/1994 Wolfe D21/598
D384,114 S * 9/1997 Spielberg D21/598
D428,077 S * 7/2000 Zimmerman D21/572
D528,914 S * 9/2006 Williams D9/434
D533,233 S * 12/2006 Chuang D21/572

D533,234 S * 12/2006 Chuang D21/572
D533,235 S * 12/2006 Chuang D21/572
D536,748 S * 2/2007 Chuang D21/572
D621,449 S * 8/2010 Wong D21/572
2006/0027596 A1 * 2/2006 Walther A47K 5/1202
222/78

* cited by examiner

Primary Examiner — Cynthia M Chin

(74) *Attorney, Agent, or Firm* — Rabin & Berdo, P.C.

(57) **CLAIM**

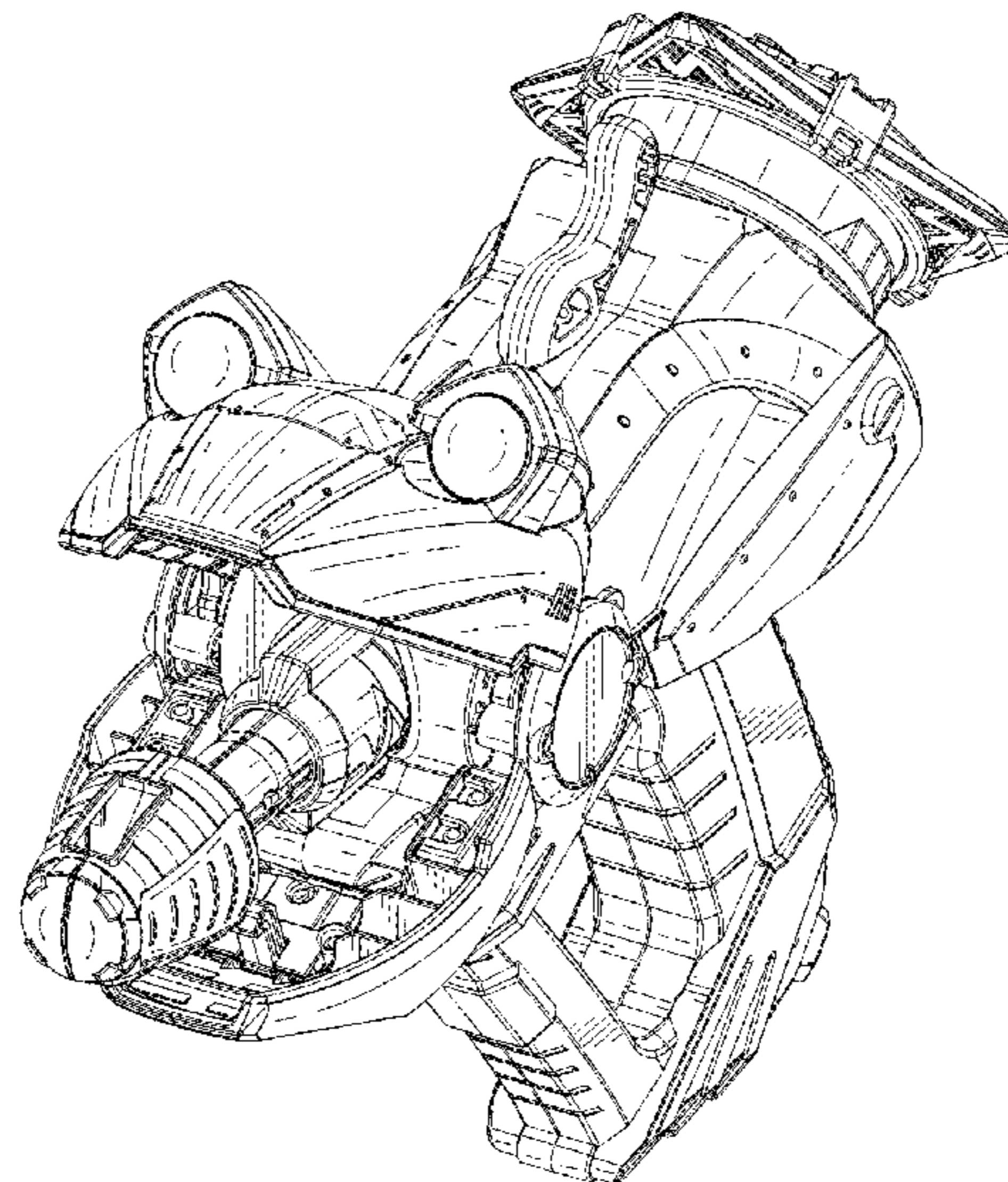
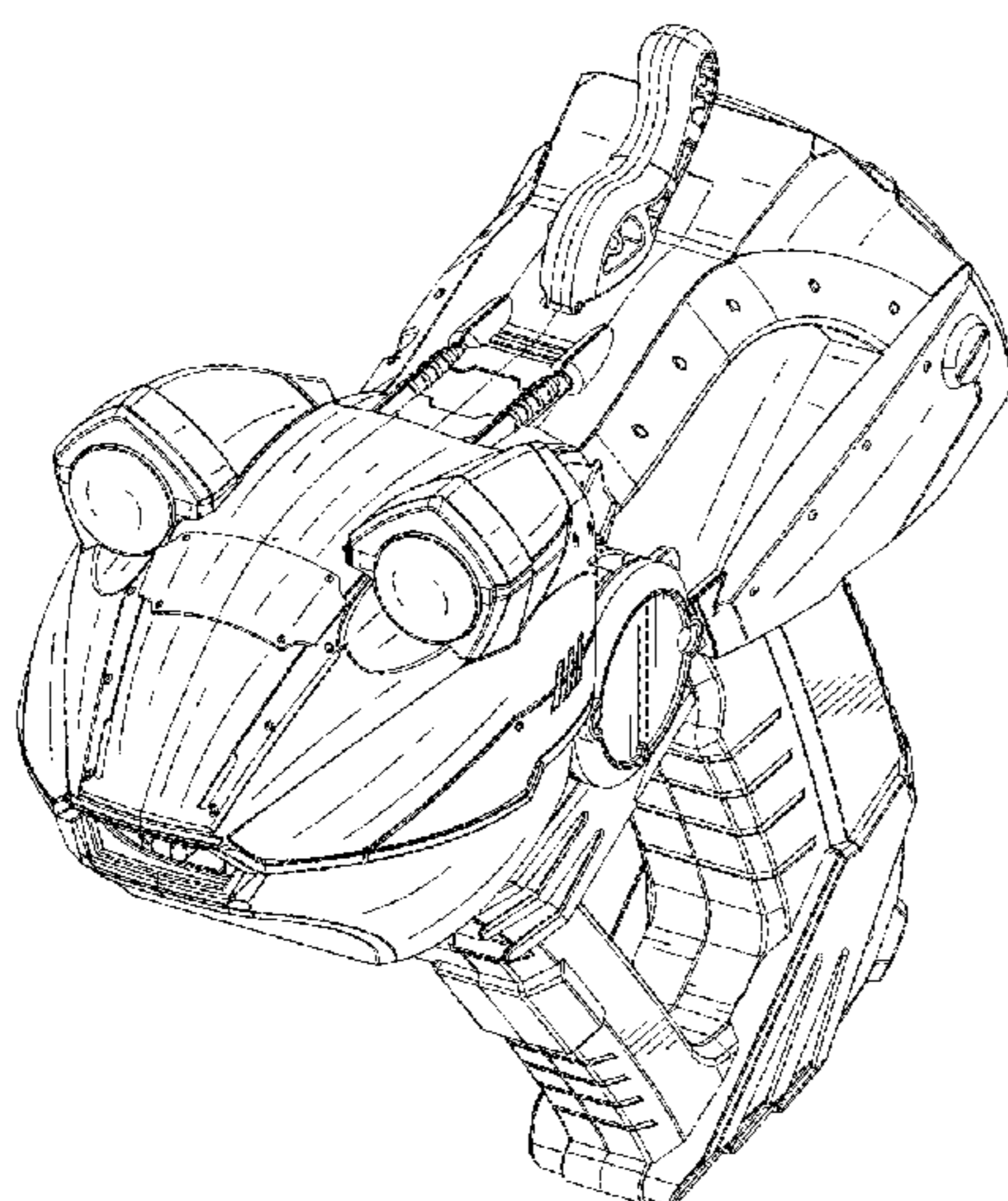
The ornamental design for a toy gun, as shown and described.

DESCRIPTION

FIG. 1 is a perspective view of a first aspect of a toy gun;
FIG. 2 is another perspective view thereof;
FIG. 3 is a front view thereof;
FIG. 4 is a rear view thereof;
FIG. 5 is a top view thereof;
FIG. 6 is a bottom view thereof;
FIG. 7 is a right side view thereof;
FIG. 8 is a left side view thereof;
FIG. 9 is a perspective view of the second aspect of the toy gun in an alternate configuration;
FIG. 10 is a front view of the second aspect of the toy gun thereof;
FIG. 11 is a rear view of the second aspect of the toy gun thereof;
FIG. 12 is a top view of the second aspect of the toy gun thereof;
FIG. 13 is a bottom side view of the second aspect of the toy gun thereof;
FIG. 14 is a right side view of the second aspect of the toy gun thereof; and,
FIG. 15 is a left side view of the second aspect of the toy gun thereof.

The toy gun can be changed from the first aspect into the second aspect as shown with an attachable part.

1 Claim, 8 Drawing Sheets



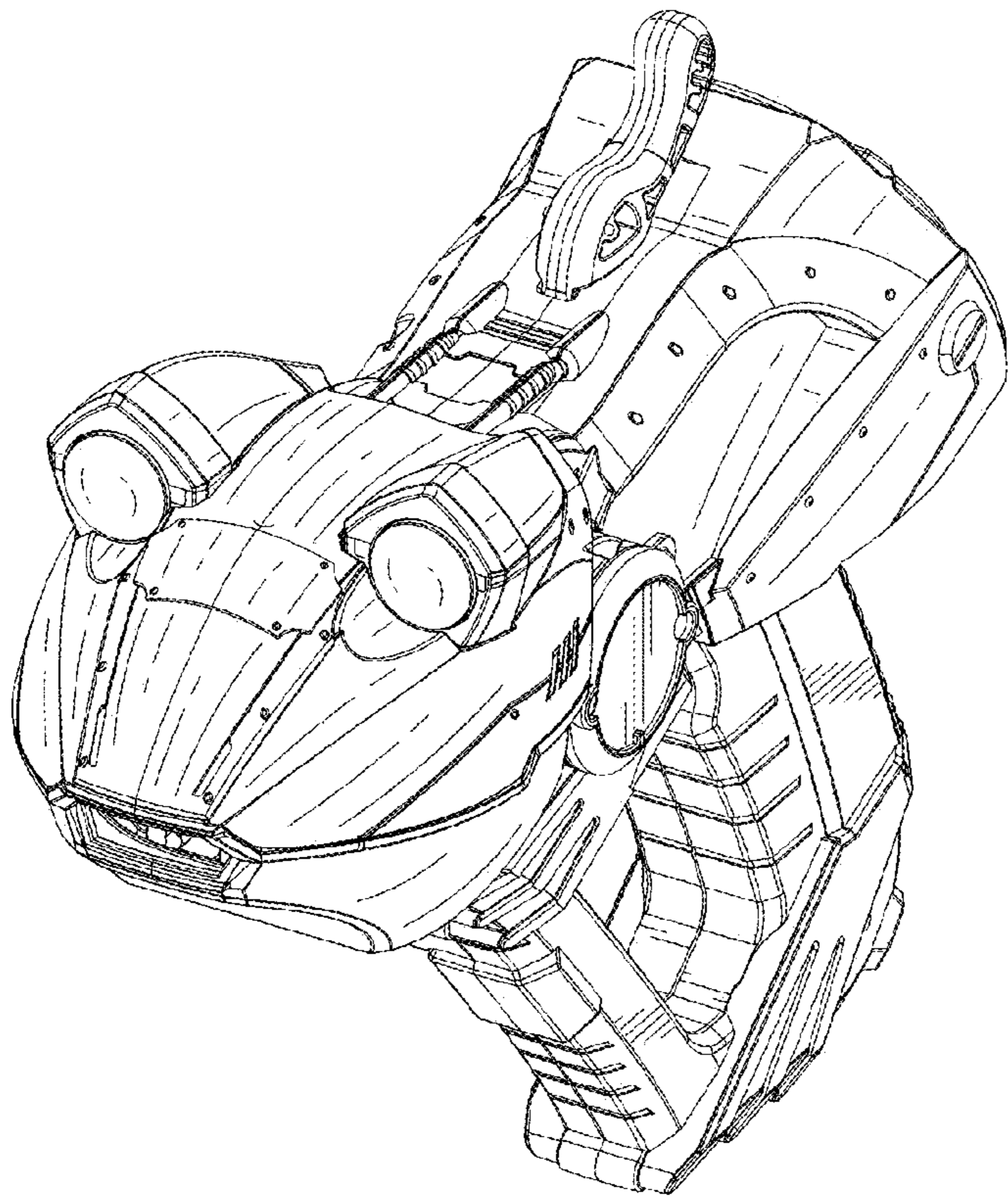


FIG. 1

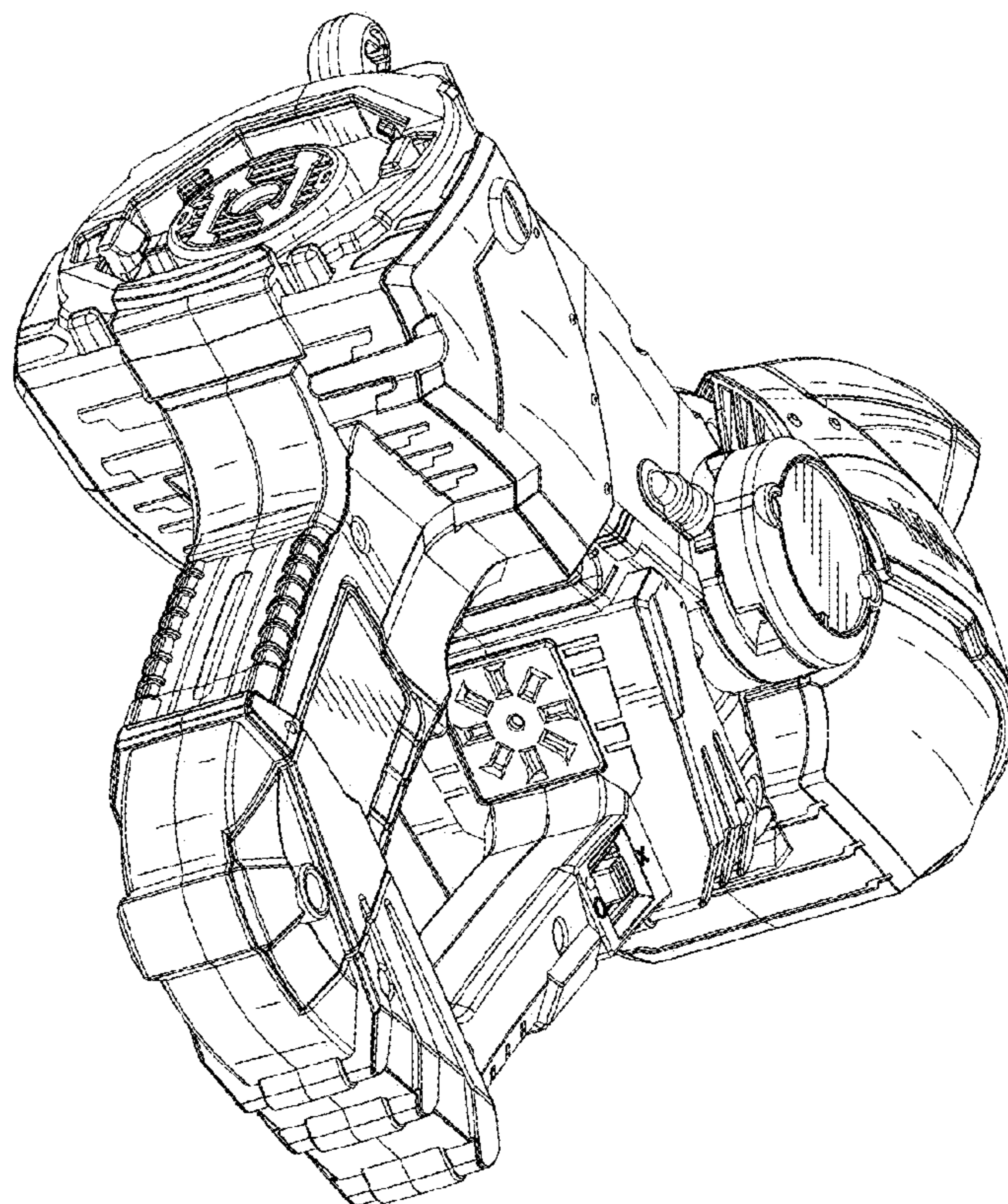


FIG. 2

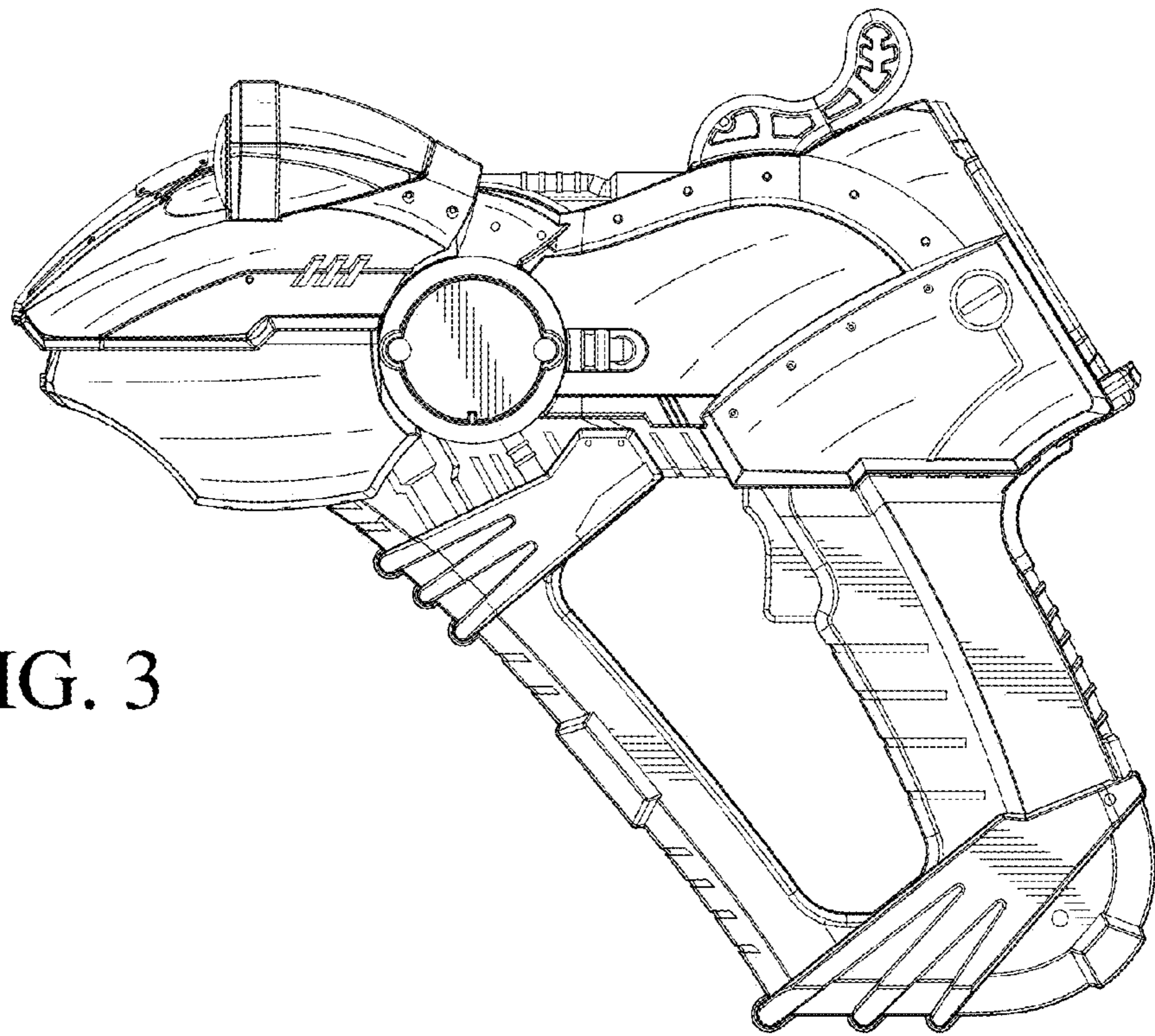


FIG. 3

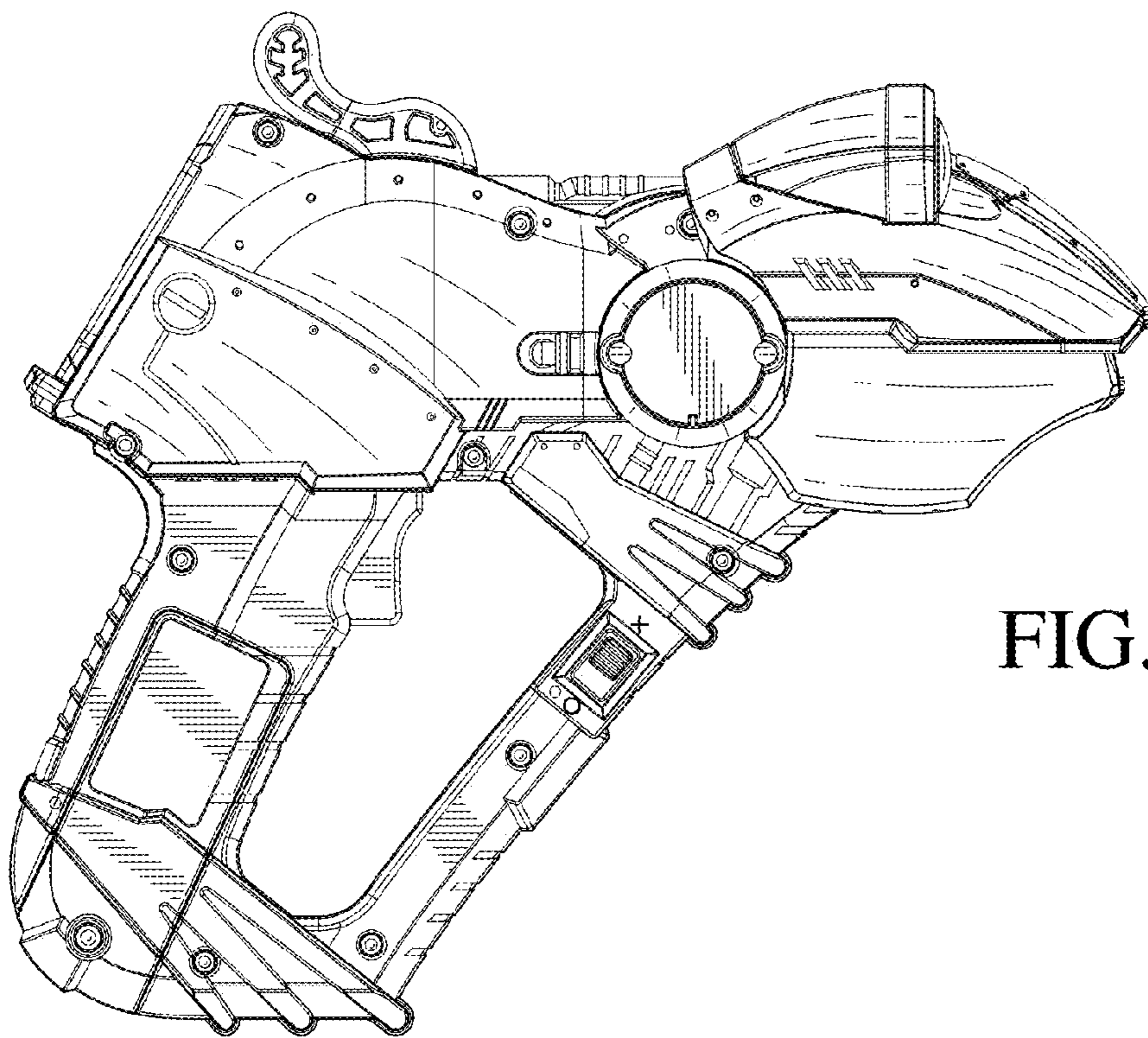


FIG. 4

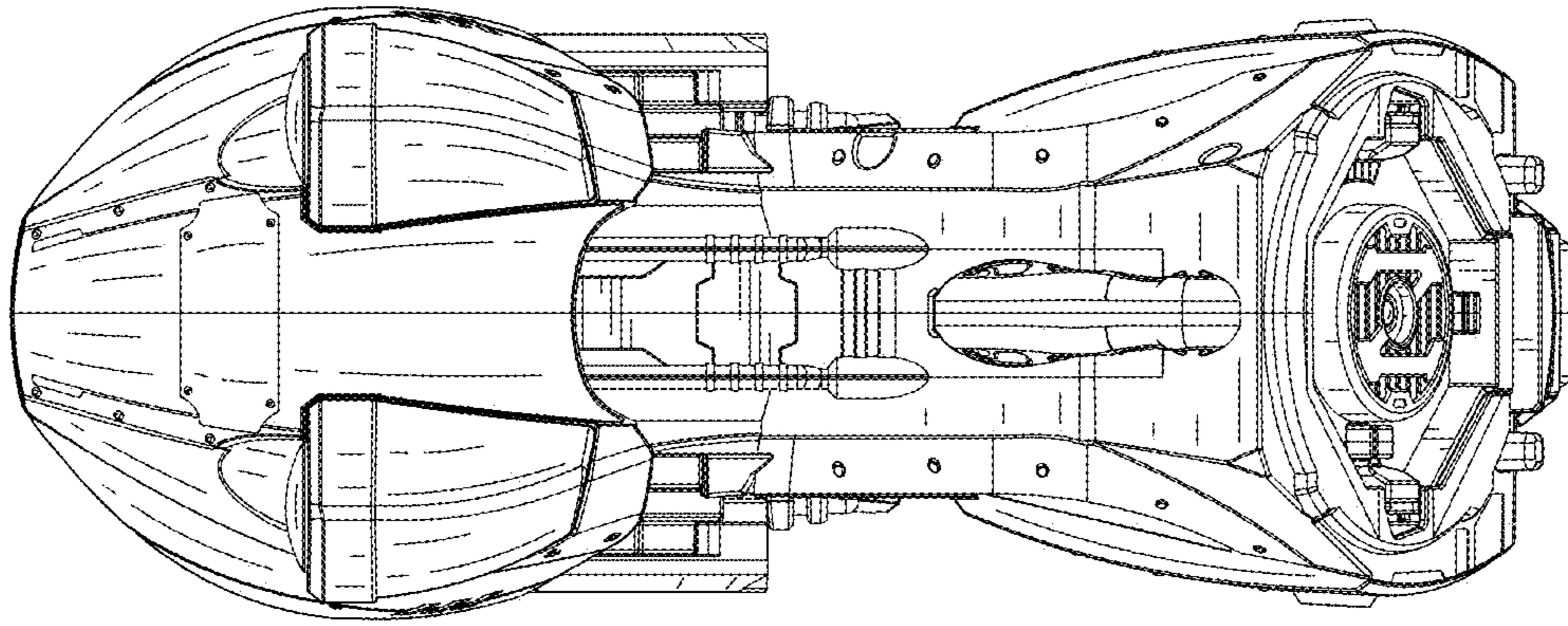


FIG. 5

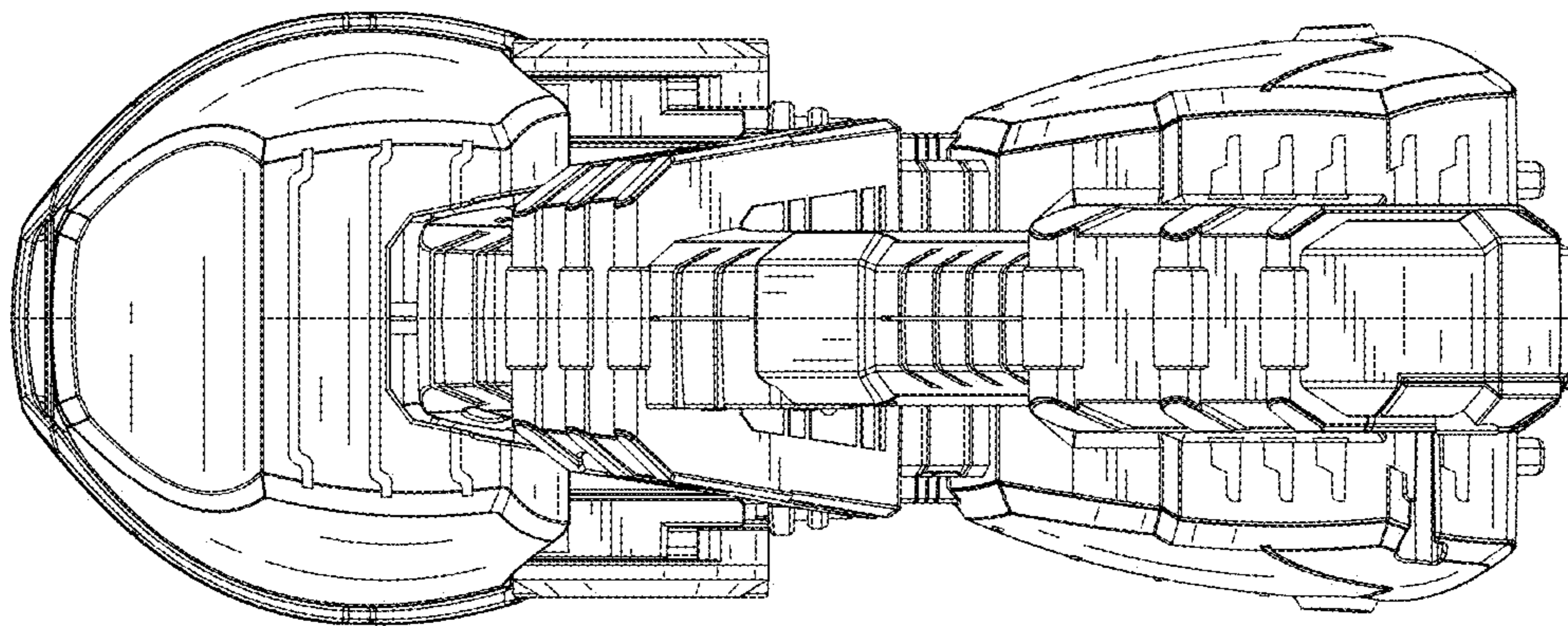


FIG. 6

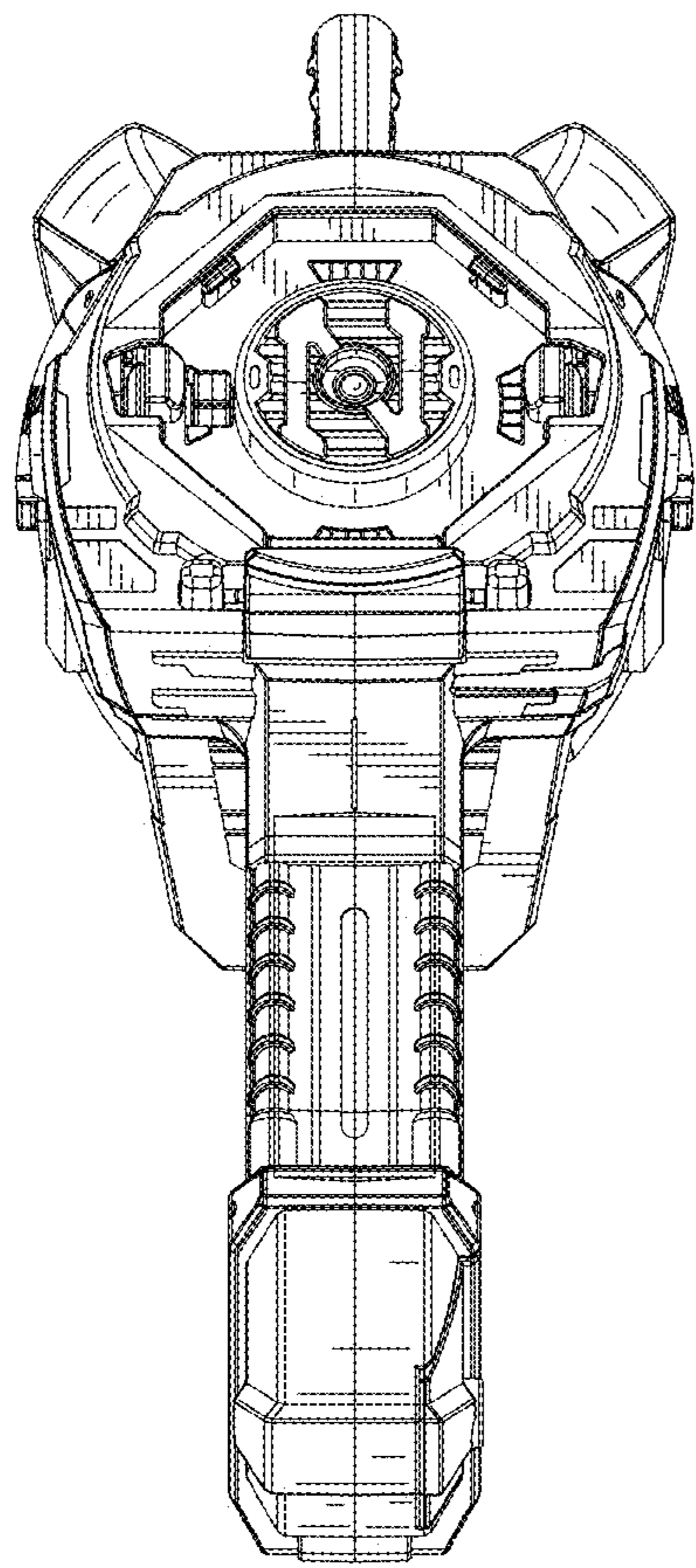


FIG. 7

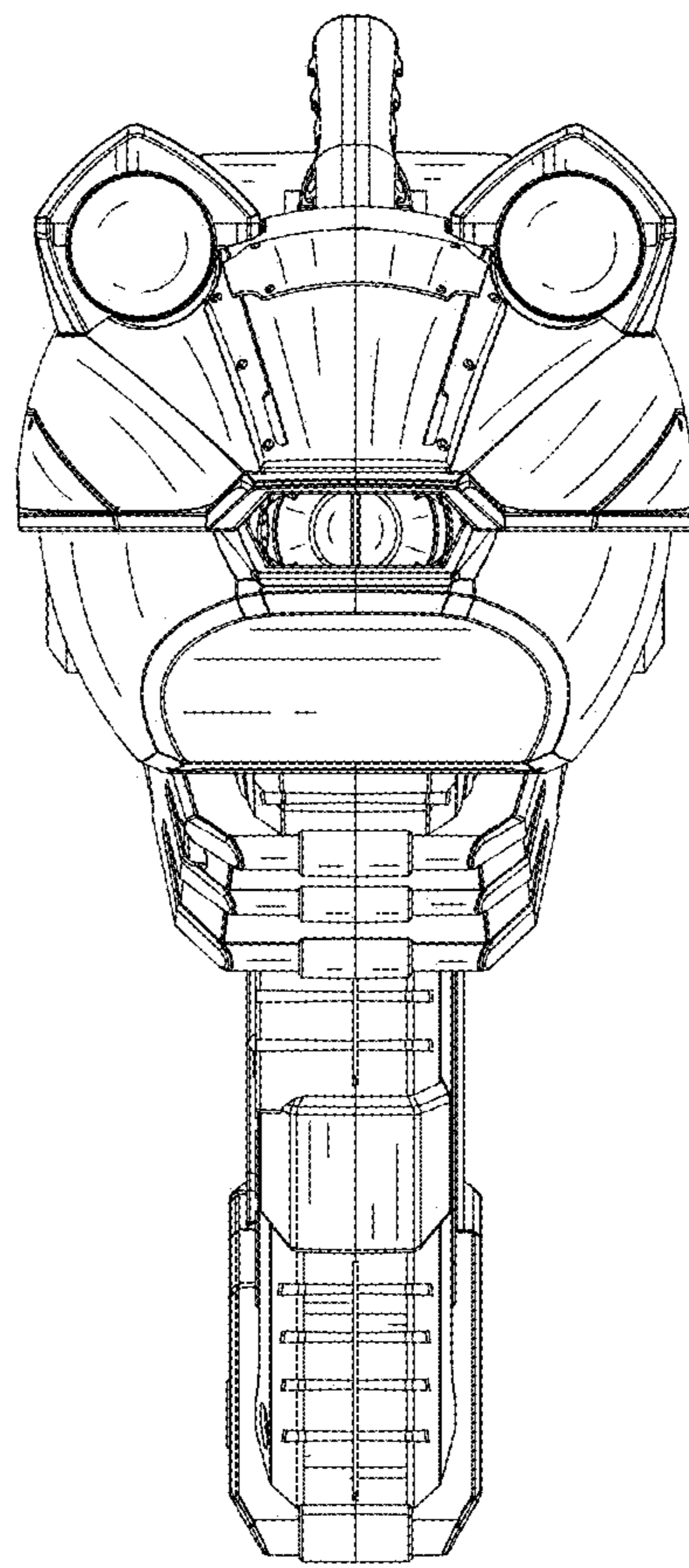


FIG. 8

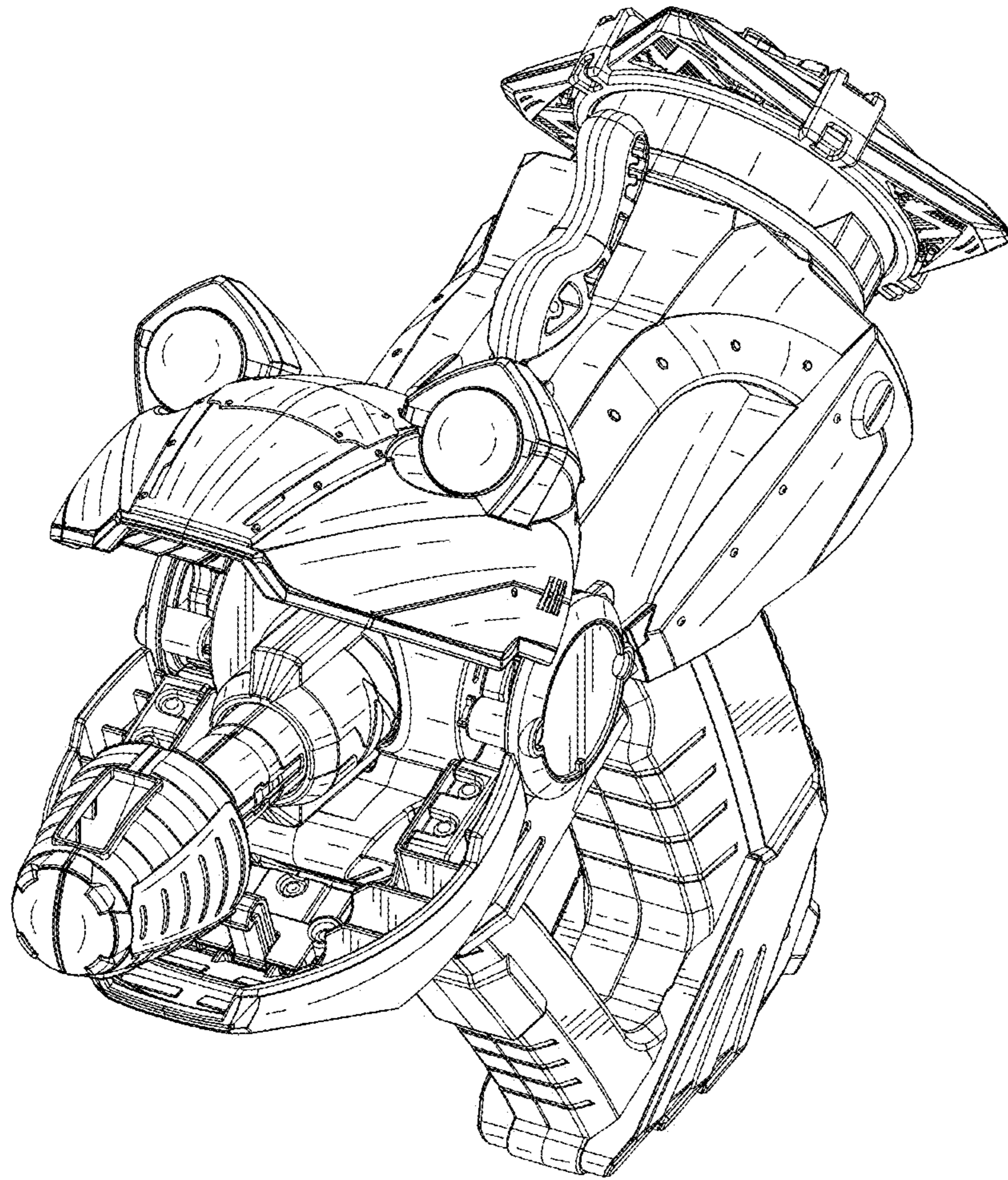


FIG. 9

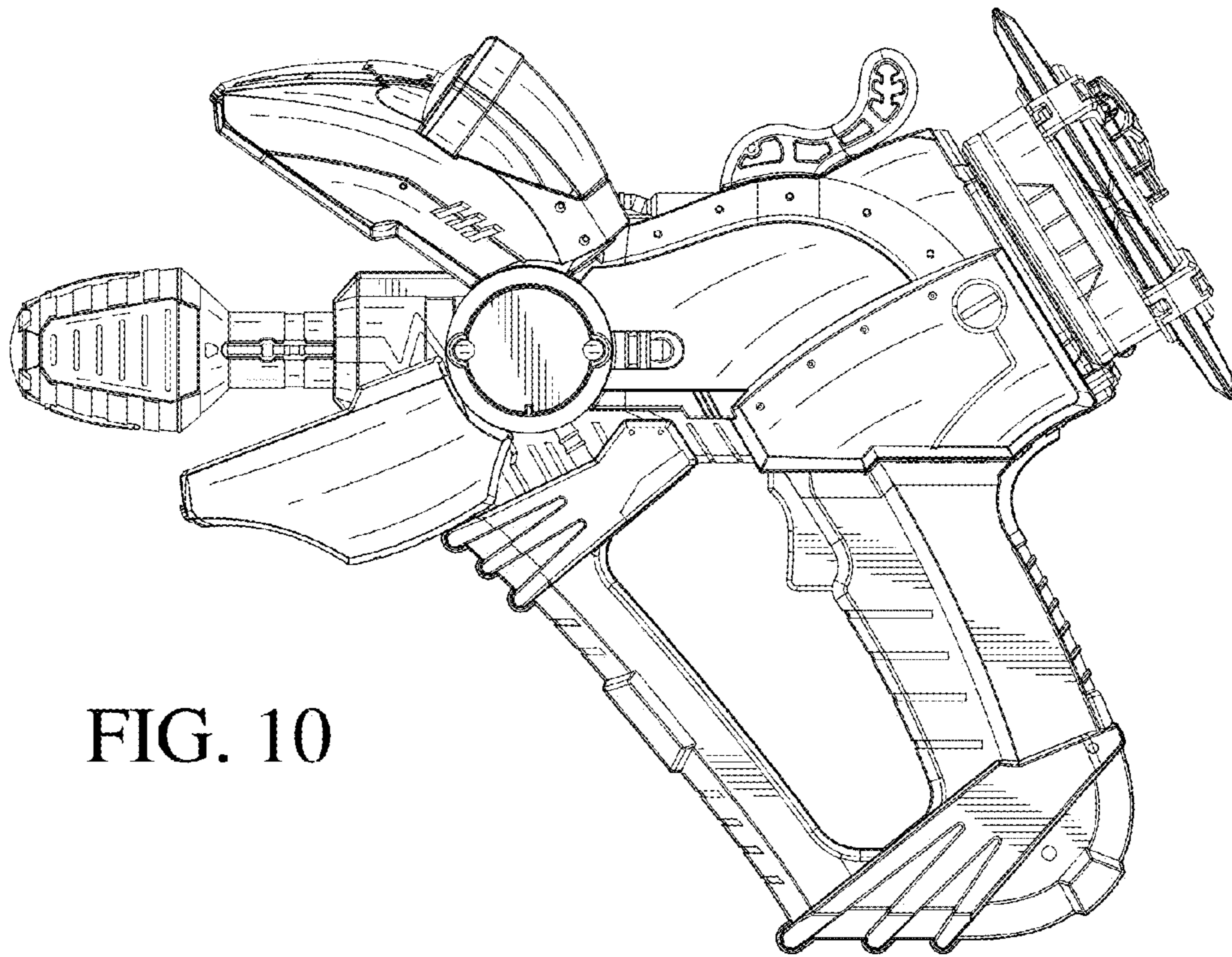


FIG. 10

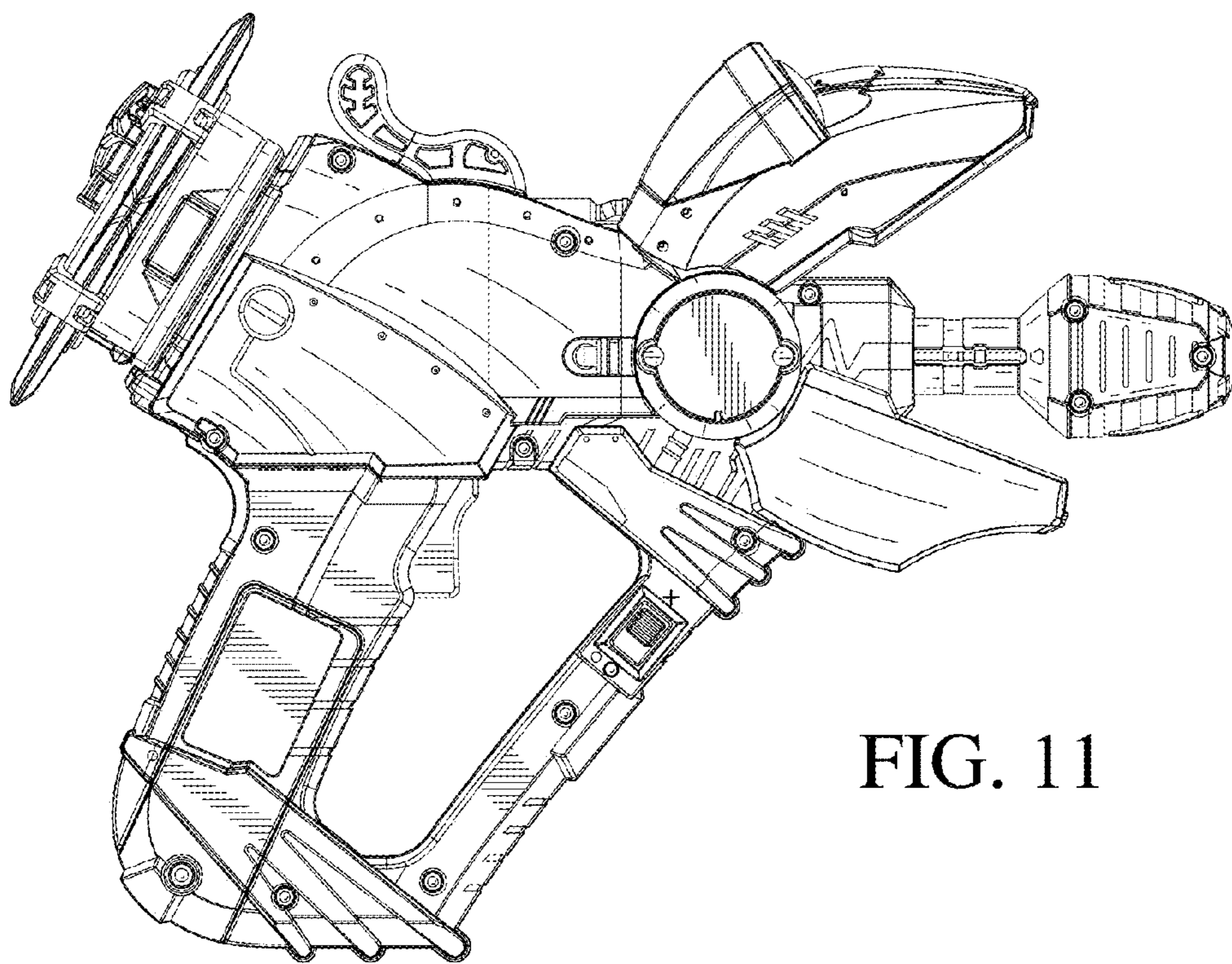


FIG. 11

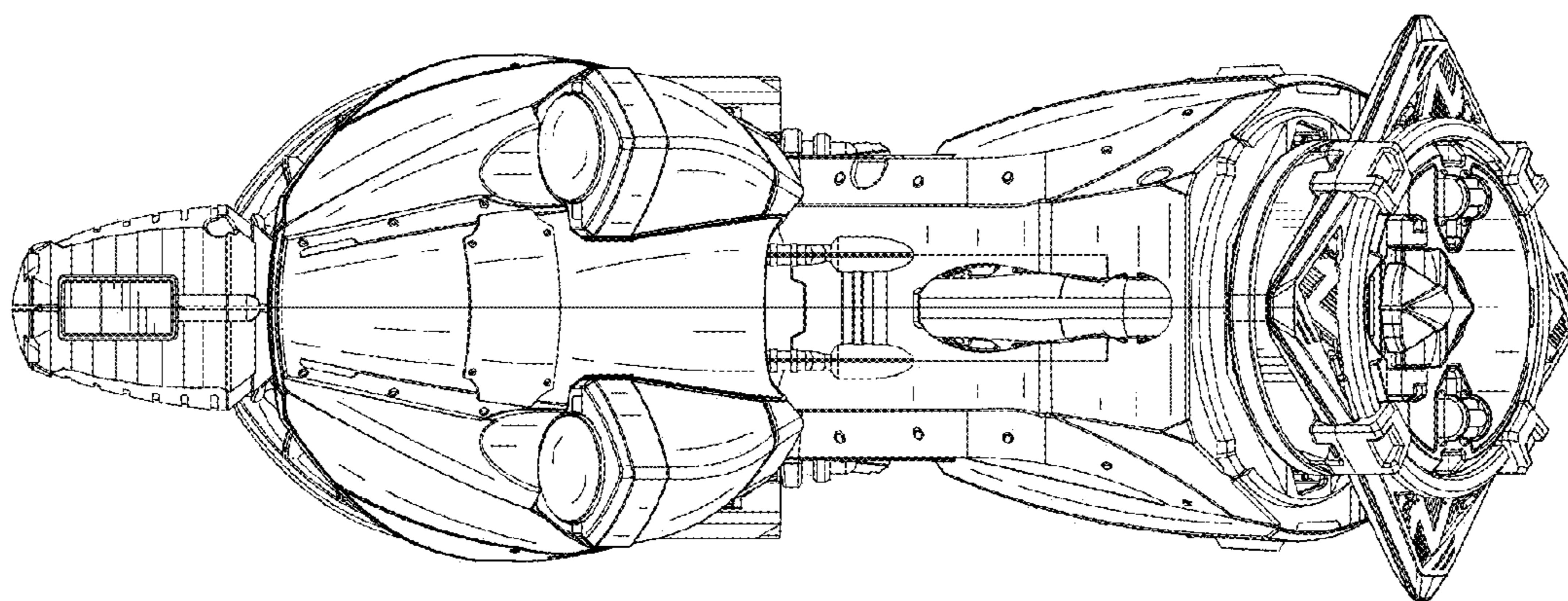


FIG. 12

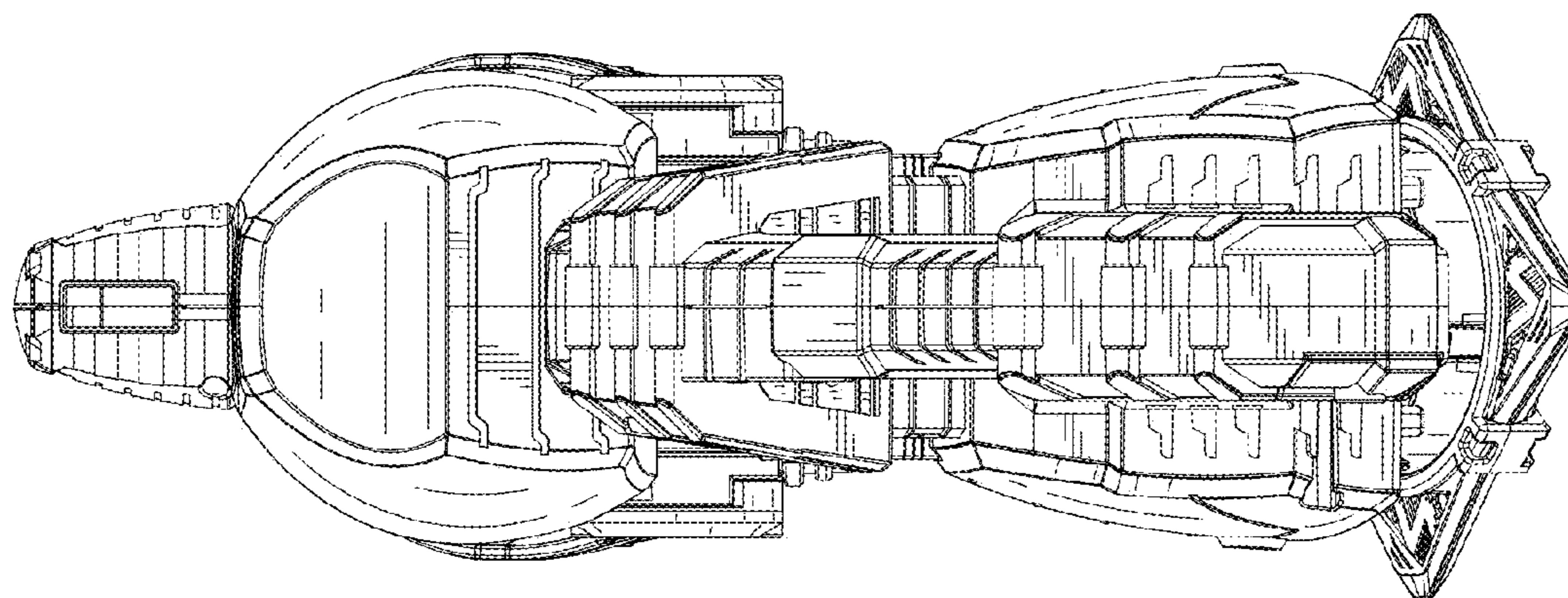


FIG. 13

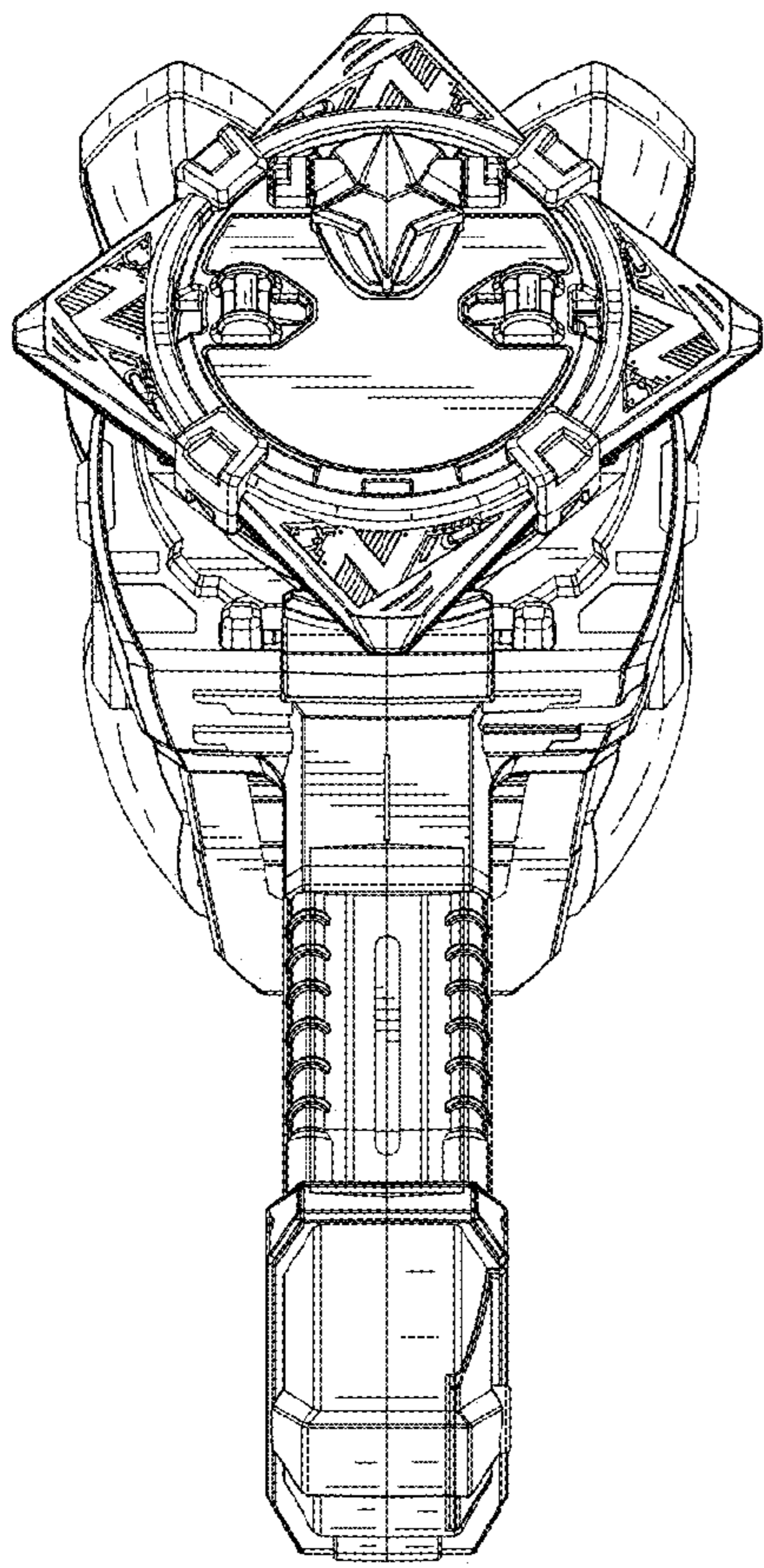


FIG. 14

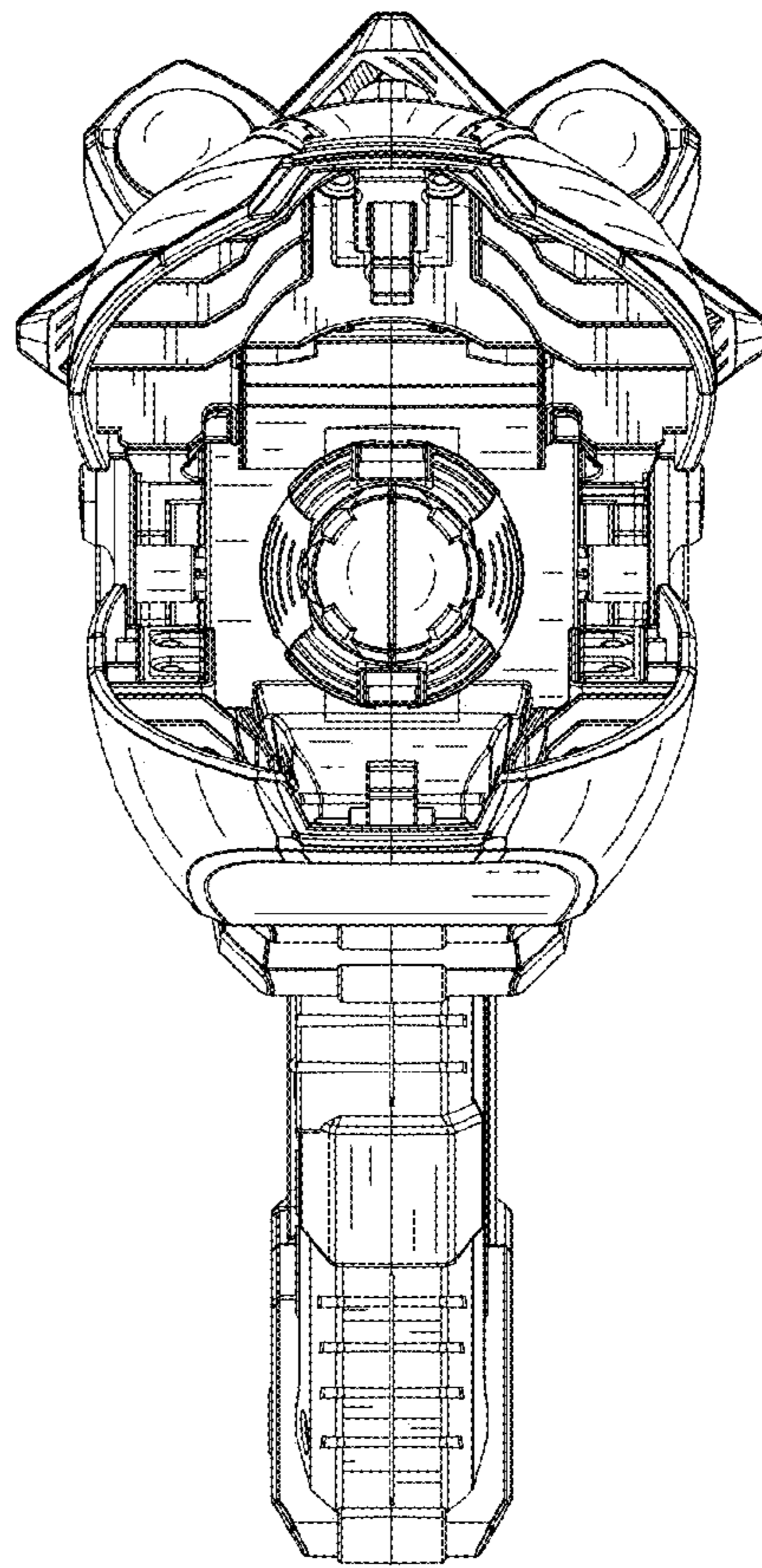


FIG. 15