



US00D762782S

(12) **United States Design Patent**  
**Walker, II et al.**

(10) **Patent No.:** **US D762,782 S**  
(45) **Date of Patent:** **\*\* Aug. 2, 2016**

(54) **ERGONOMIC CONTROLLER THUMBSTICK**

(71) Applicants: **Don Byron Walker, II**, Atlanta, GA (US); **Ashish Mistry**, Atlanta, GA (US); **Brandon Michael Turney**, Atlanta, GA (US)

(72) Inventors: **Don Byron Walker, II**, Atlanta, GA (US); **Ashish Mistry**, Atlanta, GA (US); **Brandon Michael Turney**, Atlanta, GA (US)

(73) Assignee: **KontrolFreek, LLC**, Atlanta, GA (US)

(\*\*) Term: **15 Years**

(21) Appl. No.: **29/543,760**

(22) Filed: **Oct. 28, 2015**

(51) **LOC (10) Cl.** ..... **21-01**

(52) **U.S. Cl.**  
USPC ..... **D21/333**; D14/401

(58) **Field of Classification Search**  
USPC ..... D14/399-401, 412-418; 273/148 B; 463/1, 29-39, 46, 47; 345/156-161, 345/905; D21/333, 328  
CPC ..... A63F 13/02; A63F 9/24; A63F 13/12; A63F 9/00; A63F 11/00; A63F 71/00; G06F 3/02; G06F 3/033; G09G 5/00  
See application file for complete search history.

(56) **References Cited**

**U.S. PATENT DOCUMENTS**

5,046,739 A \* 9/1991 Reichow ..... A63F 13/02  
273/148 B  
5,501,458 A \* 3/1996 Mallory ..... A63F 13/08  
273/148 B

D396,495 S \* 7/1998 Hirokane ..... D21/385  
6,932,341 B1 \* 8/2005 Kenyon ..... A63F 13/02  
273/148 B  
D521,567 S \* 5/2006 Svendsen ..... D14/401  
D534,962 S \* 1/2007 Svendsen ..... D14/401  
D570,854 S \* 6/2008 Harris ..... D14/454  
D578,167 S \* 10/2008 Harris ..... D14/401  
D587,717 S \* 3/2009 Harris ..... D14/454  
7,762,553 B2 \* 7/2010 Harris ..... A63F 13/02  
273/148 B  
D719,165 S \* 12/2014 Hill ..... D14/412  
D752,152 S \* 3/2016 Kissoon ..... D21/333

\* cited by examiner

*Primary Examiner* — Prabhakar Deshmukh

(74) *Attorney, Agent, or Firm* — Schoenthaler Law Group

(57) **CLAIM**

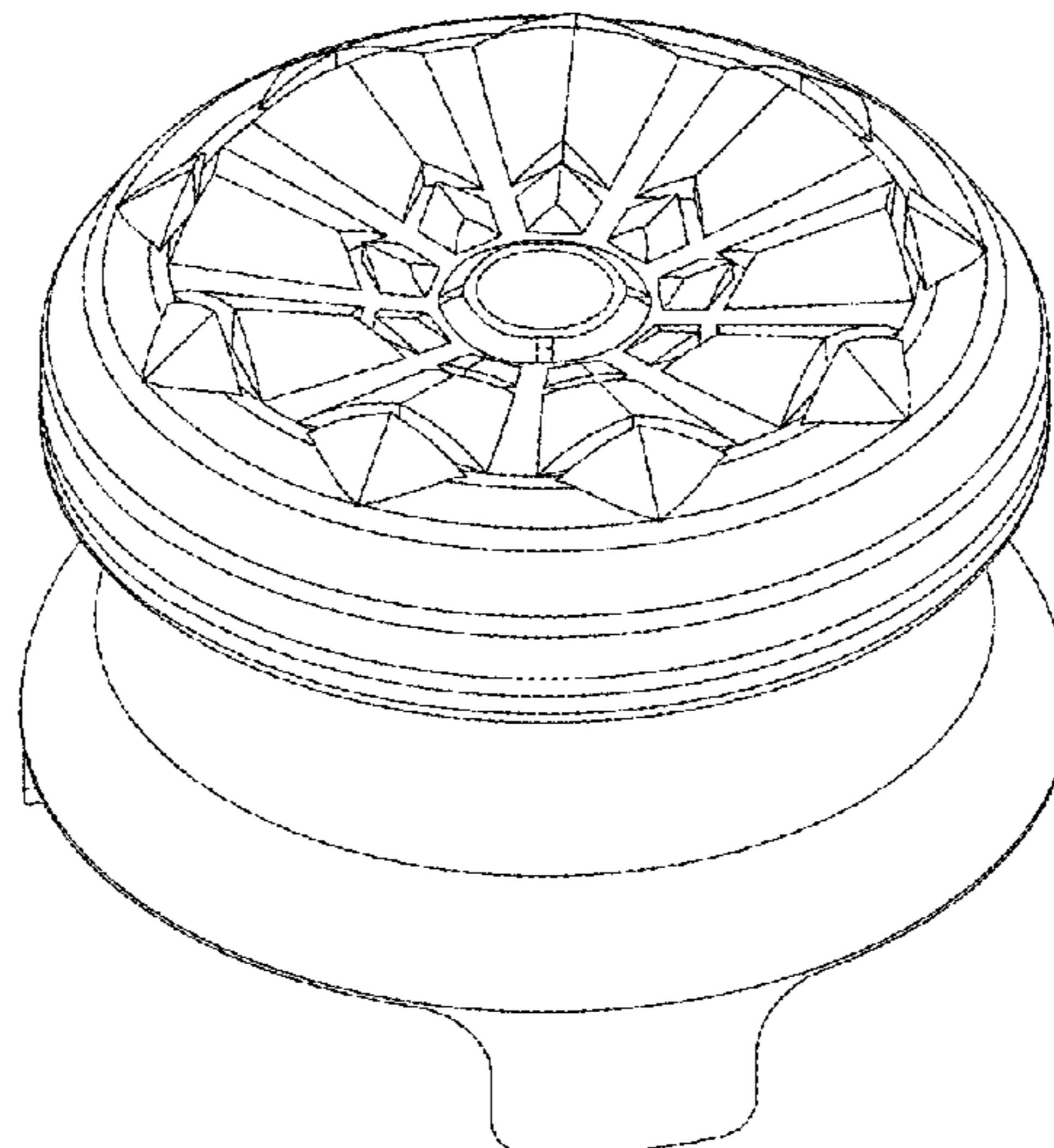
The ornamental design for an ergonomic controller thumbstick, as shown and described.

**DESCRIPTION**

FIG. 1 is a front perspective view of an ergonomic controller thumbstick showing our new design;  
FIG. 2 is a bottom perspective view thereof;  
FIG. 3 is another bottom perspective view thereof;  
FIG. 4 is a top plan view thereof;  
FIG. 5 is a bottom plan view thereof;  
FIG. 6 is a side elevational view thereof;  
FIG. 7 is another side elevational view thereof; and,  
FIG. 8 is a sectional view thereof, taken along line 8-8 of FIG. 4.

The broken line showing of an image depicted in FIGS. 1-8 is for the purpose of illustrating environmental structure and forms no part of the claimed design.

**1 Claim, 3 Drawing Sheets**



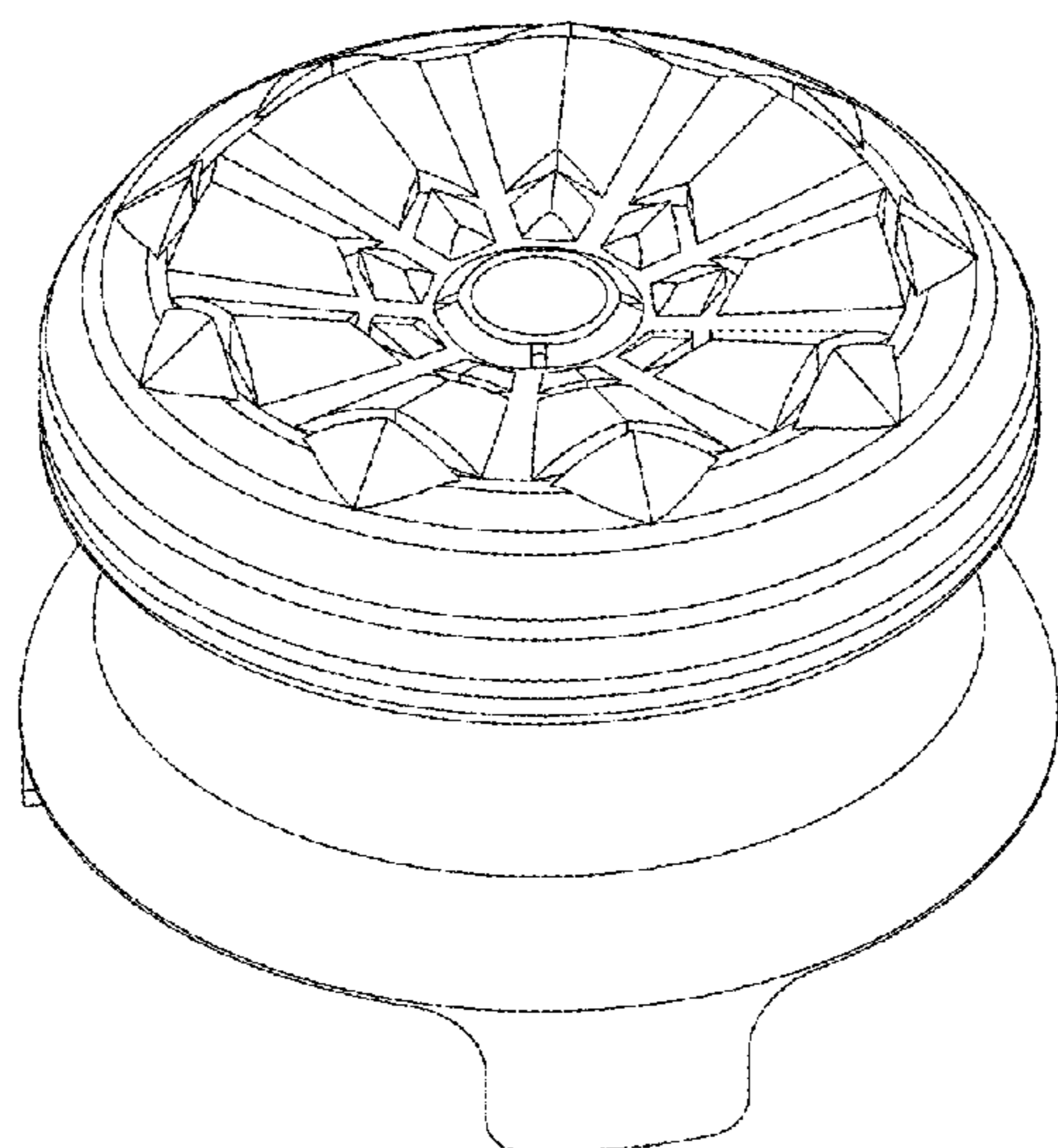


FIG. 1

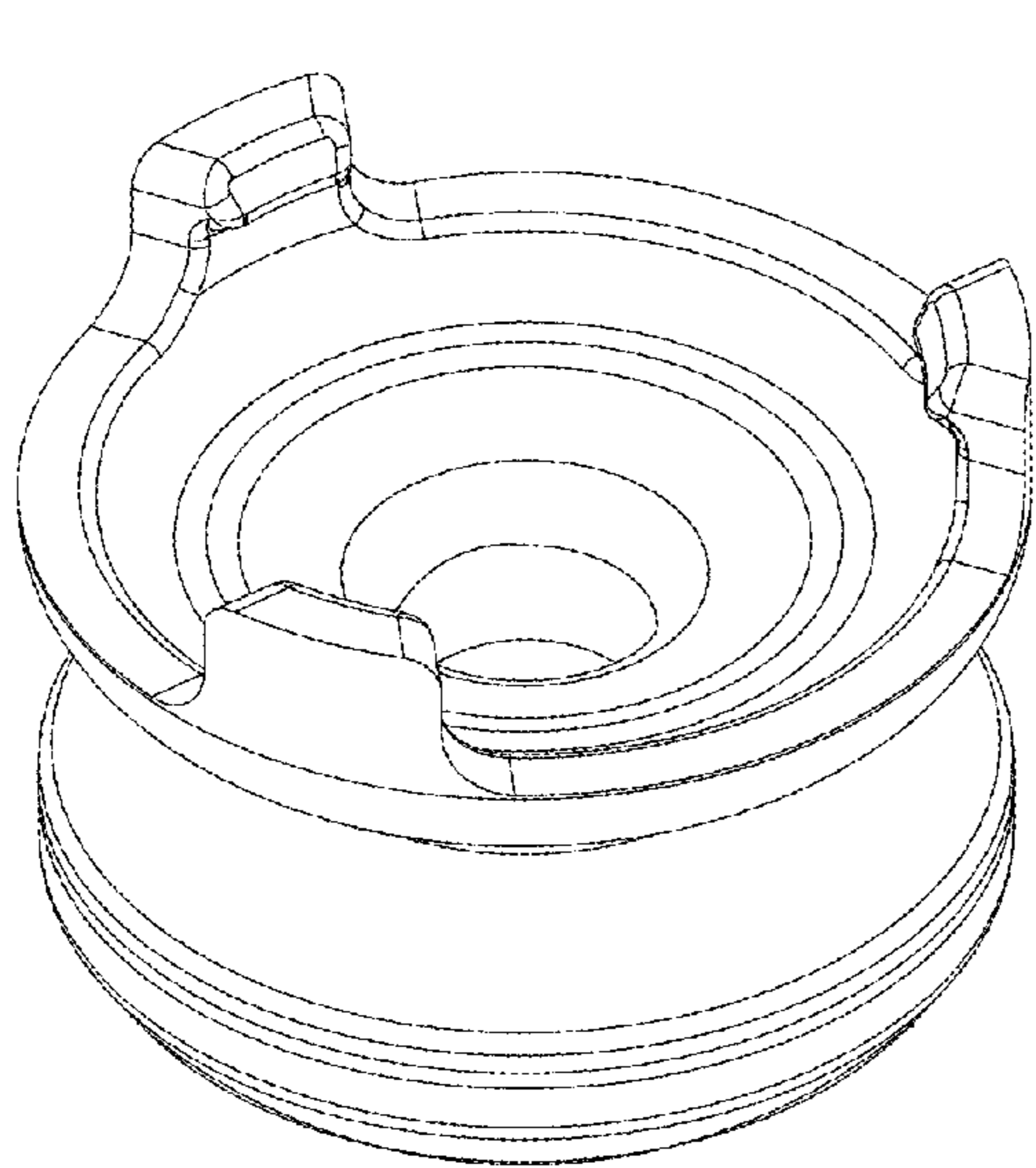


FIG. 2

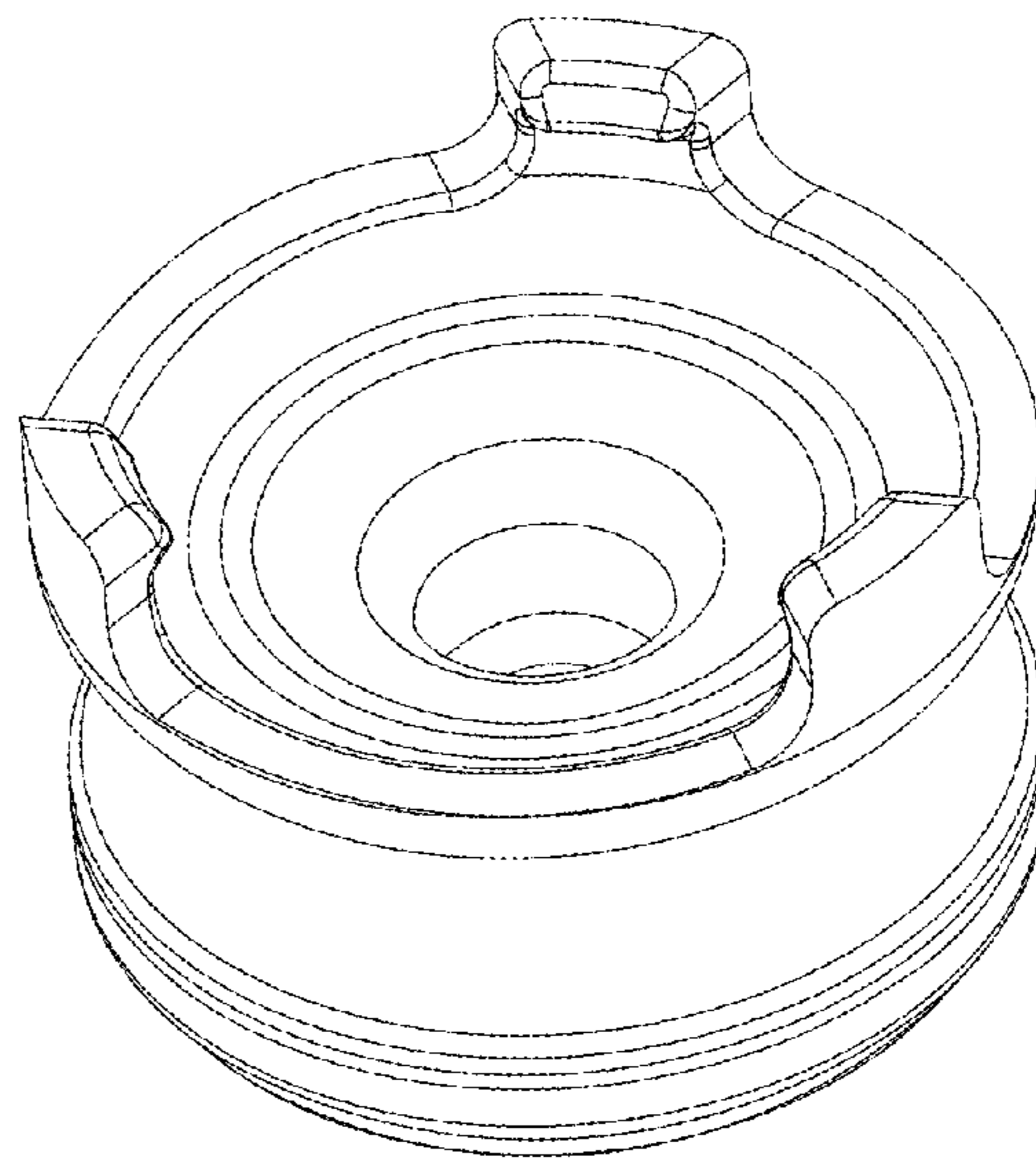
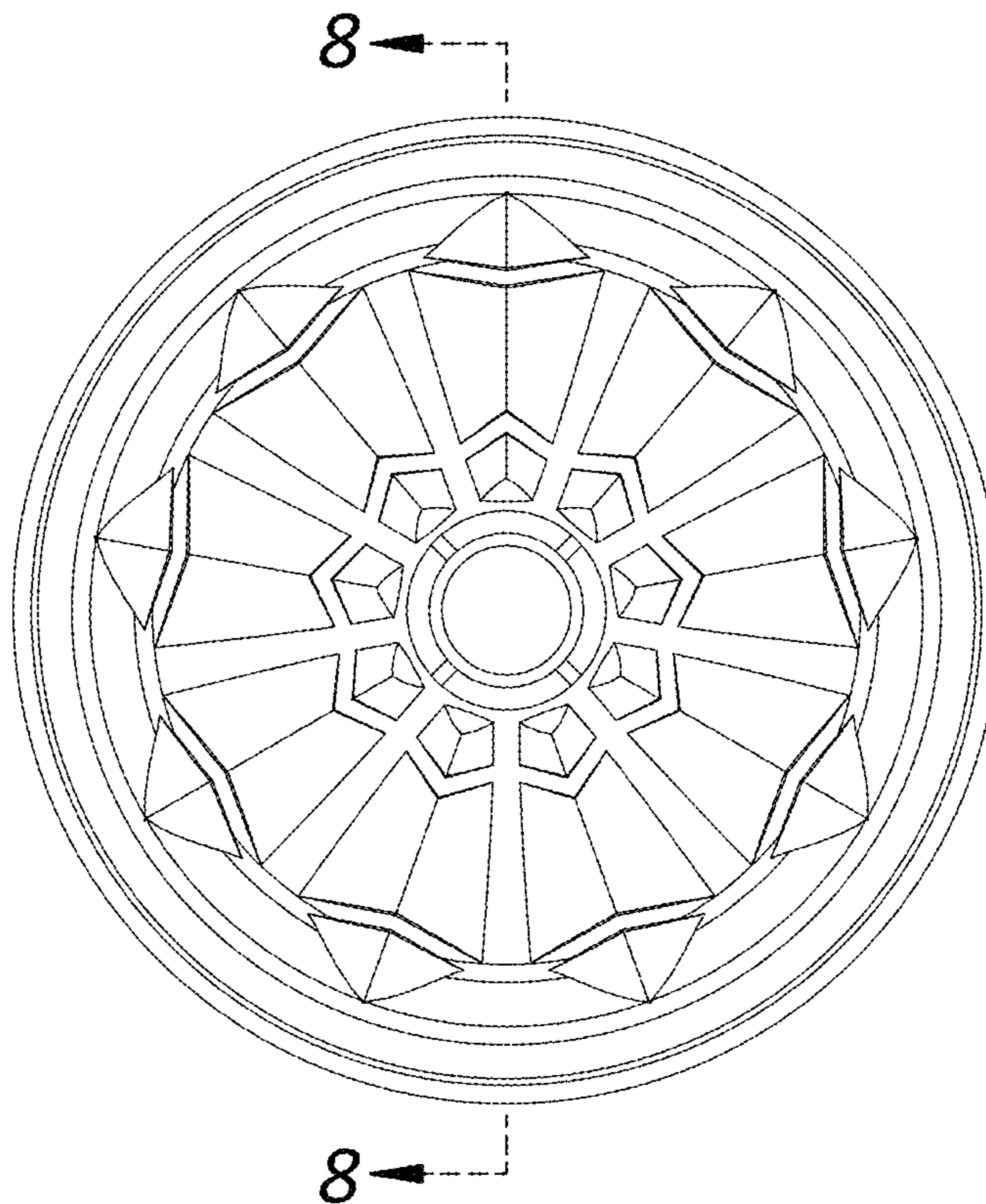
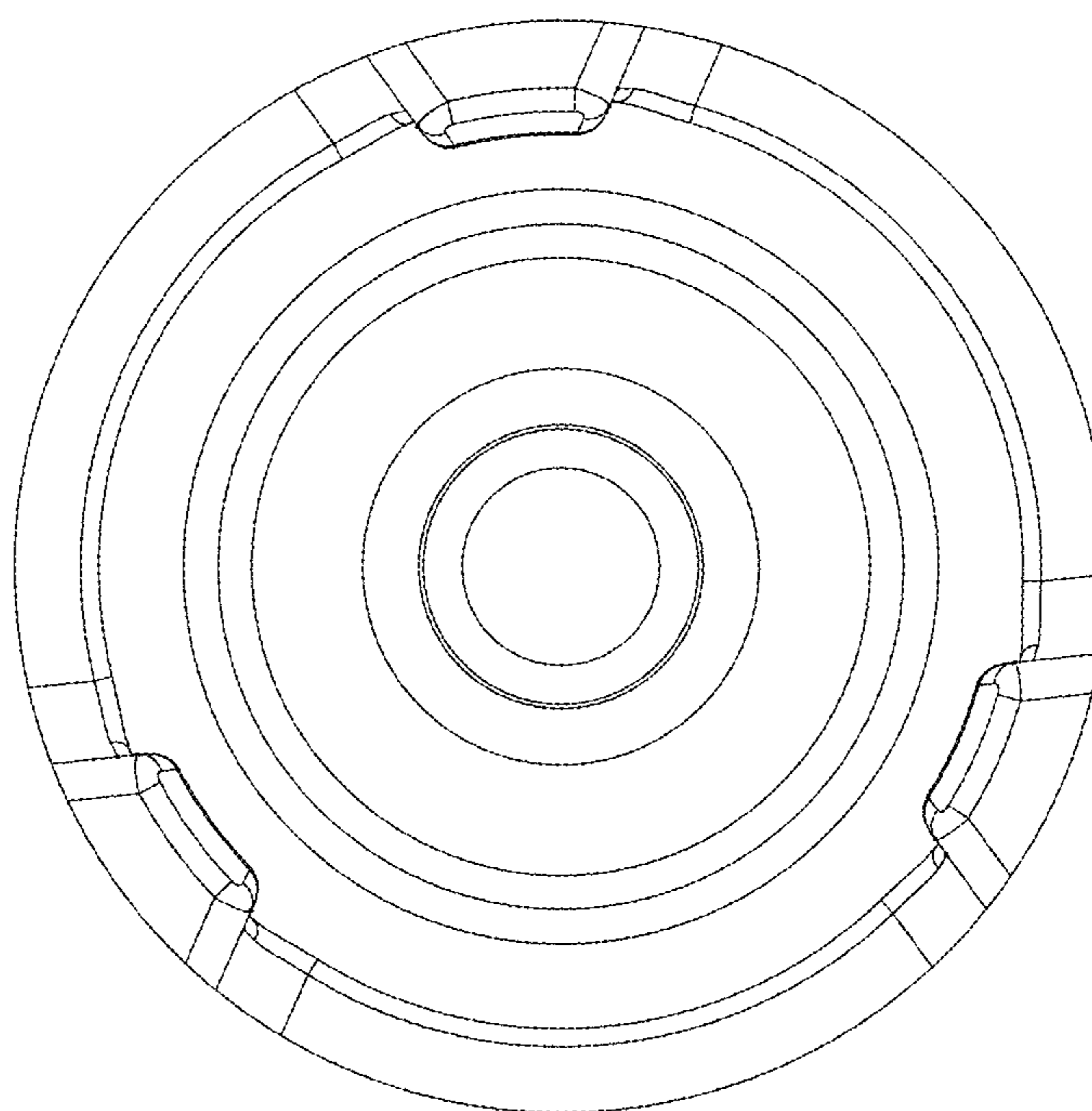


FIG. 3

**FIG. 4**

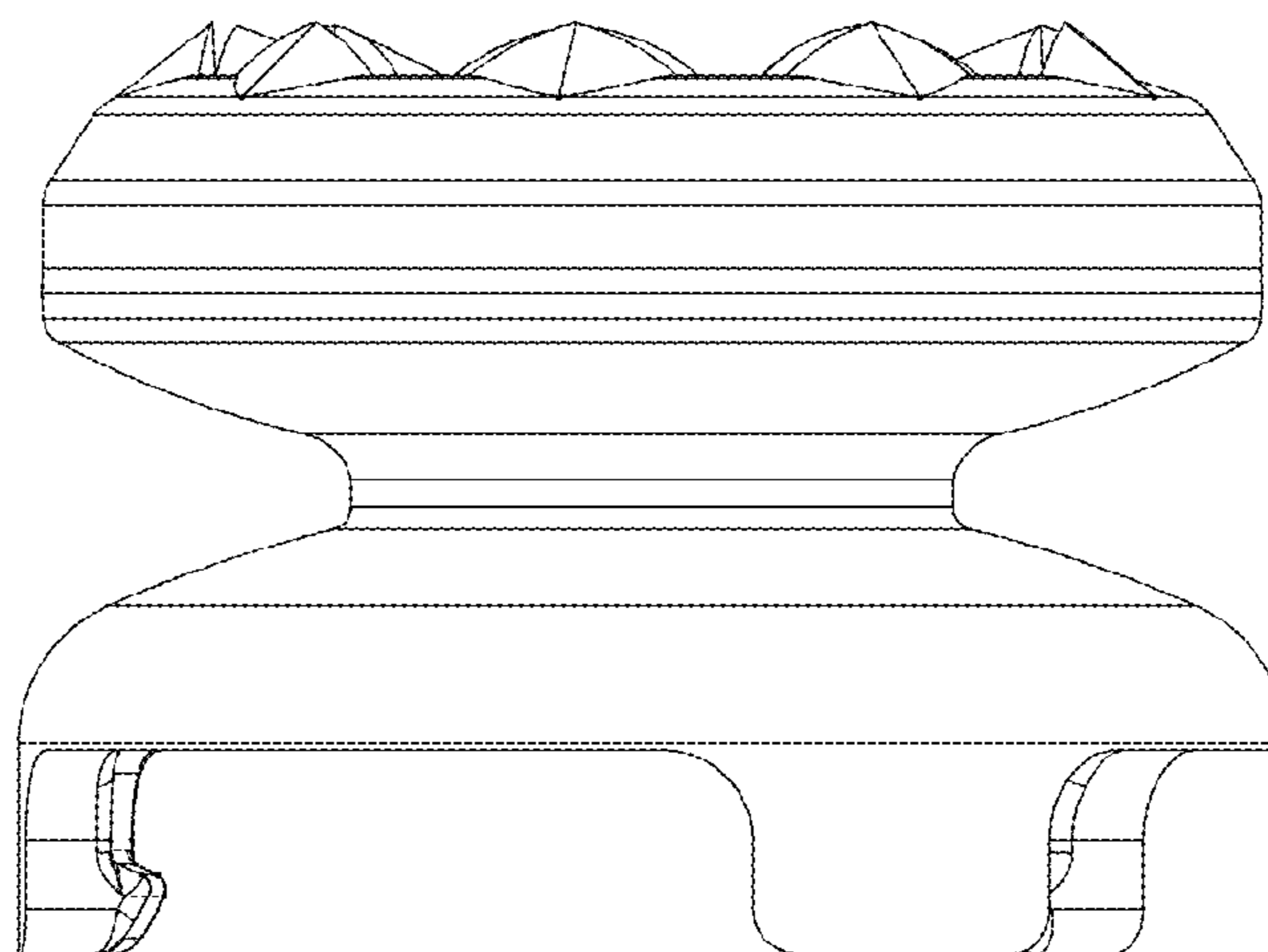


**FIG. 5**

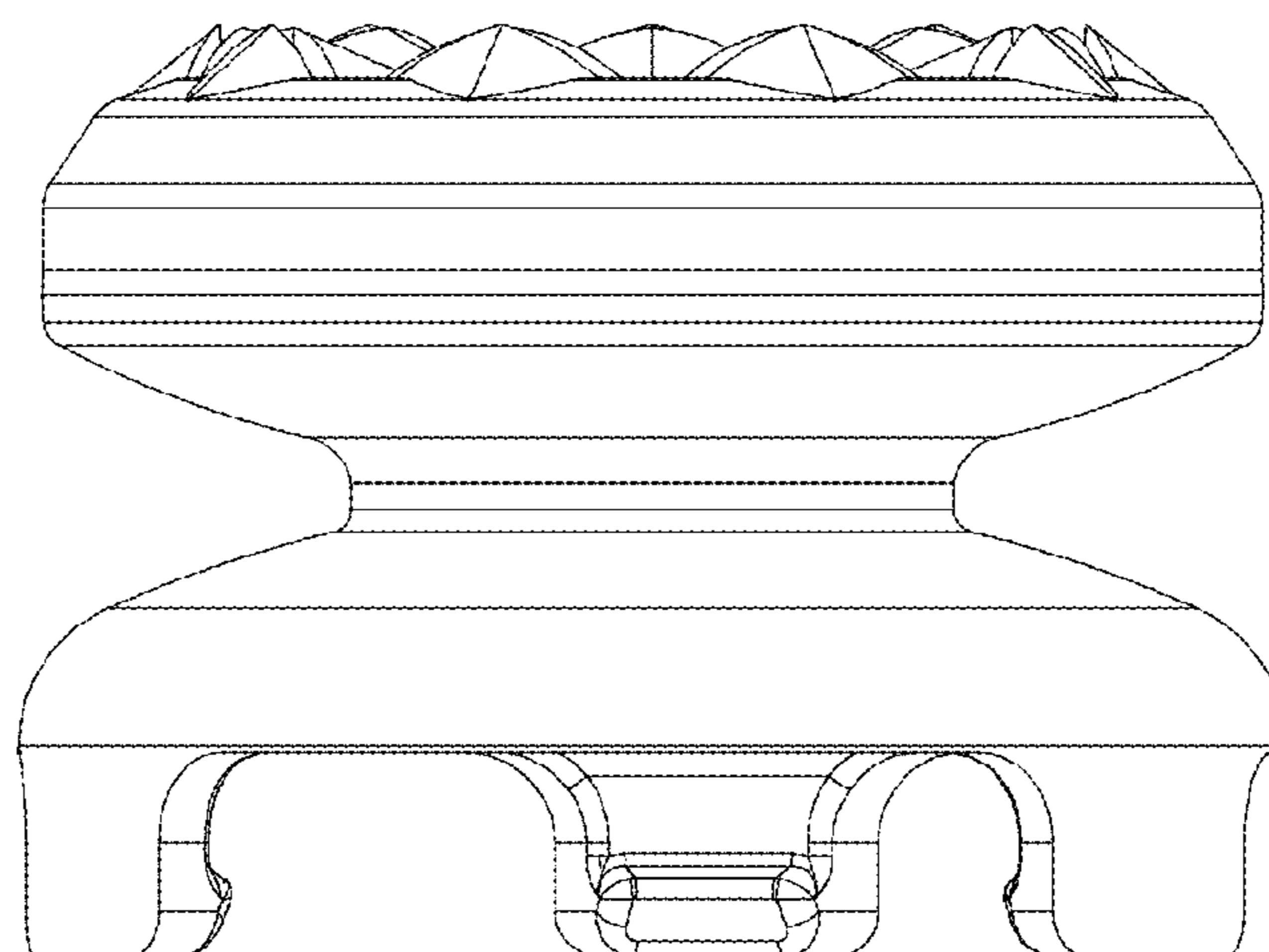




**FIG. 6**



**FIG. 7**



**FIG. 8**

