

US00D762780S

(12) **United States Design Patent**
Mistry et al.

(10) **Patent No.:** **US D762,780 S**
(45) **Date of Patent:** **** Aug. 2, 2016**

(54) **GAME CONTROLLER THUMBSTICK COVER**
(71) Applicant: **KontrolFreek, LLC**, Atlanta, GA (US)
(72) Inventors: **Ashish Mistry**, Atlanta, GA (US);
Brandon Turney, Kennesaw, GA (US);
Donnie Walker, Muscle Shoals, AL (US)
(73) Assignee: **KontrolFreek, LLC**, Atlanta, GA (US)
(**) Term: **15 Years**

5,501,458 A * 3/1996 Mallory A63F 13/08
273/148 B
D396,495 S * 7/1998 Hirokane D21/385
6,932,341 B1 * 8/2005 Kenyon A63F 13/02
273/148 B
D521,567 S * 5/2006 Svendsen D14/401
D534,962 S * 1/2007 Svendsen D14/401
D570,854 S * 6/2008 Harris D14/454
D578,167 S * 10/2008 Harris D14/401
D587,717 S * 3/2009 Harris D14/454
7,762,553 B2 * 7/2010 Harris A63F 13/02
273/148 B
D719,165 S * 12/2014 Hill D14/412
D752,152 S * 3/2016 Kissoon D21/333

* cited by examiner

(21) Appl. No.: **29/531,921**
(22) Filed: **Jun. 30, 2015**
(51) **LOC (10) Cl.** **21-01**
(52) **U.S. Cl.**
USPC **D21/333; D14/401**
(58) **Field of Classification Search**
USPC D14/399-401, 412-418; 273/148 B;
463/1, 29-39, 46, 47; 345/156-161,
345/905; D21/333, 328
CPC A63F 13/02; A63F 9/24; A63F 13/12;
A63F 9/00; A63F 11/00; A63F 71/00; G06F
3/02; G06F 3/033; G09G 5/00
See application file for complete search history.

Primary Examiner — Prabhakar Deshmukh
(74) *Attorney, Agent, or Firm* — Schoenthaler Law Group

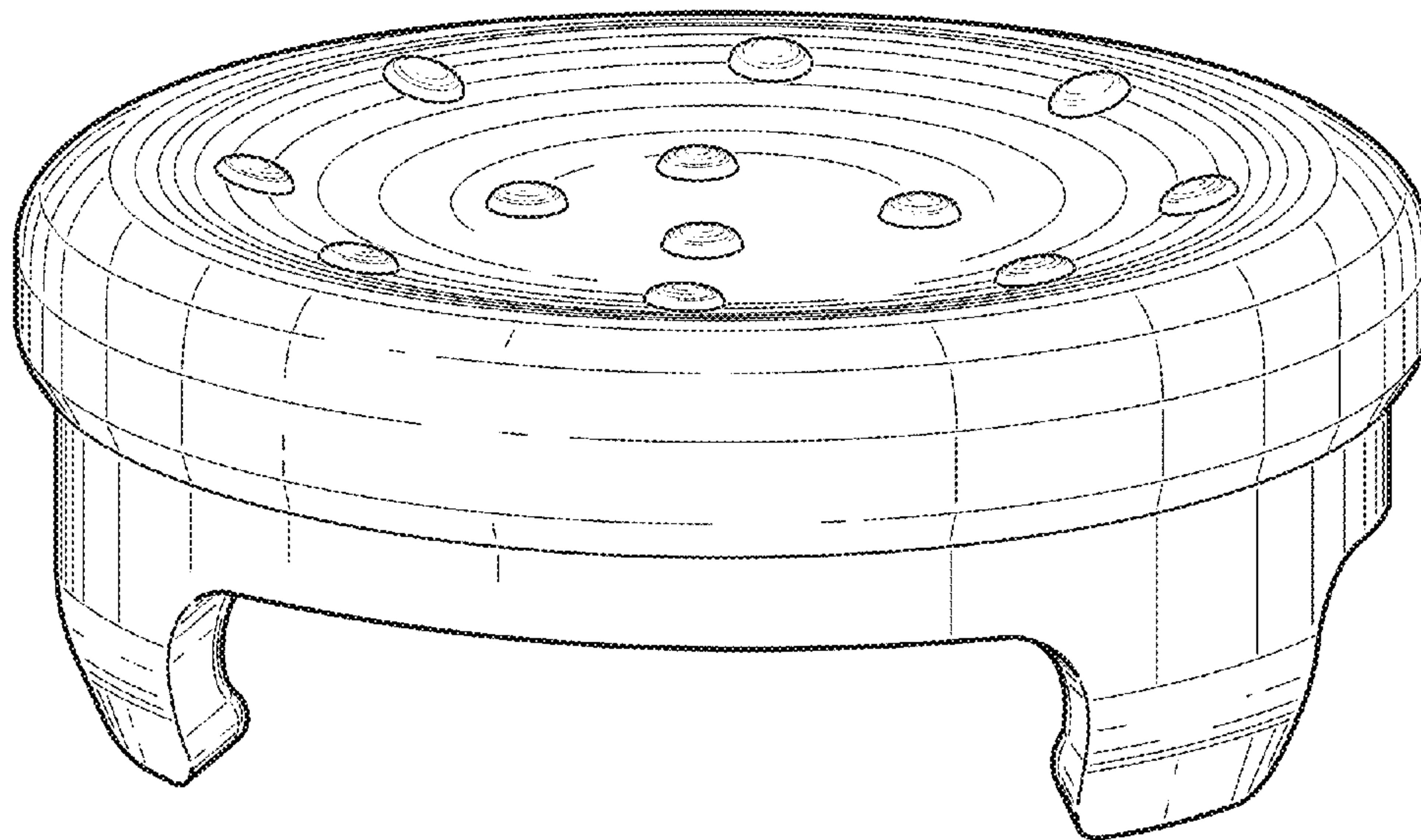
(57) **CLAIM**
The ornamental design of a game controller thumbstick cover, as shown and described.

DESCRIPTION

FIG. 1 is a perspective view showing my new game controller thumbstick cover;
FIG. 2 is a top view thereof;
FIG. 3 is bottom side view thereof;
FIG. 4 is a front side view thereof;
FIG. 5 is a rear side view thereof; and,
FIG. 6 is a left side view thereof, with the right side view being a mirror image of the left side view.

(56) **References Cited**
U.S. PATENT DOCUMENTS
5,046,739 A * 9/1991 Reichow A63F 13/02
273/148 B

1 Claim, 4 Drawing Sheets



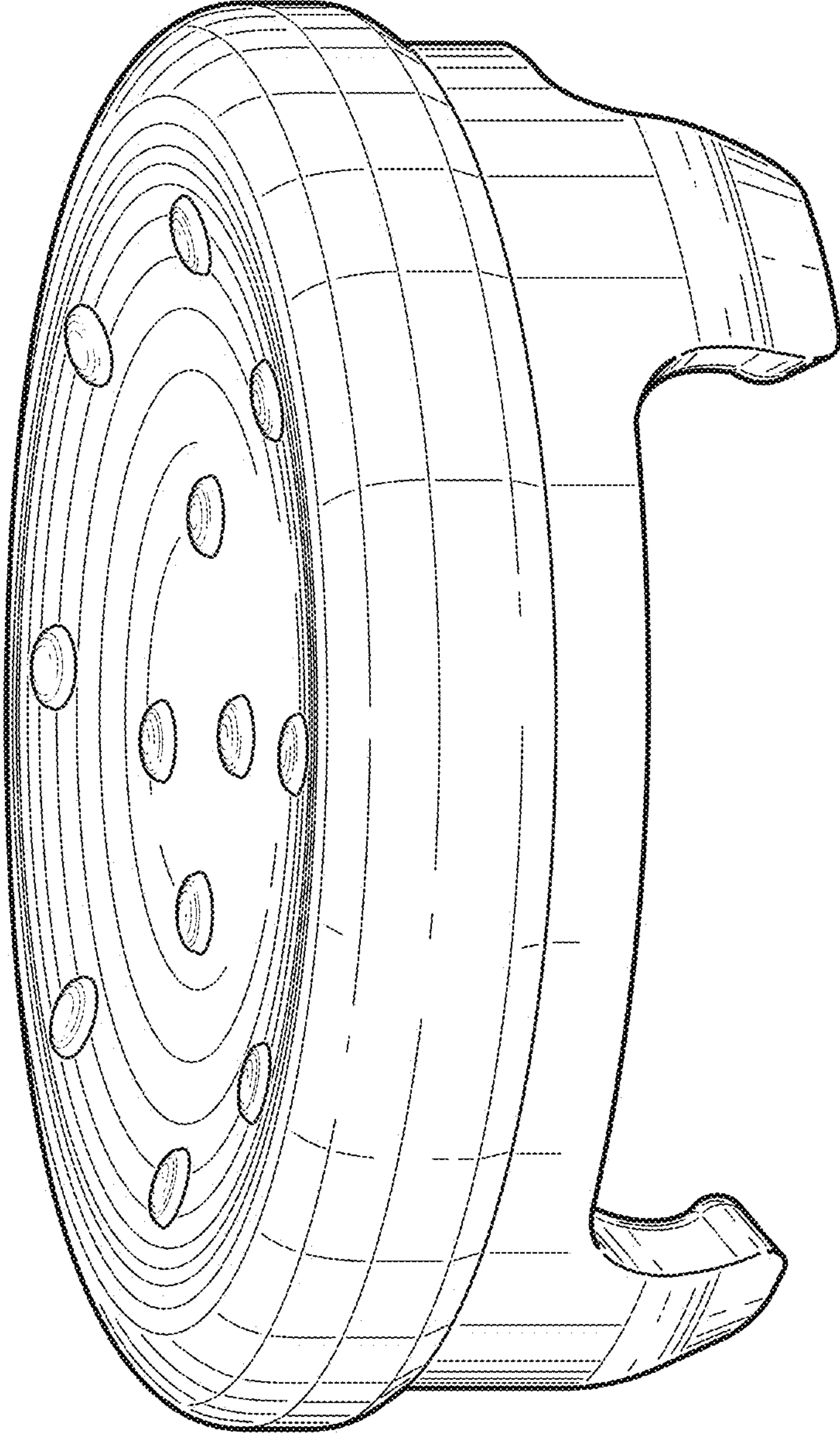


FIG. 1

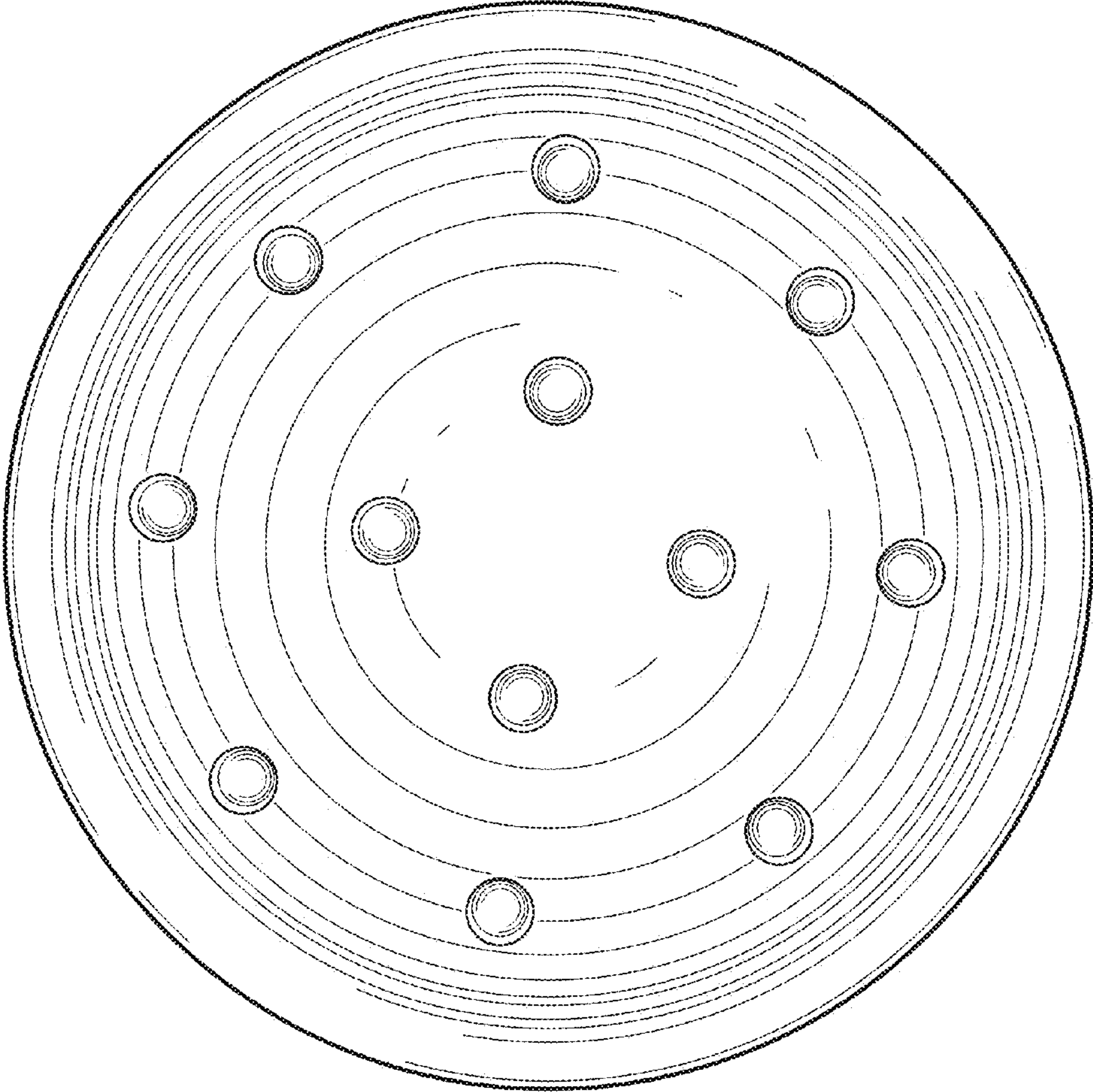


FIG. 2

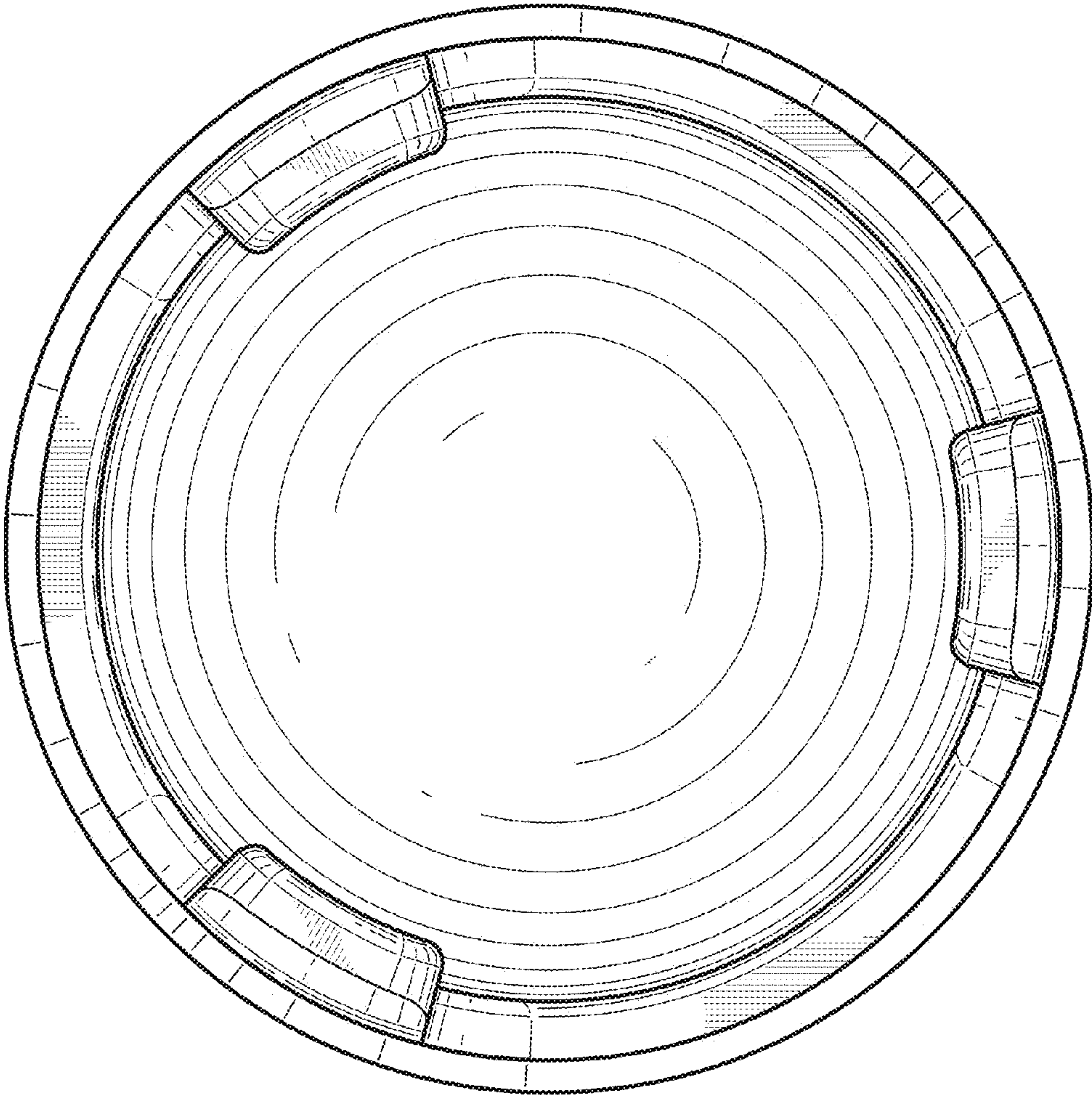


FIG. 3

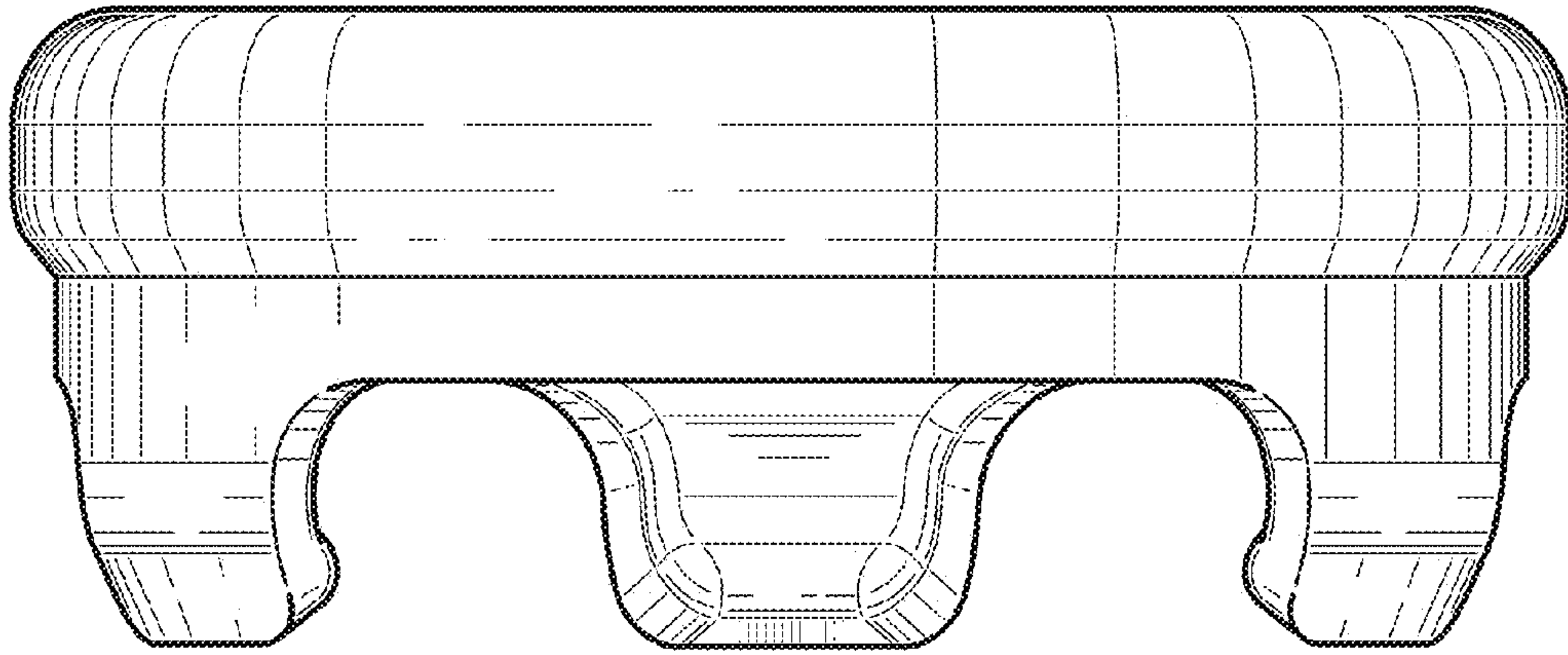


FIG. 4

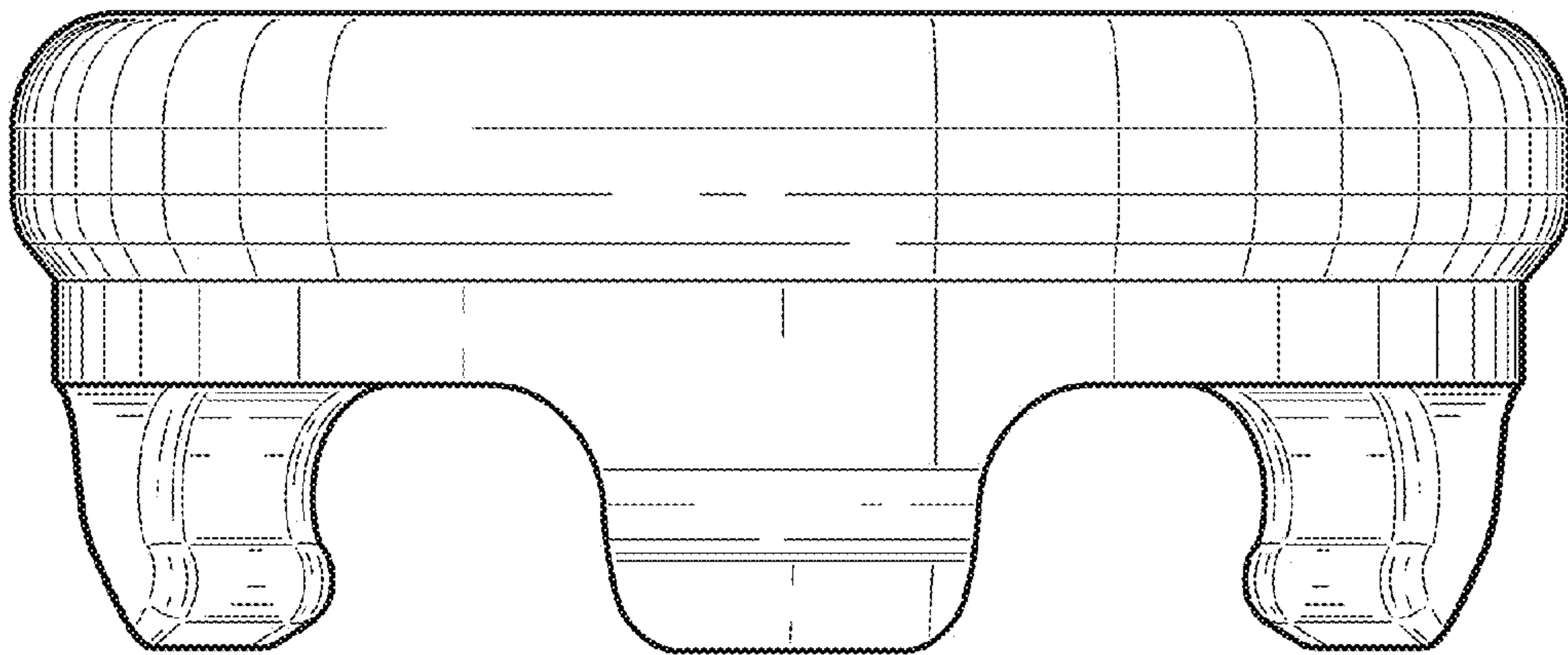


FIG. 5

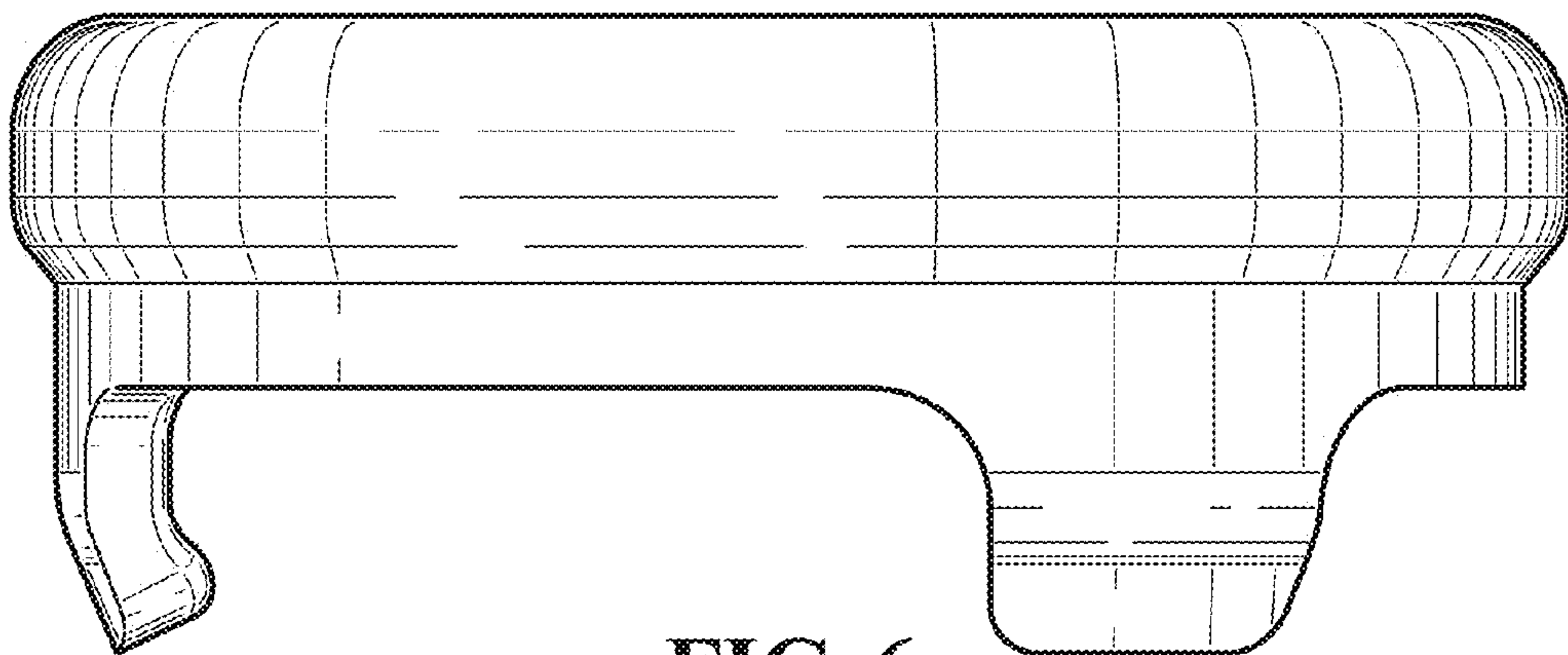


FIG. 6