



US00D762777S

(12) **United States Design Patent**  
**Szucs et al.**

(10) **Patent No.:** **US D762,777 S**  
(45) **Date of Patent:** **\*\* Aug. 2, 2016**

(54) **HOOK BRACKET FOR WALL MOUNTING DEVICES**

(71) Applicant: **Parallax Group International, LLC**,  
San Juan Capistrano, CA (US)

(72) Inventors: **Peter Szucs**, Burbank, CA (US); **Bruce A. Thrush**, San Juan Capistrano, CA (US)

(73) Assignee: **Parallax Group International, LLC**,  
San Juan Capistrano, CA (US)

(\*\*) Term: **14 Years**

(21) Appl. No.: **29/521,397**

(22) Filed: **Mar. 23, 2015**

(51) **LOC (10) Cl.** ..... **08-05**

(52) **U.S. Cl.**  
USPC ..... **D20/42**

(58) **Field of Classification Search**  
USPC ..... D8/16, 18, 19, 20, 105, 356, 363, 366,  
D8/370-377, 380-382; D6/406.2;  
D12/106, 48; D20/42  
CPC ..... A47F 5/0832; A47F 2005/0012; A47F  
5/0869; A47G 25/0685; A47G 7/044; B60P  
7/0807; A47H 13/04; B60D 1/52; F16B 45/00  
See application file for complete search history.

(56) **References Cited**

**U.S. PATENT DOCUMENTS**

3,045,961 A 12/1958 Cygan  
3,698,565 A 10/1972 Weber

(Continued)

**FOREIGN PATENT DOCUMENTS**

AU 2008200650 9/2008  
CA 2702184 4/2009

**OTHER PUBLICATIONS**

Garageappel.com, Gladiator GearTrack 4' Channels (2-Pack), <http://www.garageappel.com/gladiatorgeartrack4channels2-pack.aspx>, downloaded on Mar. 7, 2013, 3 pages.

*Primary Examiner* — Robert M Spear

*Assistant Examiner* — Eliza Bennett-Hattan

(74) *Attorney, Agent, or Firm* — Fish & Tsang LLP

(57) **CLAIM**

We claim the ornamental design for a hook bracket for wall mounting devices, as shown and described.

**DESCRIPTION**

FIG. 1 is a top, front, left side perspective view of a hook bracket for wall mounting devices in a locked position. The uniformly short dashed lines depicting an outline of an S-shaped hook shank forms no part of the claimed design.

FIG. 2 is a right side elevation view of a hook bracket for wall mounting devices in a locked position, the left side elevation view being a mirror image. The broken lines depicting an outline of a slatwall represent environmental matter and form no part of the claimed design. The uniformly short dashed lines depicting an outline of tabs protruding from the hook plate form no part of the claimed design.

FIG. 3 is a front elevation view of a hook bracket for wall mounting devices.

FIG. 4 is a rear elevation view of a hook bracket for wall mounting devices. The uniformly short dashed lines depicting an outline of tabs protruding from the hook plate form no part of the claimed design.

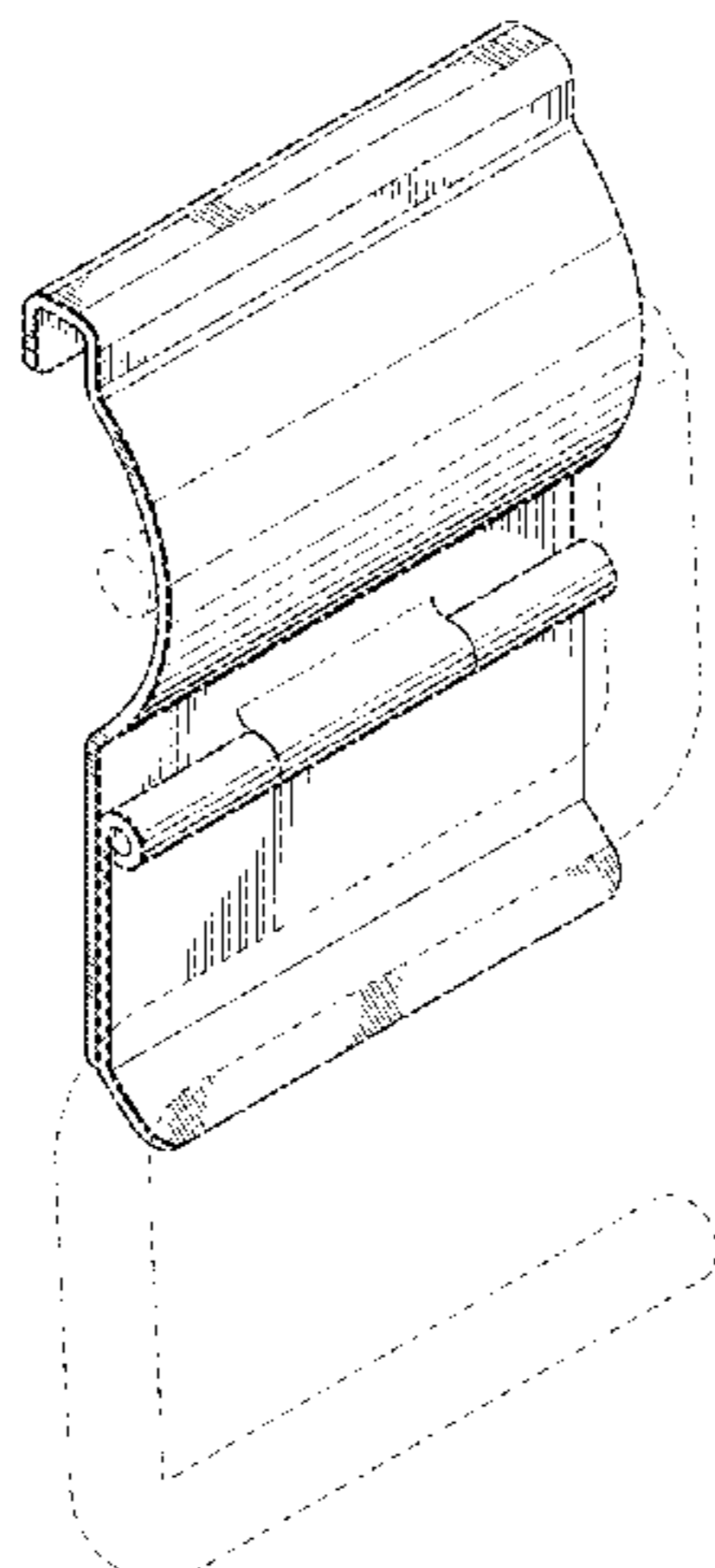
FIG. 5 is a top plan view of a hook bracket for wall mounting devices.

FIG. 6 is a bottom plan view of a hook bracket for wall mounting devices. The uniformly short dashed lines depicting an outline of tabs protruding from the hook plate form no part of the claimed design.

FIG. 7 is a top, front, left side perspective view of a hook bracket for wall mounting devices in an unlocked position; and,

FIG. 8 is a right side elevation view of a hook bracket for wall mounting devices in an unlocked position, the left side elevation view being a mirror image. The broken lines depicting an outline of a slatwall represent environmental matter and form no part of the claimed design. The uniformly short dashed lines depicting an outline of tabs protruding from the hook plate form no part of the claimed design.

**1 Claim, 4 Drawing Sheets**



(56)

**References Cited**

U.S. PATENT DOCUMENTS

4,308,961	A	1/1982	Kunce						
4,618,192	A	10/1986	Kelley						
5,224,610	A	7/1993	Veazey						
5,228,579	A	7/1993	Kaufman						
5,588,166	A *	12/1996	Burnett	.....	F16L 3/1075				
						248/214			
6,119,878	A	9/2000	Zen						
6,378,828	B1 *	4/2002	Valiulis	.....	A47F 5/0838				
						211/59.1			
D470,395	S *	2/2003	Valiulis	.....	D8/354				
6,811,043	B2	11/2004	Perkins et al.						
D551,953	S *	10/2007	Smalley	.....	D8/381				
D582,259	S *	12/2008	DeBiasio, Jr.	.....	D8/363				
7,686,172	B2	3/2010	Wisnoski et al.						
D650,264	S *	12/2011	Smalley	.....	D8/381				
8,146,754	B2	4/2012	Apgood, II et al.						
D731,005	S *	6/2015	Pierroz	.....	D21/664				
2007/0221594	A1	9/2007	Pierro						
2010/0213346	A1	8/2010	Chen						
2011/0042333	A1	2/2011	Magnusson et al.						
2014/0263896	A1 *	9/2014	David	.....	A47B 96/068				
						248/207			

\* cited by examiner

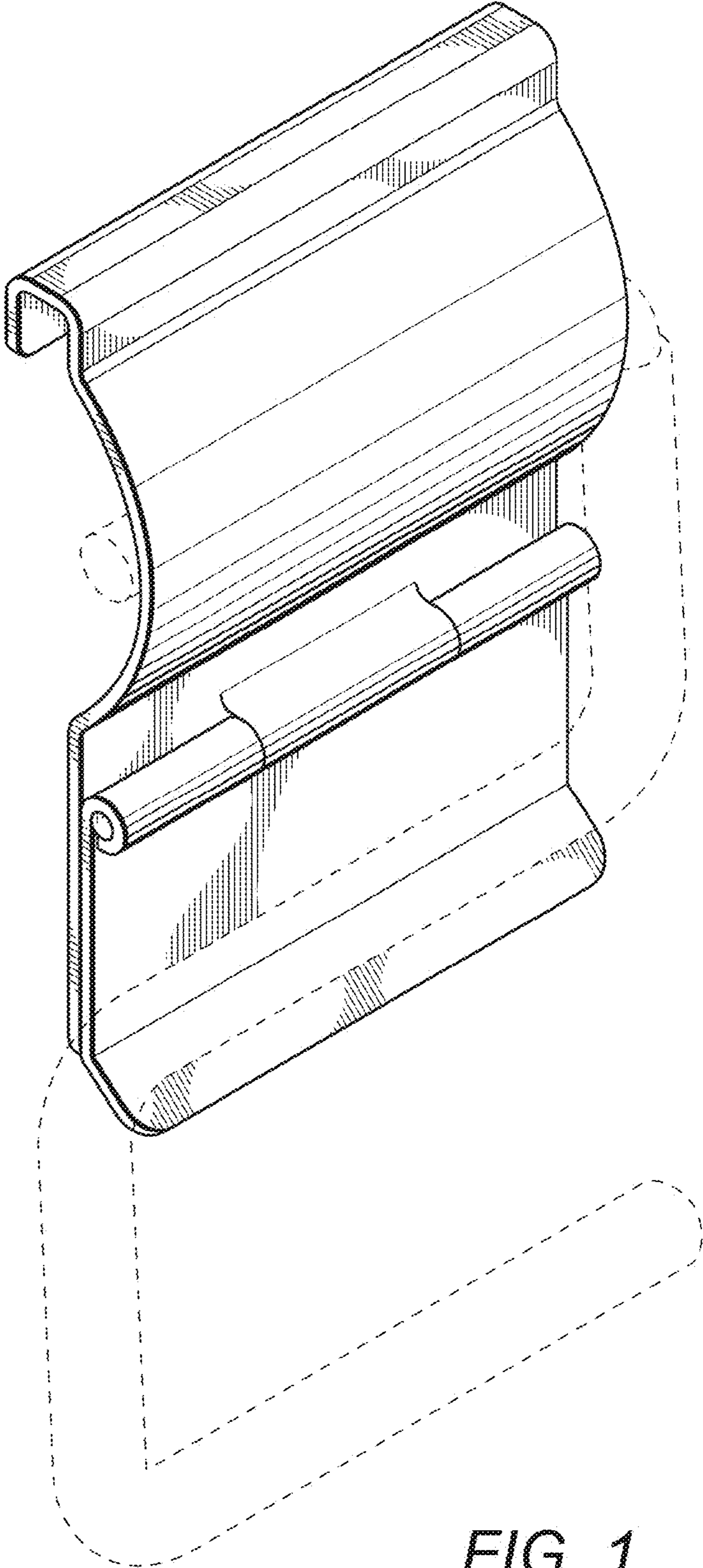


FIG. 1

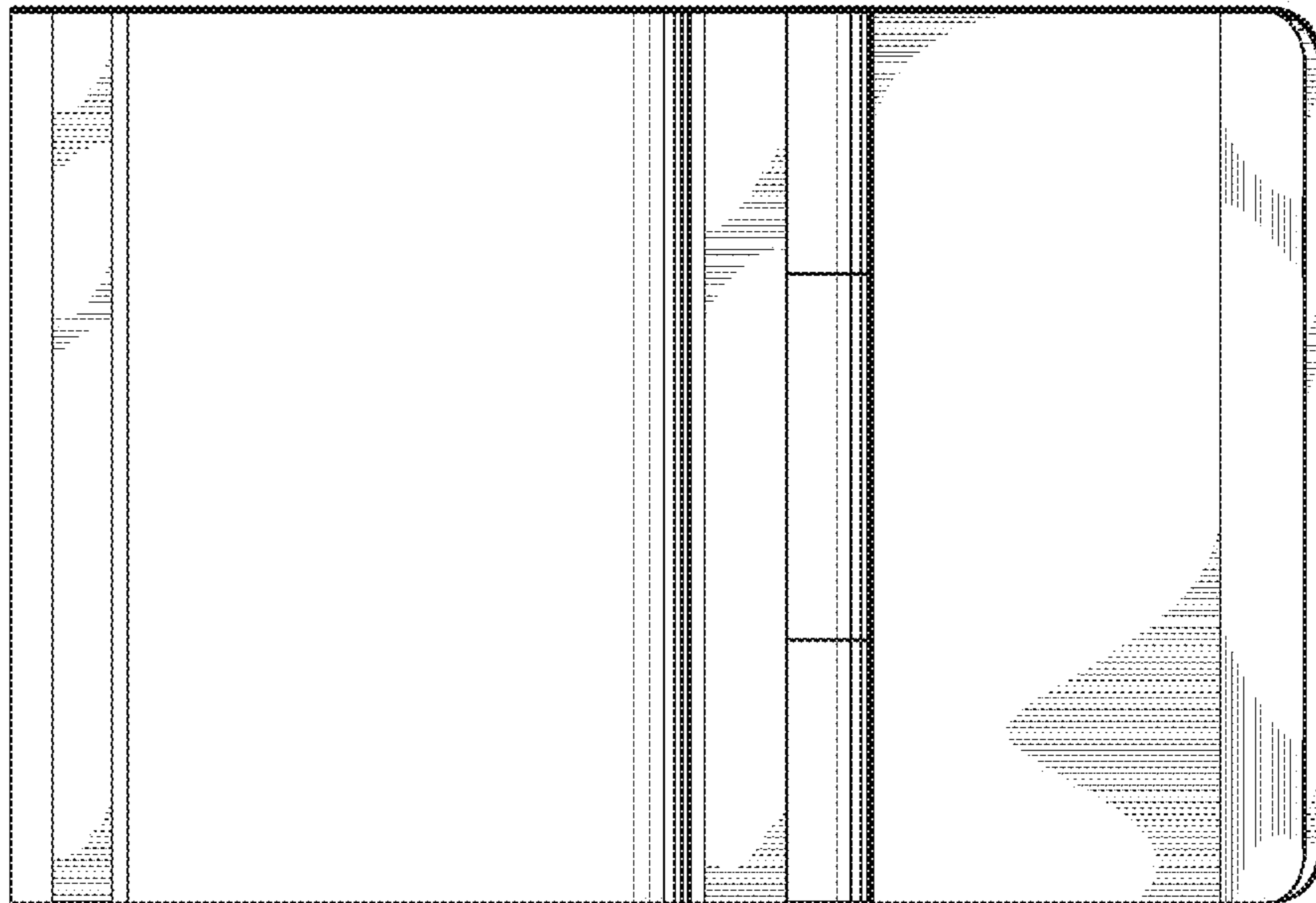


FIG. 3

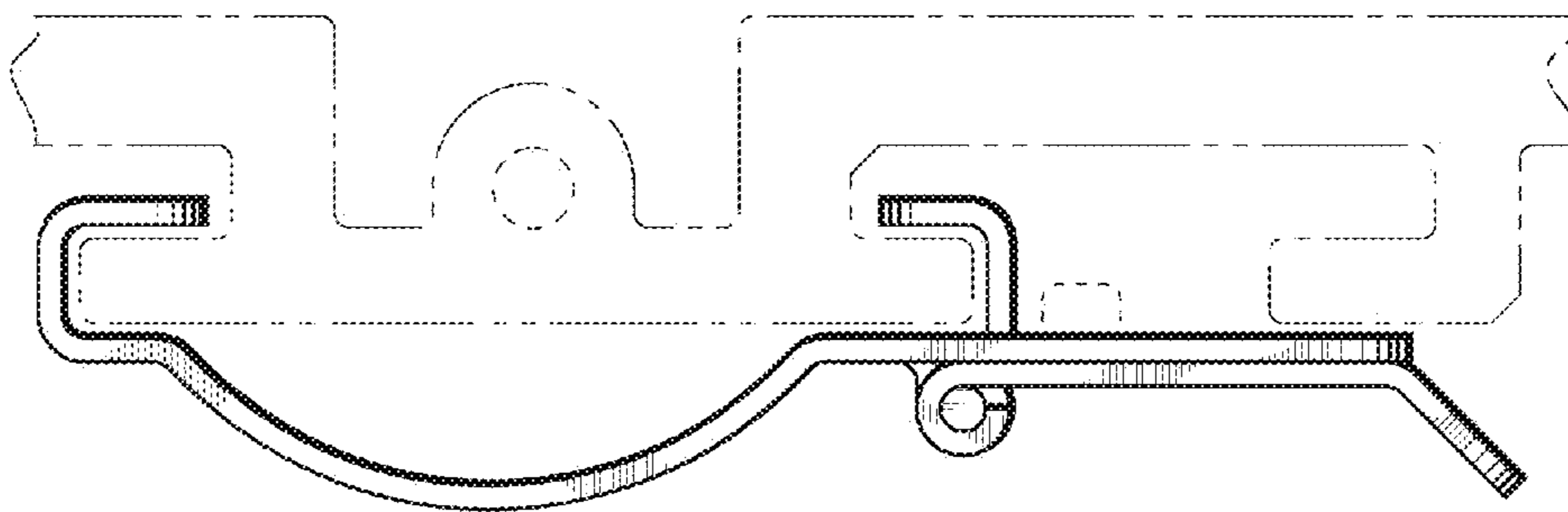


FIG. 2

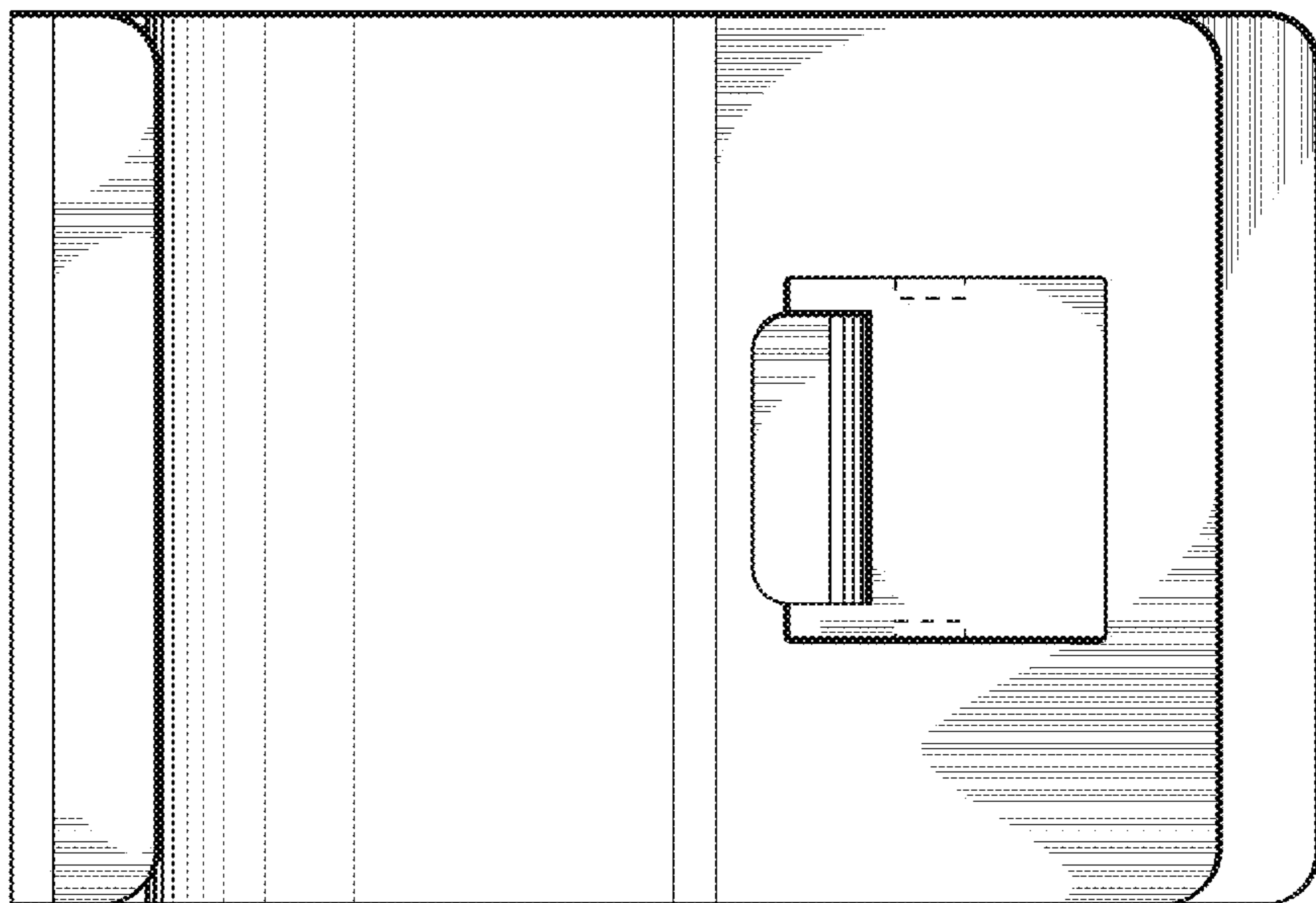


FIG. 4

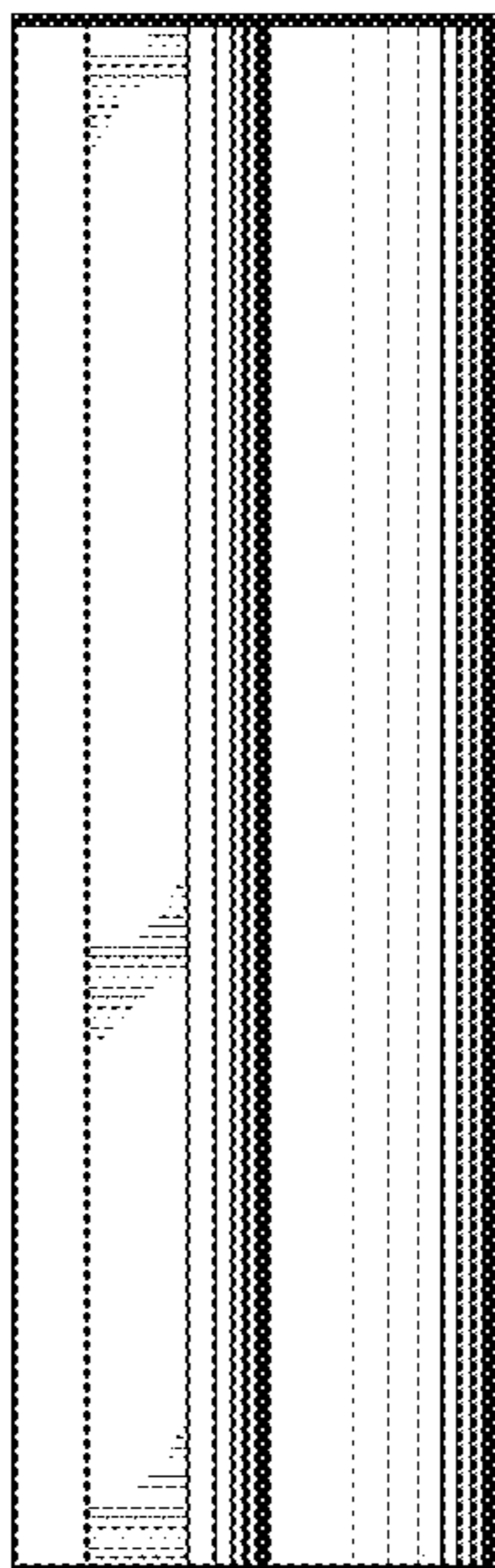


FIG. 5

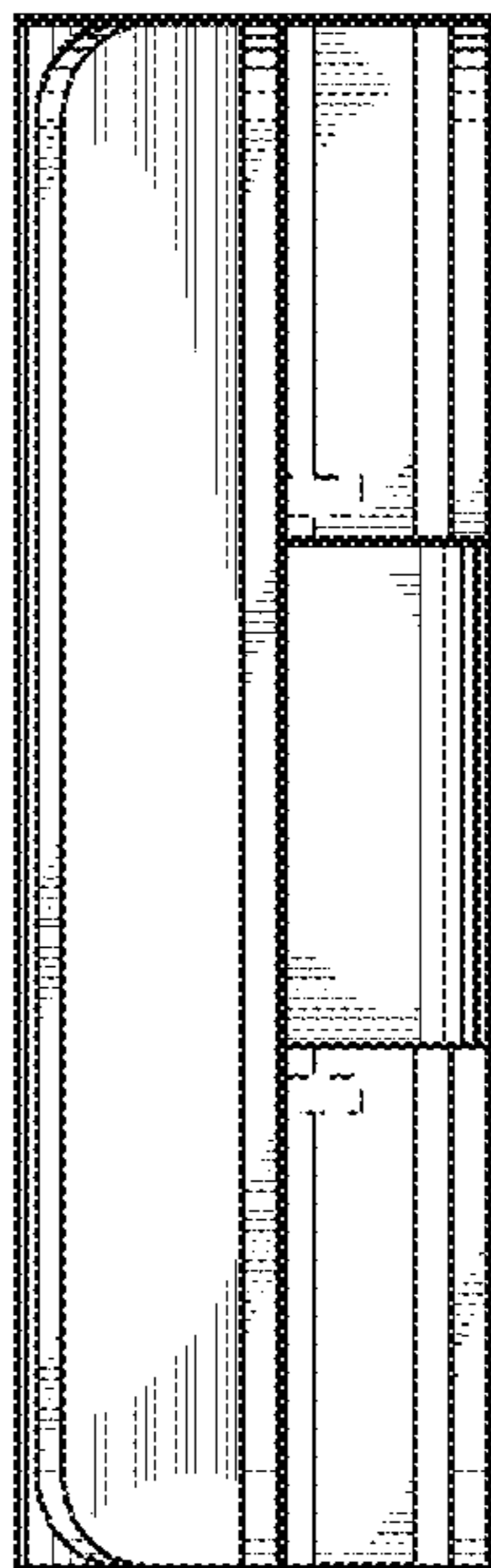


FIG. 6

