



US00D762772S

(12) **United States Design Patent**
Tsuruoka

(10) **Patent No.:** **US D762,772 S**
(45) **Date of Patent:** **** Aug. 2, 2016**

(54) **ELECTRONIC BLACKBOARD**

(56) **References Cited**

(71) Applicant: **Naoto Tsuruoka**, Ohta-ku (JP)
(72) Inventor: **Naoto Tsuruoka**, Ohta-ku (JP)
(73) Assignee: **RICOH COMPANY, LTD.**, Tokyo (JP)
(**) Term: **15 Years**

U.S. PATENT DOCUMENTS

| | | | | | | |
|--------------|----|---|---------|-----------|-------|------------------------|
| D339,379 | S | * | 9/1993 | Persing | | D19/113 |
| D424,538 | S | * | 5/2000 | Hayashi | | D14/126 |
| D594,062 | S | * | 6/2009 | Loerakker | | D19/113 |
| D626,599 | S | * | 11/2010 | Ogawa | | D19/113 |
| D635,189 | S | * | 3/2011 | Bolt | | D14/374 |
| D649,190 | S | * | 11/2011 | Goodall | | D14/374 |
| D657,787 | S | * | 4/2012 | Fletcher | | D14/300 |
| D669,553 | S | * | 10/2012 | Hughes | | D22/109 |
| D690,295 | S | * | 9/2013 | Fletcher | | D14/336 |
| 2006/0016951 | A1 | * | 1/2006 | Nash | | B43L 1/00 248/441.1 |

(21) Appl. No.: **29/530,081**

* cited by examiner

(22) Filed: **Jun. 12, 2015**

Primary Examiner — Freda S Nunn
(74) *Attorney, Agent, or Firm* — Oblon, McClelland, Maier & Neustadt, L.L.P.

(30) **Foreign Application Priority Data**

Feb. 12, 2015 (JP) 2015-002795

(51) **LOC (10) Cl.** **19-06**

(52) **U.S. Cl.**
USPC **D19/113; D14/371**

(58) **Field of Classification Search**
USPC D14/371-375, 125-129, 307, 336, 337;
341/12; 345/104, 156, 168, 173;
348/180, 184, 325, 739; 349/1, 2, 11,
349/62; 361/679.05-679.07, 679.21;
D6/300, 308; D19/113-115; D20/10,
D20/41, 42

CPC G09G 5/00; G06Q 20/18; G09B 19/00;
A47B 97/04; B43L 1/04; G06F 1/16

See application file for complete search history.

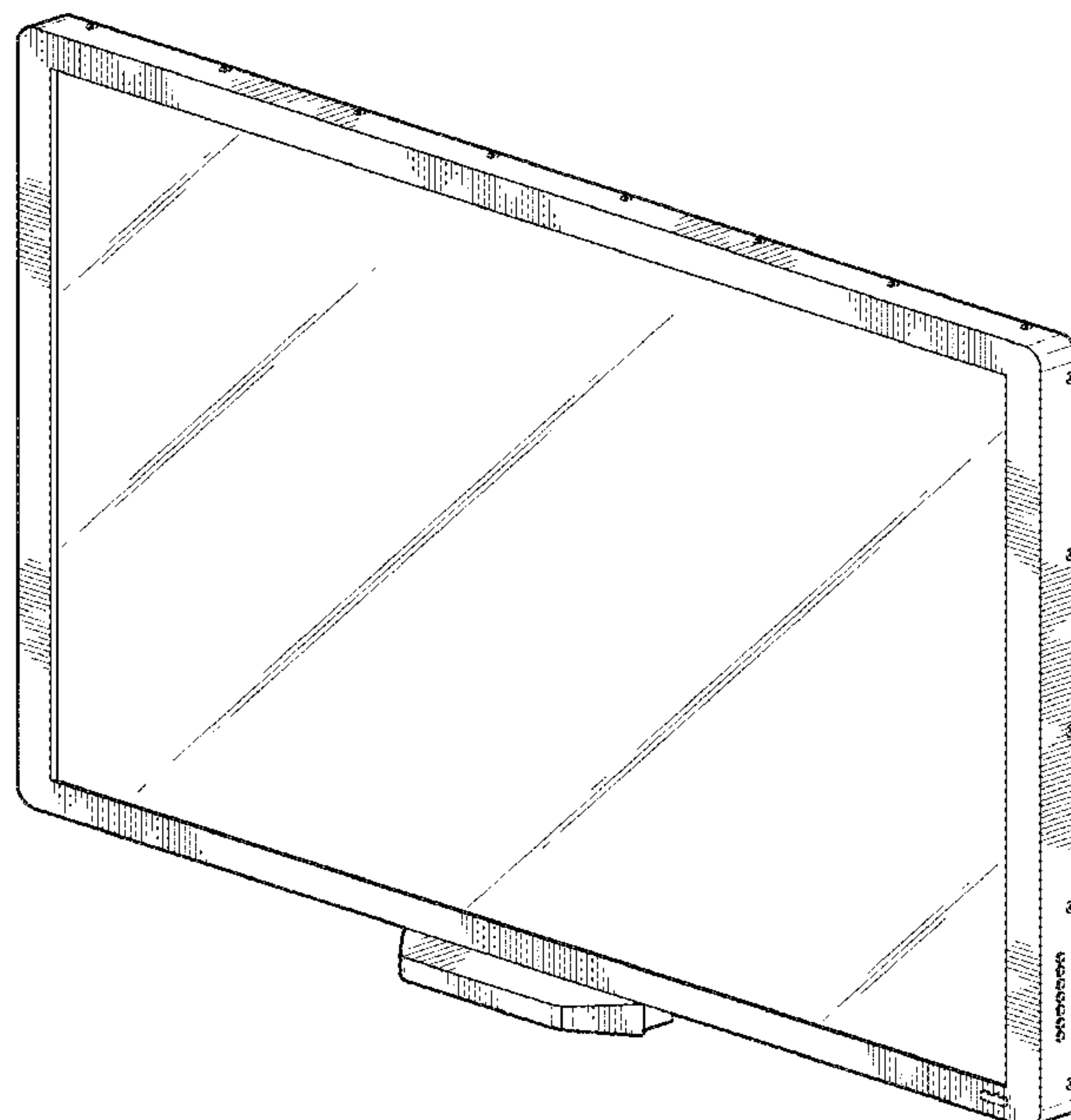
(57) **CLAIM**

The ornamental design for an electronic blackboard, as shown and described.

DESCRIPTION

FIG. 1 is a front, top, and right side perspective view of an electronic blackboard;
FIG. 2 is a rear, top, and right side perspective view thereof;
FIG. 3 is a front elevational view thereof;
FIG. 4 is a rear elevational view thereof;
FIG. 5 is a top plan view thereof;
FIG. 6 is a bottom plan view thereof;
FIG. 7 is a left side elevational view thereof; and,
FIG. 8 is a right side elevational view thereof.
The broken lines in the drawings illustrate environmental subject matter and form no part of the claimed design.

1 Claim, 6 Drawing Sheets



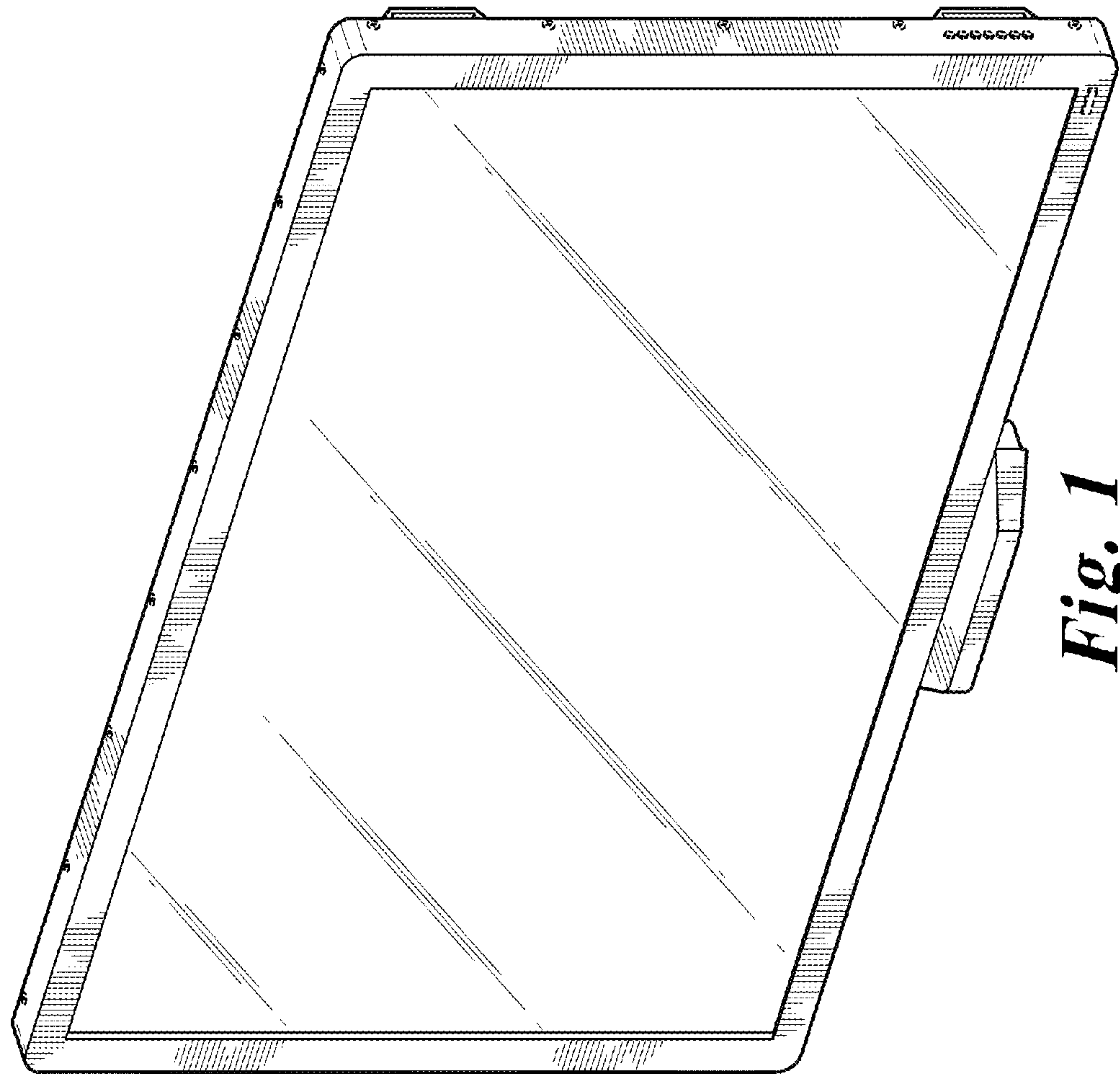


Fig. 1

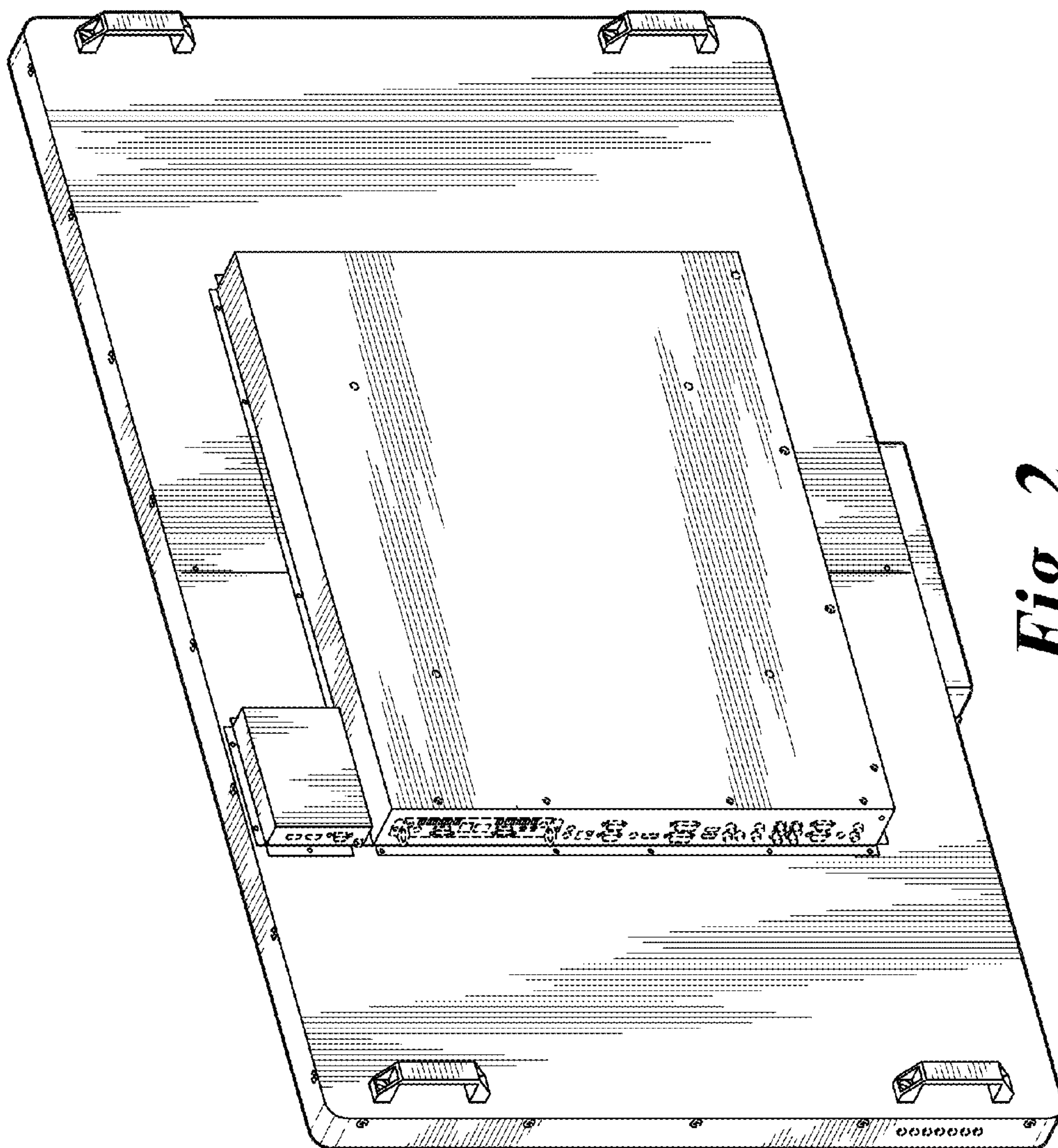


Fig. 2

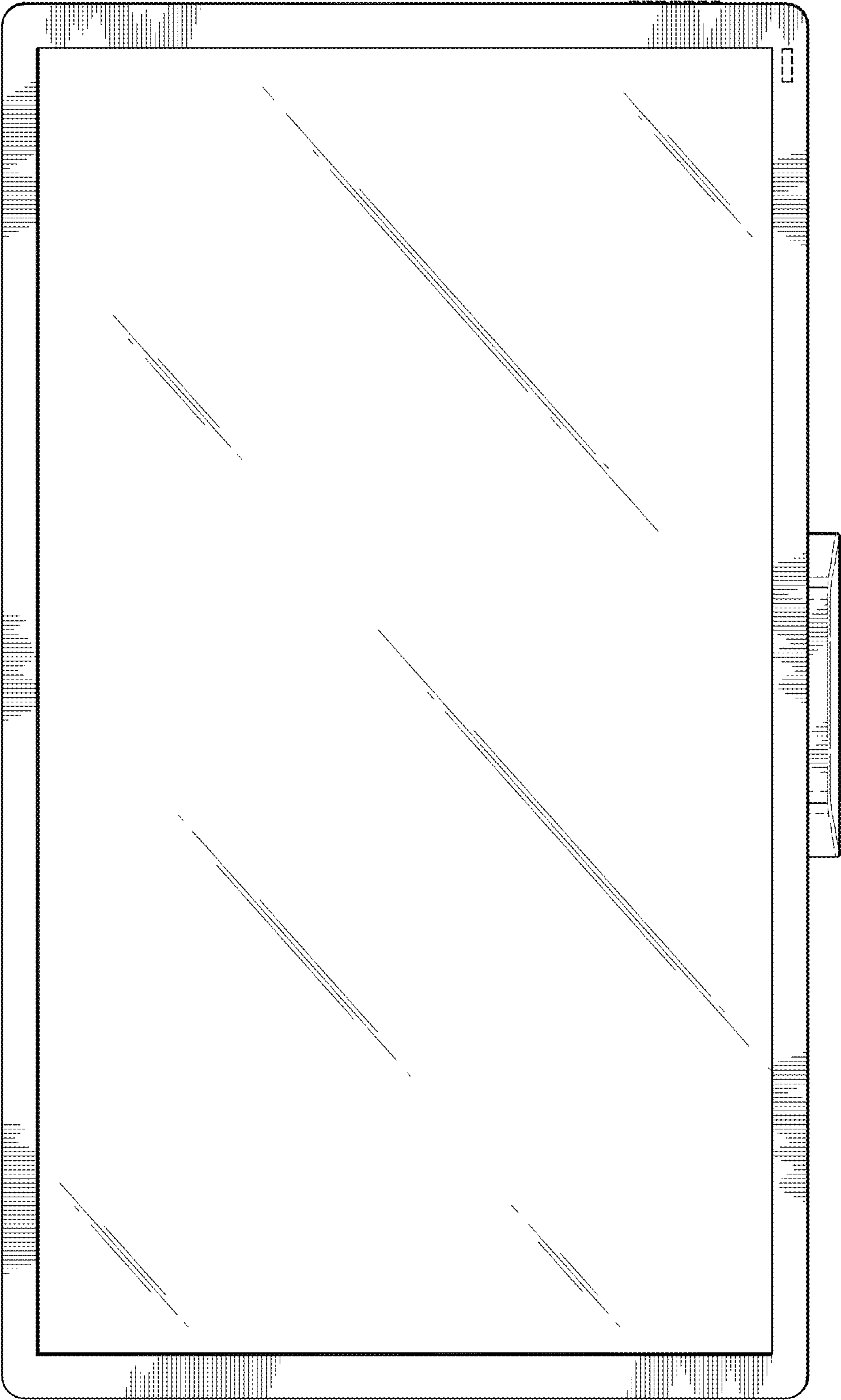


Fig. 3

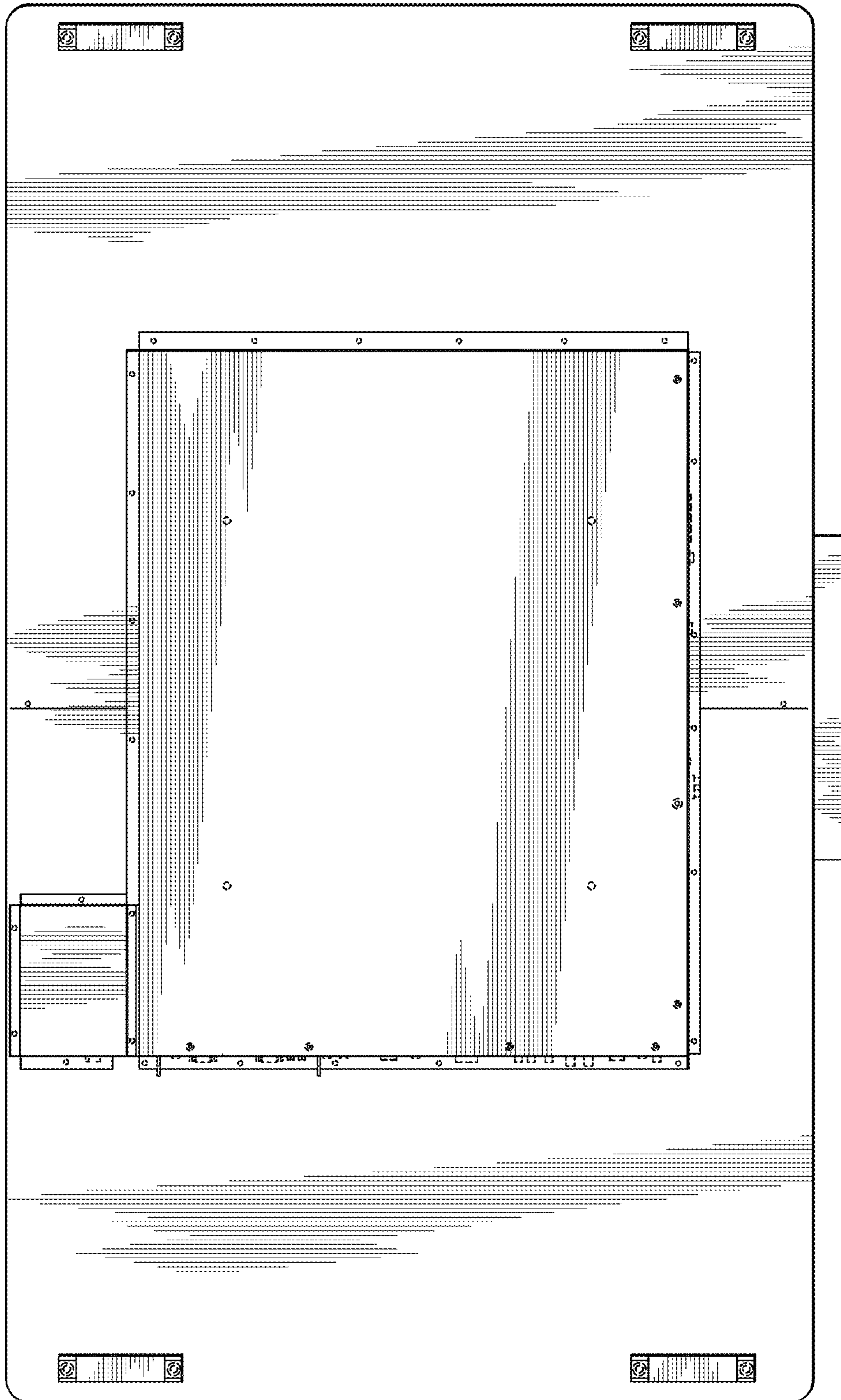


Fig. 4

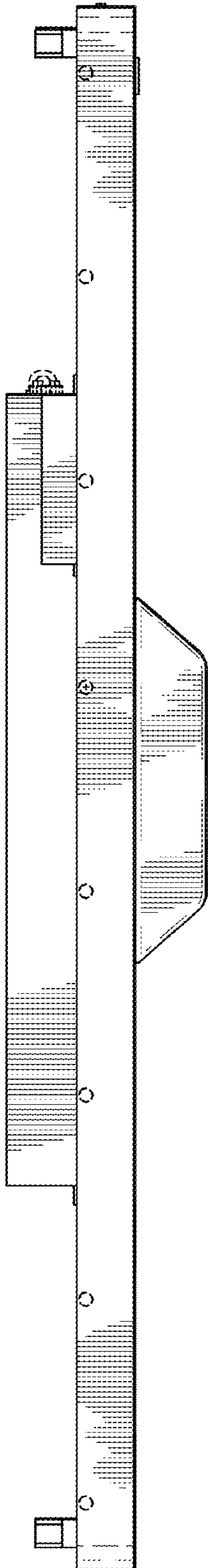


Fig. 5

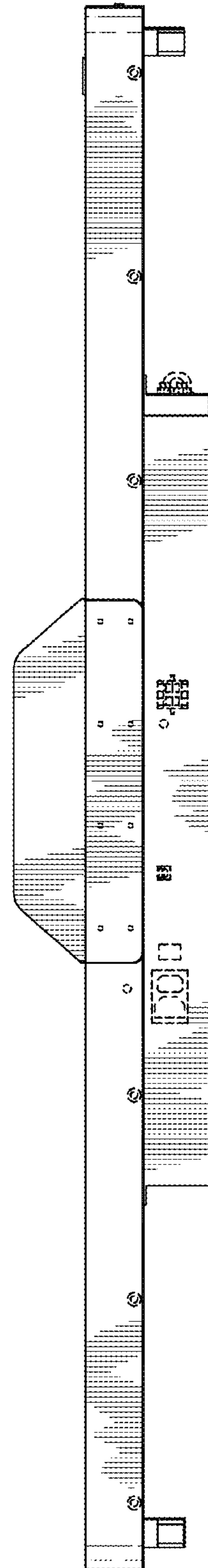


Fig. 6

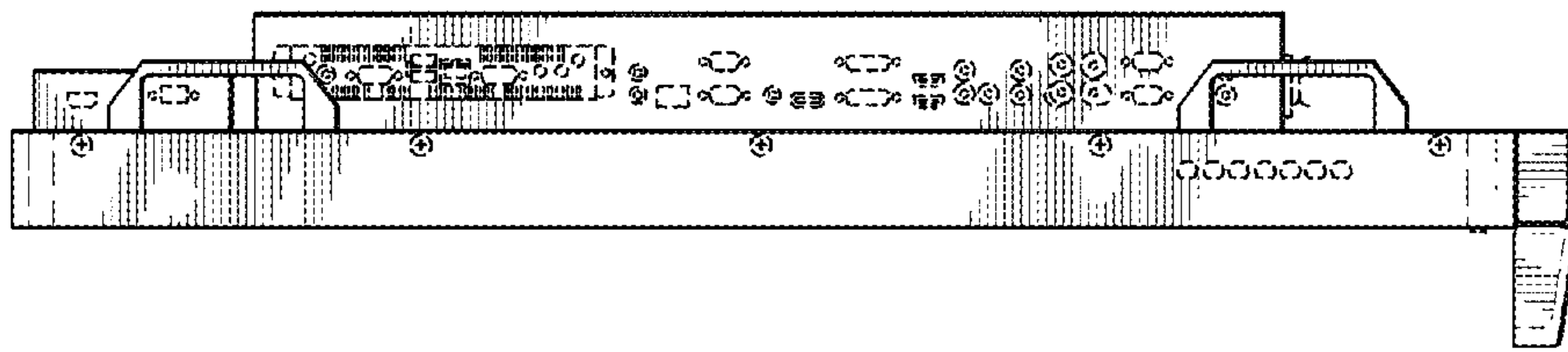


Fig. 8

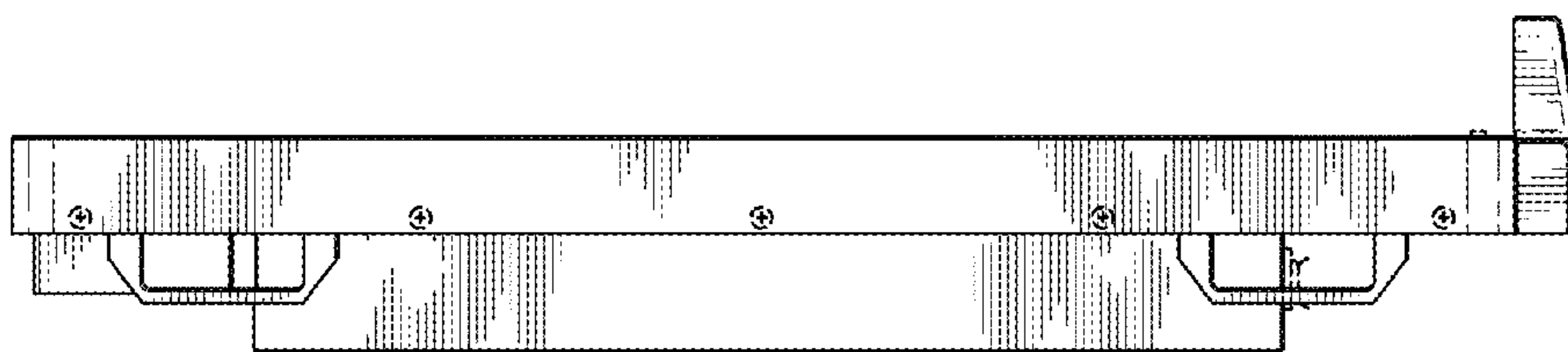


Fig. 7