

US00D762771S

(12) **United States Design Patent**
Oya et al.

(10) **Patent No.:** **US D762,771 S**
(45) **Date of Patent:** **** Aug. 2, 2016**

(54) **INK CARTRIDGE**

(71) Applicant: **SEIKO EPSON CORPORATION,**
Tokyo (JP)

(72) Inventors: **Shun Oya,** Matsumoto (JP); **Atsushi Kobayashi,** Matsumoto (JP); **Tadahiro Mizutani,** Shiojiri (JP)

(73) Assignee: **SEIKO EPSON CORPORATION,**
Tokyo (JP)

(**) Term: **14 Years**

(21) Appl. No.: **29/507,666**

(22) Filed: **Oct. 30, 2014**

(30) **Foreign Application Priority Data**

Jun. 11, 2014 (JP) 2014-012627

(51) **LOC (10) Cl.** **18-02**

(52) **U.S. Cl.**
USPC **D18/56**

(58) **Field of Classification Search**
USPC D18/12, 18, 34.9, 40, 43, 50, 56, 59,
D18/99; D14/471, 483
CPC B41J 2/17; B41J 2/1721; B41J 2/175;
B41J 2/17503; B41J 2/17513; B41J 2/1752;
B41J 2/17523; B41J 2/17553; B41J 2/17556;
B41J 2/185; B41J 29/377

See application file for complete search history.

(56) **References Cited**

U.S. PATENT DOCUMENTS

D438,896	S	*	3/2001	Shinada	347/86
D442,221	S	*	5/2001	Seino	D18/56
D454,909	S	*	3/2002	Seino	347/86
D455,780	S	*	4/2002	Seino	347/86
D466,928	S	*	12/2002	Boyd	347/86
7,134,747	B2	*	11/2006	Hayashi	B41J 2/17513 347/49
D650,418	S	*	12/2011	Butler	D18/56
D650,419	S	*	12/2011	Butler	D18/56
D692,947	S	*	11/2013	Nozawa	D18/56
D696,720	S	*	12/2013	Hayashi	D18/56
2015/0165773	A1	*	6/2015	Shiota	B41J 2/1752 347/85
2016/0016412	A1	*	1/2016	Mizutani	B41J 2/17553 347/86

* cited by examiner

Primary Examiner — Thomas Johannes
Assistant Examiner — Shawn T Gingrich

(57) **CLAIM**

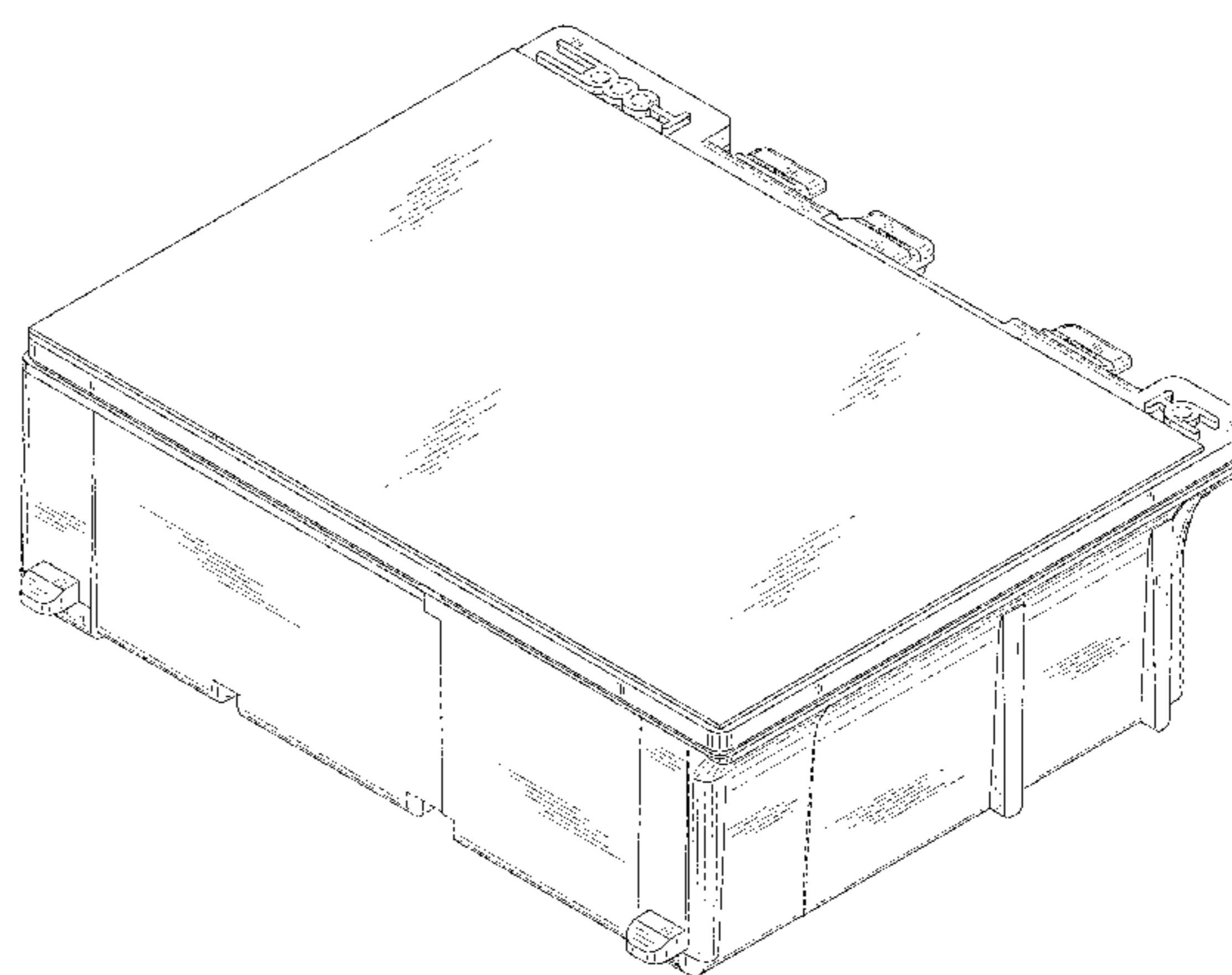
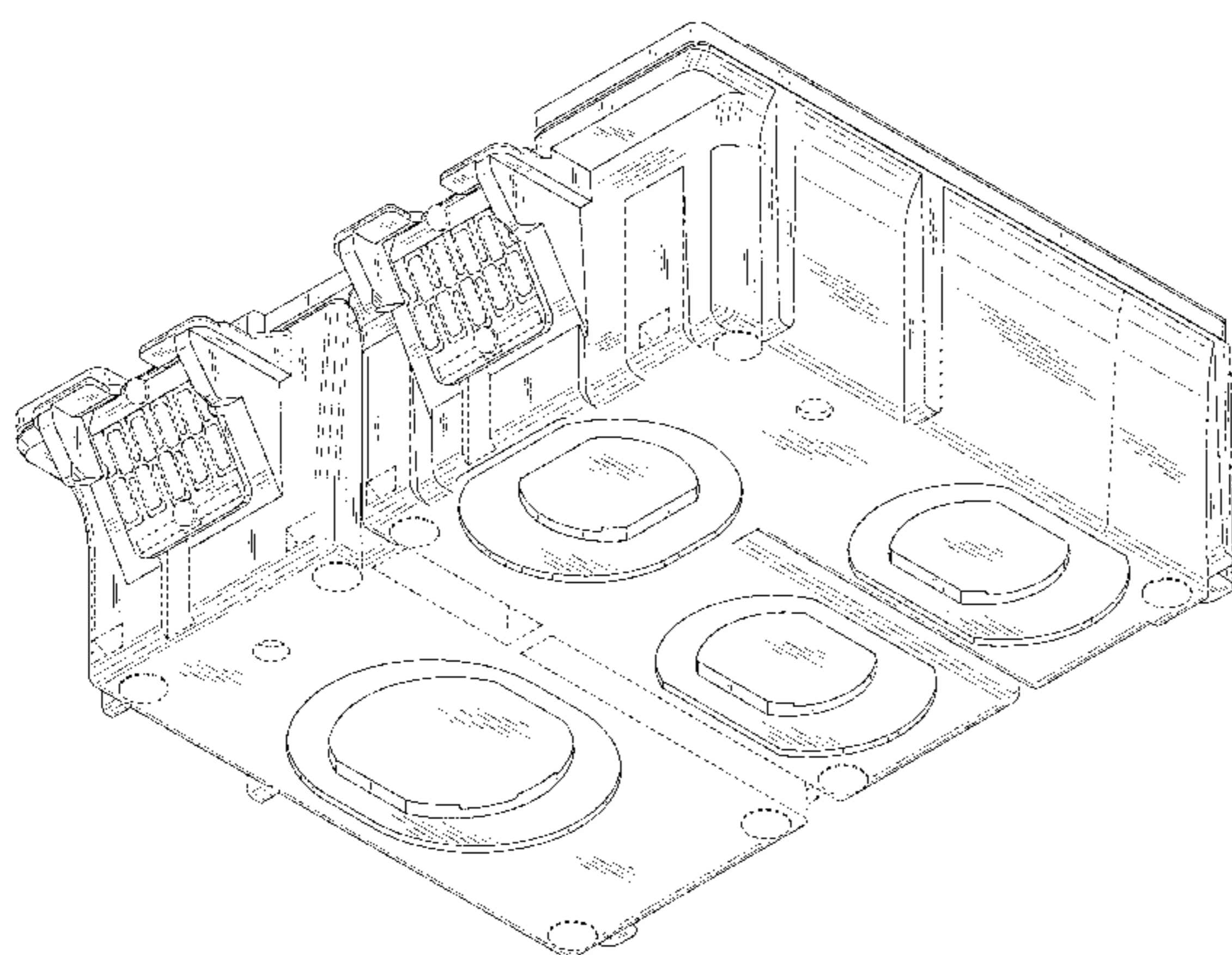
The ornamental design for an ink cartridge, as shown and described.

DESCRIPTION

FIG. 1 is a front, bottom and right side perspective view of an ink cartridge showing our new design;
FIG. 2 is a rear, top and left side perspective view thereof;
FIG. 3 is a front view thereof;
FIG. 4 is a rear view thereof;
FIG. 5 is a top plan view thereof;
FIG. 6 is a bottom plan view thereof;
FIG. 7 is a right side view thereof; and,
FIG. 8 is a left side view thereof.

The features shown in broken lines in the drawings depict portions of the article that form no part of the claimed design.

1 Claim, 8 Drawing Sheets



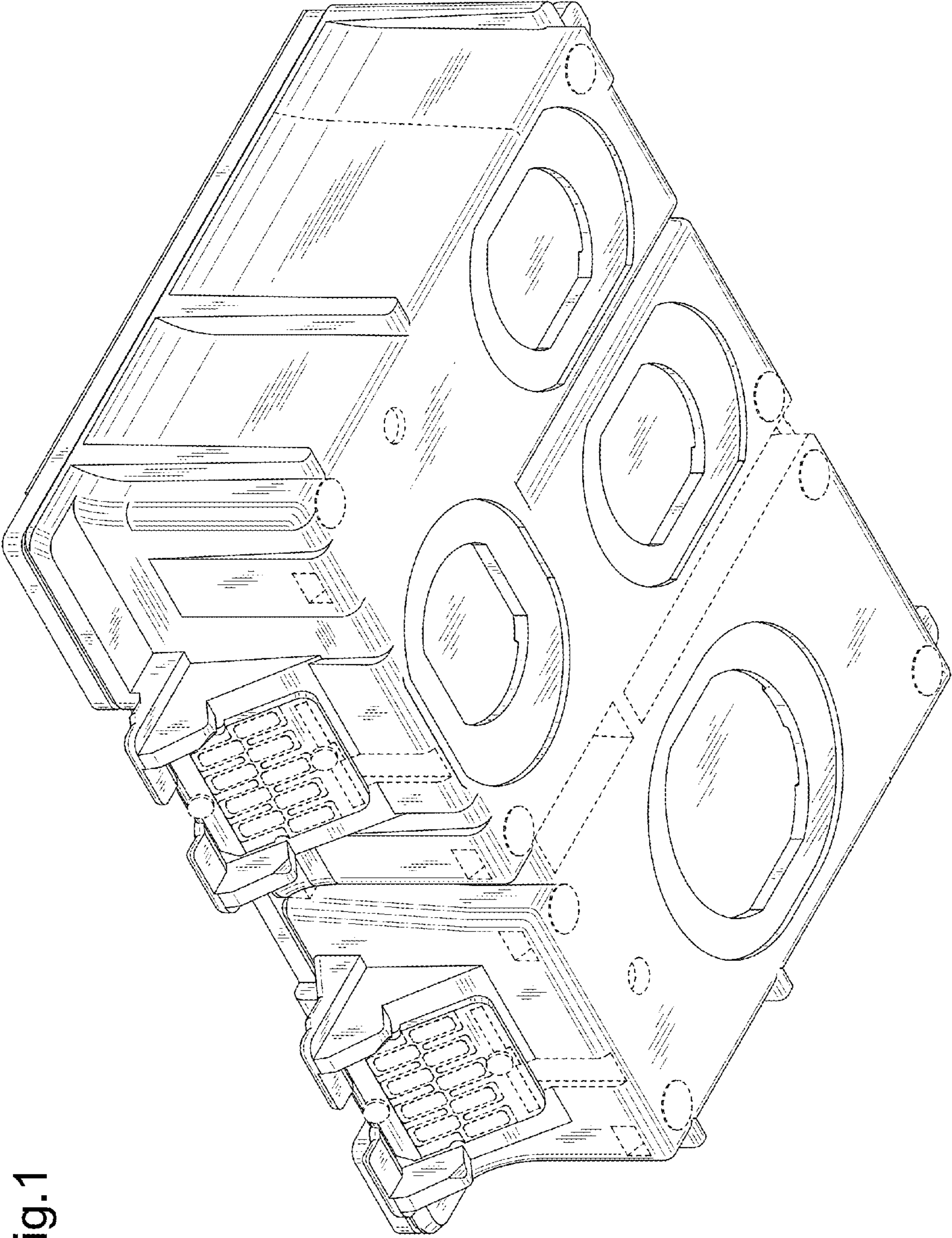


Fig.1

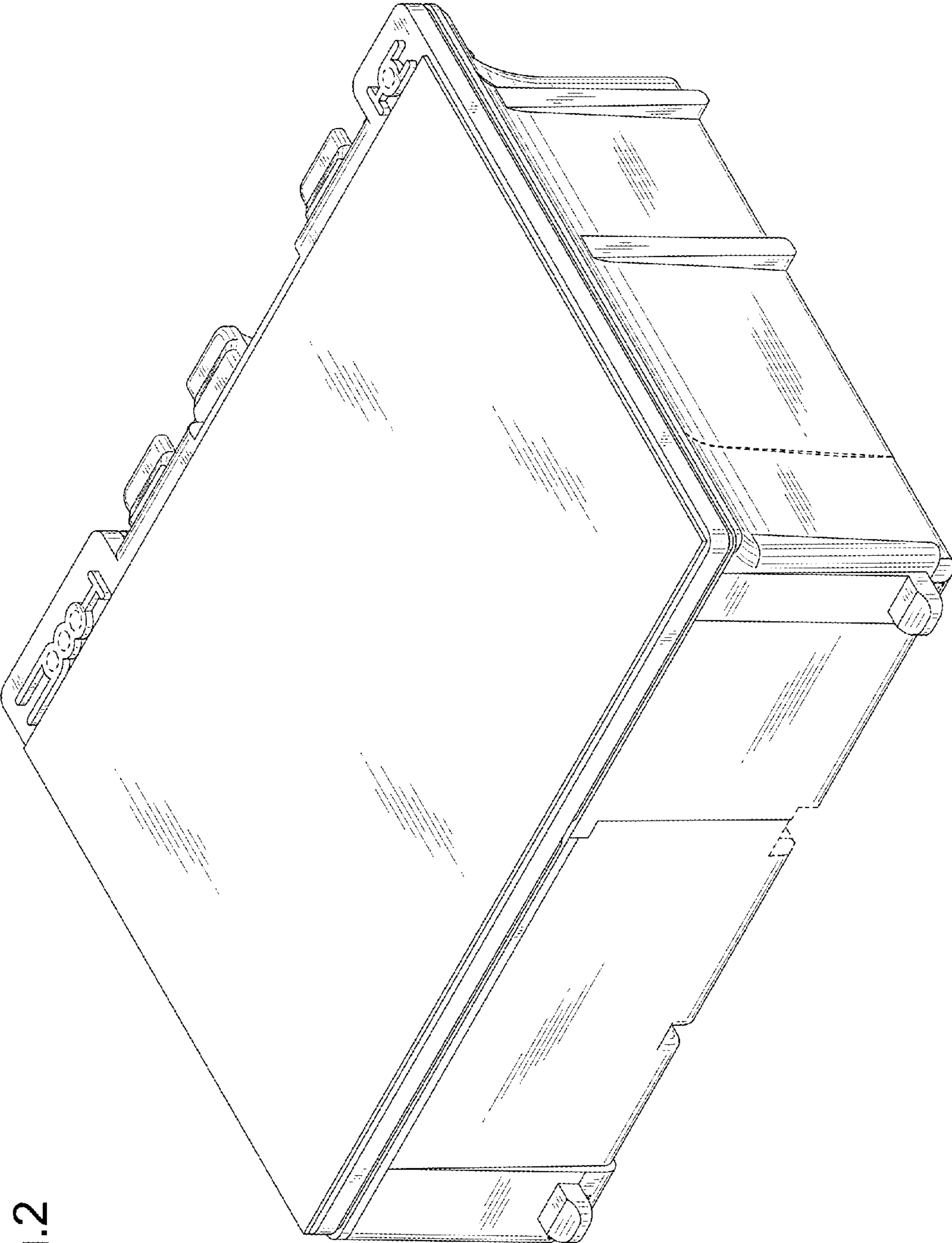


Fig.2

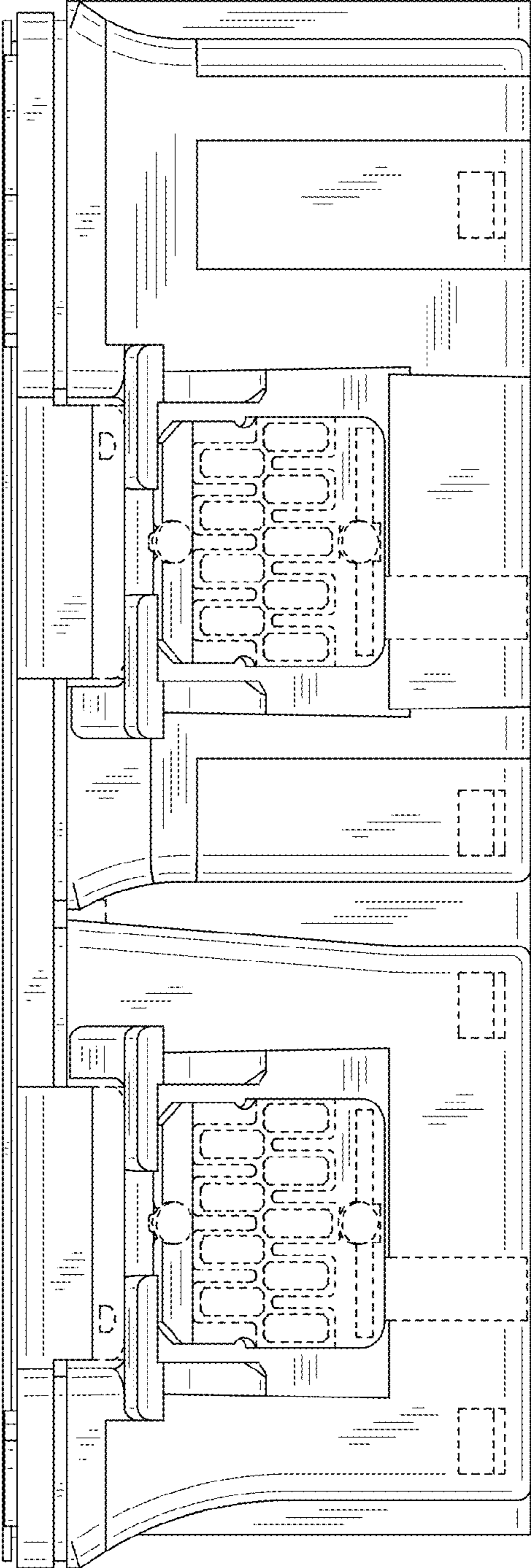


Fig.3

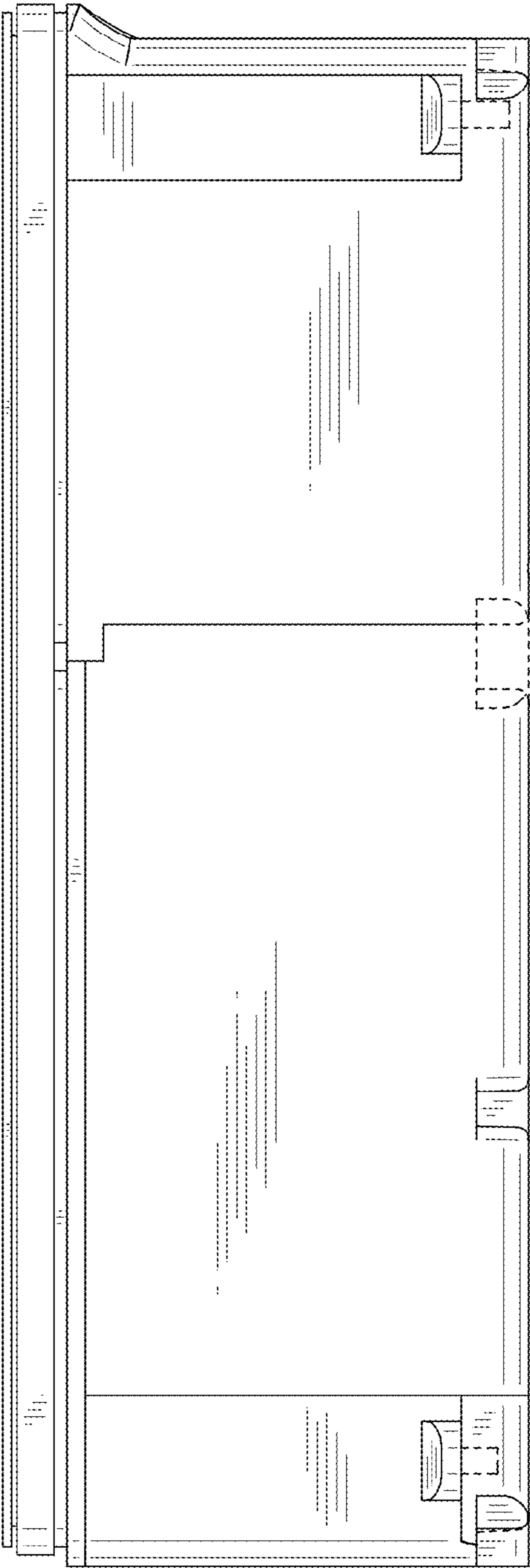


Fig.4

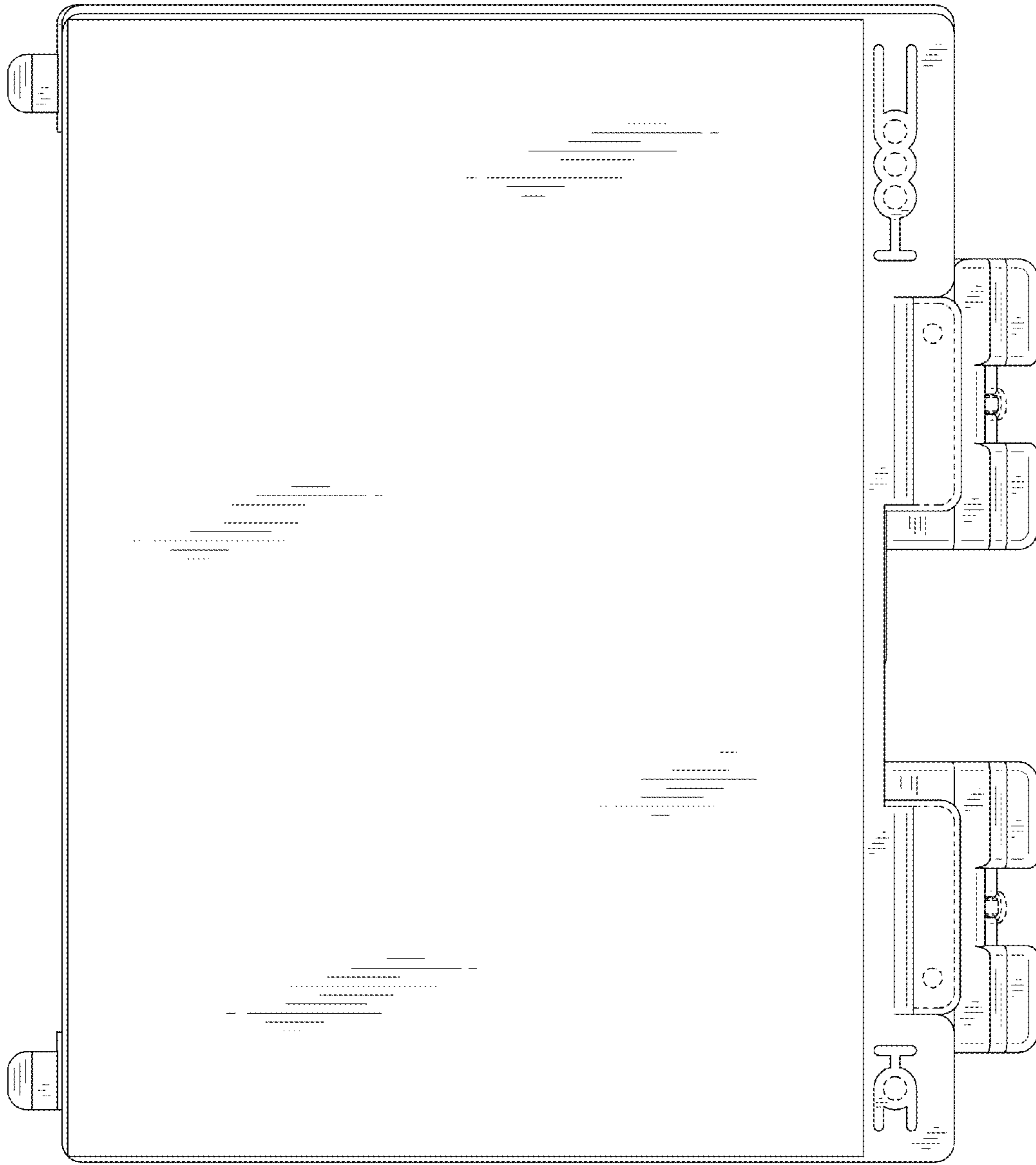


Fig. 5

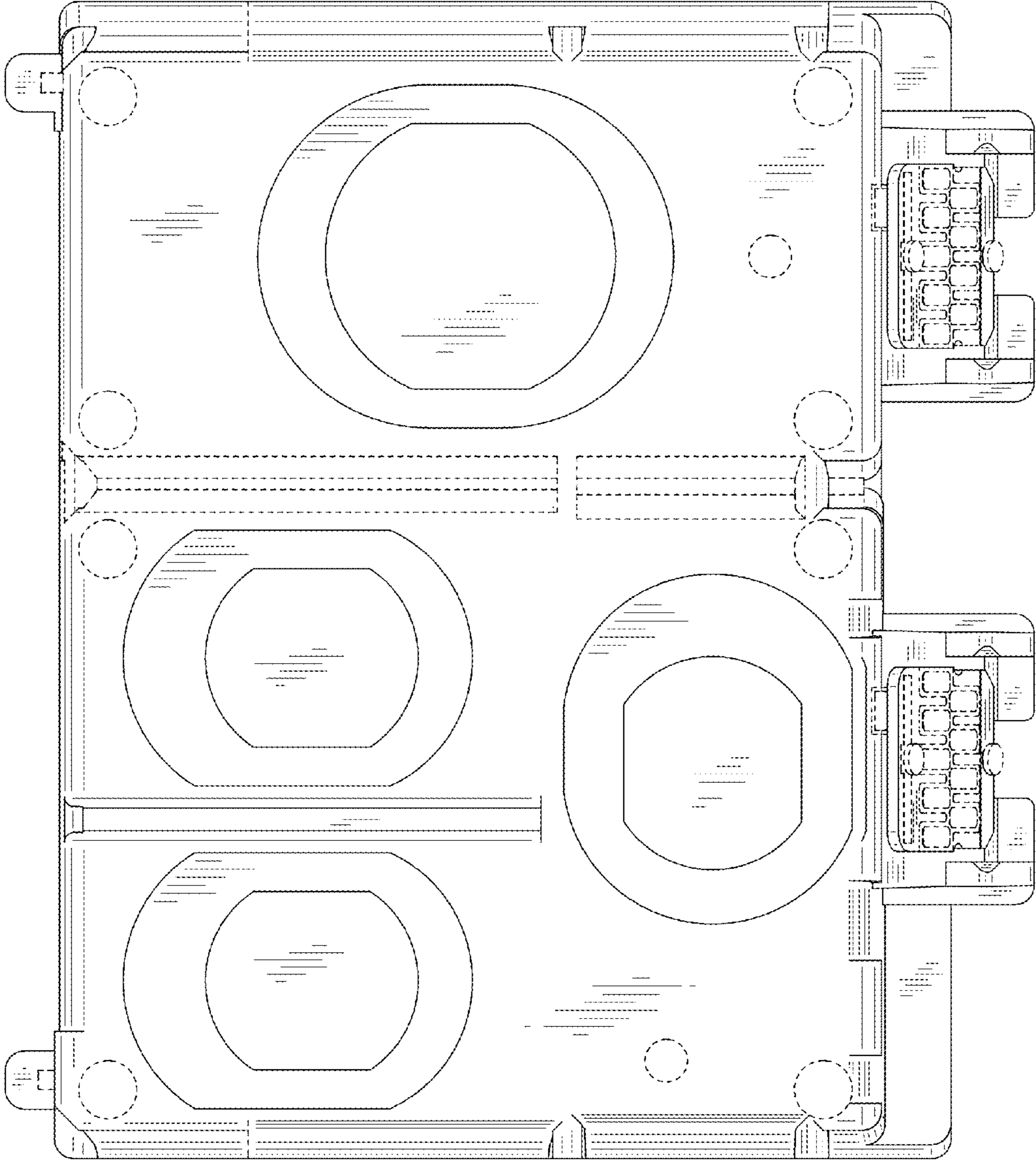


Fig.6

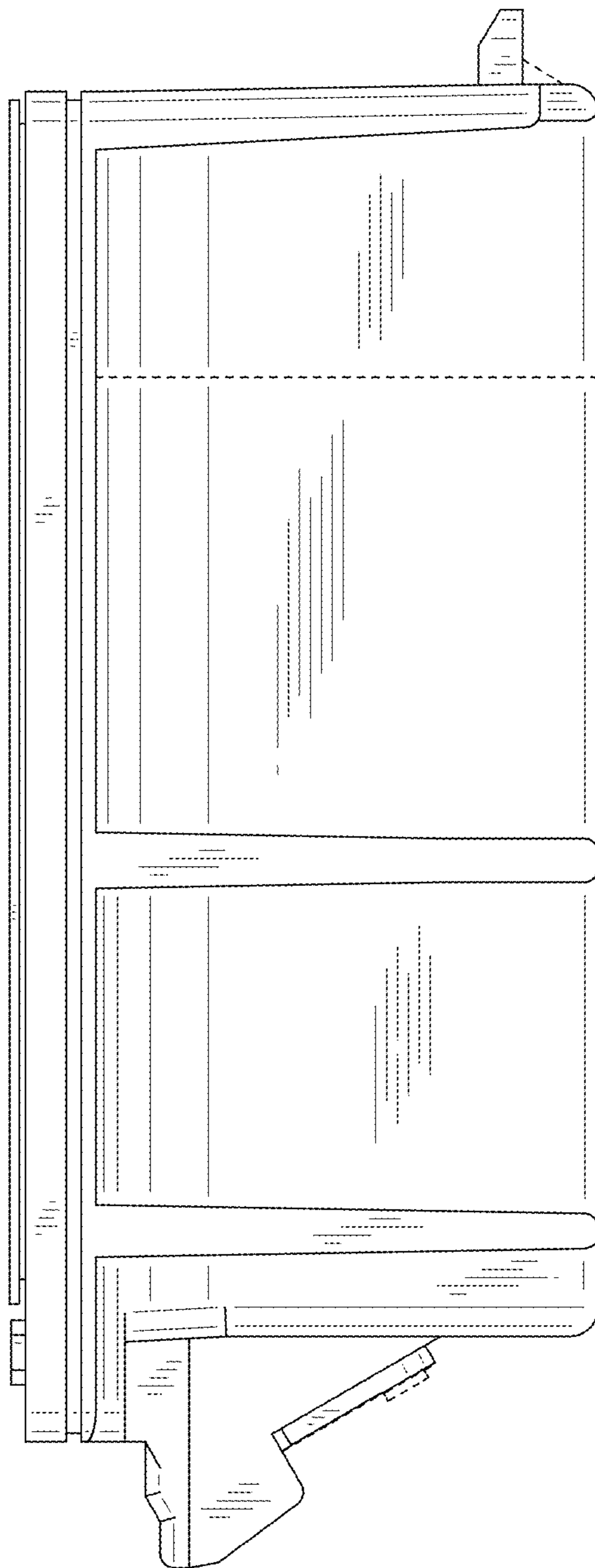


Fig. 7

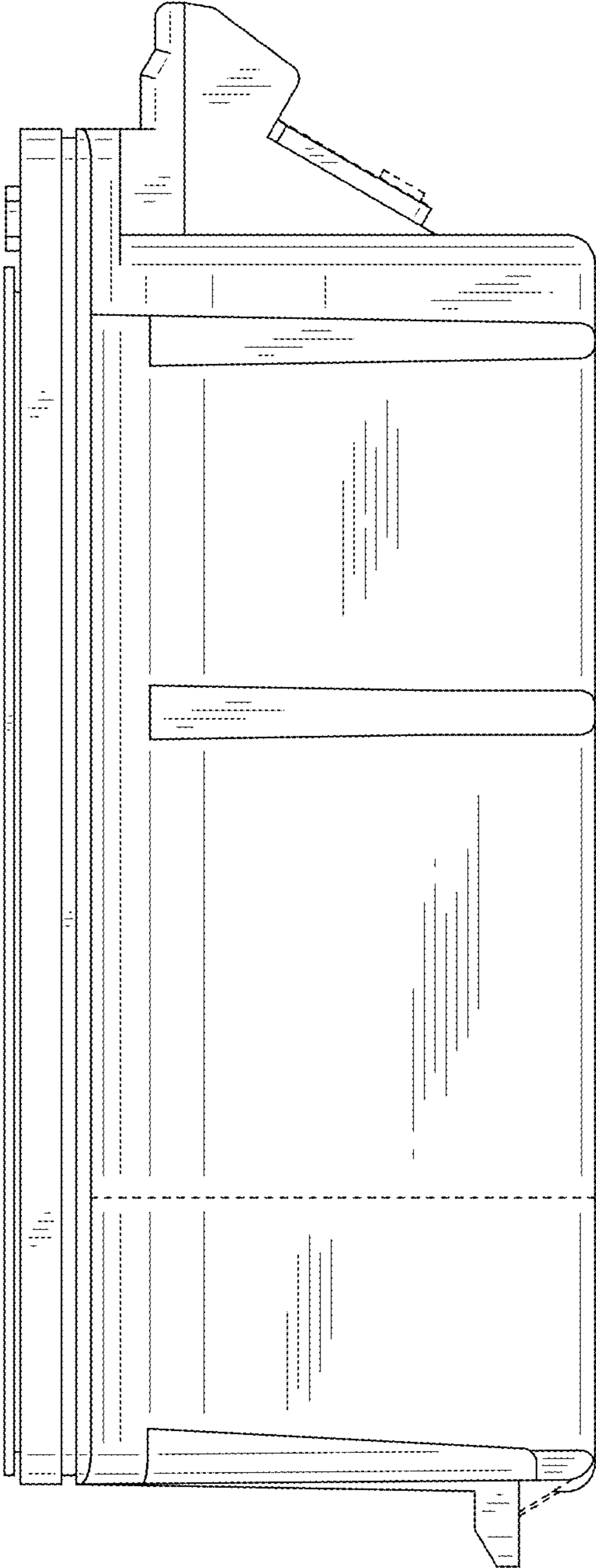


Fig.8