



US00D762768S

(12) **United States Design Patent**
Kim et al.

(10) **Patent No.:** **US D762,768 S**
(45) **Date of Patent:** **** Aug. 2, 2016**

(54) **PAPER GUIDE FOR MULTI-FUNCTION PRINTER**

(71) Applicant: **Samsung Electronics Co., Ltd.**,
Suwon-si (KR)

(72) Inventors: **Kyong-Hwan Kim**, Seoul (KR); **Naoto Fukasawa**, Tokyo (JP); **Isogai Yoshitaka**, Seongnam-si (KR); **Min-Chul Kim**, Seoul (KR); **Seung-Wook Jeong**, Seoul (KR)

(73) Assignee: **Samsung Electronics Co., Ltd.**,
Suwon-si (KR)

(**) Term: **14 Years**

(21) Appl. No.: **29/517,995**

(22) Filed: **Feb. 19, 2015**

(30) **Foreign Application Priority Data**

Sep. 1, 2014 (KR) 30-2014-0042656

(51) **LOC (10) Cl.** **18-99**

(52) **U.S. Cl.**
USPC **D18/49**

(58) **Field of Classification Search**
USPC D18/36-41, 44-56; D14/462-471;
271/3.14, 8.1, 226, 278; 355/97, 99;
399/1-7, 16, 75, 81, 107, 130, 151,
399/361, 365, 367, 381-383, 388
CPC B65H 11/00; B65H 11/002; B65H
2301/331; B65H 29/46; G03B 27/04; G03B
27/08; G03B 27/14; G03B 27/16; G03G
15/04; G03G 15/23; G03G 15/28; G03G
15/50; G03G 15/60; G03G 15/65; G03G
15/221; G03G 15/5075; G03G 15/6558;
H04N 1/00602; H04N 1/00631

See application file for complete search history.

(56) **References Cited**

U.S. PATENT DOCUMENTS

D273,868 S * 5/1984 Dorman D18/49
D293,334 S * 12/1987 Humbert D18/12

(Continued)

FOREIGN PATENT DOCUMENTS

KR 30-2012-0029153 5/2013
KR 30-2013-0031733 3/2014

Primary Examiner — Philip S Hyder

Assistant Examiner — Ramzi Almatrahi

(74) *Attorney, Agent, or Firm* — NSIP Law

(57) **CLAIM**

We claim the ornamental design for a paper guide for multi-function printer, as shown and described.

DESCRIPTION

FIG. 1 is a front perspective view of a paper guide for multi-function printer showing our new design;

FIG. 2 is a front view thereof;

FIG. 3 is a rear view thereof;

FIG. 4 is a left-side view thereof;

FIG. 5 is a right-side view thereof;

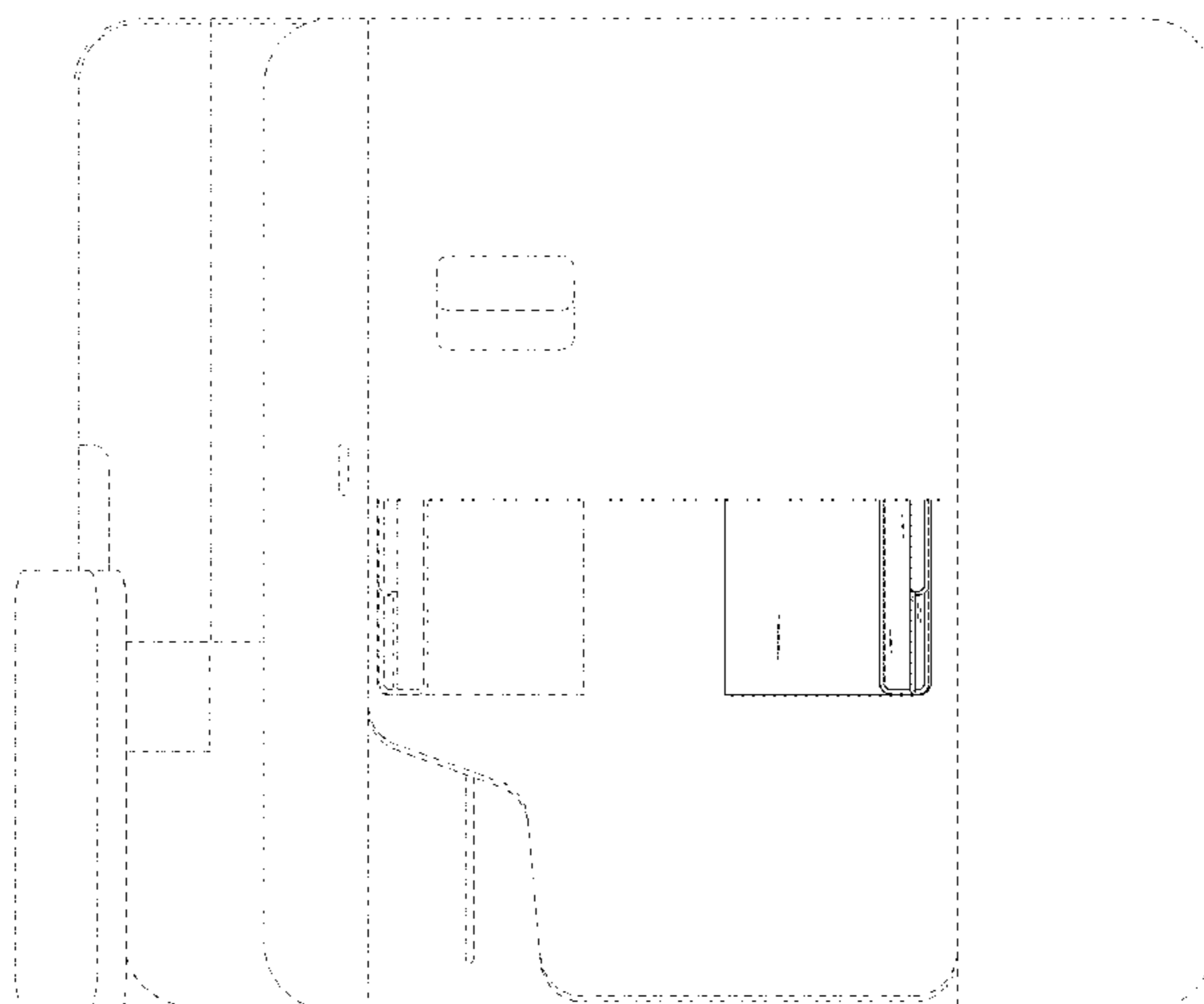
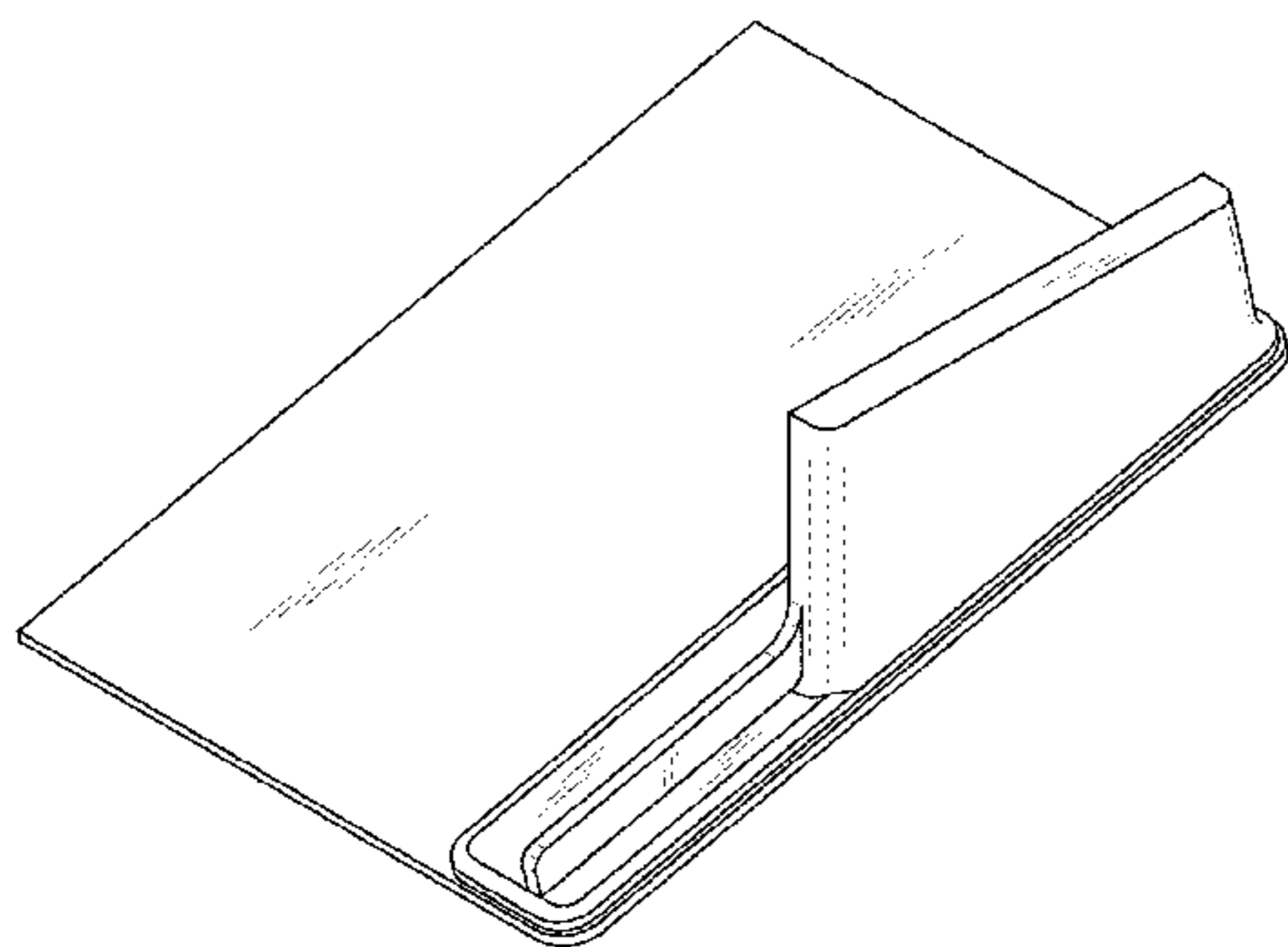
FIG. 6 is a top view thereof;

FIG. 7 is a bottom view thereof; and,

FIG. 8 is a reduced top view thereof, shown in condition of use with a multi-function printer disclosed in broken lines to illustrate an environment.

The broken lines depicted in FIG. 8 are included for the purpose of illustrating environmental subject matter and form no part of the claimed design.

1 Claim, 5 Drawing Sheets



(56)

References Cited

U.S. PATENT DOCUMENTS

D297,335 S * 8/1988 Atwell D19/86
D436,122 S * 1/2001 Isomoto D18/49
D494,185 S * 8/2004 Rowell D14/471
D528,149 S * 9/2006 Asada D18/49
D528,150 S * 9/2006 Asada D18/49
D528,592 S * 9/2006 Asada D18/49

D529,951 S 10/2006 Katayama et al.
D635,184 S * 3/2011 Suito D18/56
D651,235 S * 12/2011 Fan D18/49
D667,017 S * 9/2012 Tani D14/463
D697,966 S * 1/2014 Fukasawa D18/55
2005/0111895 A1* 5/2005 Bowen G03G 15/6502
399/383

* cited by examiner

FIG. 1

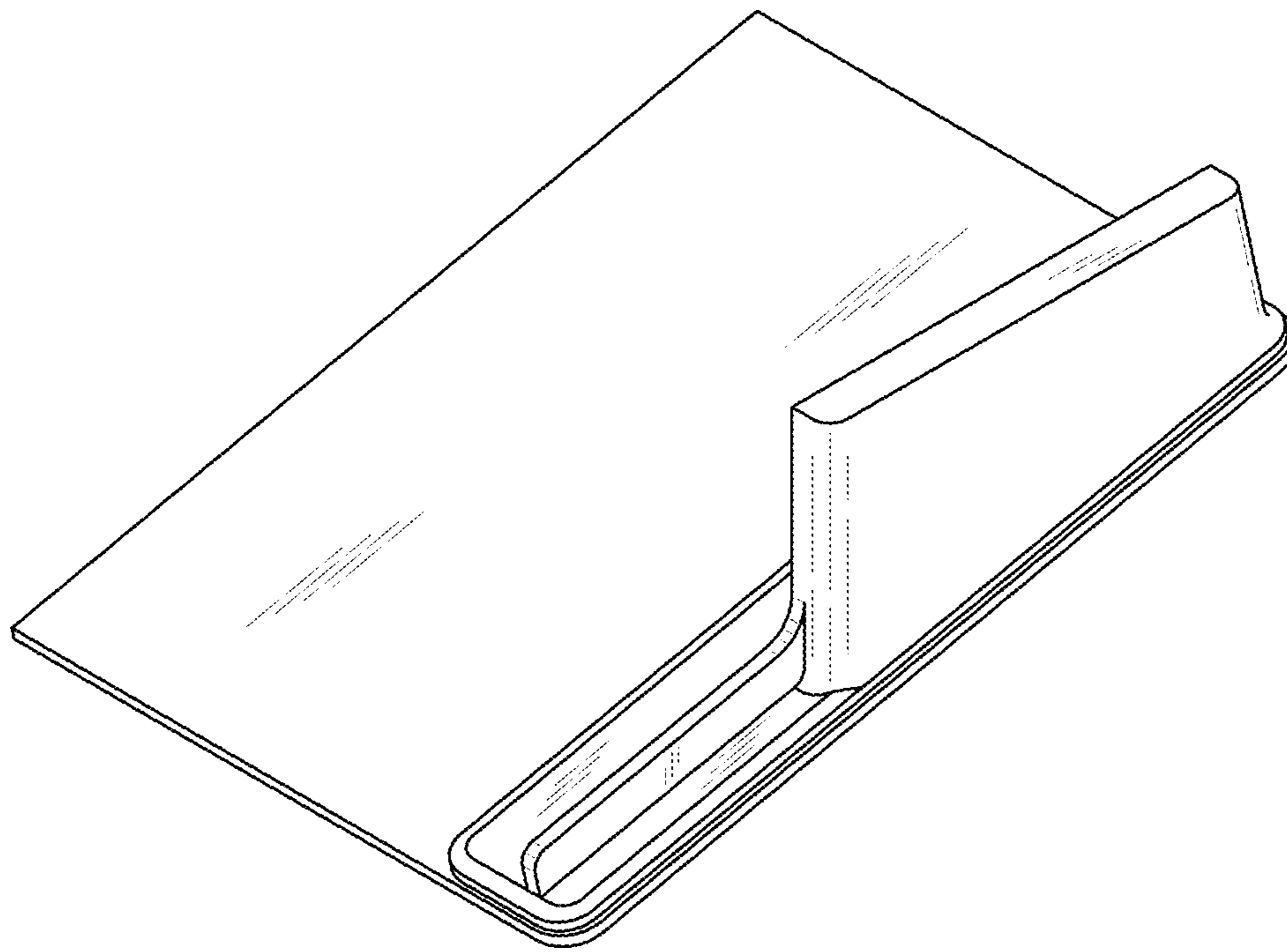


FIG.2

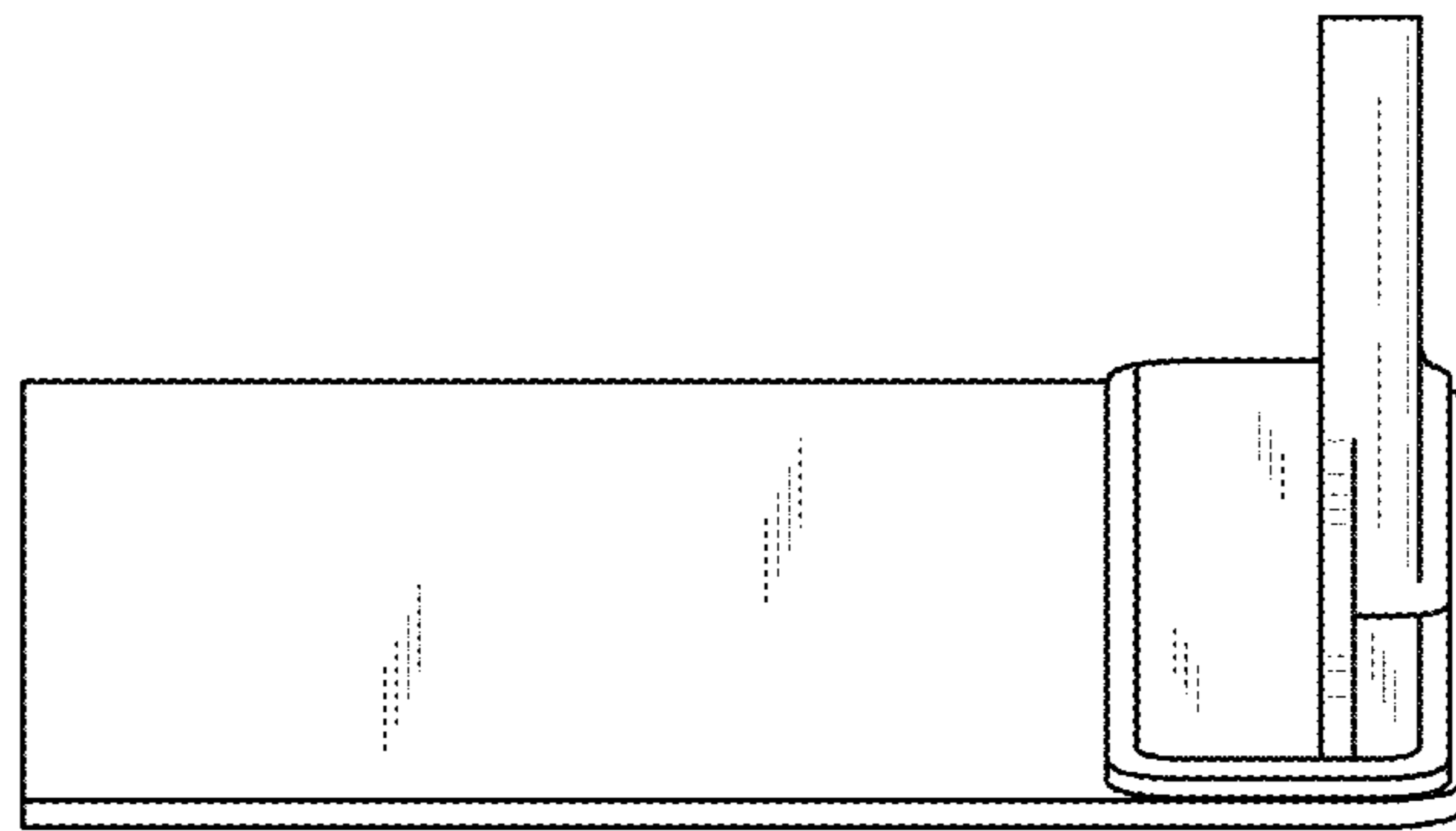


FIG.3

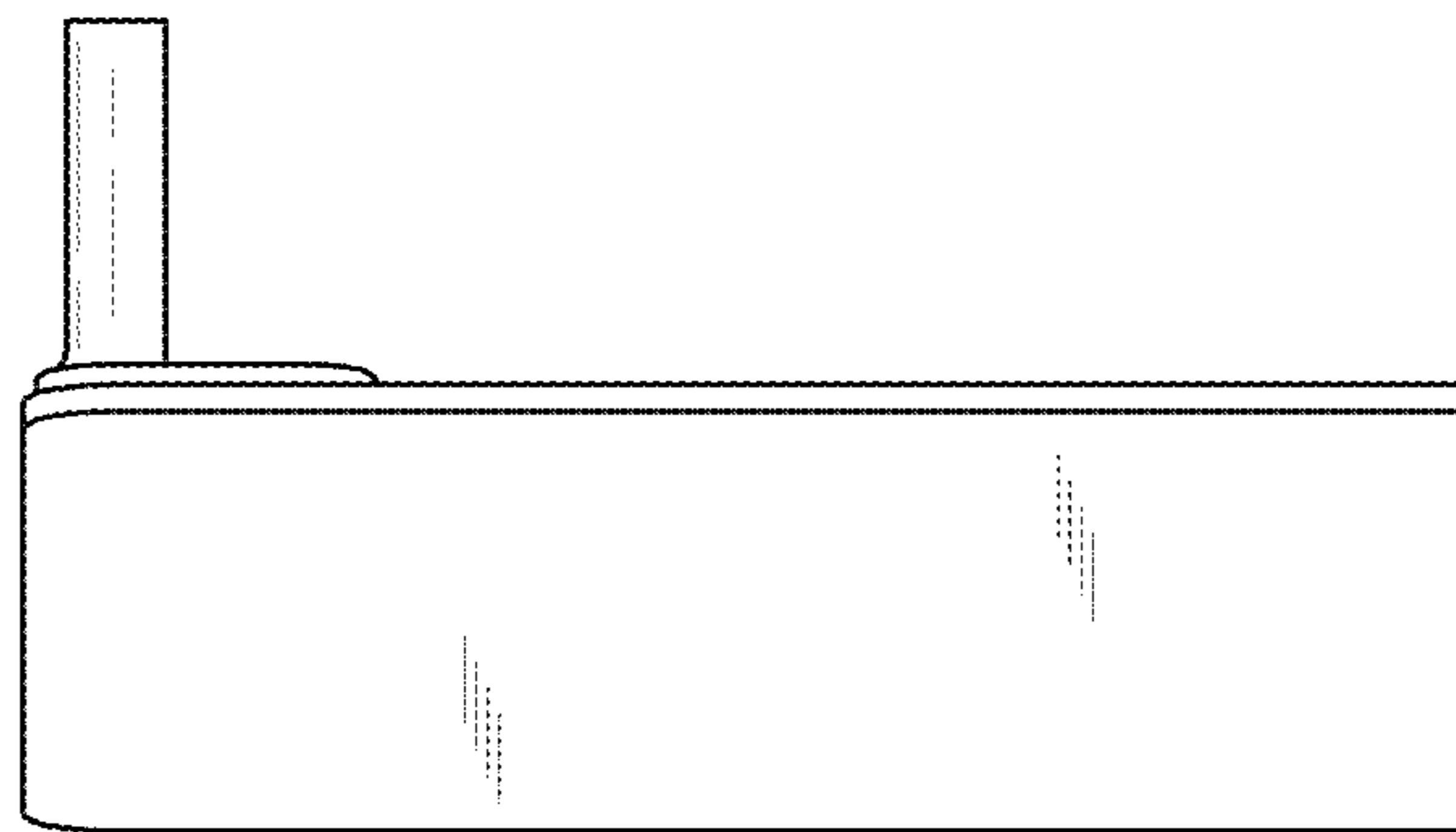


FIG.4

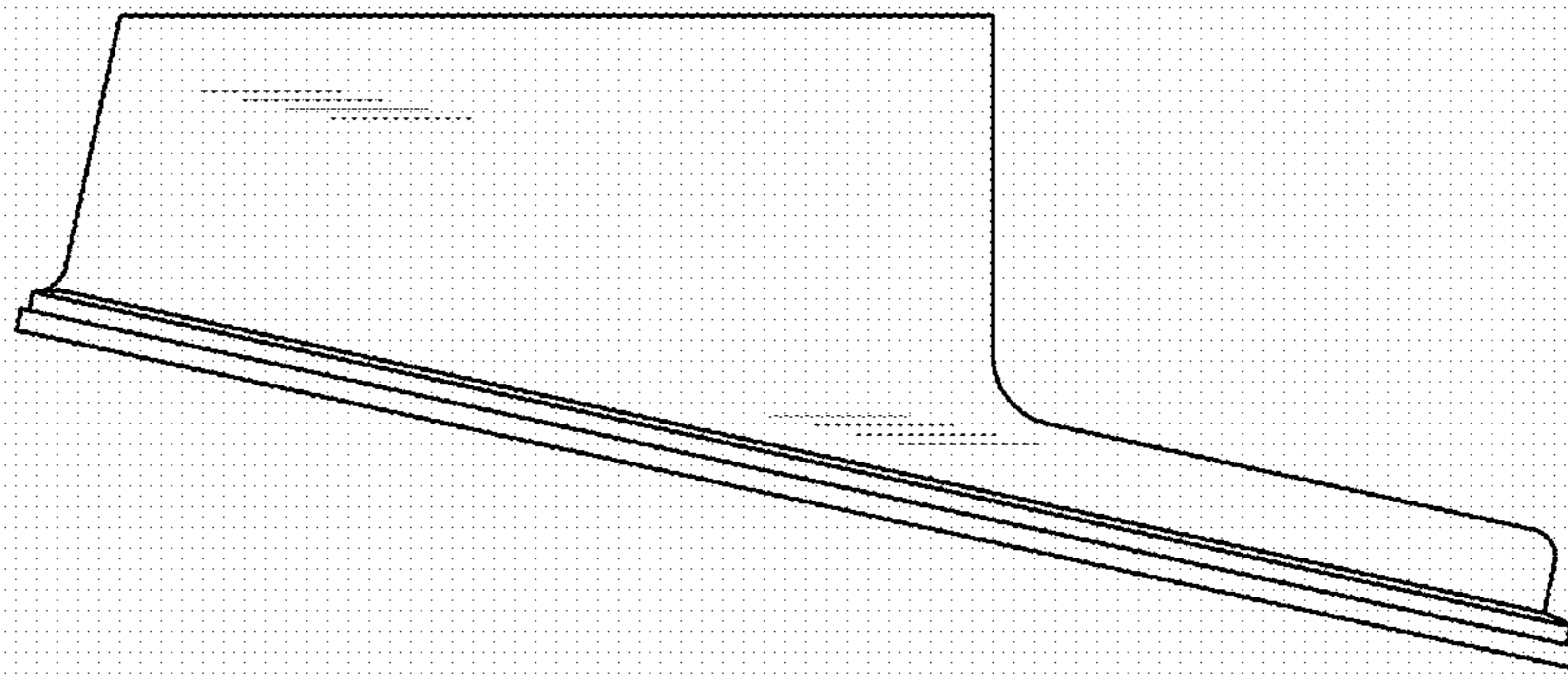


FIG.5

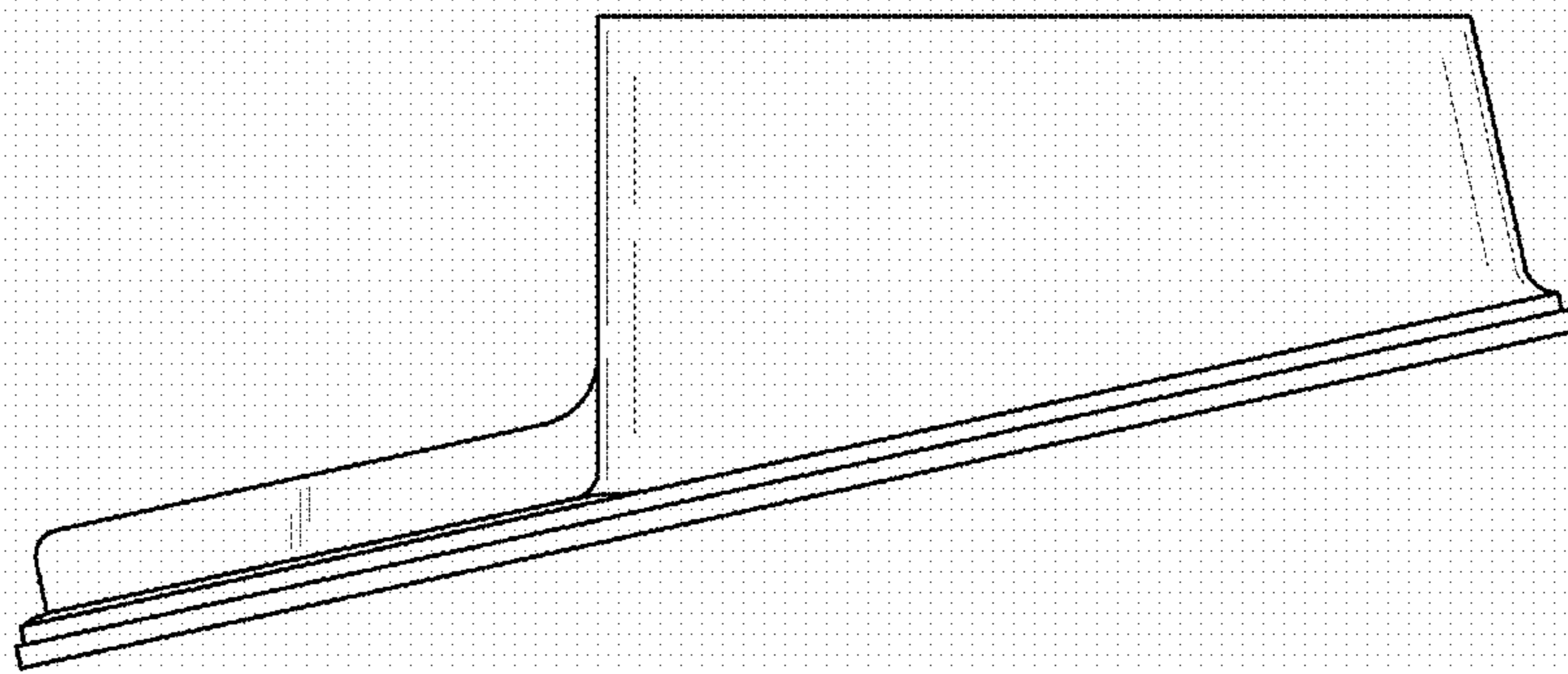


FIG.6

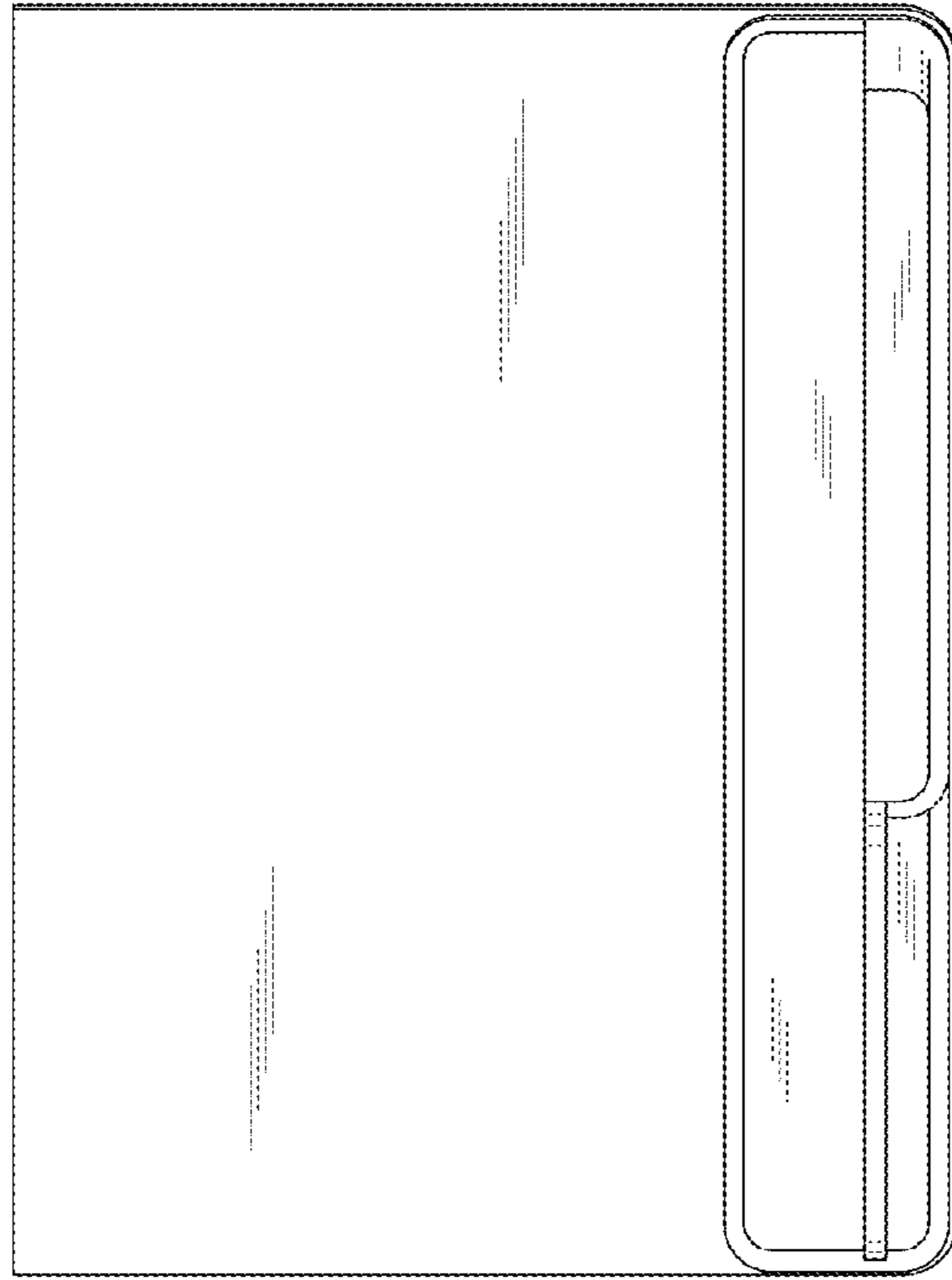


FIG.7

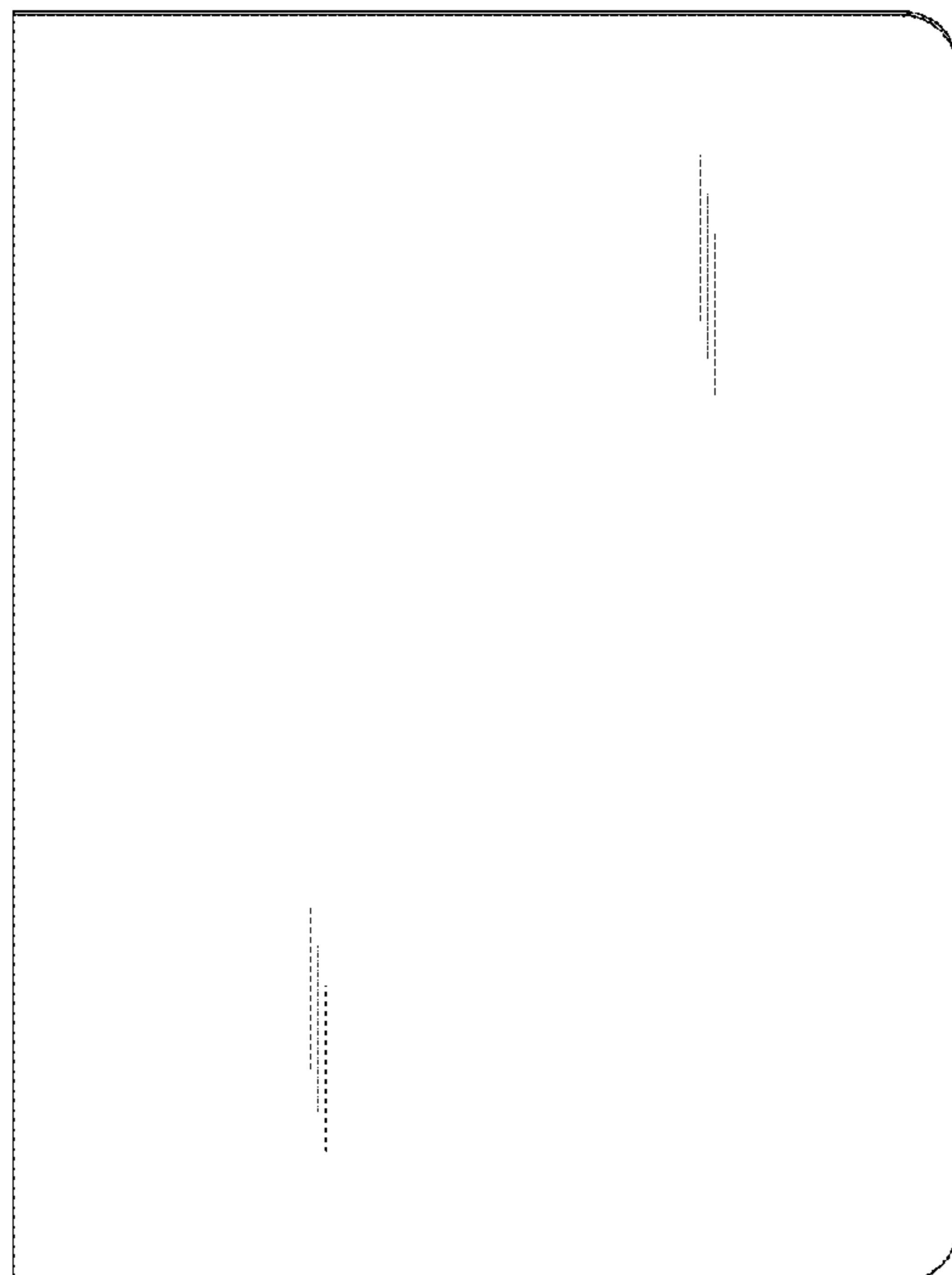


FIG.8

