

US00D762767S

(12) **United States Design Patent**  
**Tevel**

(10) **Patent No.:** **US D762,767 S**  
(45) **Date of Patent:** **\*\* Aug. 2, 2016**

(54) **STAMP CASE**

(71) Applicant: **Wolter Corp.**, Bay Shore, NY (US)

(72) Inventor: **Guy Tevel**, Ramat-Gan, IL (US)

(73) Assignee: **WOLTER CORP.**, Bay Shore, NY (US)

(\*\*) Term: **14 Years**

(21) Appl. No.: **29/524,058**

(22) Filed: **Apr. 16, 2015**

(51) **LOC (10) Cl.** ..... **19-02**

(52) **U.S. Cl.**  
USPC ..... **D18/15**

(58) **Field of Classification Search**  
USPC ..... D18/15, 16, 17, 18, 50; D19/65-68, 70,  
D19/71; D3/203.1, 203.3, 206, 274, 298,  
D3/300, 302; D28/73, 77, 91; D24/216,  
D24/224-227

CPC ..... B41K 1/00; B41K 1/006; B41K 1/02;  
B41K 1/08; B41K 1/40; B41K 1/42; B41K  
1/52; B41K 1/54; B41K 1/56; B41K 1/10;  
B41K 1/12; B41K 1/14; B41K 1/16  
See application file for complete search history.

(56) **References Cited**

**U.S. PATENT DOCUMENTS**

D26,484 S \* 1/1897 Uyeda ..... D18/15  
D29,302 S \* 9/1898 Brandt et al. .... D1/121  
D183,777 S \* 10/1958 Brightbill ..... D13/104  
D258,266 S \* 2/1981 Curran ..... D24/224  
4,387,805 A \* 6/1983 Lanius ..... F41B 5/14

206/230  
D375,516 S \* 11/1996 Winston ..... D18/17  
D381,512 S \* 7/1997 Green ..... D3/273  
D382,974 S \* 8/1997 Lahm ..... D24/216  
D394,550 S \* 5/1998 Tanji ..... D3/273  
5,899,142 A \* 5/1999 Suda ..... B41K 1/02  
101/125  
D526,478 S \* 8/2006 Priebe ..... D3/203.3  
D585,933 S \* 2/2009 Mita ..... D18/18  
D657,473 S \* 4/2012 Miyashita ..... D24/224

**FOREIGN PATENT DOCUMENTS**

JP D1109611 \* 5/2001  
WO D050166-003 \* 2/2000

\* cited by examiner

*Primary Examiner* — Bridget L Eland  
*Assistant Examiner* — Lauren McVey

(74) *Attorney, Agent, or Firm* — Scully, Scott, Murphy & Presser, P.C.

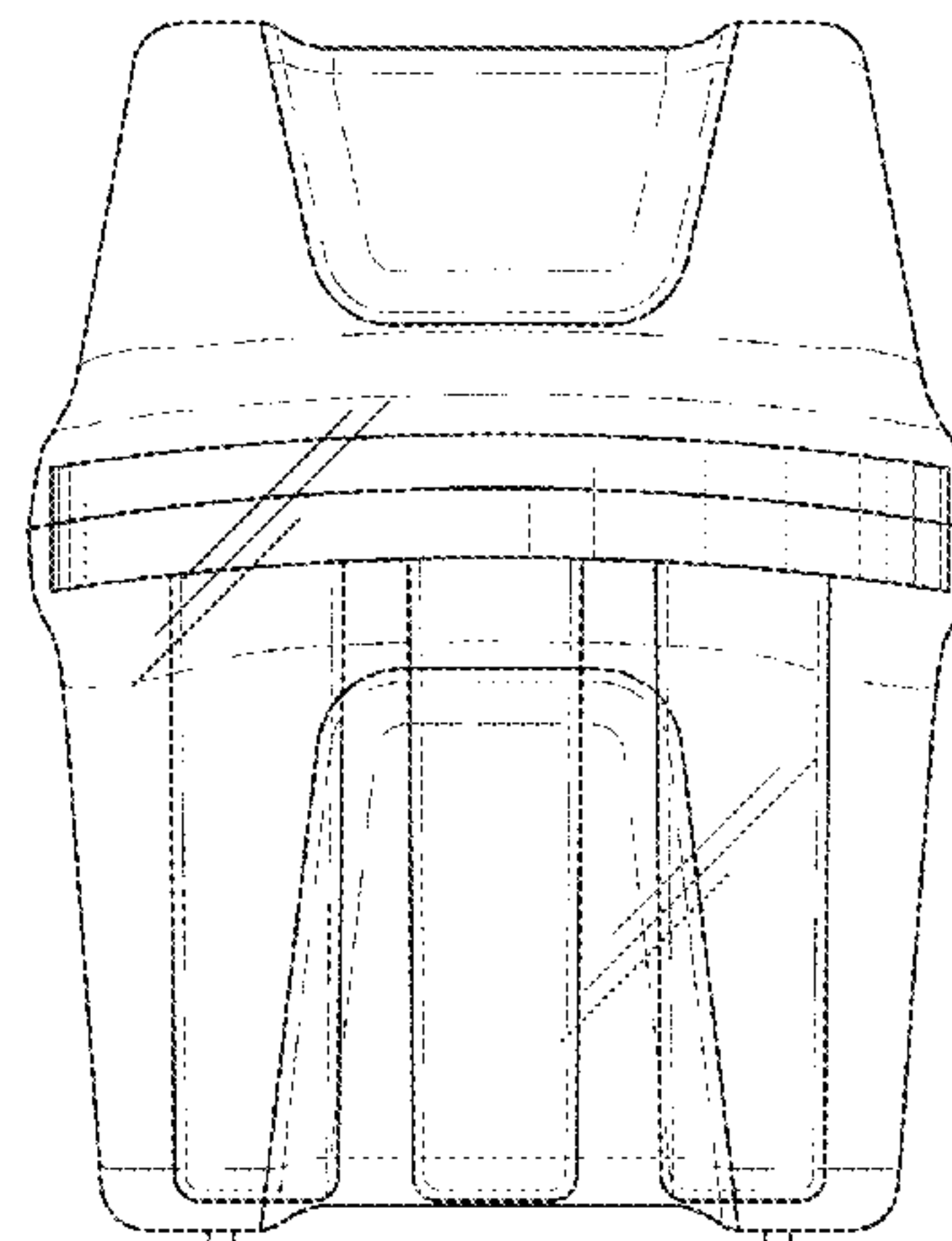
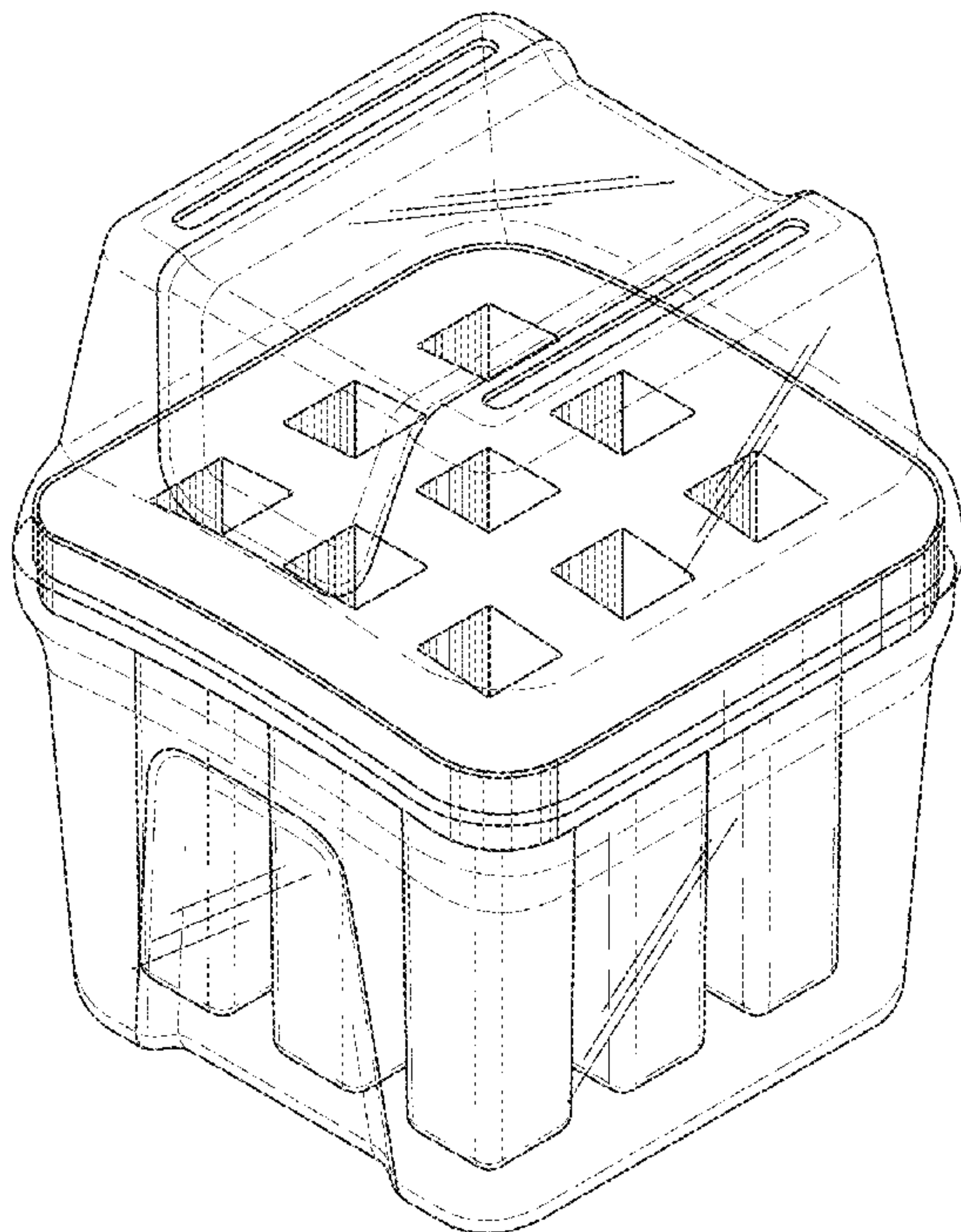
(57) **CLAIM**

The ornamental design for a stamp case, as shown and described.

**DESCRIPTION**

FIG. 1 is a perspective view of a stamp case, showing my new design;  
FIG. 2 is a top plan view thereof;  
FIG. 3 is a bottom plan view thereof;  
FIG. 4 is a front elevational view thereof; the rear elevational view being identical to FIG. 4; and,  
FIG. 5 is a right side elevational view thereof; the left side elevational view being identical to FIG. 5.

**1 Claim, 4 Drawing Sheets**



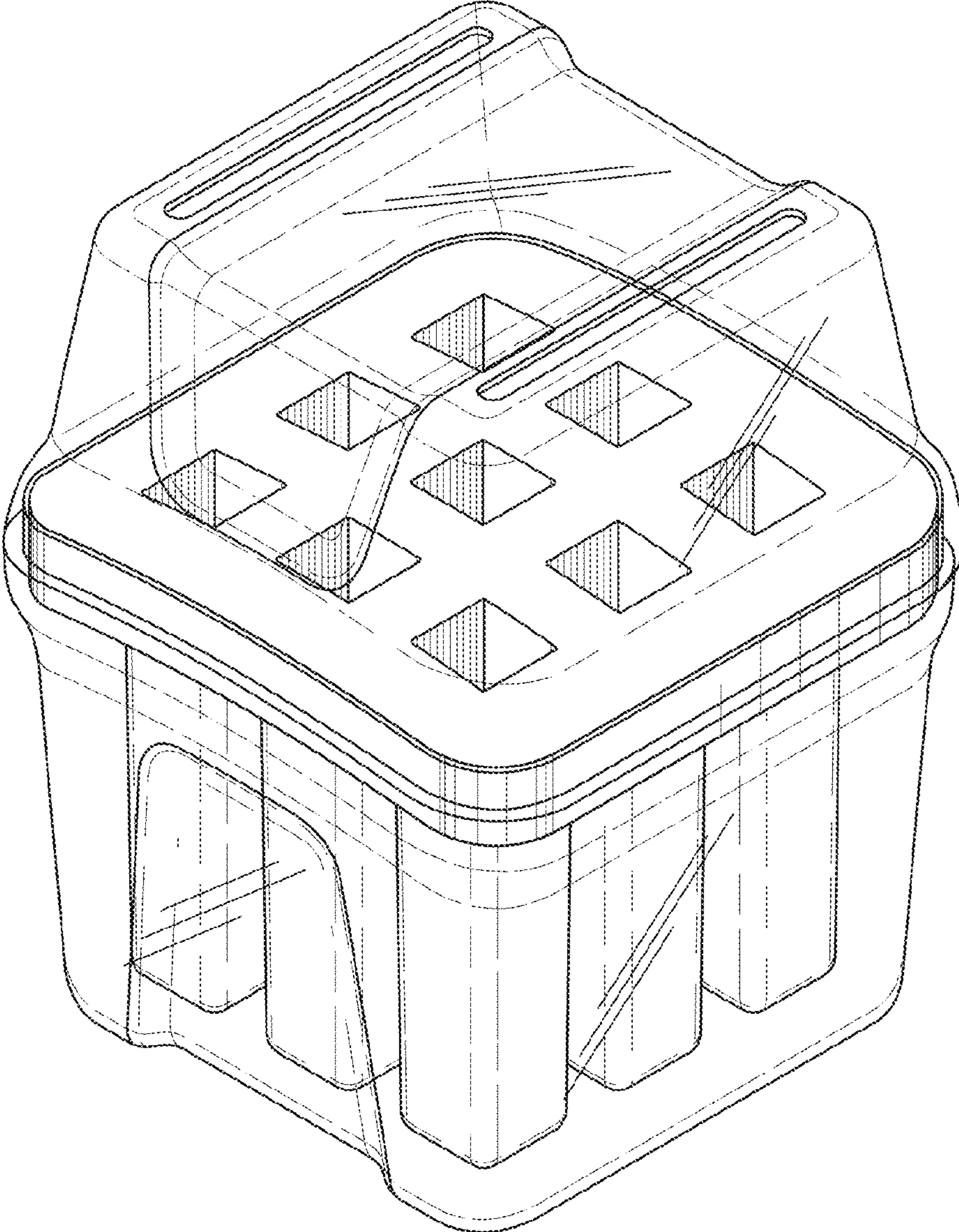


Fig. 1



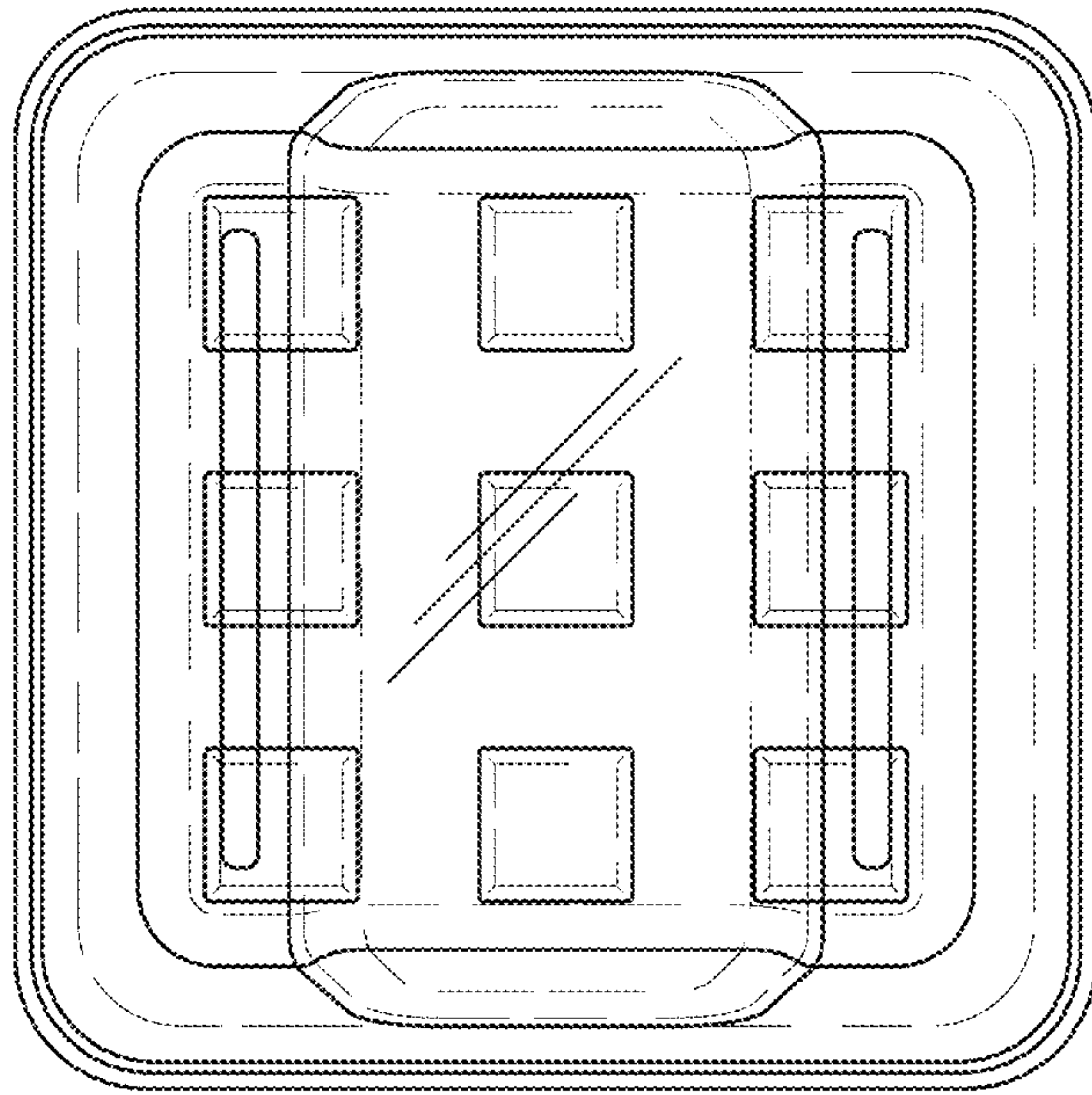


Fig.2

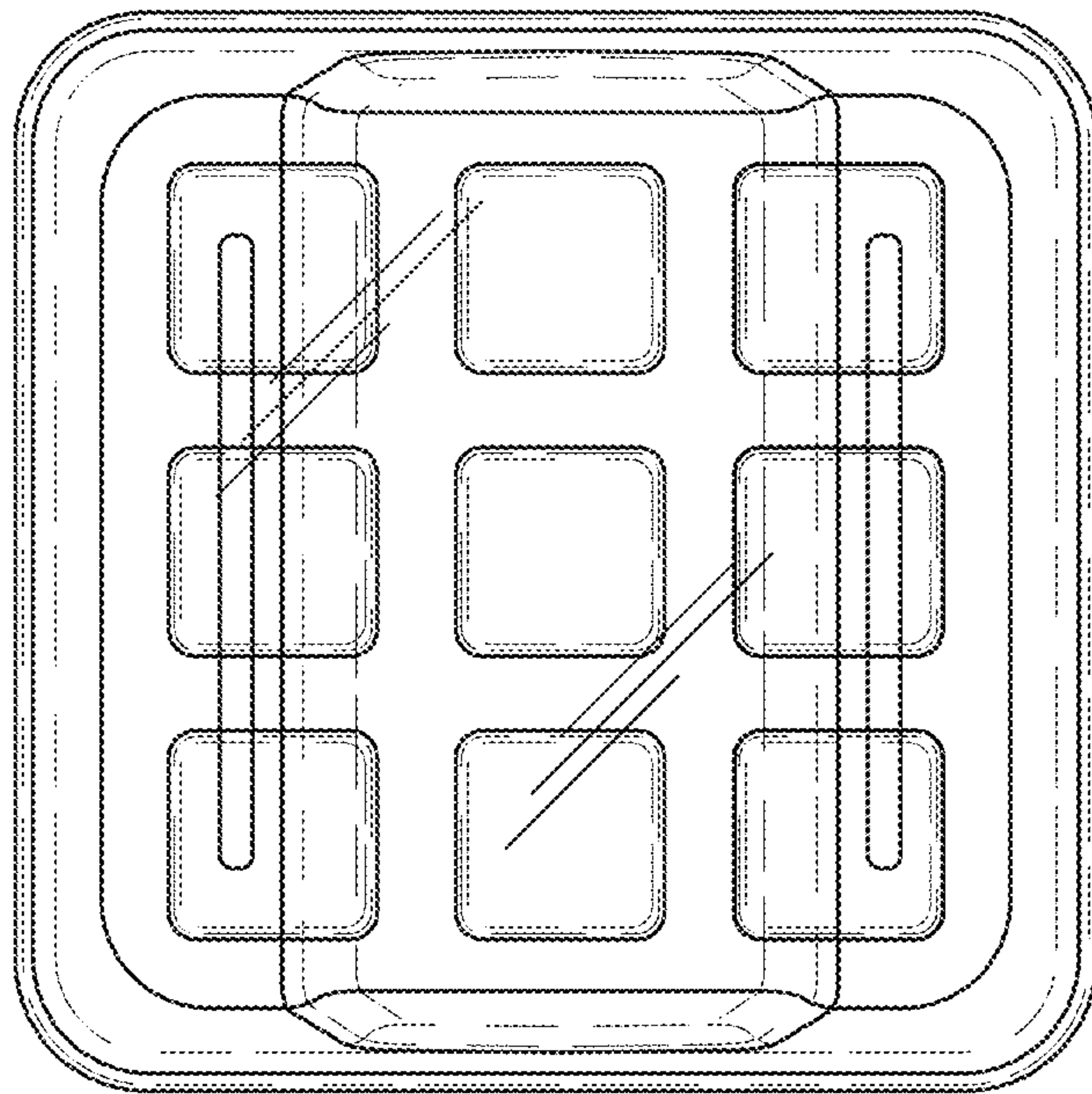


Fig.3

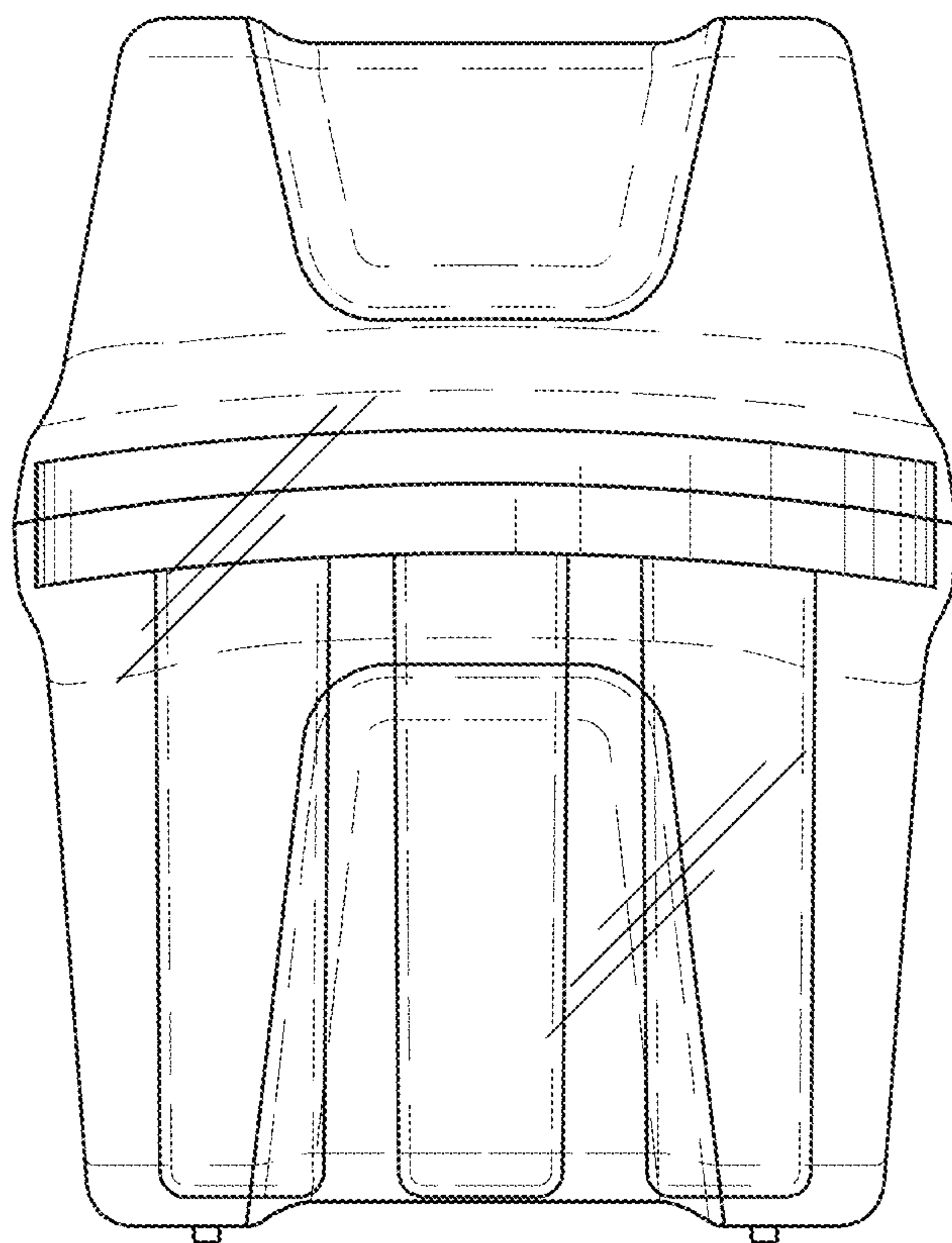


Fig.4

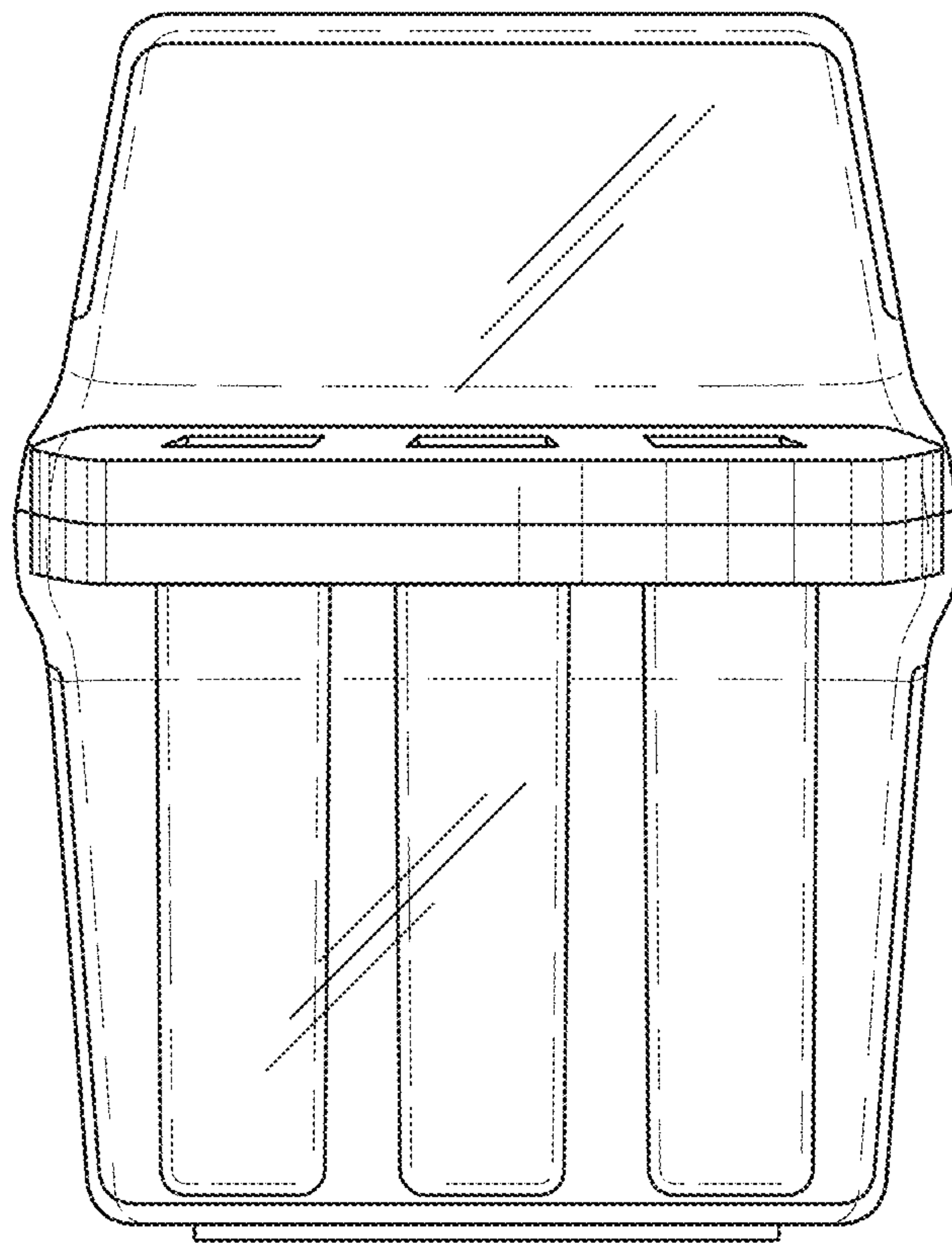


Fig.5