

US00D762766S

(12) **United States Design Patent**
Bedier et al.

(10) **Patent No.:** **US D762,766 S**

(45) **Date of Patent:** **** Aug. 2, 2016**

(54) **PAYMENT TERMINAL**

(71) Applicant: **Poynt Co.**, Palo Alto, CA (US)

(72) Inventors: **Osama Bedier**, Palo Alto, CA (US); **Ray Tanaka**, Palo Alto, CA (US); **Rishi Taparia**, Palo Alto, CA (US); **Ji Hyun Park**, Palo Alto, CA (US)

(73) Assignee: **Poynt Co.**, Palo Alto, CA (US)

(**) Term: **14 Years**

(21) Appl. No.: **29/507,512**

(22) Filed: **Oct. 28, 2014**

(51) **LOC (10) Cl.** **18-01**

(52) **U.S. Cl.**
USPC **D18/4.4**

(58) **Field of Classification Search**

USPC D18/4.4, 4.5, 4.6, 12, 12.1, 12.3;
D14/383, 384, 385, 386, 378
CPC G06K 19/07749; G06K 19/0723;
G06K 19/041; G06K 19/07758; G06K
19/0775; G06K 19/07783; G06K 19/07794;
G06K 19/06046; G06K 19/07722; G06K
19/07773; G06K 19/07779; G06K 19/07784;
G06K 19/07786; G06K 19/0709; G06K
7/10178; G06K 7/10336; G06K 7/1096;
G06K 13/067; G06K 13/16; G06K 17/00;
G06K 17/0006; G06K 17/0022; G06K
17/0025; G06K 19/02; G06K 19/06; G06K
19/06028; G06K 19/0614; G06K 19/06206;
G06K 19/067

See application file for complete search history.

(56) **References Cited**

U.S. PATENT DOCUMENTS

5,294,782 A 3/1994 Kumar
D391,555 S * 3/1998 Schlieffers D18/4.4
5,761,306 A 6/1998 Lewis
5,859,779 A 1/1999 Giordano et al.
D409,230 S * 5/1999 Gilbertson D18/14

D499,134 S * 11/2004 Enstrom D18/4.4
7,540,410 B2 6/2009 Templeton et al.
7,971,782 B1 7/2011 Shams
8,332,272 B2 12/2012 Fisher
8,600,881 B2 12/2013 Nguyen et al.
2004/0199470 A1 10/2004 Ferry et al.
2008/0227391 A1 9/2008 Rosenberg
2010/0274688 A1 10/2010 Hammad
2013/0226815 A1 8/2013 Ibasco et al.
2013/0254053 A1 9/2013 Hayhow et al.
2014/0006190 A1 1/2014 Loomis et al.

* cited by examiner

Primary Examiner — Daniel Bui

Assistant Examiner — Khawaja Anwar

(74) *Attorney, Agent, or Firm* — Jeffrey Schox; Diana Lin

(57) **CLAIM**

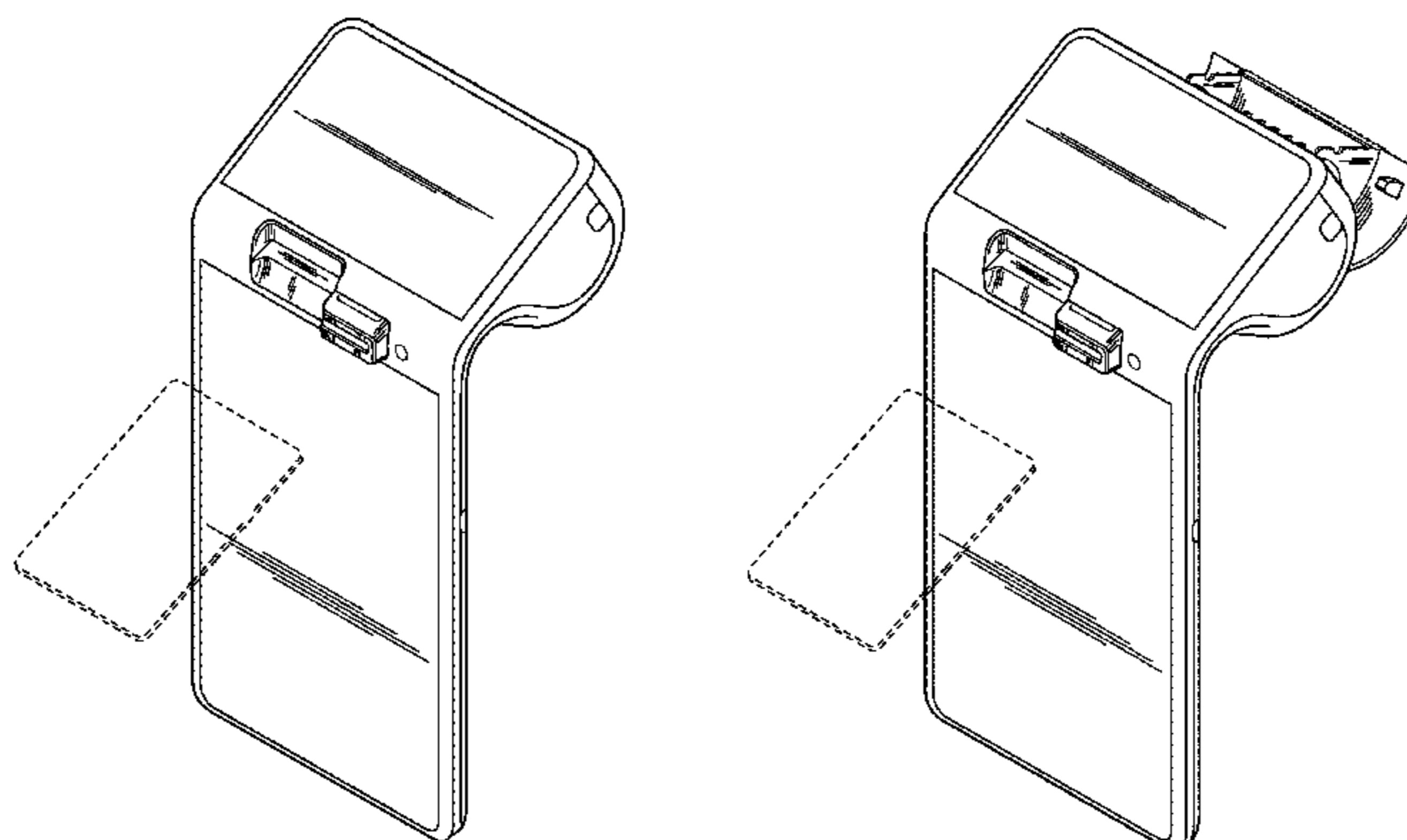
We claim the ornamental design for a payment terminal, as shown and described.

DESCRIPTION

FIG. 1 is a top right perspective view of a payment terminal in a closed configuration, showing our new design;
FIG. 2 is a bottom left perspective view thereof;
FIG. 3 is a right side elevation view thereof;
FIG. 4 is a left side elevation view thereof;
FIG. 5 is a front elevation view thereof;
FIG. 6 is a back elevation view thereof;
FIG. 7 is a top plan view thereof;
FIG. 8 is a bottom plan view thereof;
FIG. 9 is a top right perspective view of a payment terminal in an open configuration;
FIG. 10 is a bottom left perspective view thereof;
FIG. 11 is a right side elevation view thereof;
FIG. 12 is a left side elevation view thereof;
FIG. 13 is a front elevation view thereof;
FIG. 14 is a back elevation view thereof;
FIG. 15 is a top plan view thereof; and,
FIG. 16 is a bottom plan view thereof.

The broken line in the figure drawings represents unclaimed environment only and forms no part of the claimed design.

1 Claim, 14 Drawing Sheets



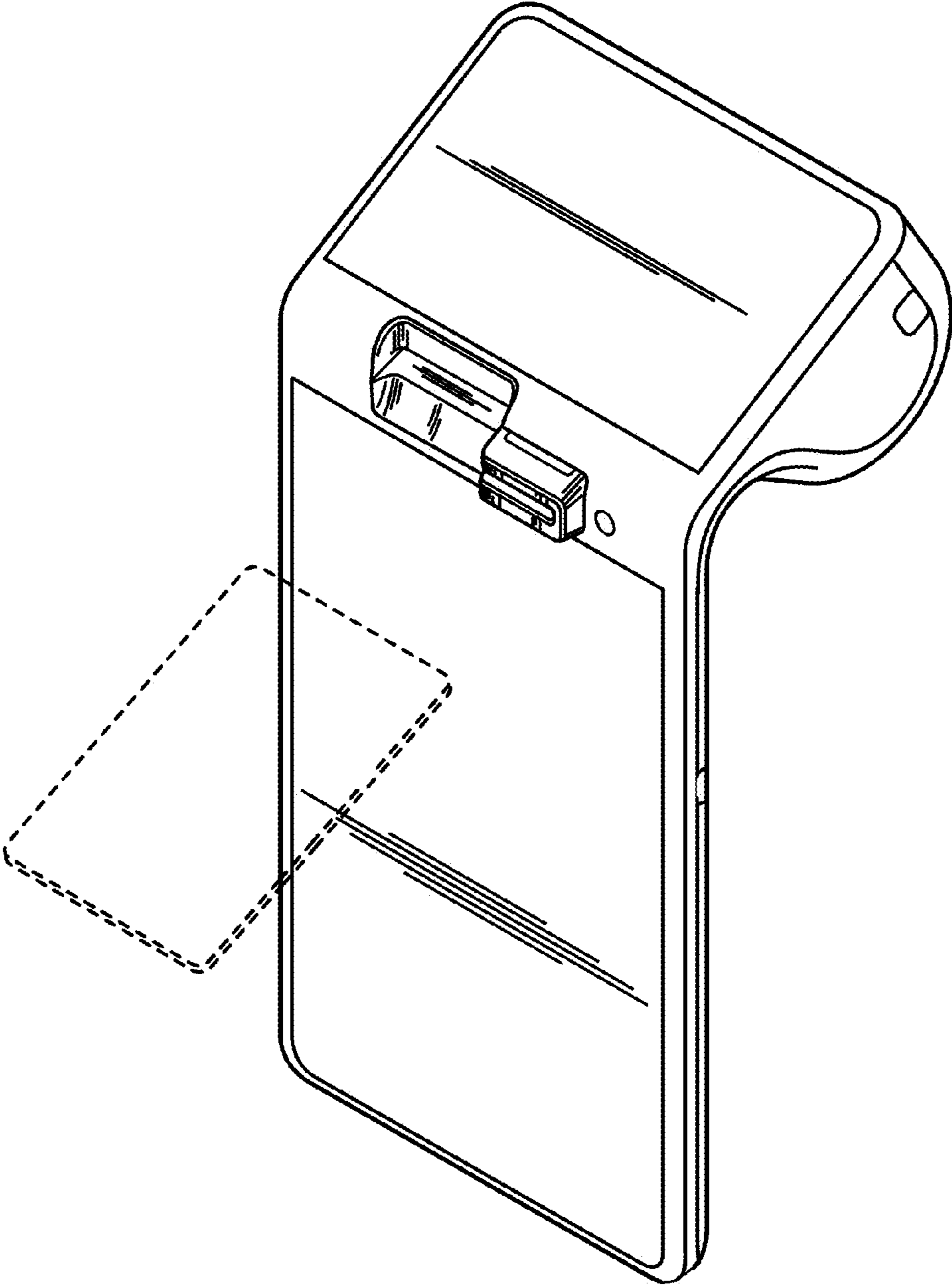


FIG. 1

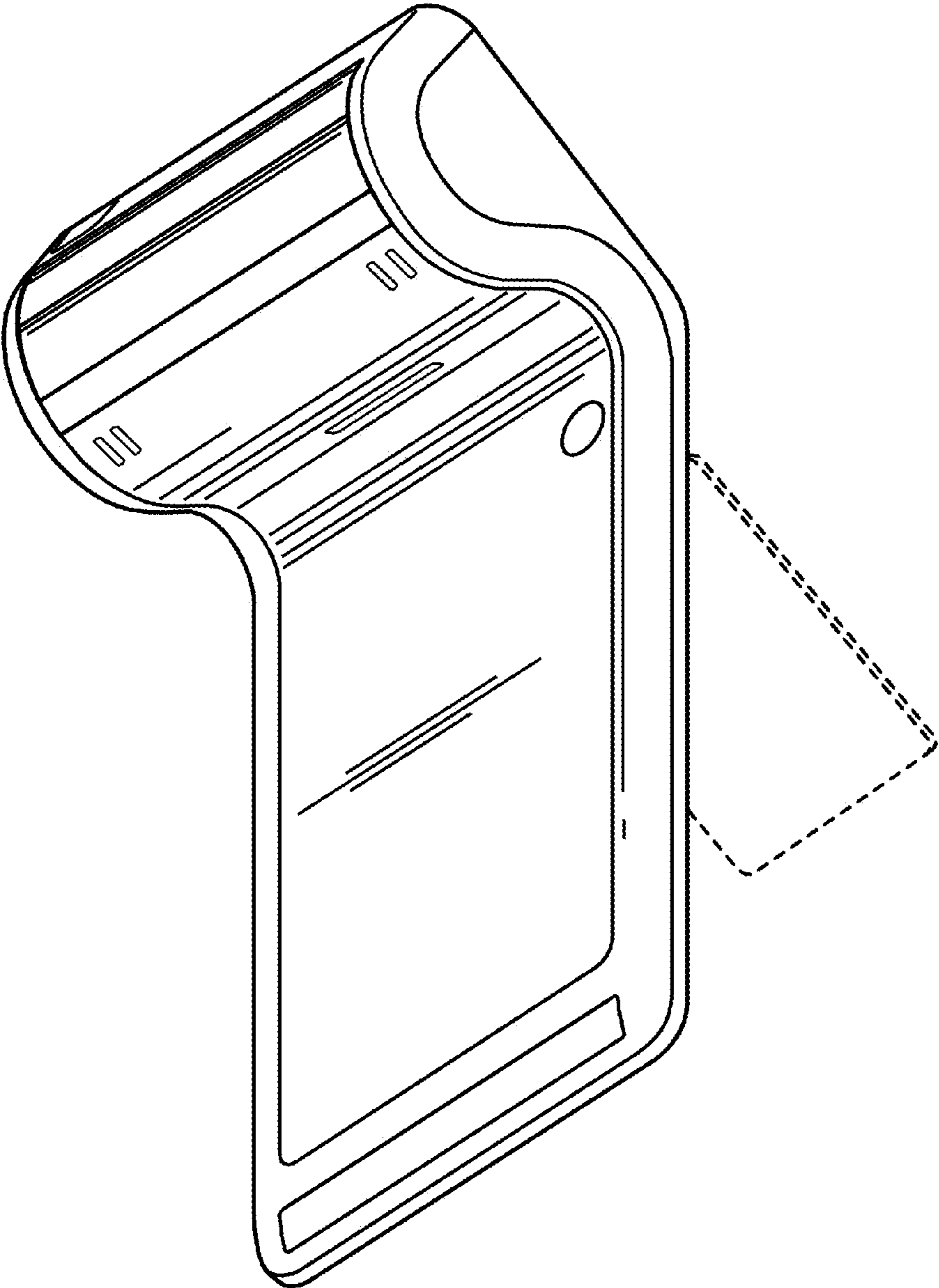


FIG. 2

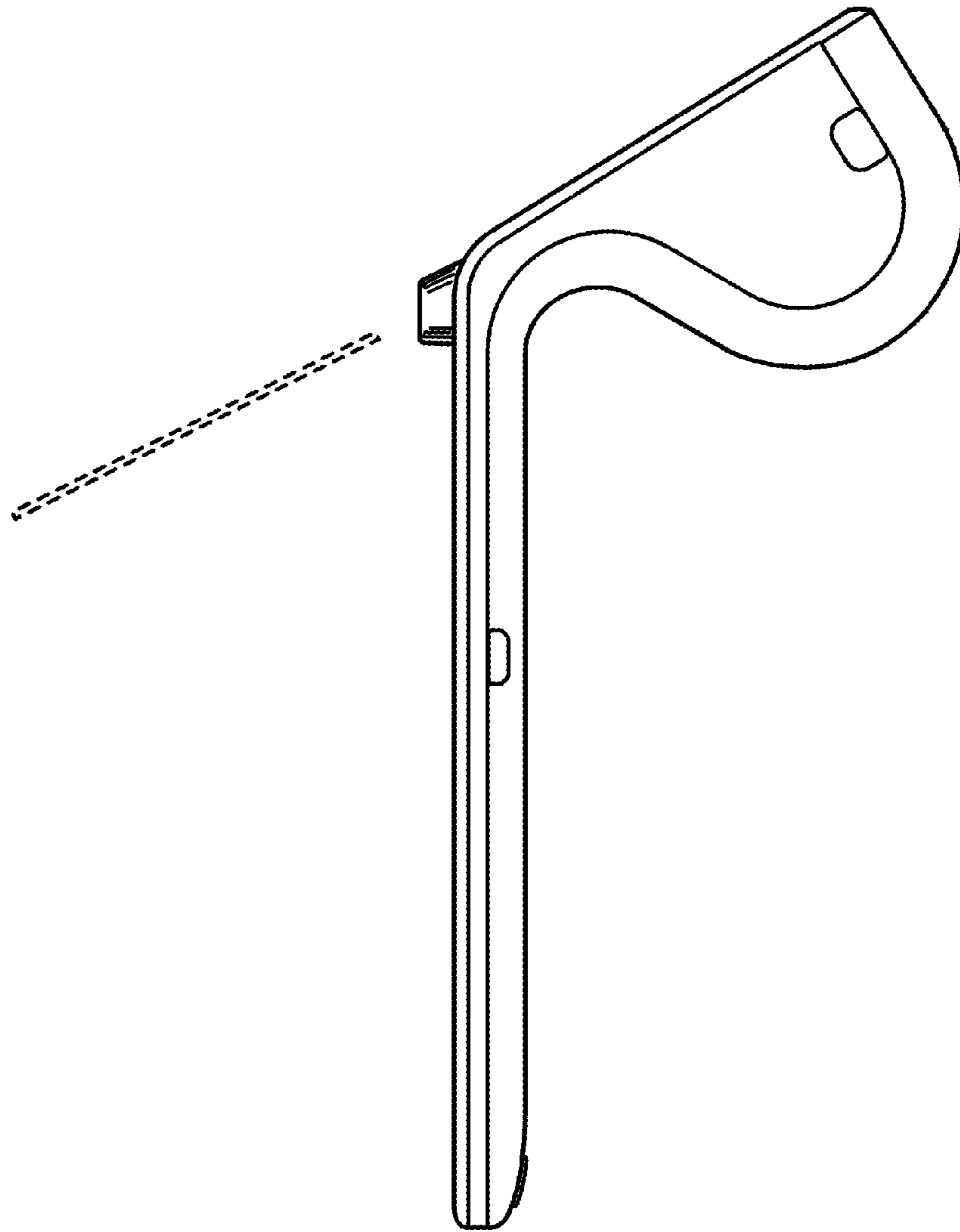


FIG. 3

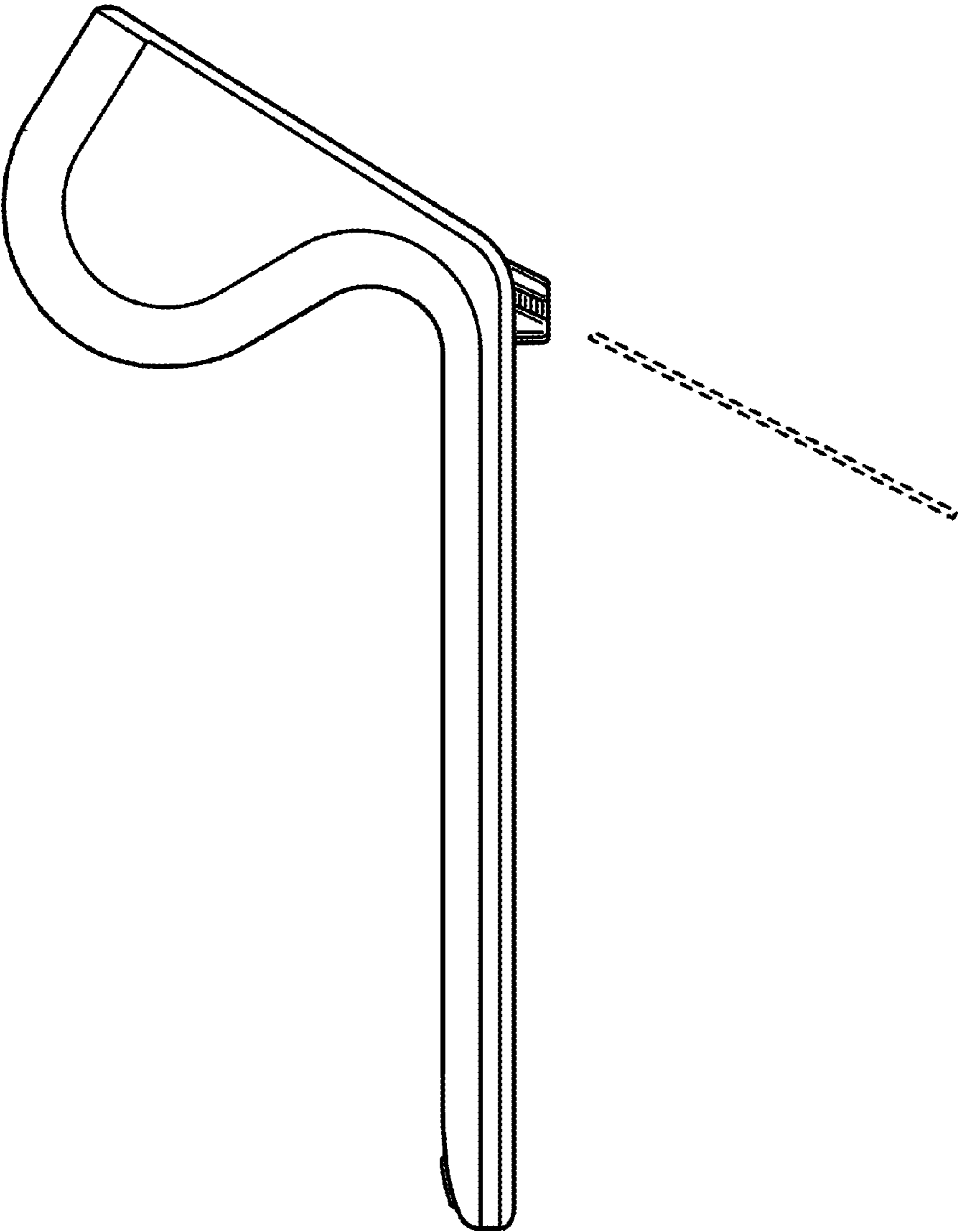


FIG. 4

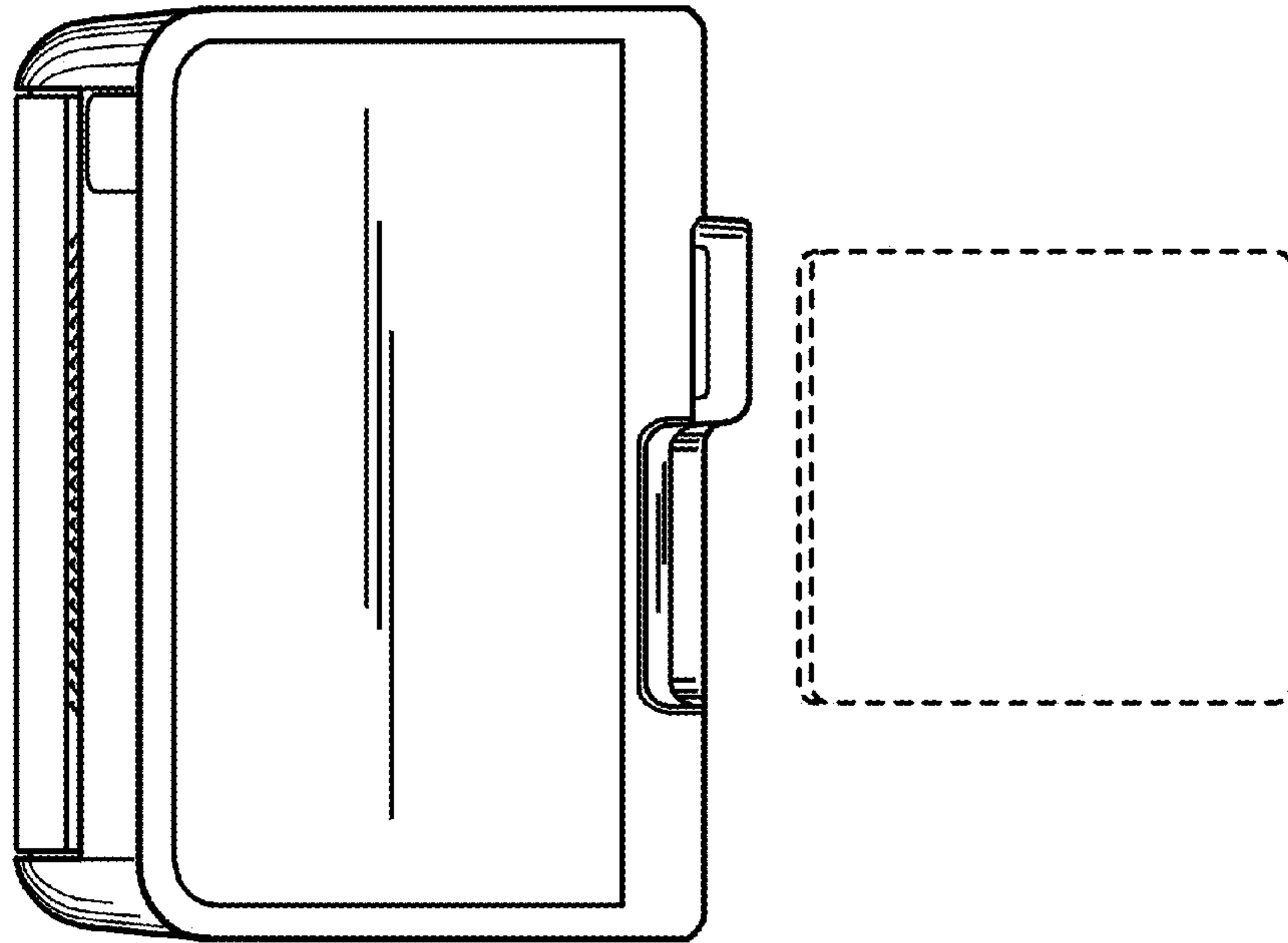


FIG. 5

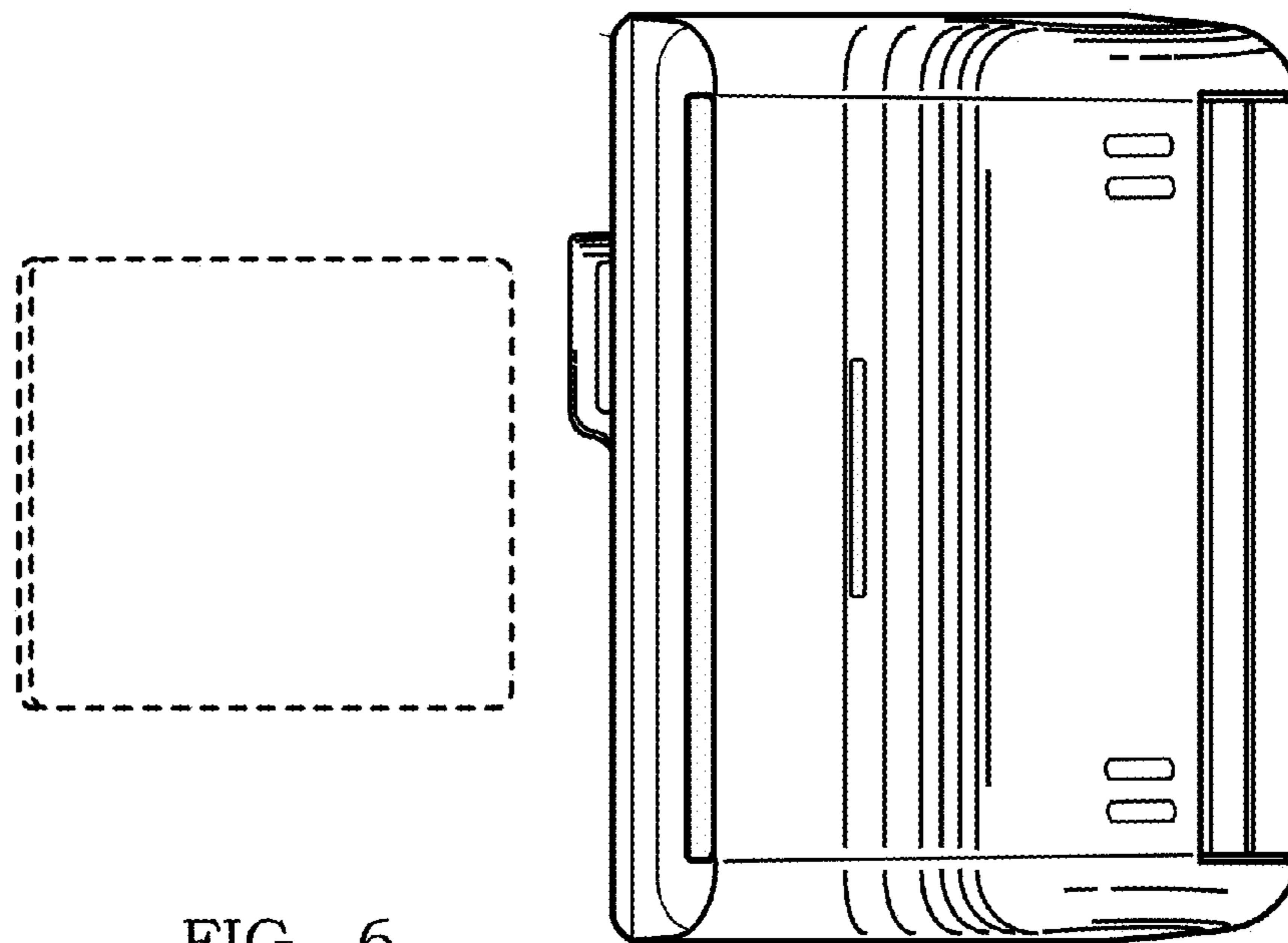


FIG. 6

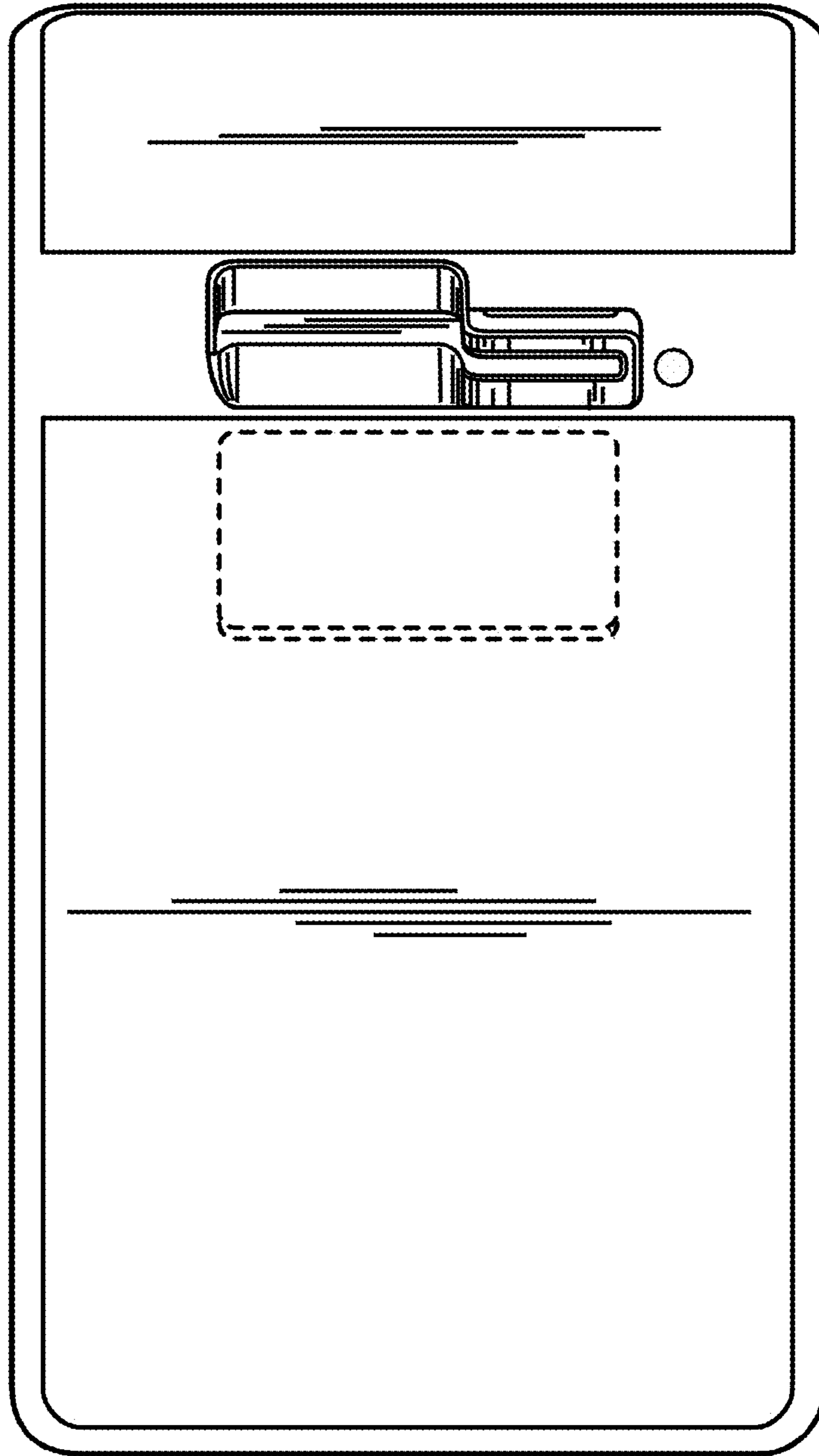


FIG. 7

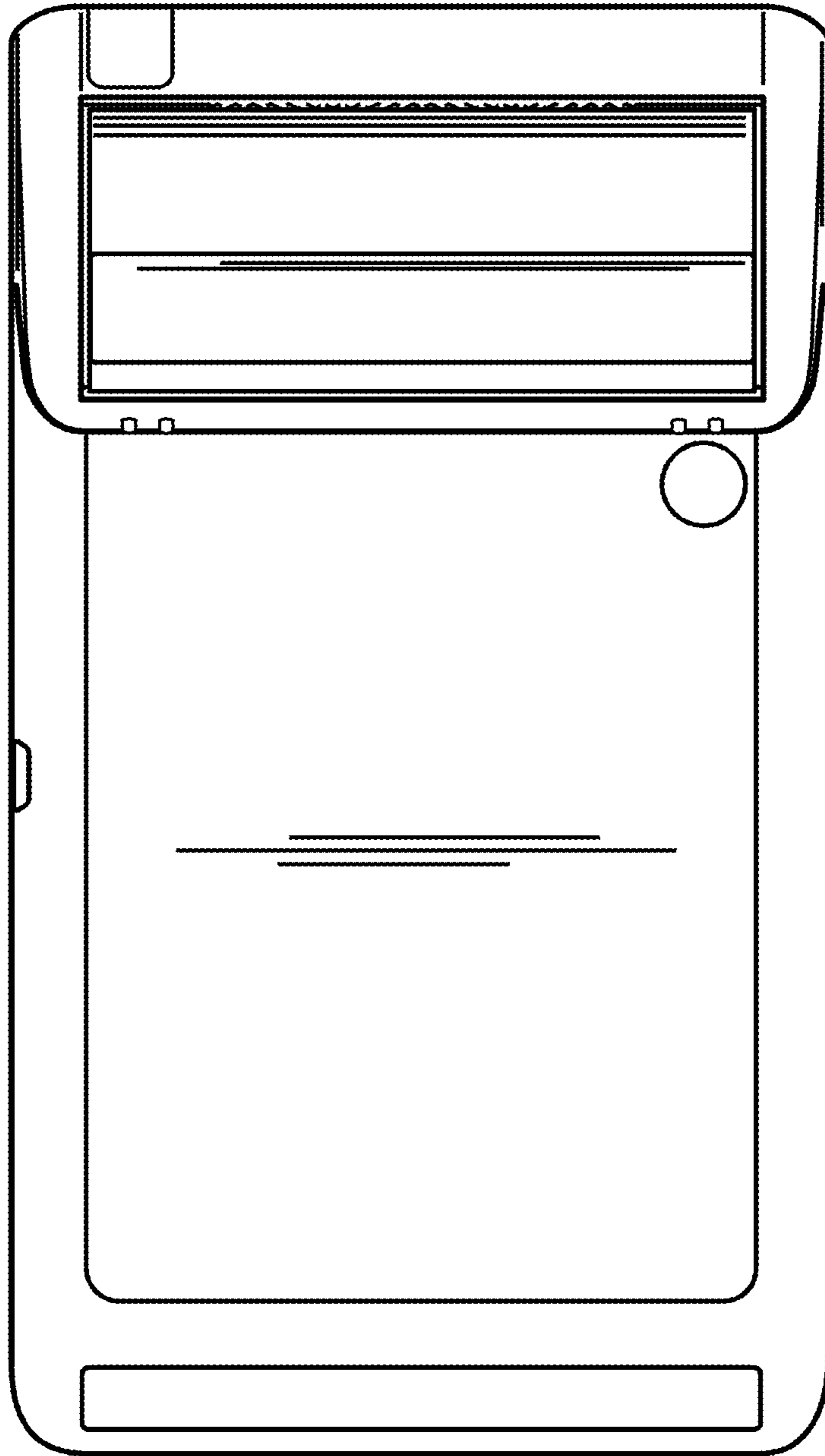


FIG. 8

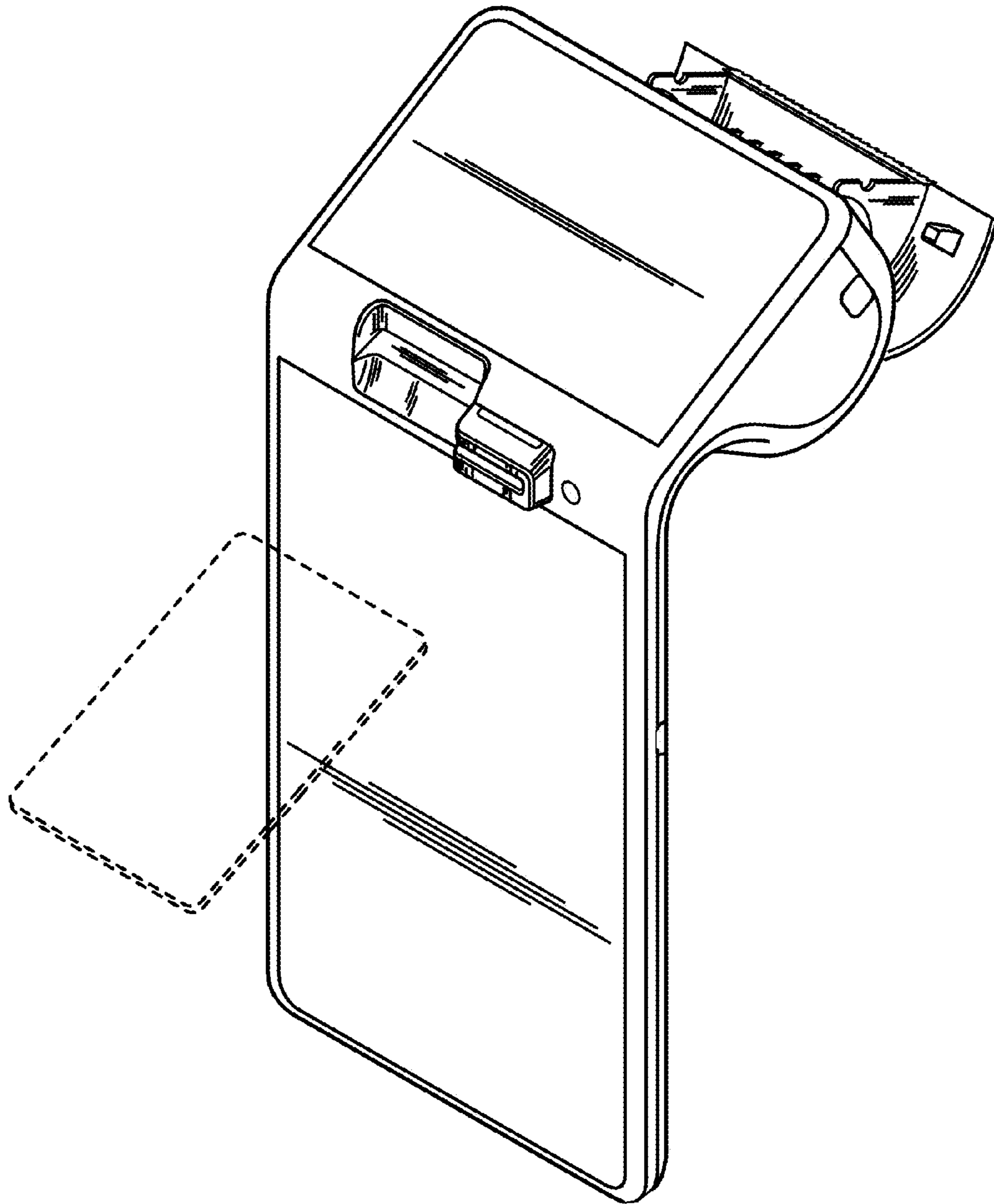


FIG. 9

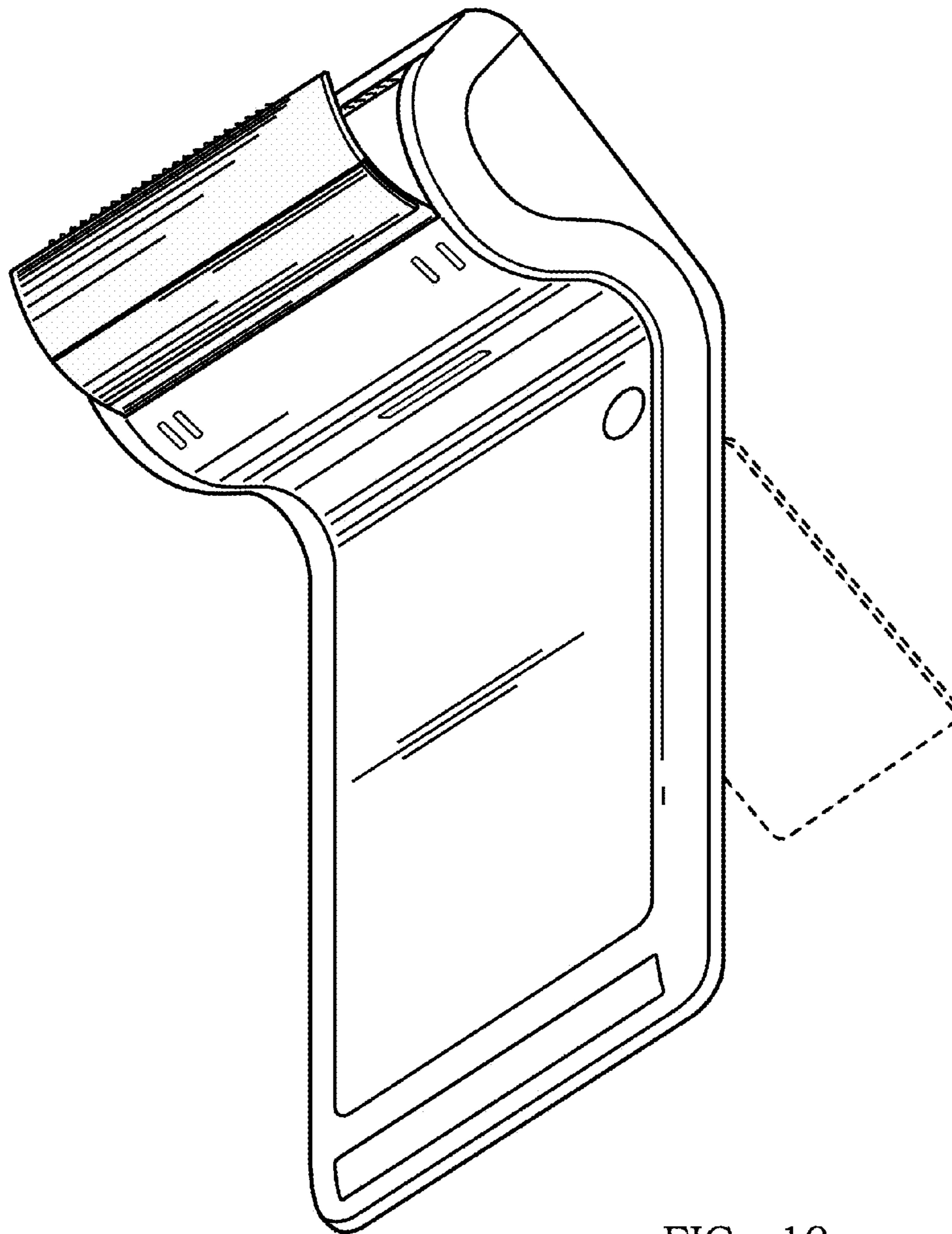


FIG. 10

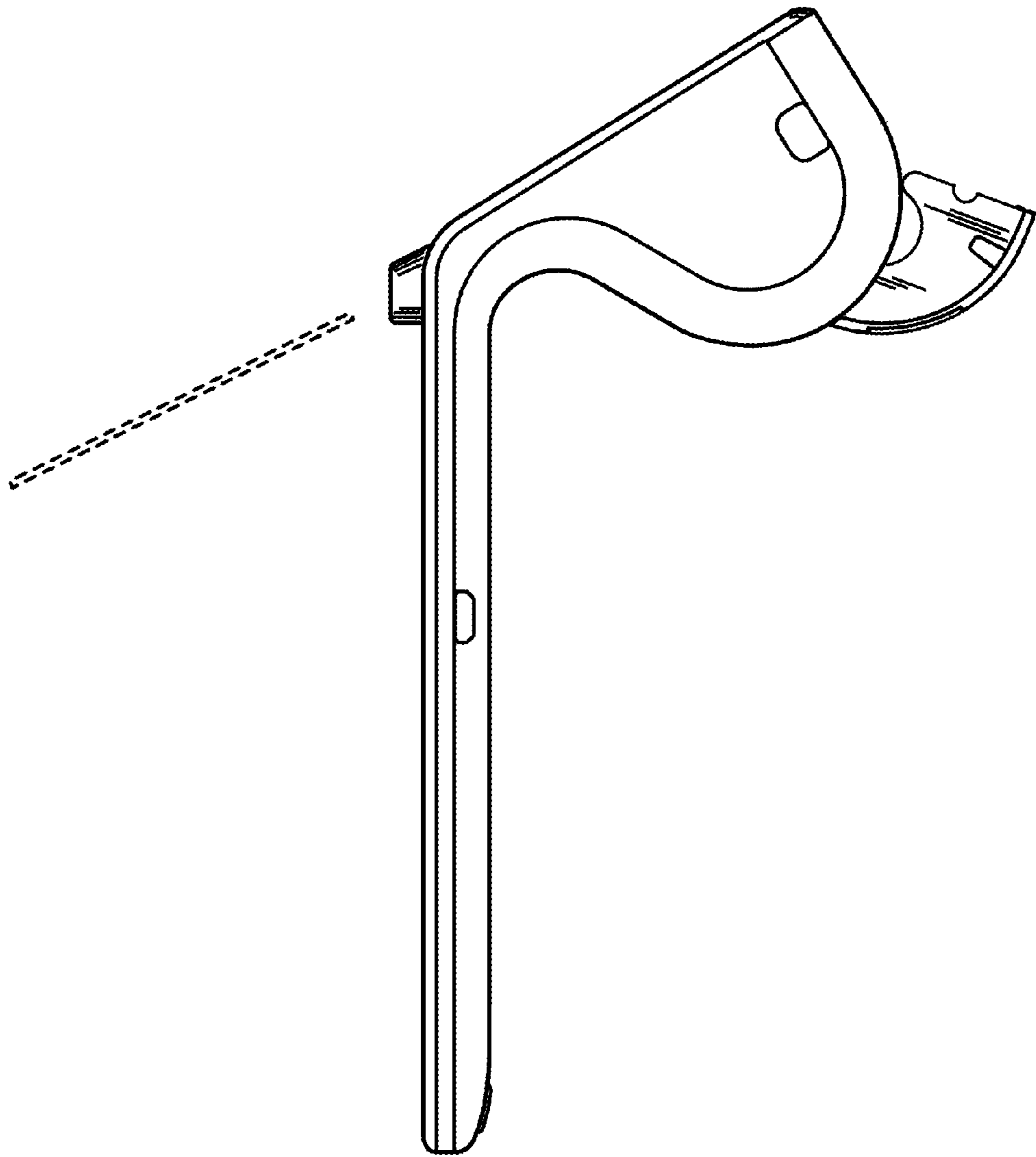


FIG. 11

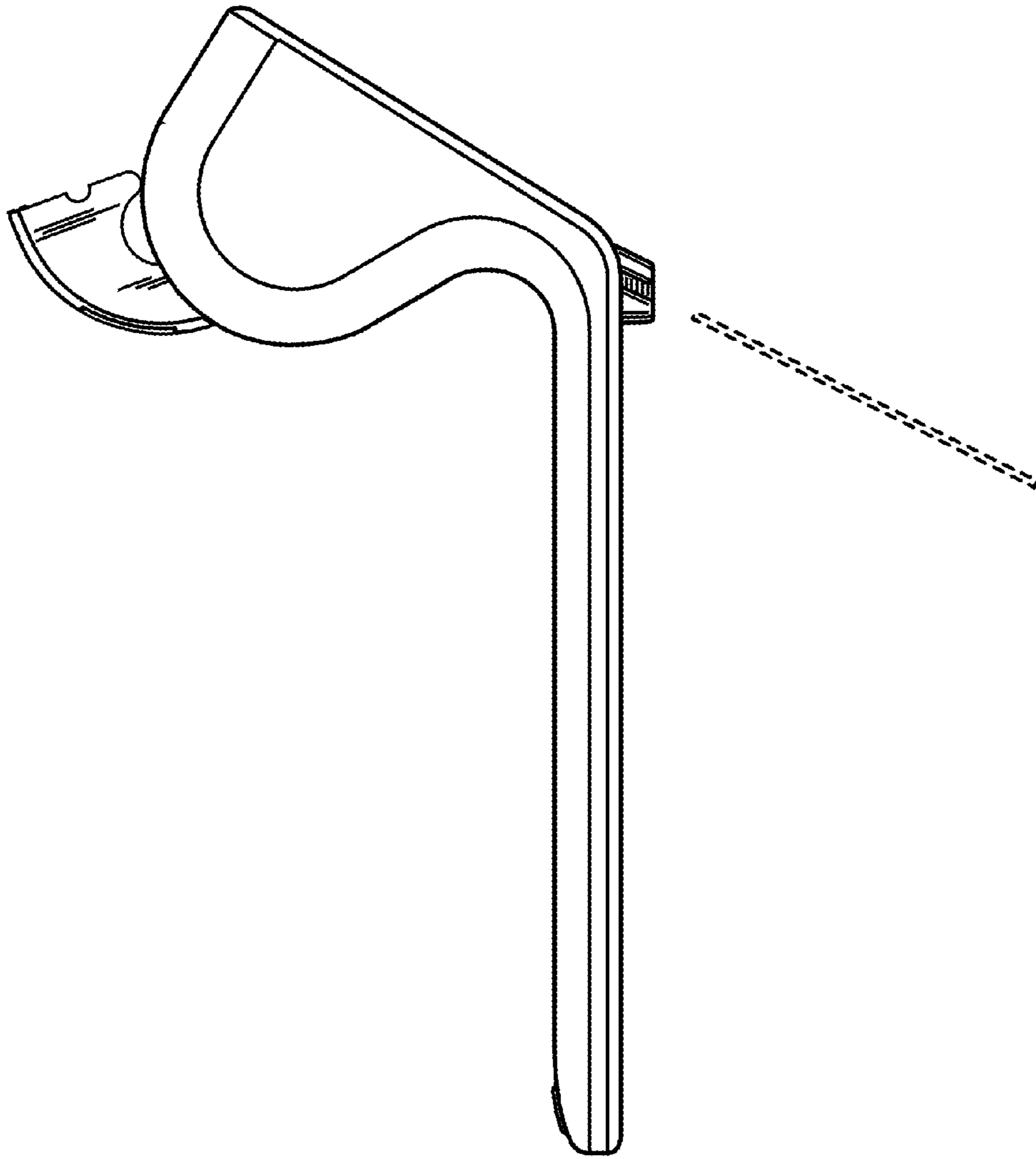


FIG. 12

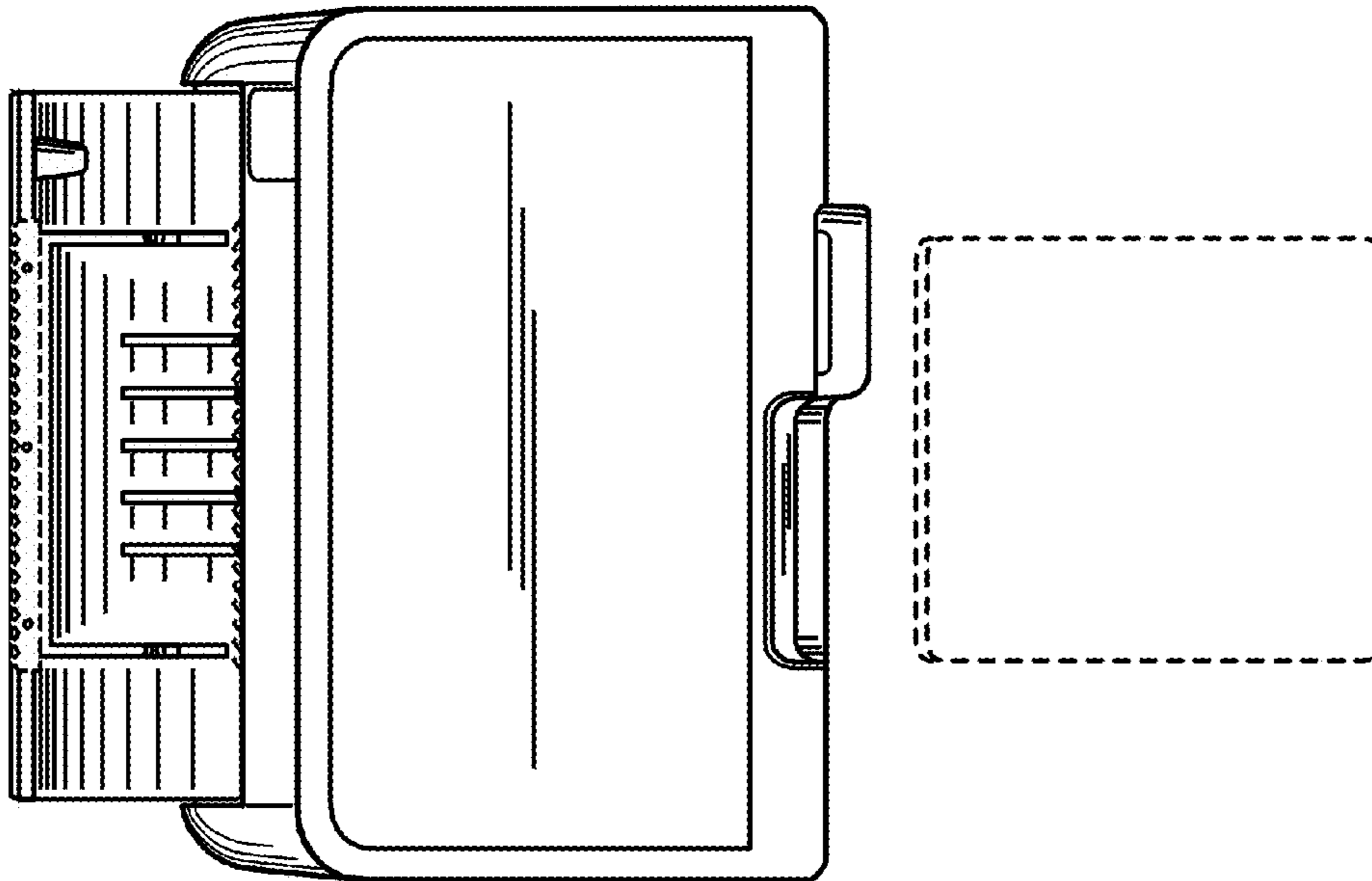


FIG. 13

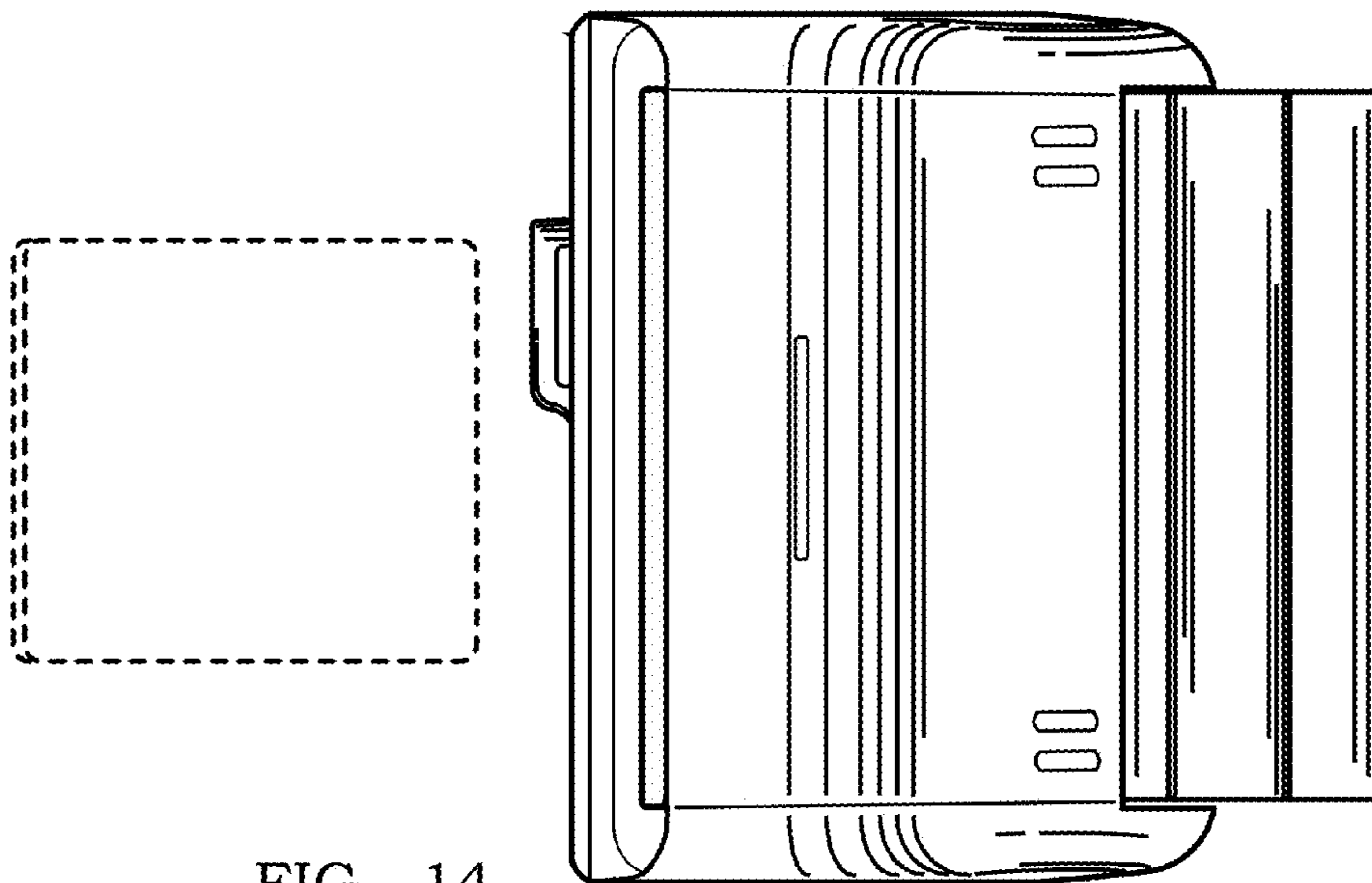


FIG. 14

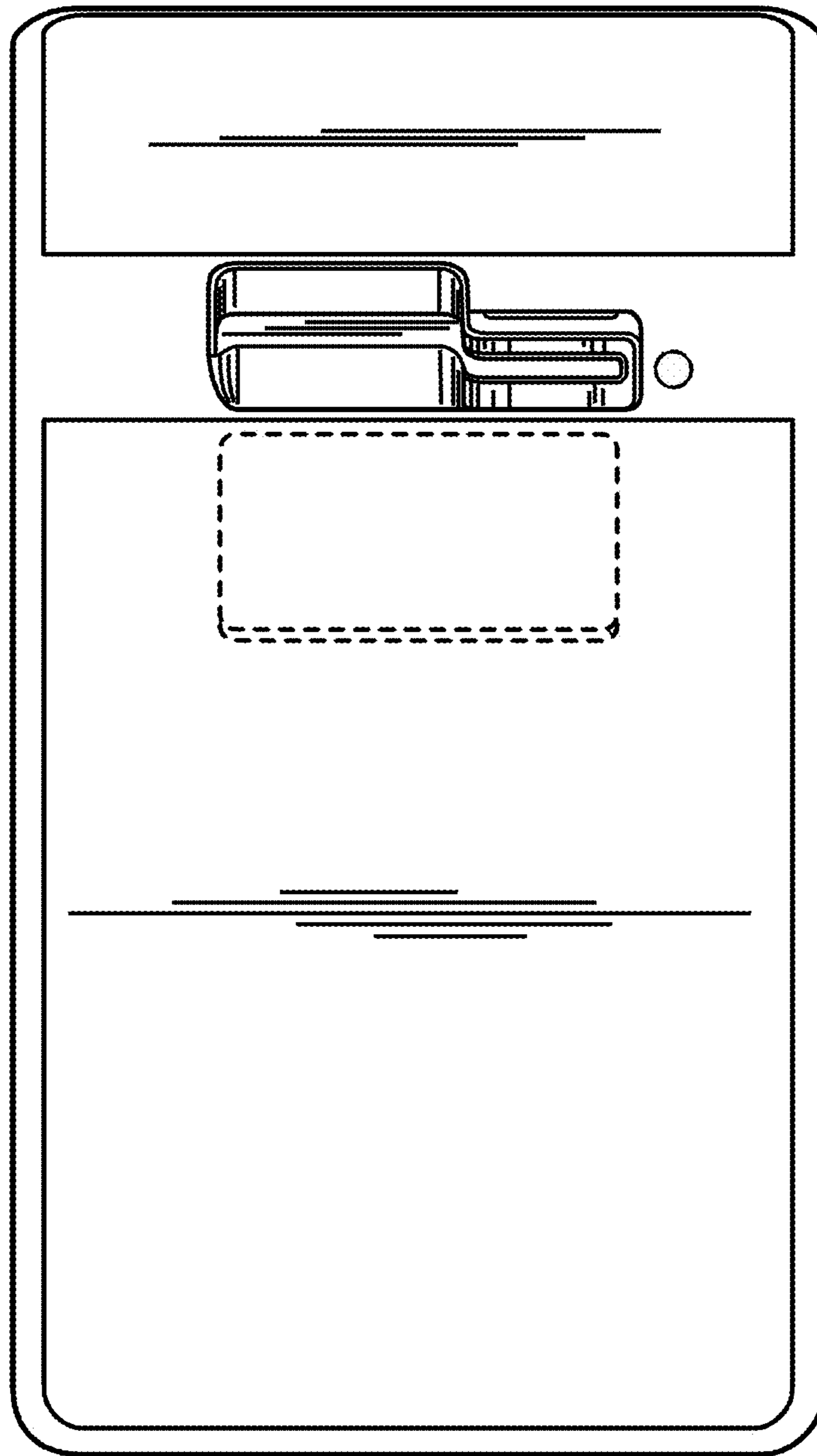


FIG. 15

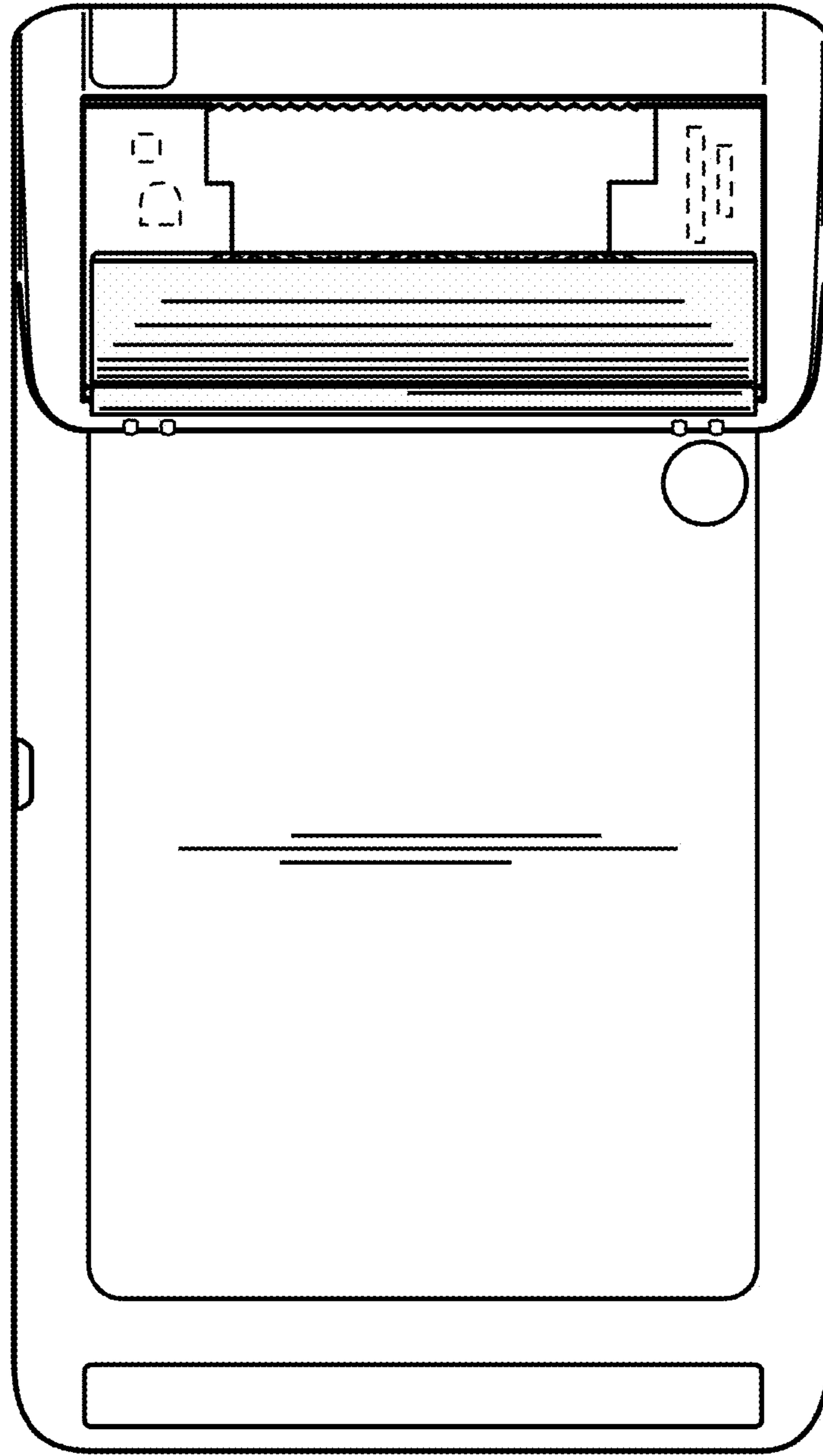


FIG. 16