



US00D762765S

(12) **United States Design Patent**  
**Frirsz**

(10) **Patent No.:** **US D762,765 S**  
(45) **Date of Patent:** **\*\* Aug. 2, 2016**

(54) **MUSICAL INSTRUMENT INCLUDING A REEL-LIKE STRUCTURE**

(71) Applicant: **Nicholas Frirsz**, Greenfield Center, NY (US)

(72) Inventor: **Nicholas Frirsz**, Greenfield Center, NY (US)

(\*\*) Term: **14 Years**

(21) Appl. No.: **29/507,448**

(22) Filed: **Oct. 28, 2014**

(51) **LOC (10) CI.** ..... **17-03**

(52) **U.S. CI.**  
USPC ..... **D17/18**; D17/14

(58) **Field of Classification Search**  
USPC ..... D17/14, 18–21, 99; 84/267, 291, 293, 84/307, 718  
CPC ..... G10D 1/02; G10D 1/08; G10D 1/10; G10D 3/02; G10D 3/04; G10D 3/06; G10D 3/146

See application file for complete search history.

(56) **References Cited**

**U.S. PATENT DOCUMENTS**

57,540	A *	8/1866	Mein	.....	G10D 1/10 84/272
262,564	A *	8/1882	Bradbury	.....	G10D 1/10 84/269
1,391,372	A *	9/1921	Connell	.....	G03B 21/326 242/608.8
D283,627	S *	4/1986	Gretsch	.....	D17/19
D384,689	S *	10/1997	Najarian	.....	D17/14
D478,611	S *	8/2003	Nakajima	.....	D17/14
7,507,885	B2 *	3/2009	Coke	.....	G10D 1/085 84/267
2003/0131721	A1 *	7/2003	Minakuchi	.....	G10H 1/32 84/726
2014/0116226	A1 *	5/2014	Saito	.....	G10D 3/00 84/291

**OTHER PUBLICATIONS**

Frirsz Music. The Filmocaster. Publication Date unknown. [site visited Mar. 1, 2016]. Available on the Internet URL: <http://frirszmusic.com/filmocaster>.\*

Alex Obechaika—YouTube, Необычные гитары #2. Frirsz Filmocaster, Aug. 5, 2015, Available on the Internet URL: <https://www.youtube.com/watch?v=Xv8QQ9KyHqc>.\*

Urban Remains, Vintage american oversized goldberg brothers cast aluminum filmstrip reel. Publication Date unknown. [site visited Mar. 1, 2016]. Available on the Internet URL: <http://www.urbanremainschicago.com/two-matching-vintage-american-oversized-goldberg-brothers-cast-aluminum-filmstrip-reels-with-highly-stylized-design.html>.\*

\* cited by examiner

*Primary Examiner* — Thomas Johannes

*Assistant Examiner* — Bryan Reinholdt, Jr.

(74) *Attorney, Agent, or Firm* — Madeline F. Schiesser; Keohane & D'Alessandro PLLC

(57) **CLAIM**

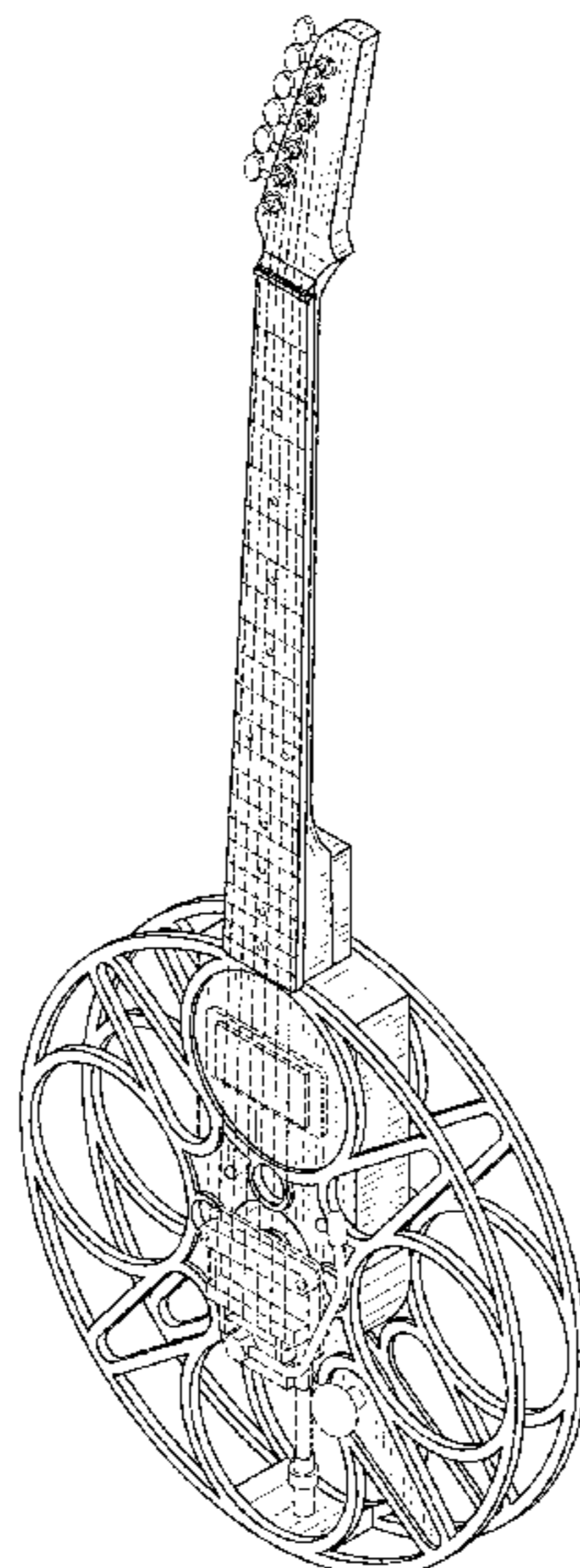
The ornamental design for a musical instrument including a reel-like structure, as shown and described.

**DESCRIPTION**

FIG. 1 is a top perspective view of a musical instrument including a reel-like structure showing my new design; FIG. 2 is a front view thereof; FIG. 3 is a back view thereof; FIG. 4 is a first side view thereof; FIG. 5 is a second side view thereof; FIG. 6 is a top view thereof; and, FIG. 7 is a bottom view thereof.

The broken line portion of the figure drawings is included to show subject matter that forms no part of the claimed design.

**1 Claim, 5 Drawing Sheets**



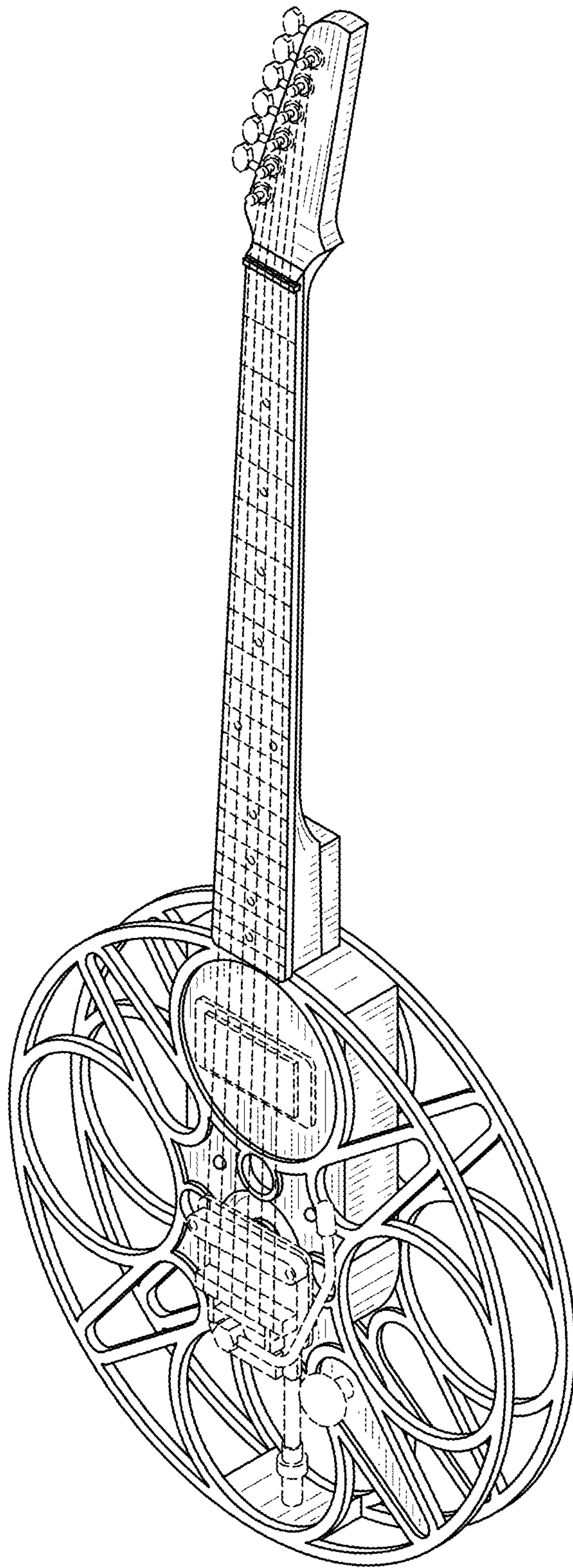


FIG. 1

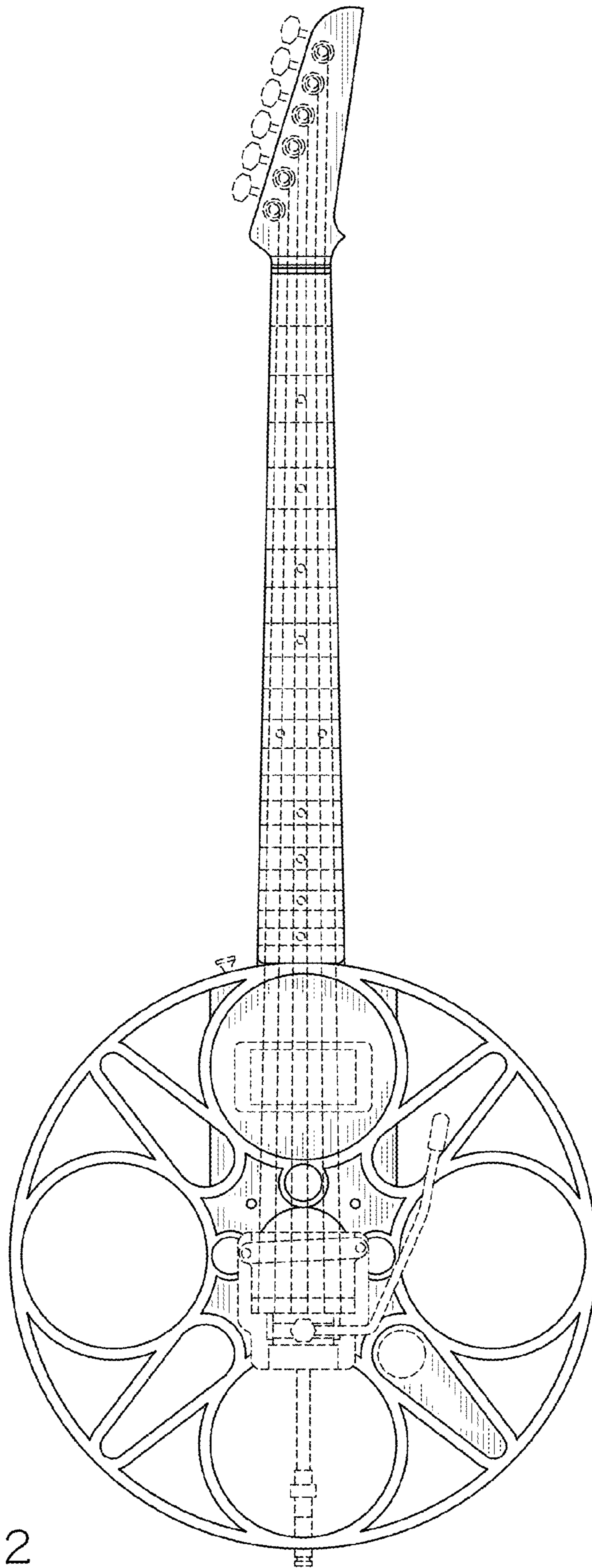


FIG. 2



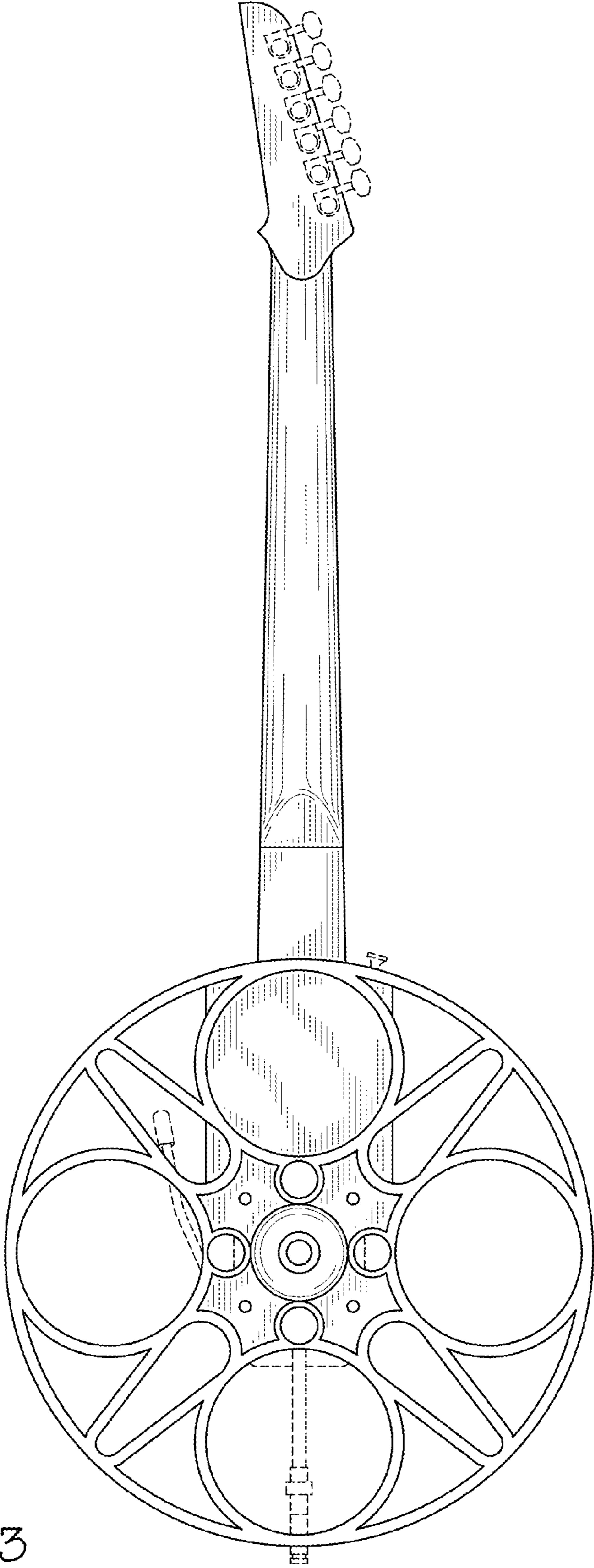


FIG. 3

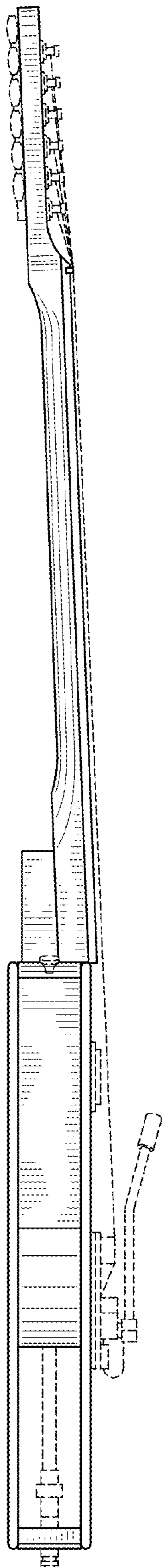


FIG. 4

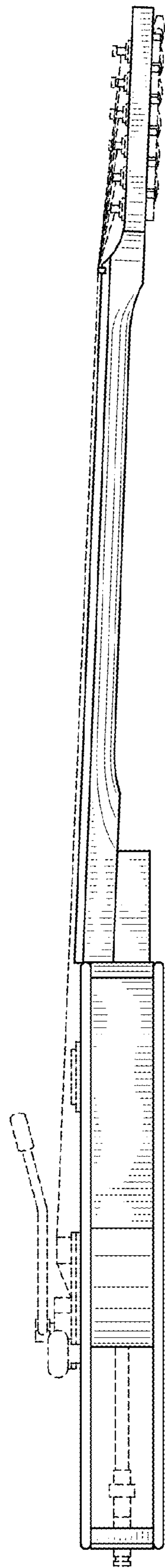


FIG. 5

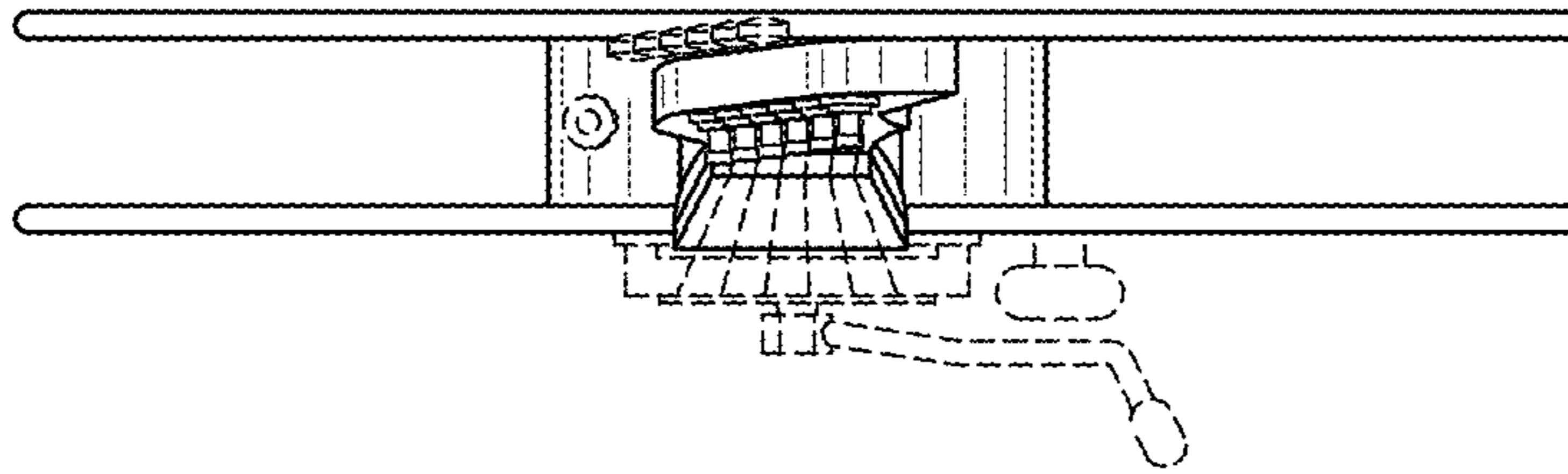


FIG. 6

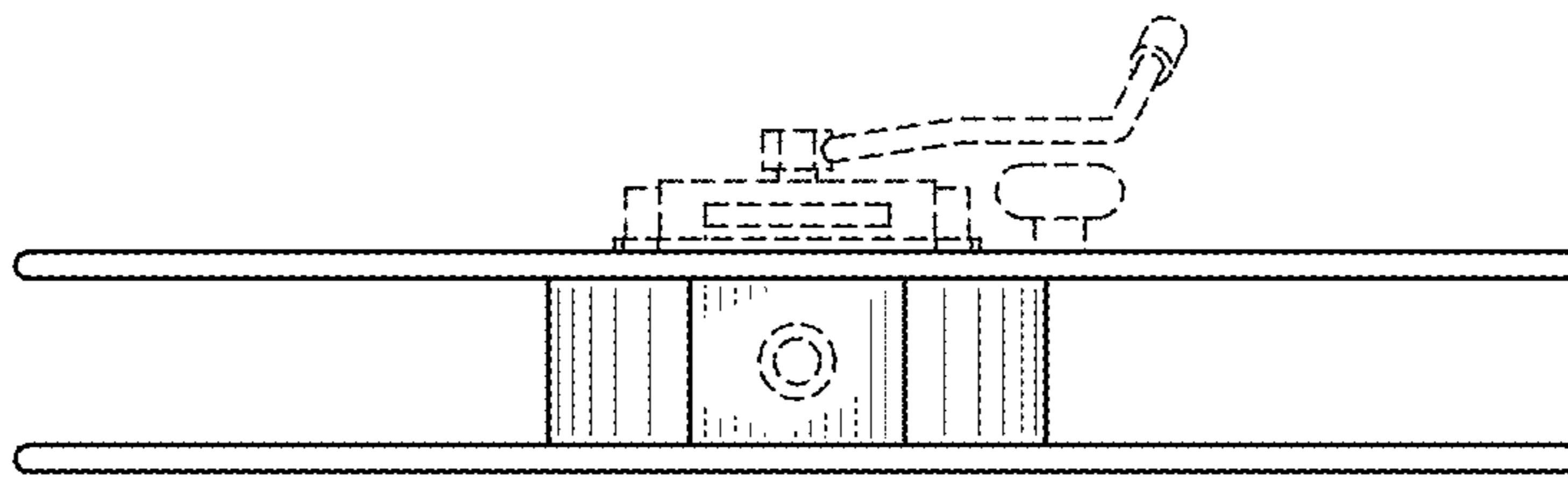


FIG. 7