

US00D762764S

(12) **United States Design Patent**
Wilk

(10) **Patent No.:** **US D762,764 S**

(45) **Date of Patent:** **** Aug. 2, 2016**

(54) **MUSICAL INSTRUMENT FINGER BUTTON**

(71) Applicant: **Martin A. Wilk**, Palmyra, IN (US)

(72) Inventor: **Martin A. Wilk**, Palmyra, IN (US)

(**) Term: **14 Years**

(21) Appl. No.: **29/497,092**

(22) Filed: **Jul. 21, 2014**

(51) **LOC (10) Cl.** **17-02**

(52) **U.S. Cl.**
USPC **D17/13**

(58) **Field of Classification Search**
USPC D6/323; D8/300, 310; D10/106.5;
D11/40, 41, 222, 226; D17/10, 11, 13,
D17/15, 19, 20, 24, 99; D26/124; 84/387 A,
84/395; 984/1, 2, 4, 7, 103, 115
CPC G10B 1/04; G10B 3/00; G10D 1/02;
G10D 3/06; G10D 7/10; G10D 9/00
See application file for complete search history.

(56) **References Cited**

U.S. PATENT DOCUMENTS

D19,213 S *	7/1889	Creteau	D12/179
D176,154 S *	11/1955	Petitclair	D11/226
3,141,211 A *	7/1964	Blake	A43B 23/24
				24/114.4
D344,252 S *	2/1994	Choi	D11/222
D355,396 S *	2/1995	Andrau	D11/222
D363,901 S *	11/1995	Le	D11/222
D366,113 S *	1/1996	Morgan	D11/222
D377,919 S *	2/1997	Singer	D11/222
D422,481 S *	4/2000	Bertani	D8/310

D487,865 S *	3/2004	Dewald	D8/310
D537,754 S *	3/2007	Flores	D11/226
D550,534 S *	9/2007	Jou	D8/305

OTHER PUBLICATIONS

Customer Finger Buttons, posted at Facebook.com by Mouthpiece Express, posting date Mar. 30, 2010, © Mouthpiece Express and Facebook.com, [online], [site visited Feb. 10, 2016]. Available from Internet, <URL: <https://www.facebook.com/mouthpieceexpress/photos/a.379571296386.157306.122196936386/379571341386/?type=3&theater>>.*

* cited by examiner

Primary Examiner — Manpreet Matharu

Assistant Examiner — Lisa A Grabenstetter

(74) *Attorney, Agent, or Firm* — Duncan Galloway Egan Greenwald, PLLC; Kevin T. Duncan

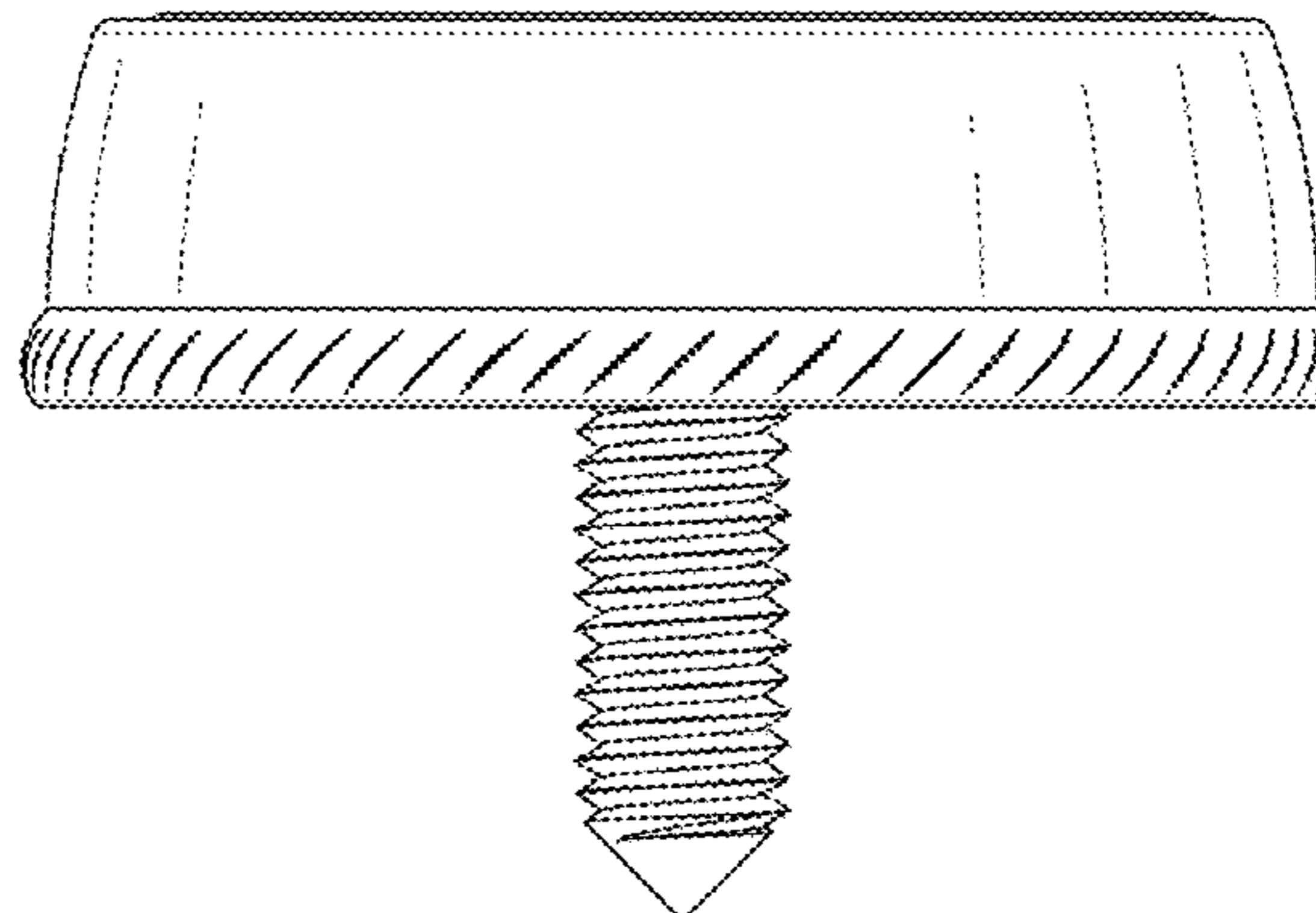
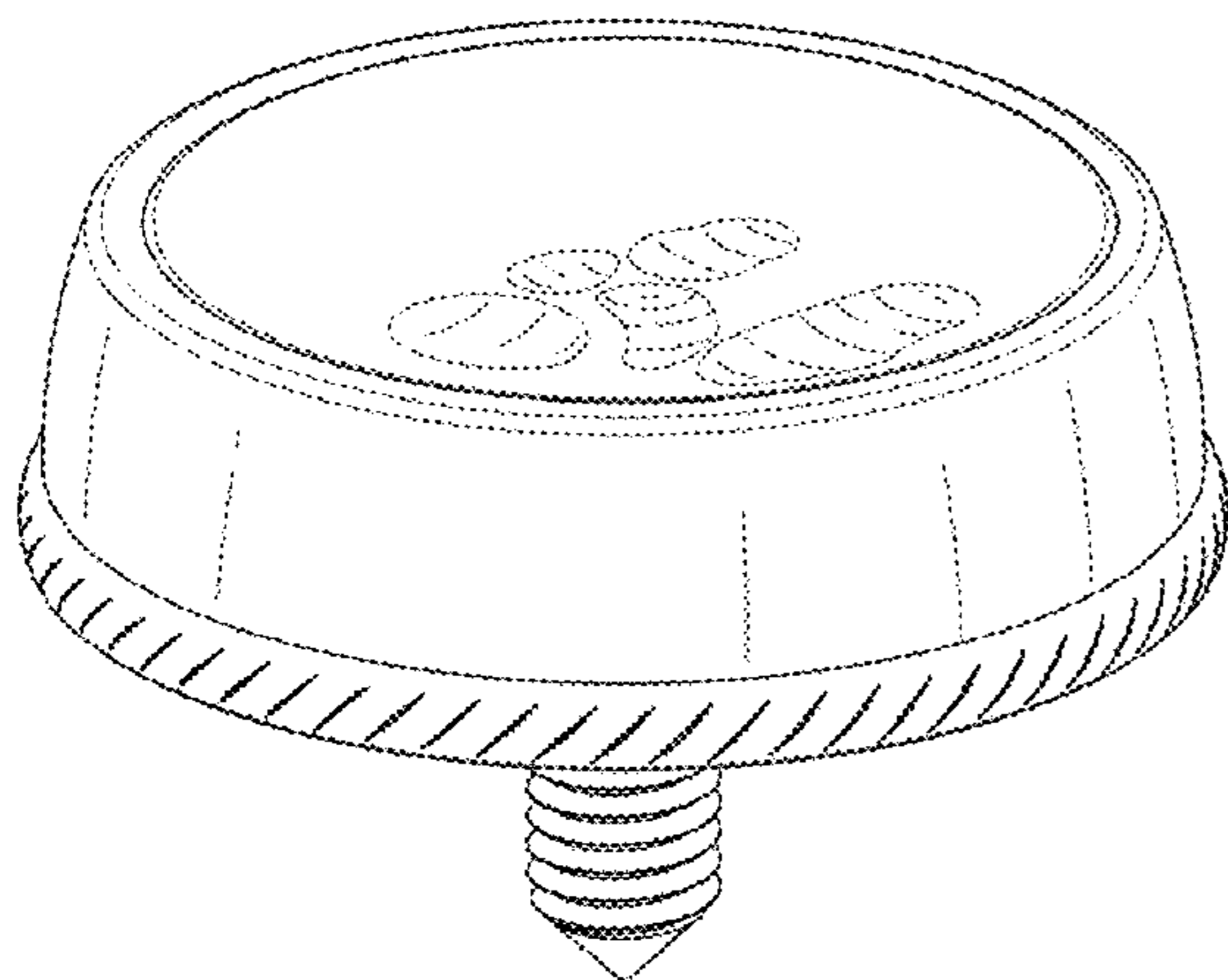
(57) **CLAIM**

The ornamental design for a musical instrument finger button, as shown.

DESCRIPTION

FIG. 1 is a top perspective view of a musical instrument finger button showing my new design;
FIG. 2 is a bottom perspective view thereof;
FIG. 3 is a top plan view thereof;
FIG. 4 is a bottom plan view thereof;
FIG. 5 is a first side view thereof;
FIG. 6 is a second side view thereof;
FIG. 7 is a third side view thereof; and,
FIG. 8 is a fourth side view thereof.

1 Claim, 8 Drawing Sheets



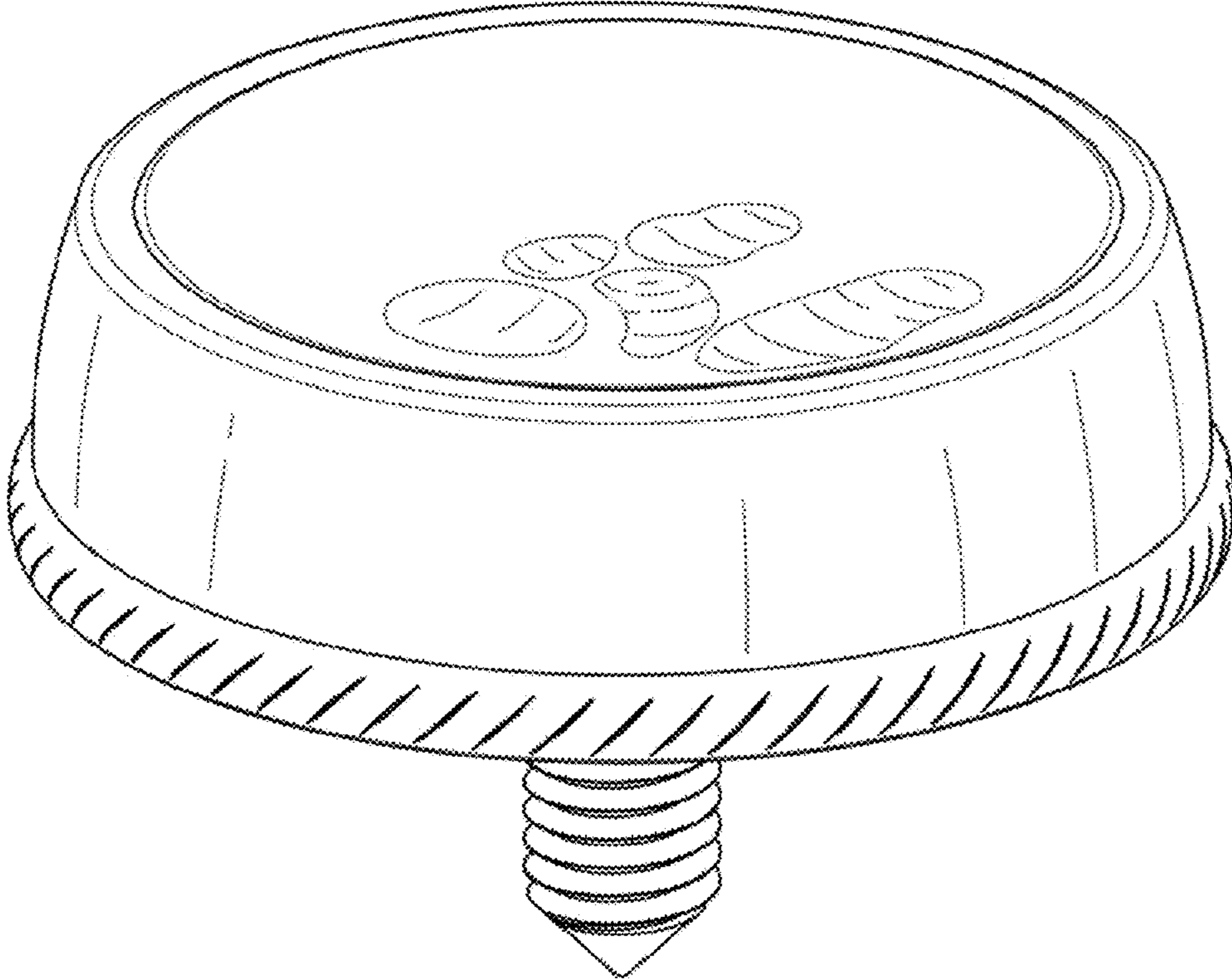


FIG. 1

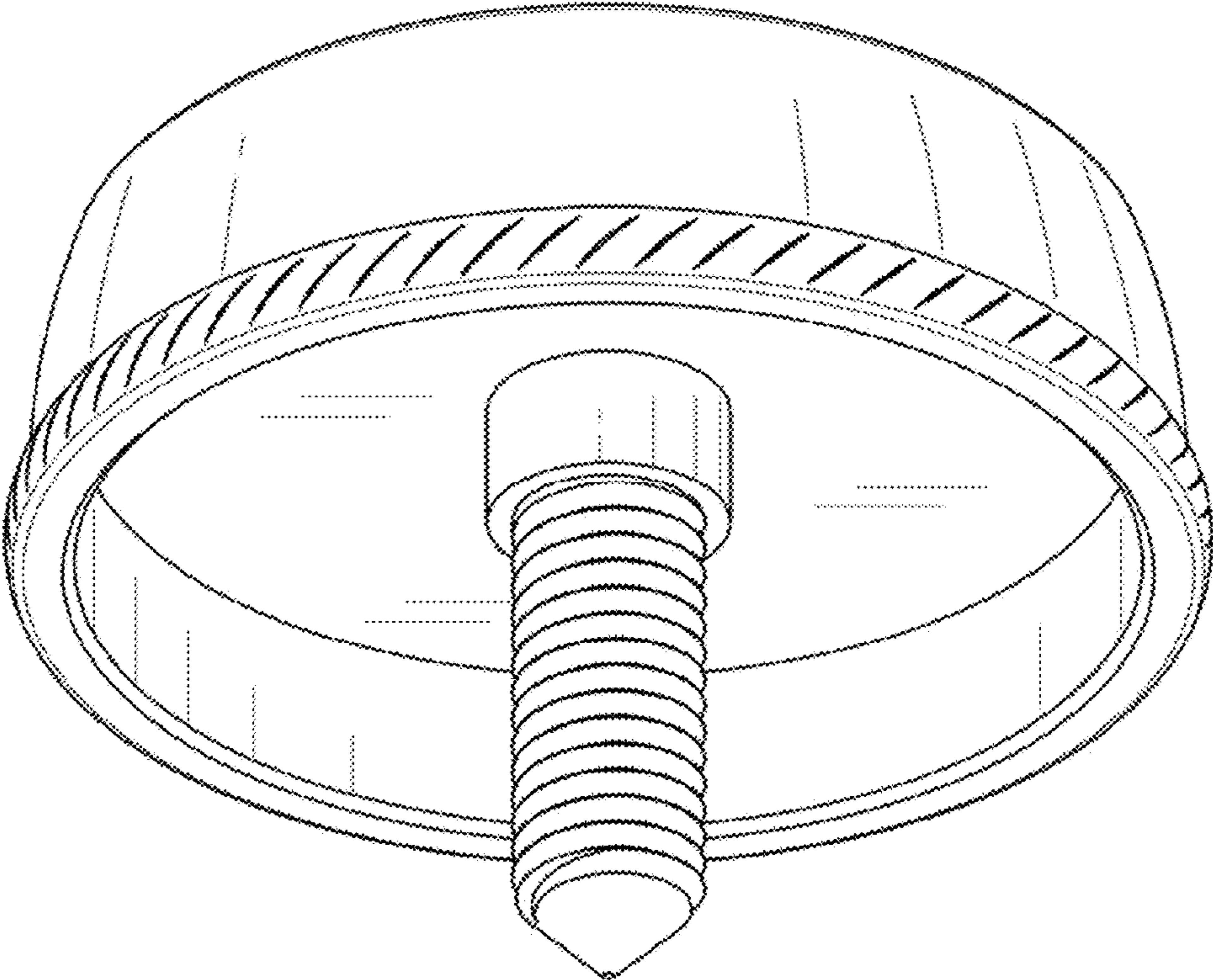


FIG. 2

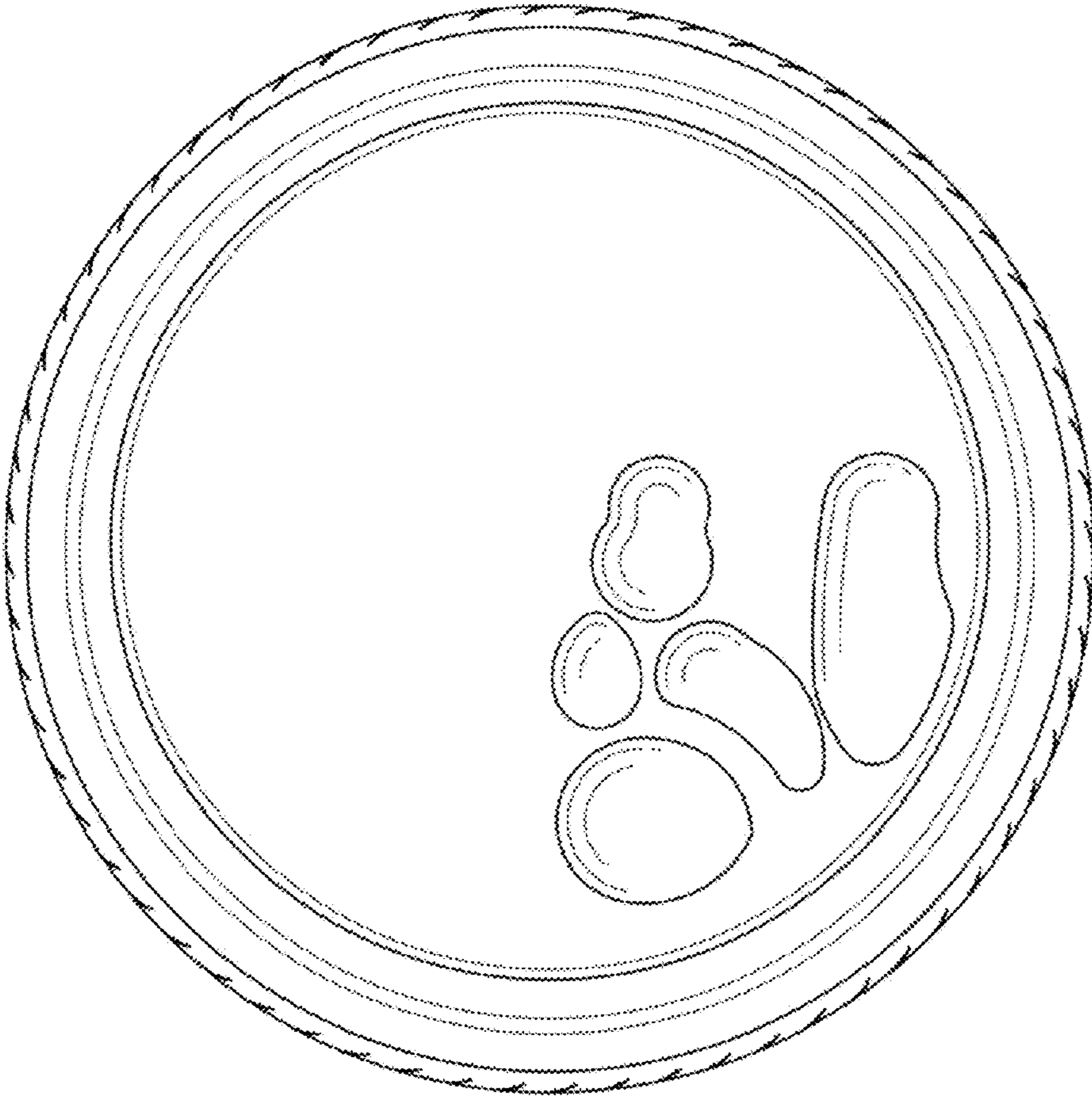


FIG. 3

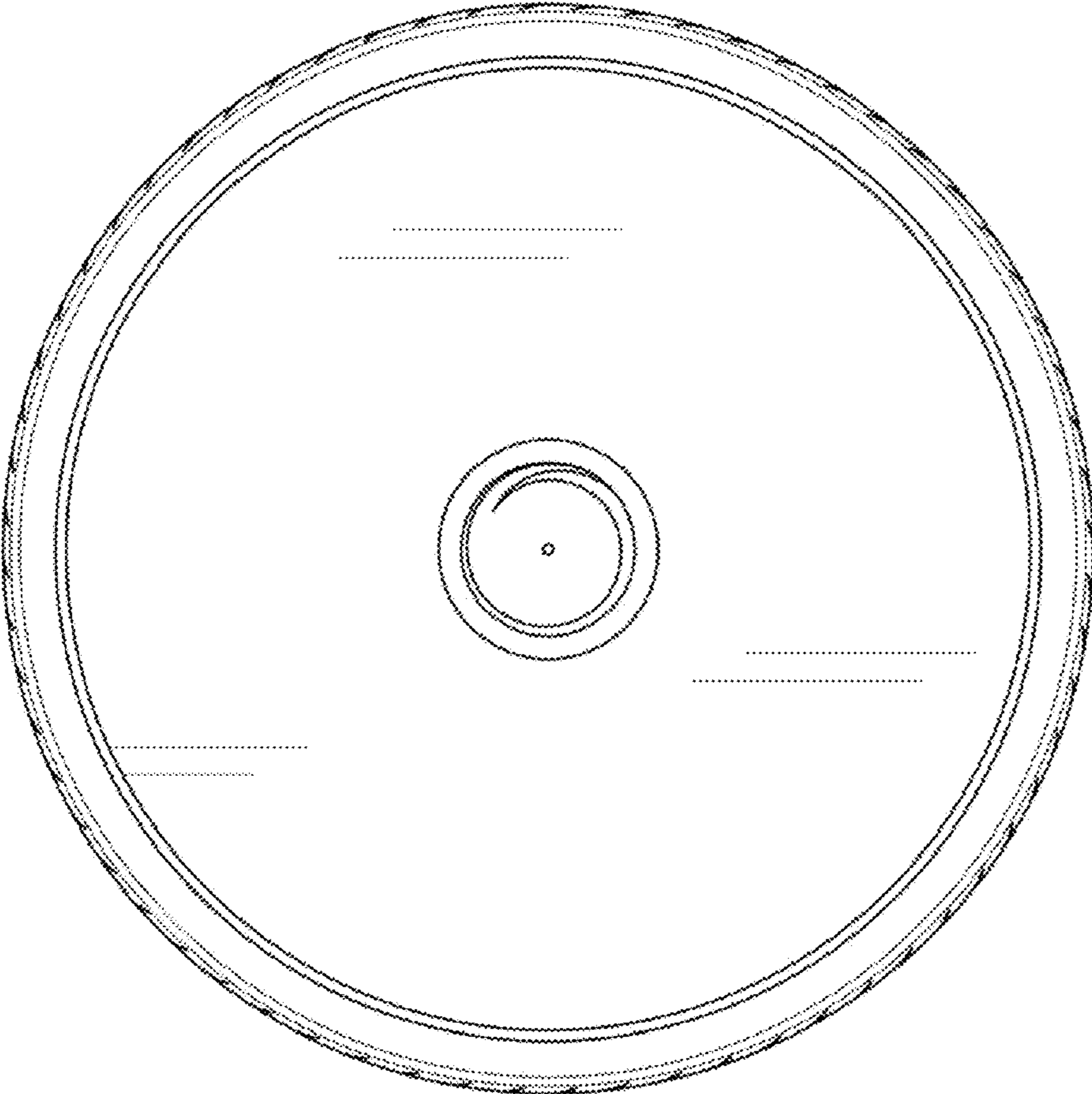


FIG. 4

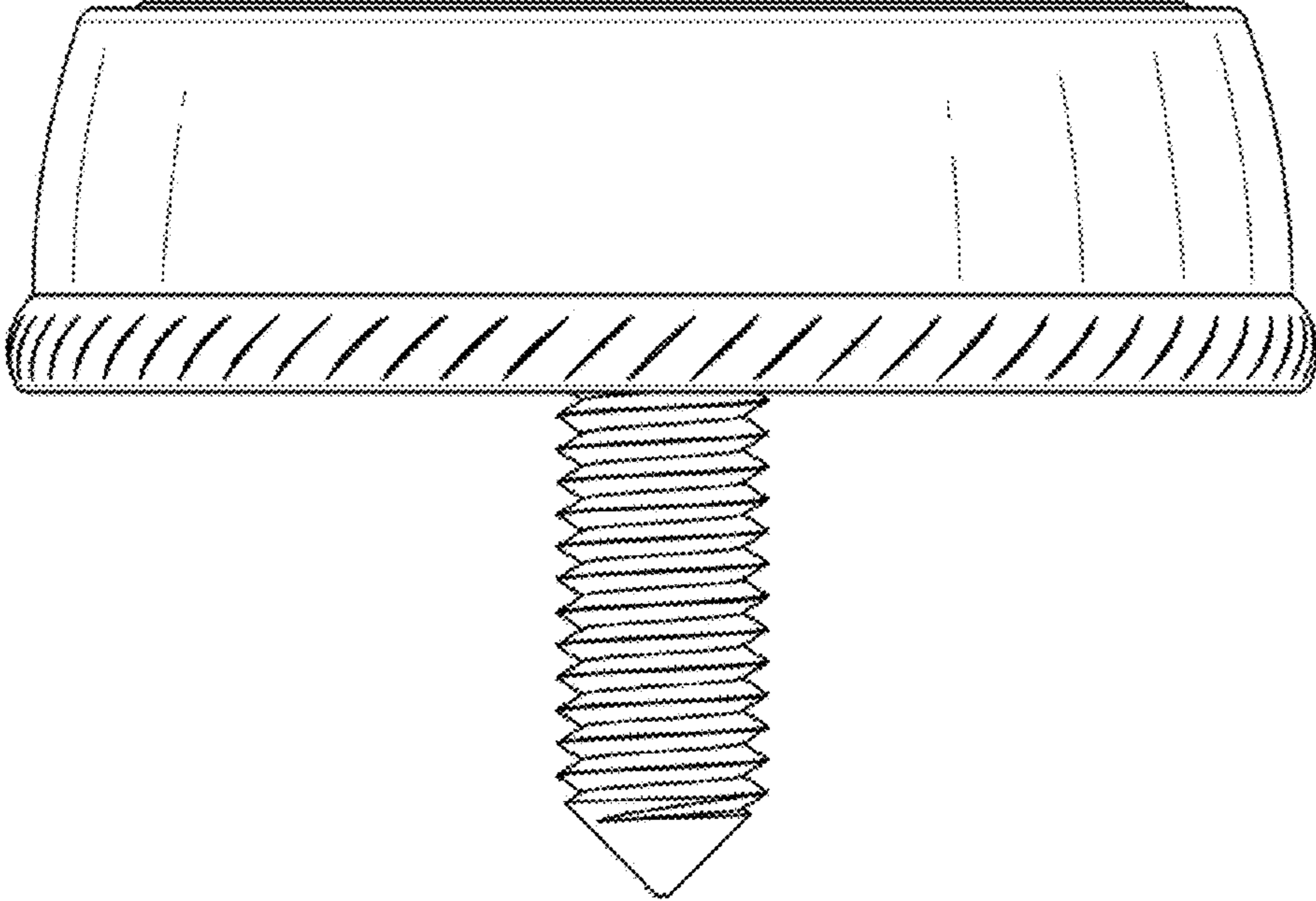


FIG. 5

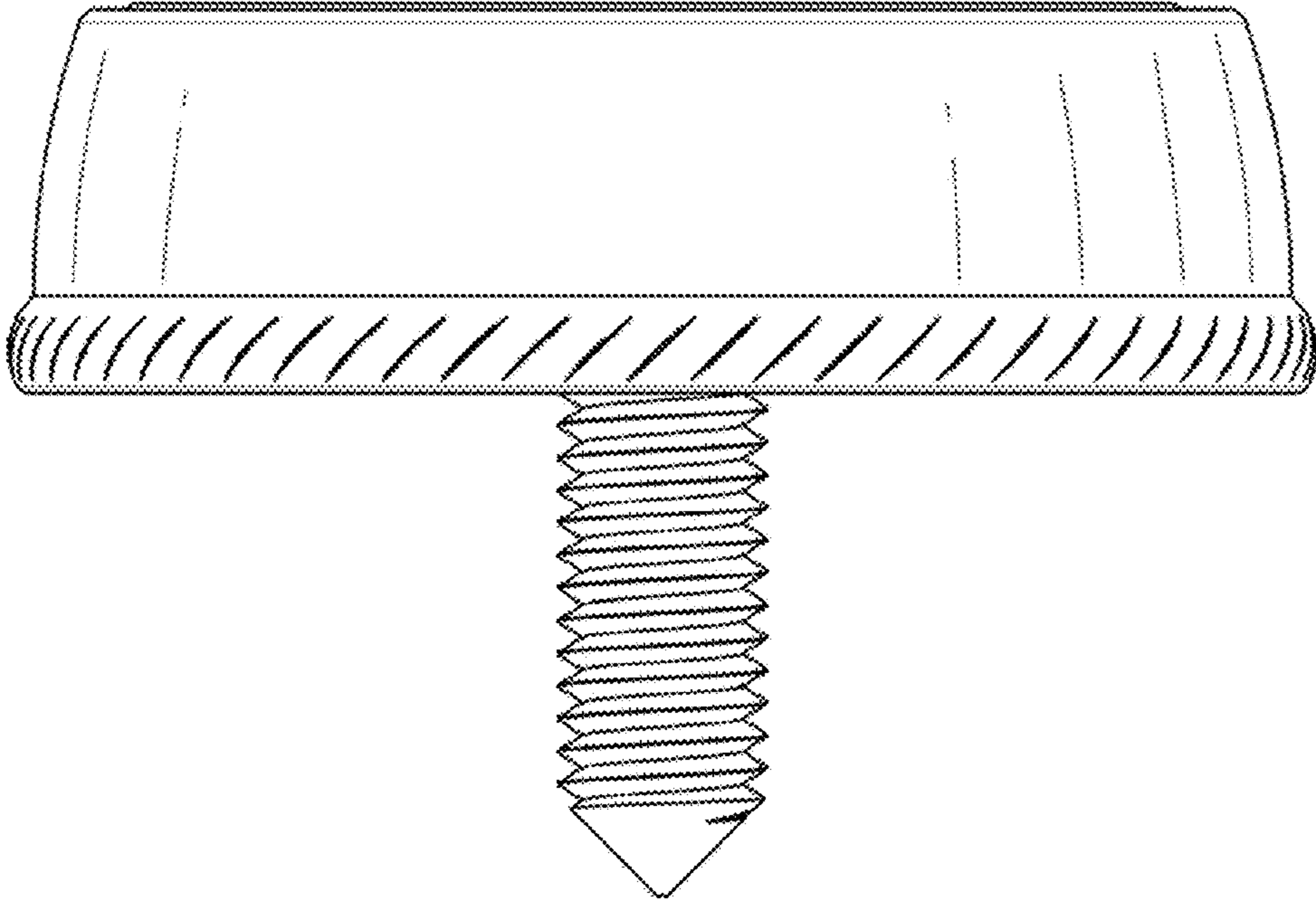


FIG. 6

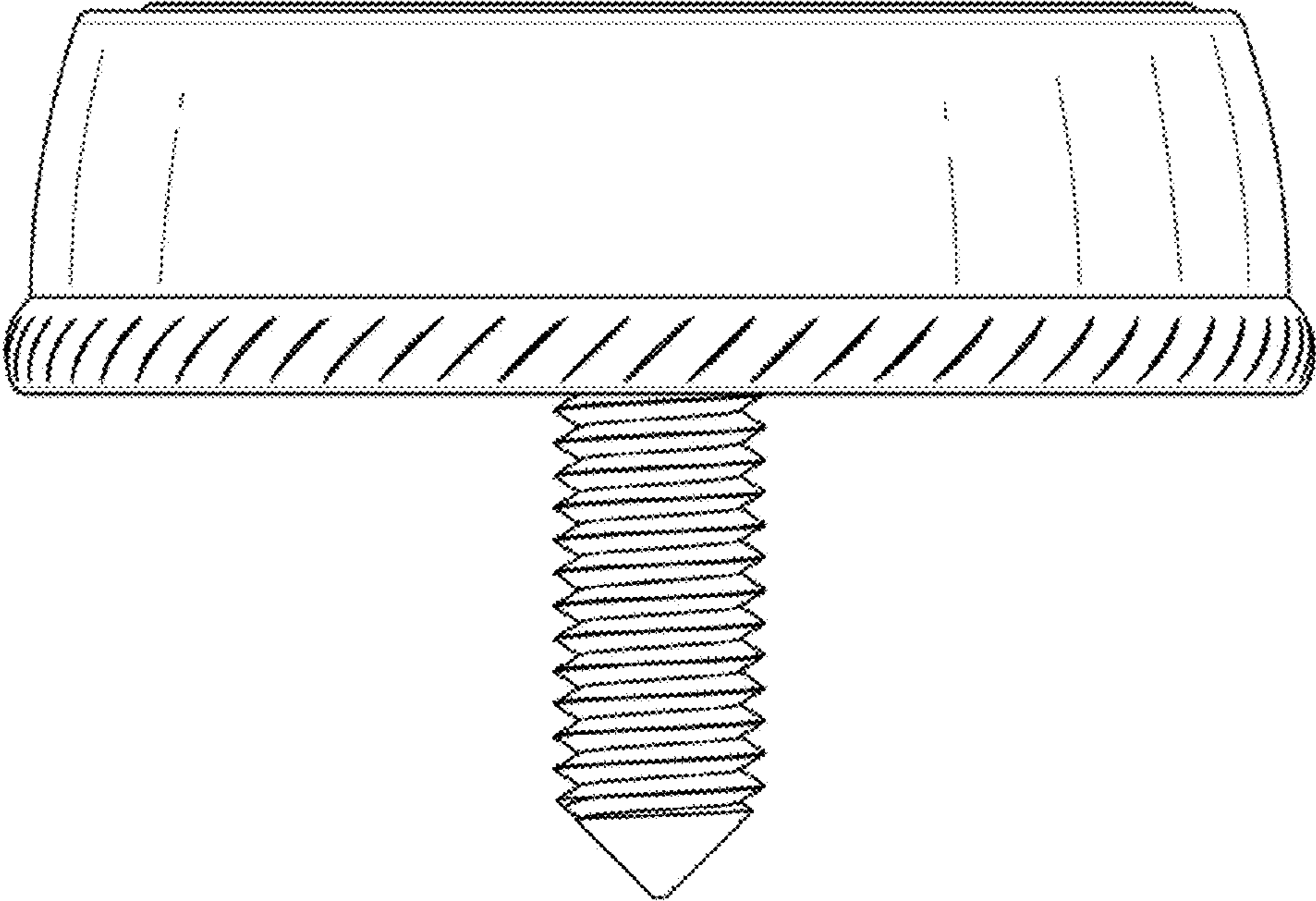


FIG. 7

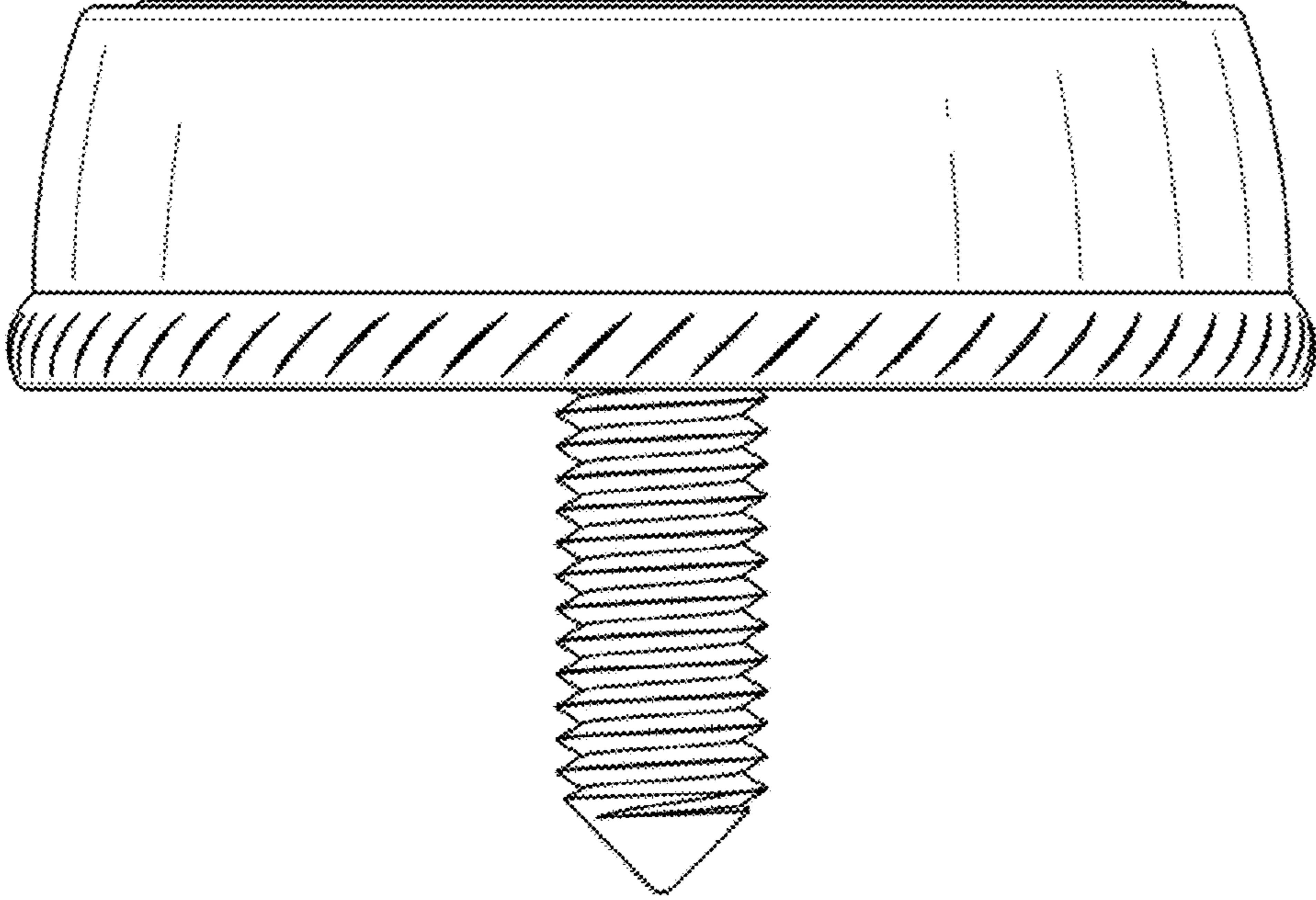


FIG. 8