



US00D762763S

(12) **United States Design Patent**
Balachandreswaran et al.

(10) **Patent No.:** **US D762,763 S**
(45) **Date of Patent:** **** Aug. 2, 2016**

(54) **HEAD MOUNTED DEVICE**
(71) Applicant: **SULON TECHNOLOGIES INC.**,
Markham (CA)
(72) Inventors: **Dhanushan Balachandreswaran**,
Richmond Hill (CA); **Adam Nicholas**
Seangio, Toronto (CA); **Kibaya Mungai**
Njenga, Markham (CA); **Chao Gao**,
Scarborough (CA); **Joleena Sui Yu Teo**,
Toronto (CA)

D394,649 S * 5/1998 Pombo D14/372
D427,982 S * 7/2000 Ishii D14/372
D484,170 S * 12/2003 Zorkendorfer D16/300
D503,188 S * 3/2005 Lin D16/300
D505,969 S * 6/2005 Yeung D16/309
D513,032 S * 12/2005 Diamantidis D16/300
D601,641 S * 10/2009 Yeung D16/306
D688,294 S * 8/2013 Roy D16/309
D741,327 S * 10/2015 Reznik D14/372
D741,941 S * 10/2015 Armstrong D16/300

* cited by examiner

Primary Examiner — Raphael Barkai

(74) *Attorney, Agent, or Firm* — Anil Bhole; Bhole IP Law

(**) Term: **15 Years**

(21) Appl. No.: **29/531,356**

(22) Filed: **Jun. 25, 2015**

(51) **LOC (10) Cl.** **16-06**

(52) **U.S. Cl.**
USPC **D16/300; D16/312**

(58) **Field of Classification Search**
USPC D16/101, 300–342, 900; D29/109–110;
351/41, 44, 51–52, 62, 158, 92,
351/103–123, 140–153, 63, 59, 45–48;
2/426–432, 447–449, 441, 434–437,
2/440, 442, 13, 15; D21/483, 659–661;
D14/372; D8/356
CPC G02C 2200/08; G02C 1/06; G02C 5/14;
G02C 11/02; G02C 11/04; G01C 5/16;
A61M 2021/0044; A63B 33/002; G02B
27/017; G02B 27/0158; G02B 27/0168
See application file for complete search history.

(57) **CLAIM**

The ornamental design for the head mounted device, as shown and described.

DESCRIPTION

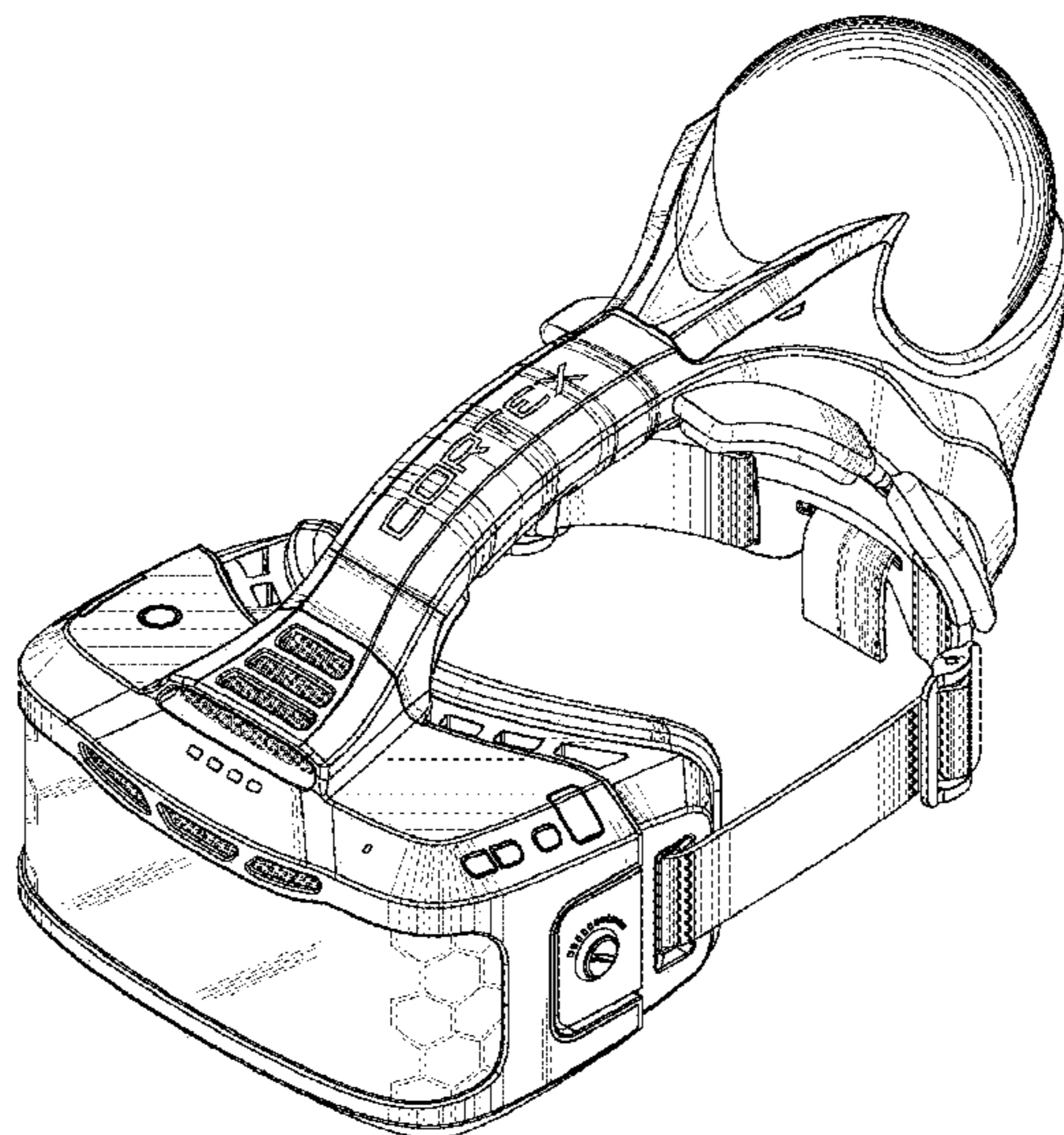
FIG. 1 illustrates a right side view of a head mounted device; FIG. 2 illustrates a left side view of the head mounted device; FIG. 3 illustrates a top plan view of the head mounted device; FIG. 4 illustrates a bottom view of the head mounted device; FIG. 5 illustrates a rear perspective view of the head mounted device; FIG. 6 illustrates a rear view of the head mounted device; FIG. 7 illustrates a front perspective view of a first variant of the head mounted device; FIG. 8 illustrates a front view of the first variant of the head mounted device; FIG. 9 illustrates a front perspective view of a second variant of the head mounted device; FIG. 10 illustrates a front view of the second variant of the head mounted device; and, FIG. 11 illustrates a sectional view of the head mounted device taken along the line 11-11 in FIG. 3.

(56) **References Cited**

U.S. PATENT DOCUMENTS

D359,502 S * 6/1995 Hicks D16/311
D363,482 S * 10/1995 Robinson D14/372
D369,595 S * 5/1996 Kober D14/372

1 Claim, 11 Drawing Sheets



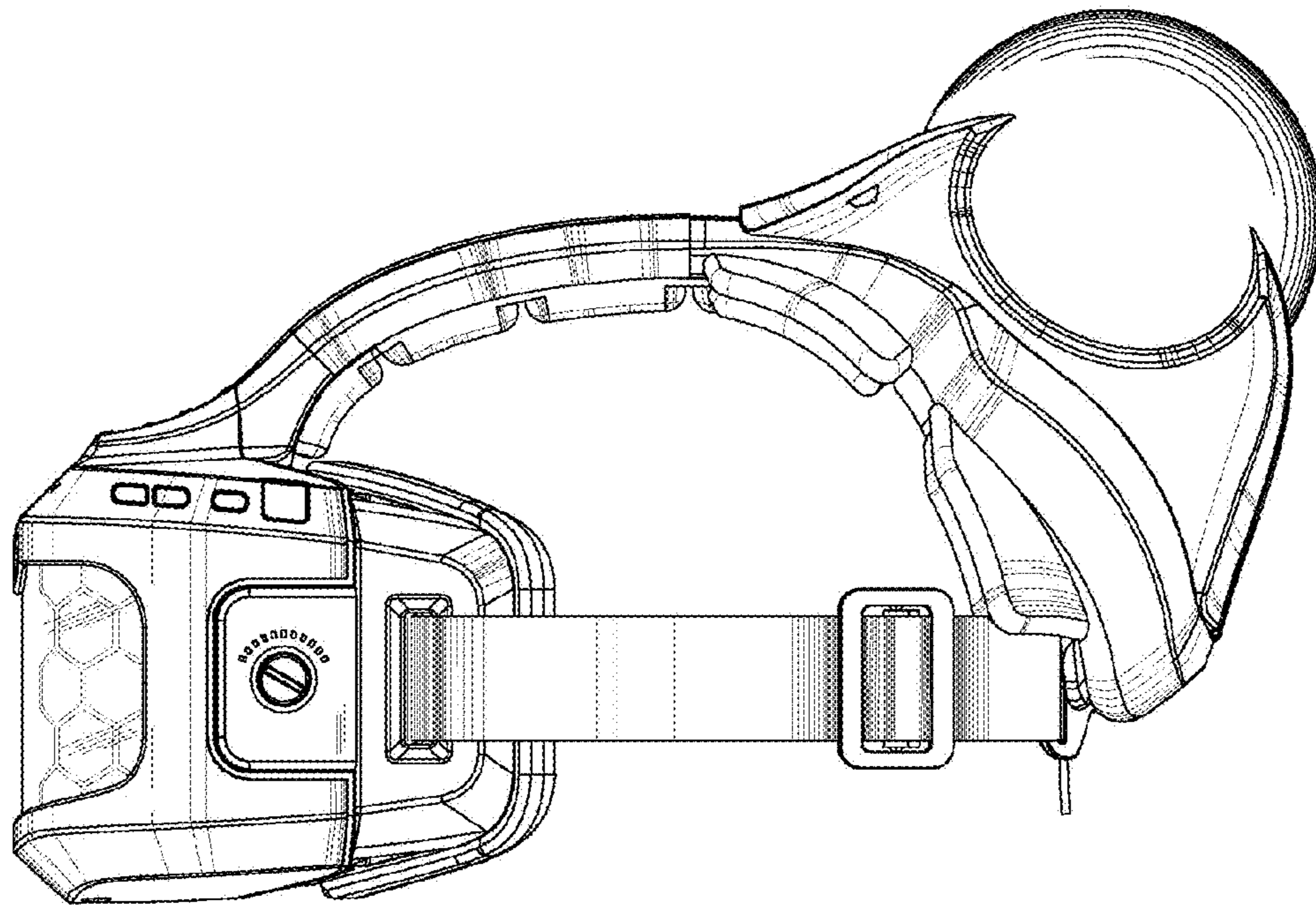


FIG. 1

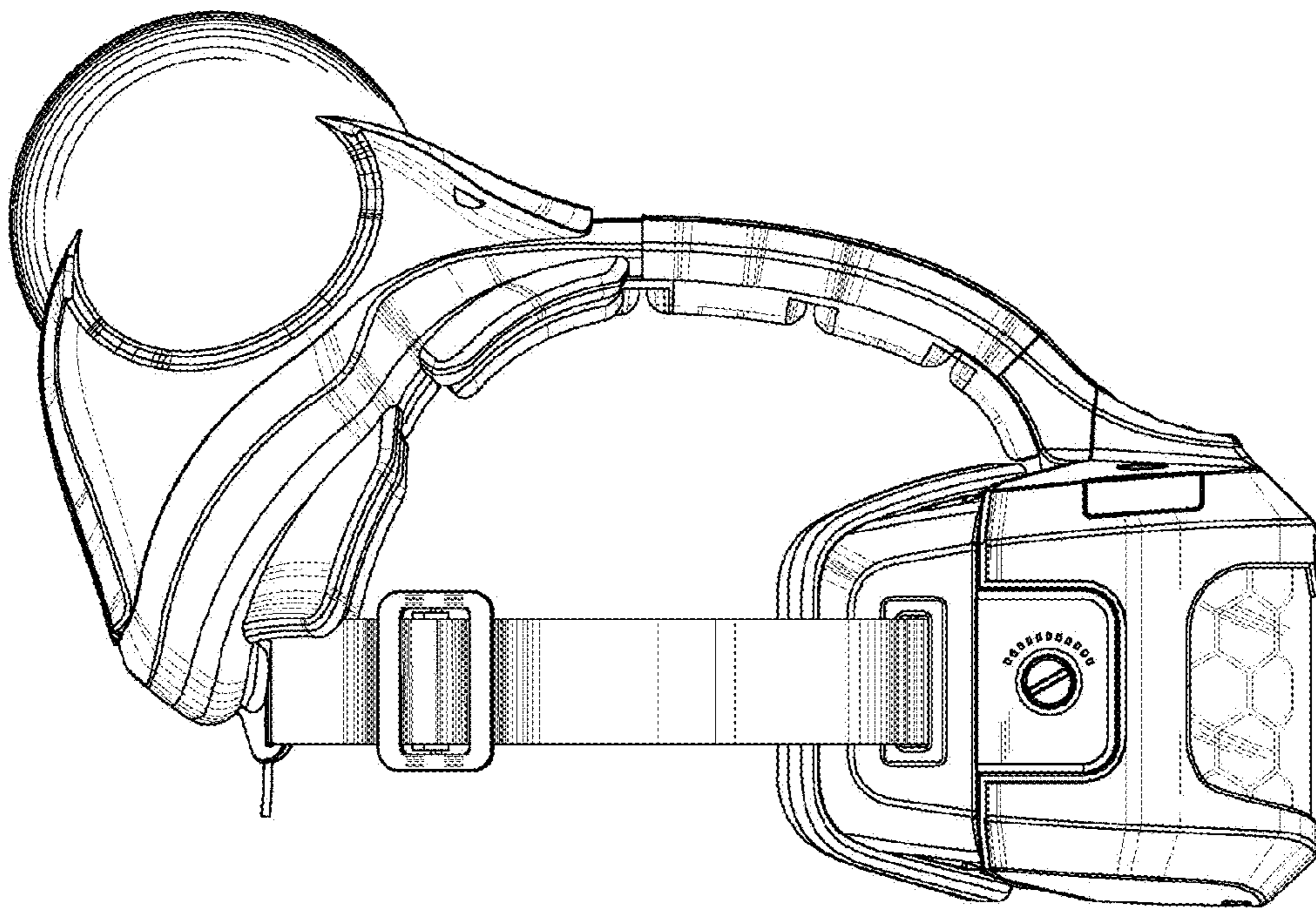


FIG. 2

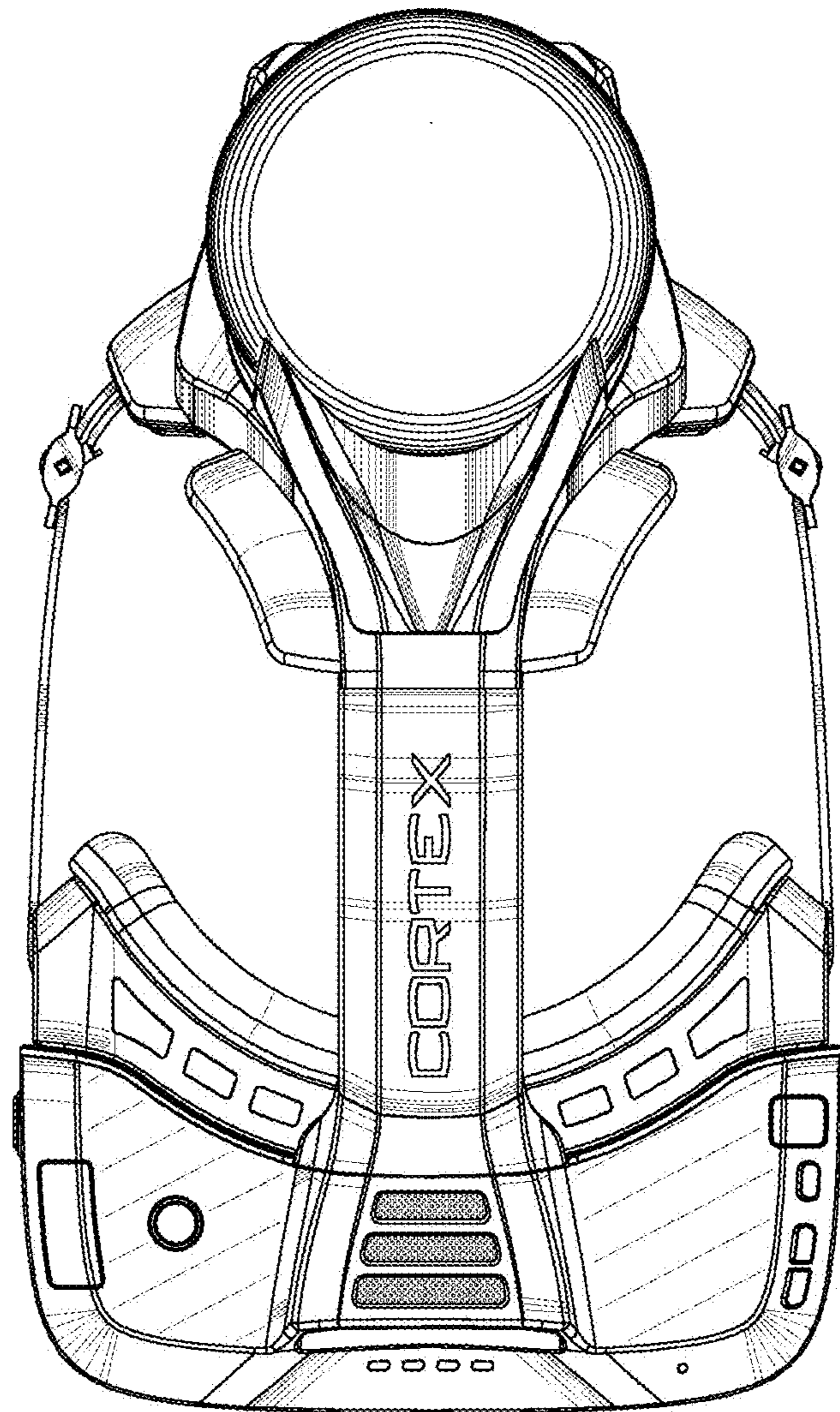


FIG. 3

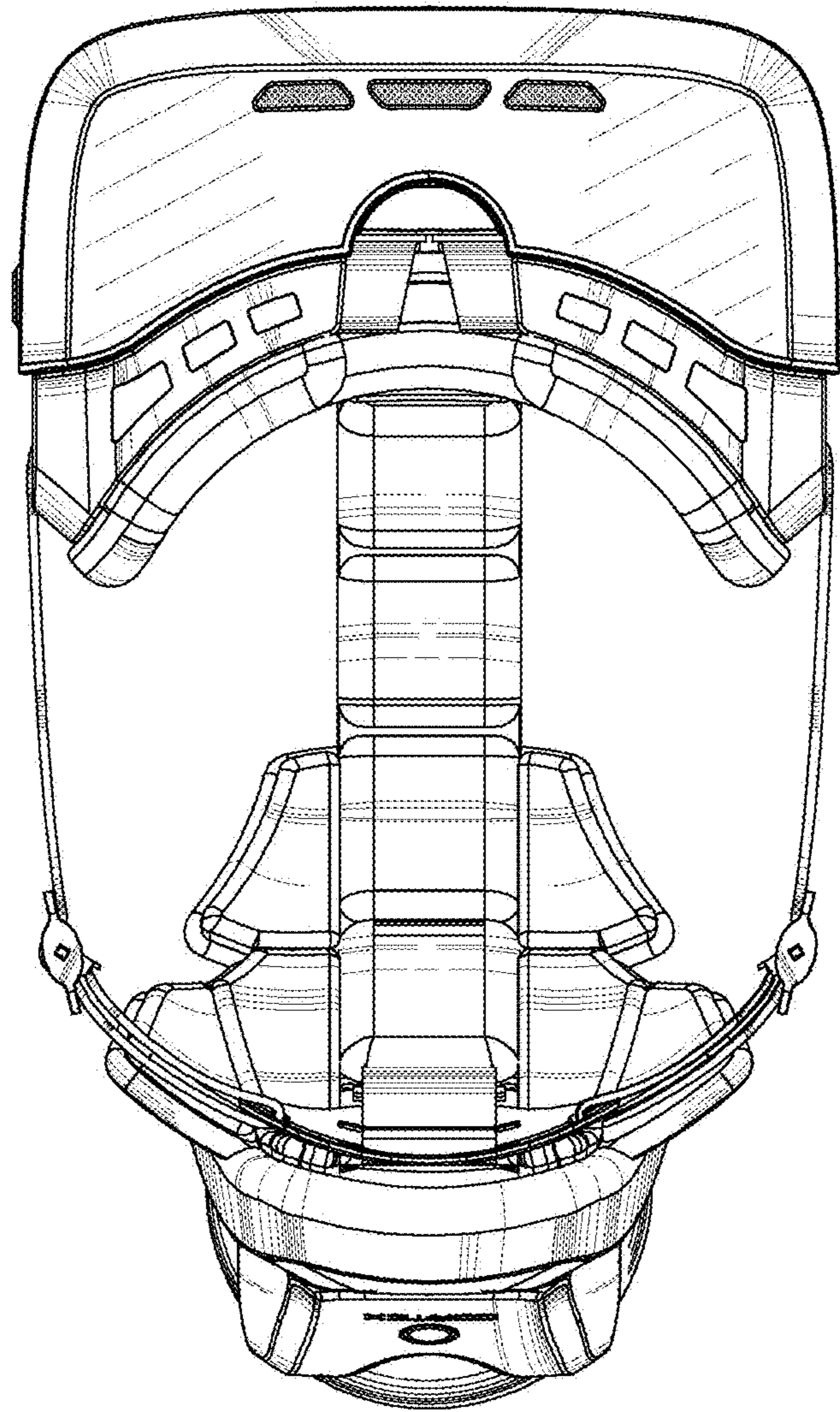


FIG. 4

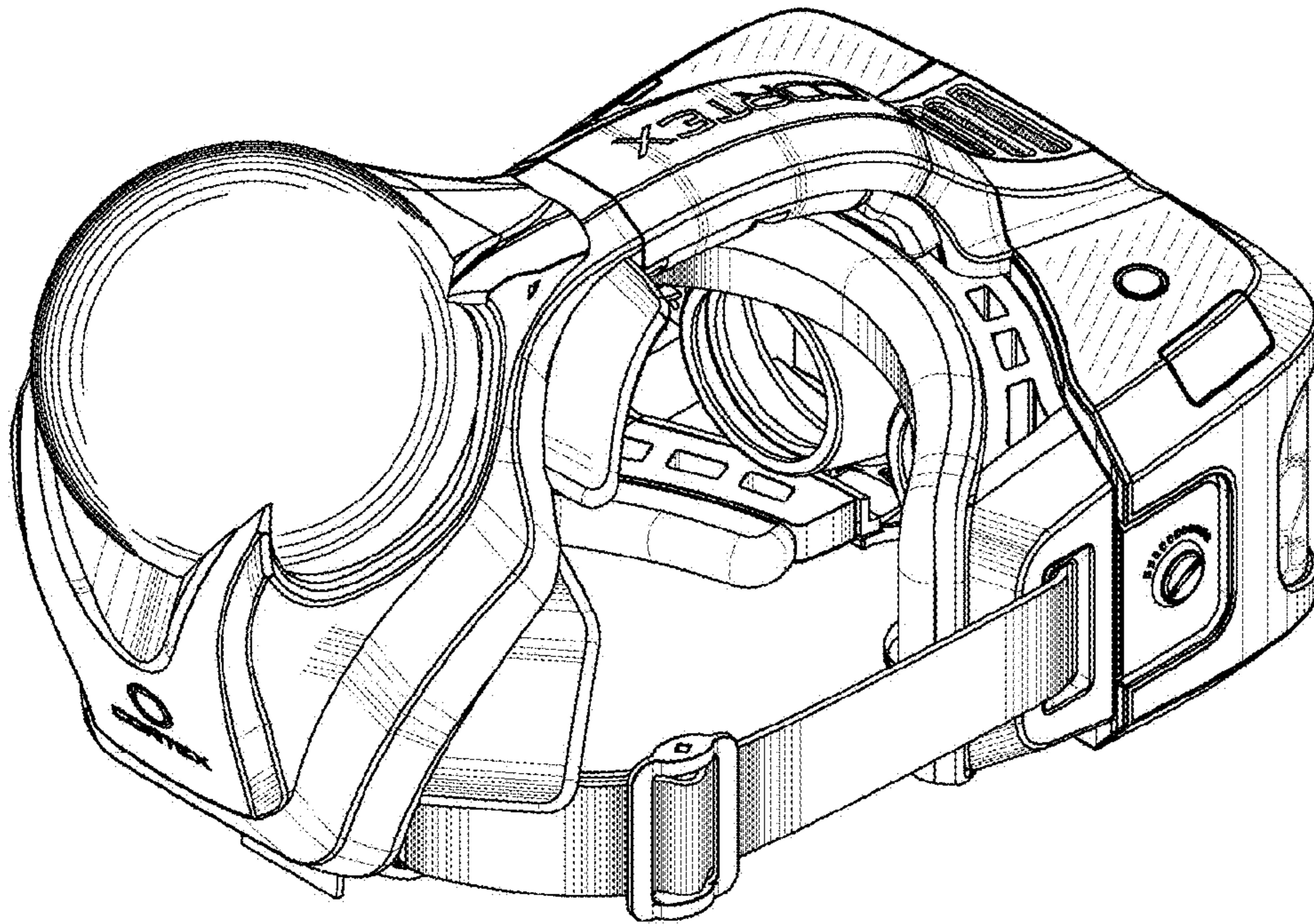


FIG. 5

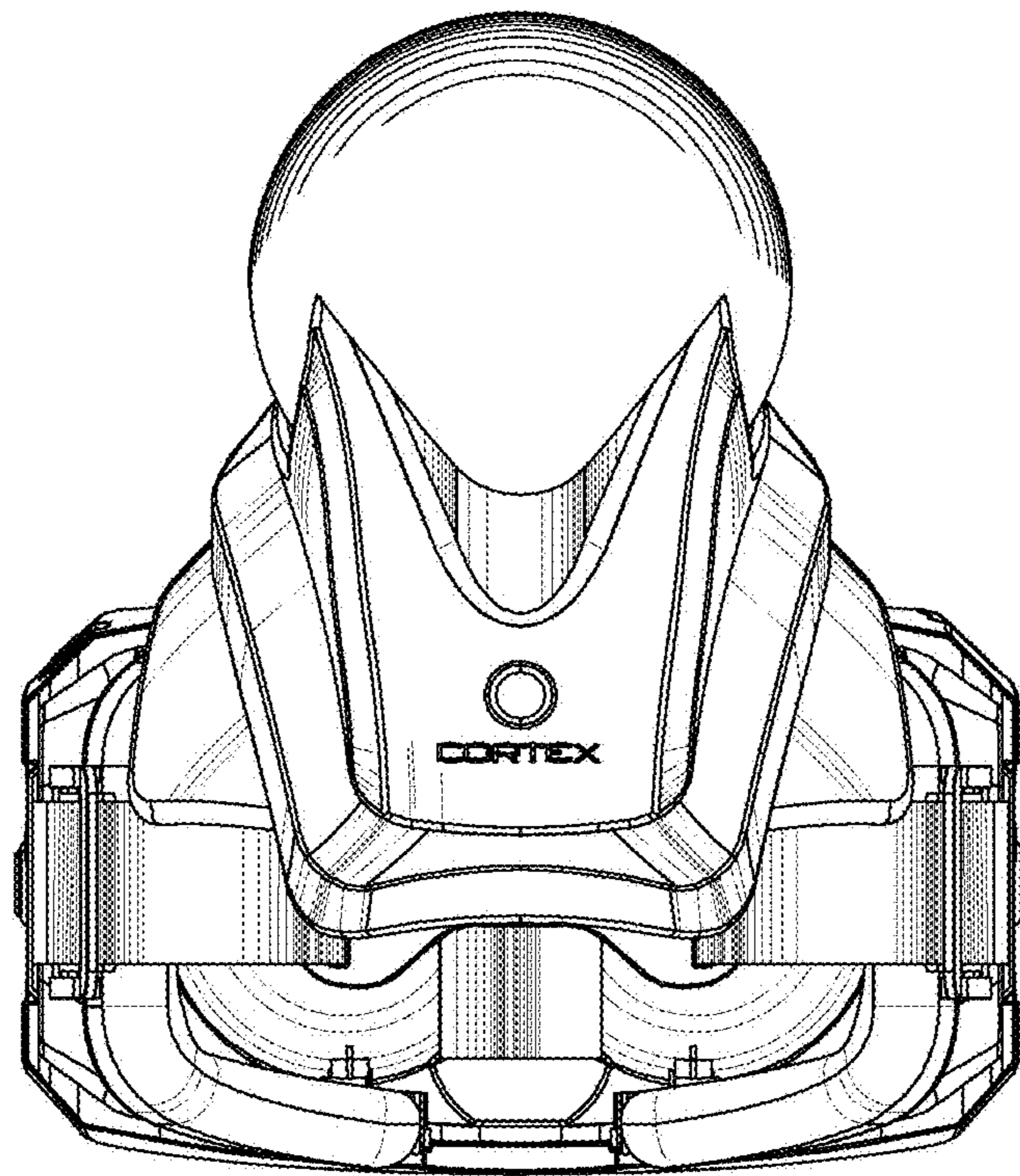


FIG. 6

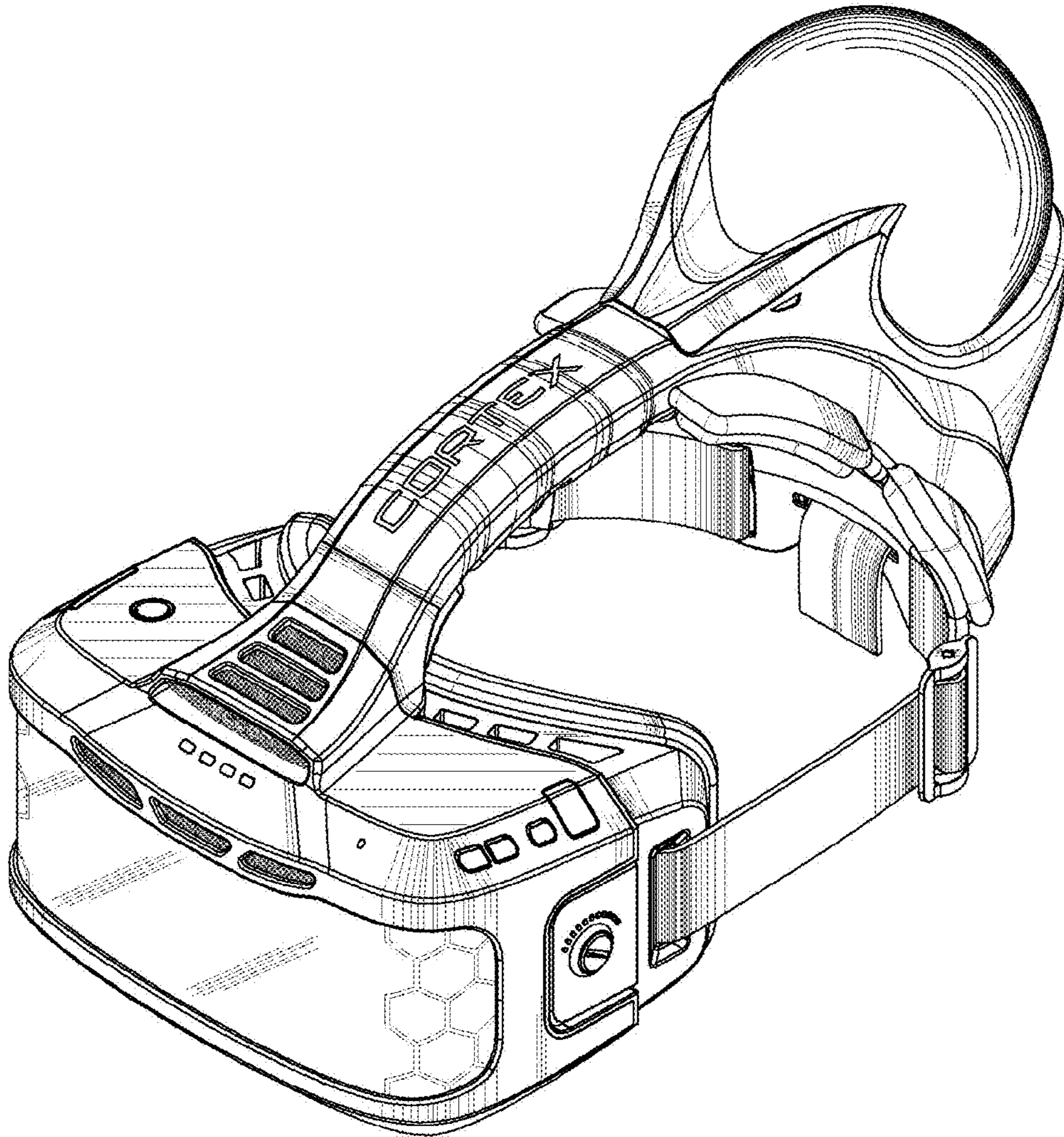


FIG. 7

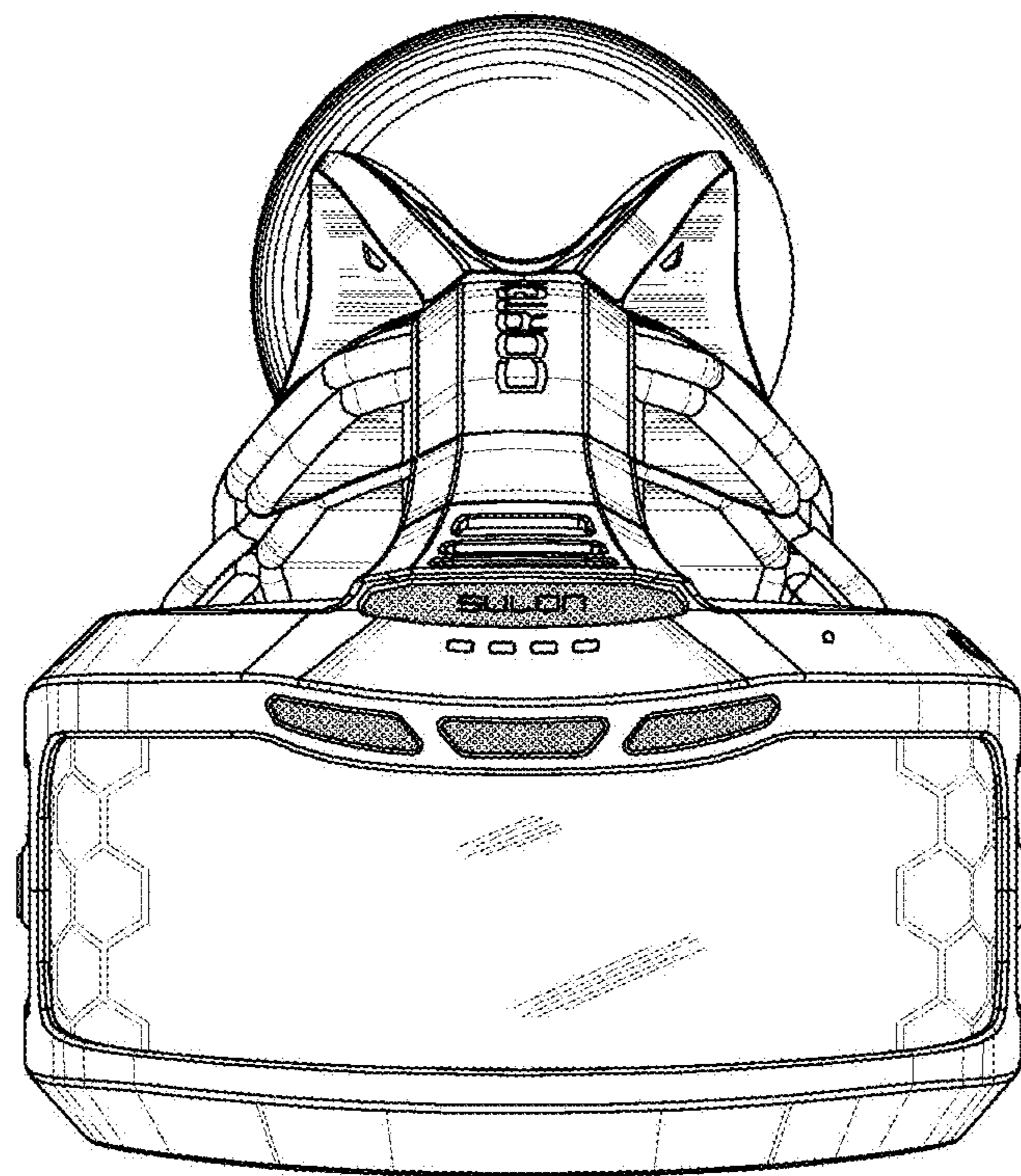


FIG. 8

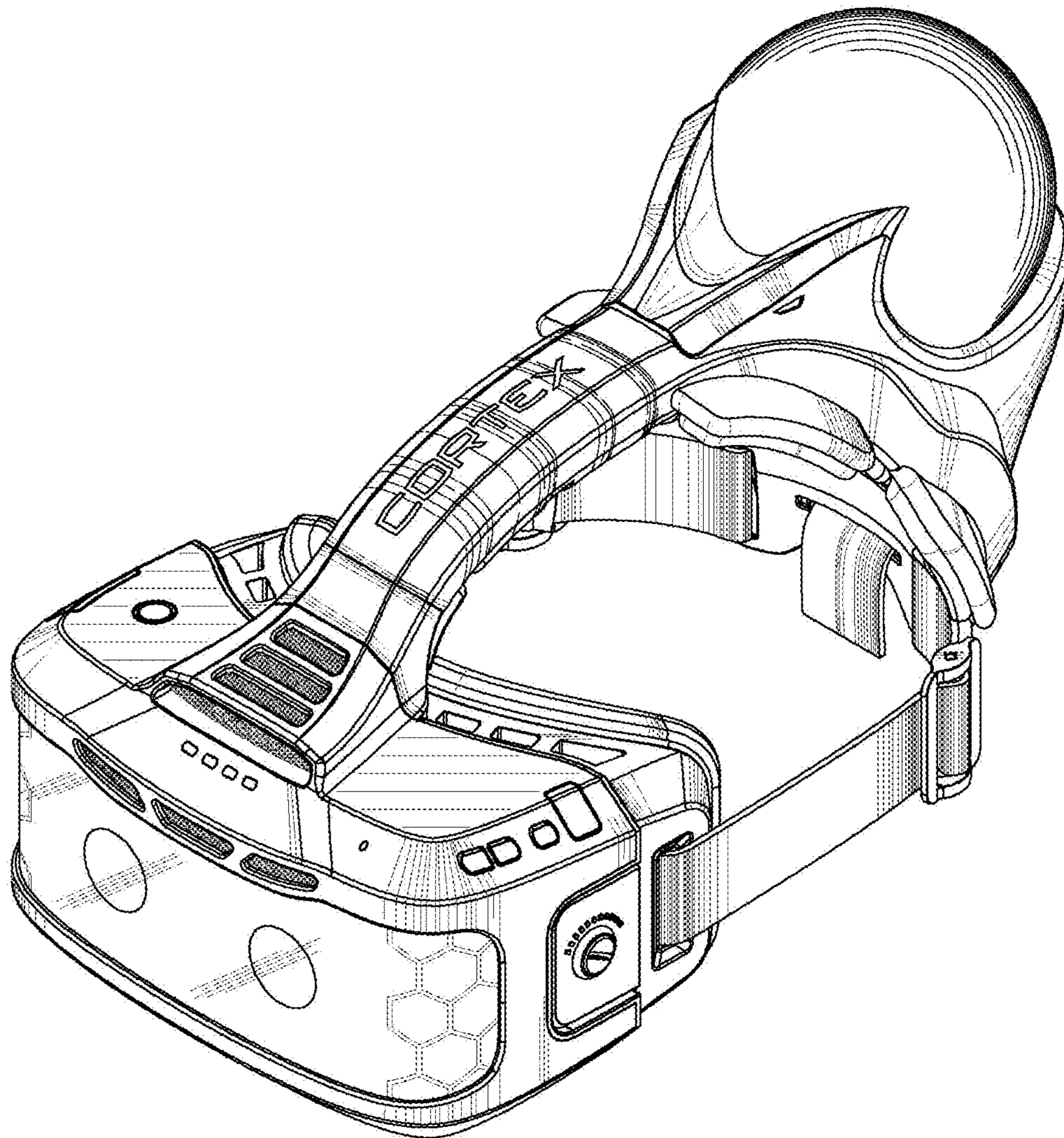


FIG. 9

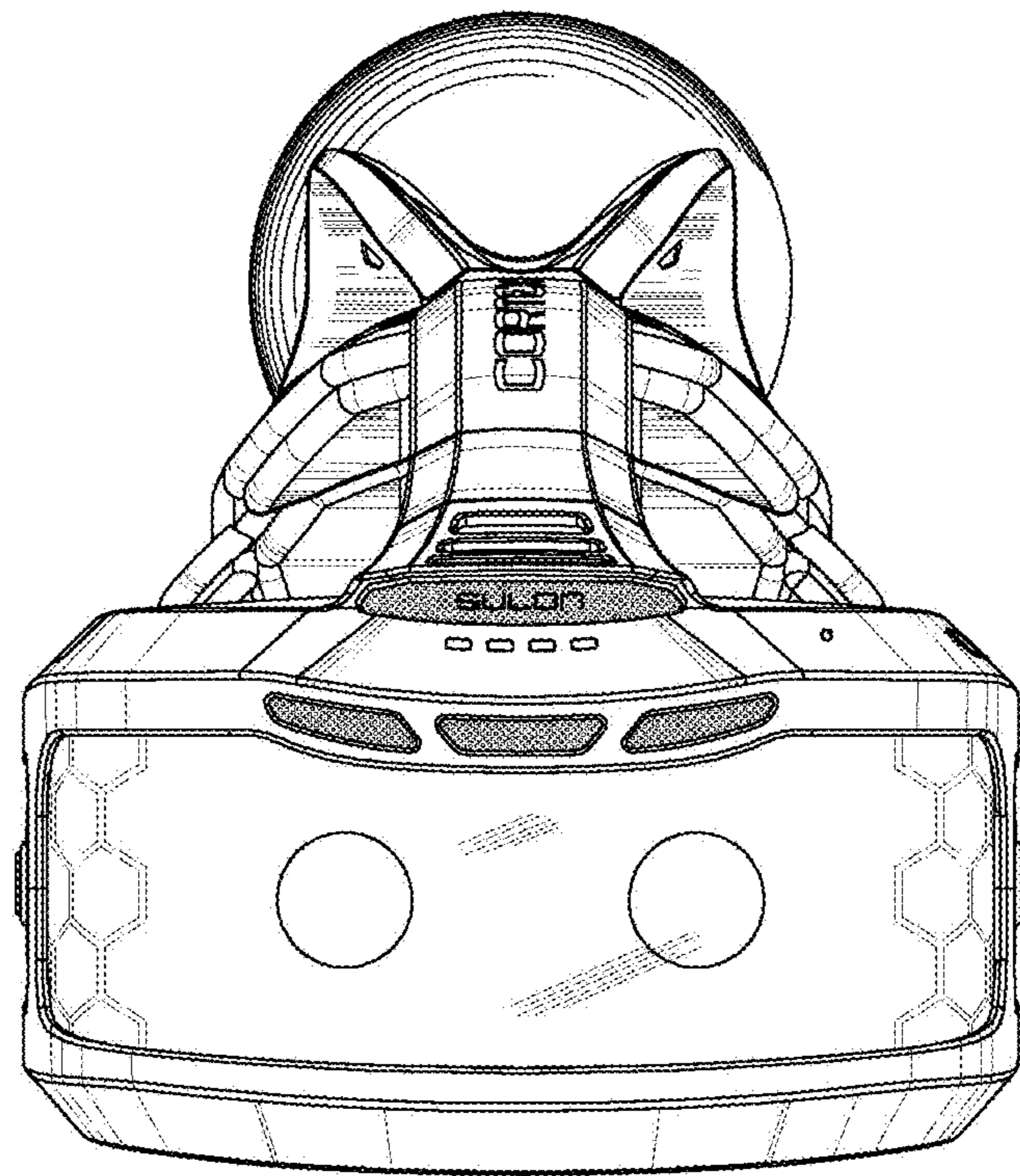


FIG. 10

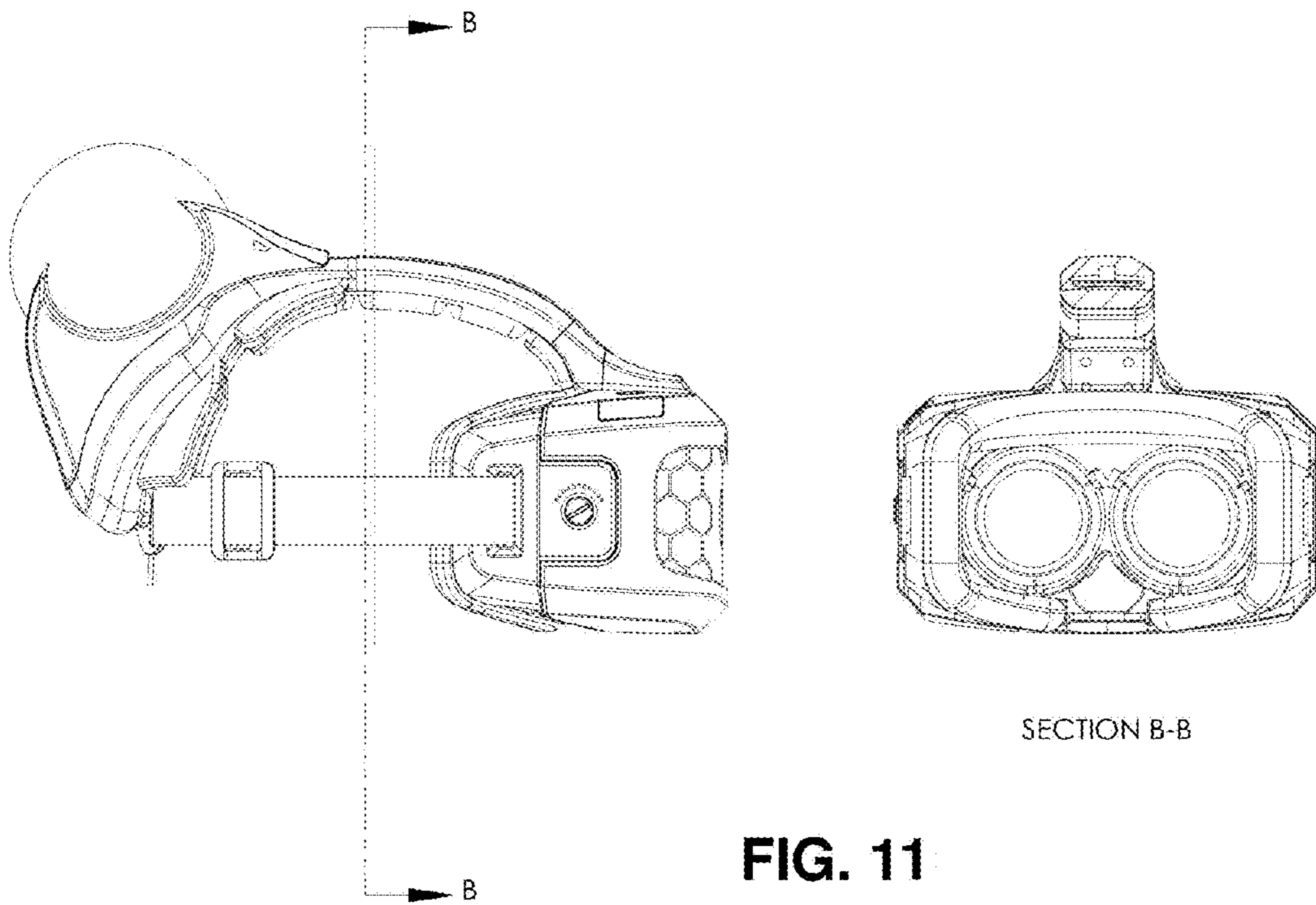


FIG. 11