

US00D762762S

(12) **United States Design Patent**
Scalisi

(10) **Patent No.:** **US D762,762 S**
(45) **Date of Patent:** **** Aug. 2, 2016**

(54) **VIDEO CAMERA DOCK**
(71) Applicant: **SkyBell Technologies, Inc.**, Irvine, CA
(US)
(72) Inventor: **Joseph Frank Scalisi**, Yorba Linda, CA
(US)
(**) Term: **14 Years**

D577,301 S 9/2008 Johnson
D588,574 S 3/2009 Takahata
D595,260 S 6/2009 Takahata
D619,157 S * 7/2010 Kim D16/242
D645,071 S 9/2011 Hinkel
D647,946 S * 11/2011 Raken D16/242
D657,410 S 4/2012 Helaoui
D660,819 S 5/2012 Chen
D664,178 S 7/2012 Hinkel
D666,995 S * 9/2012 TerMeer D14/217
D679,309 S 4/2013 Park

(21) Appl. No.: **29/517,777**

(Continued)

(22) Filed: **Feb. 17, 2015**

OTHER PUBLICATIONS

(51) **LOC (10) Cl.** **16-05**

MySkyBell.com (later SkyBell.com)—Downloaded on Nov. 18, 2013 from <http://www.mskybell.com>.

(52) **U.S. Cl.**

(Continued)

USPC **D16/242**

(58) **Field of Classification Search**

USPC D16/200–204, 208, 218, 237, 242, 243,
D16/244, 245; 248/176.1, 187.1, 917;
348/373, 375; 352/243; 396/419–422,
396/427, 428, 535

Primary Examiner — Susan Bennet Hattan
Assistant Examiner — Leanne Was

CPC H04N 7/185–7/188

(57) **CLAIM**

See application file for complete search history.

The ornamental design for a video camera dock, as shown and described.

(56) **References Cited**

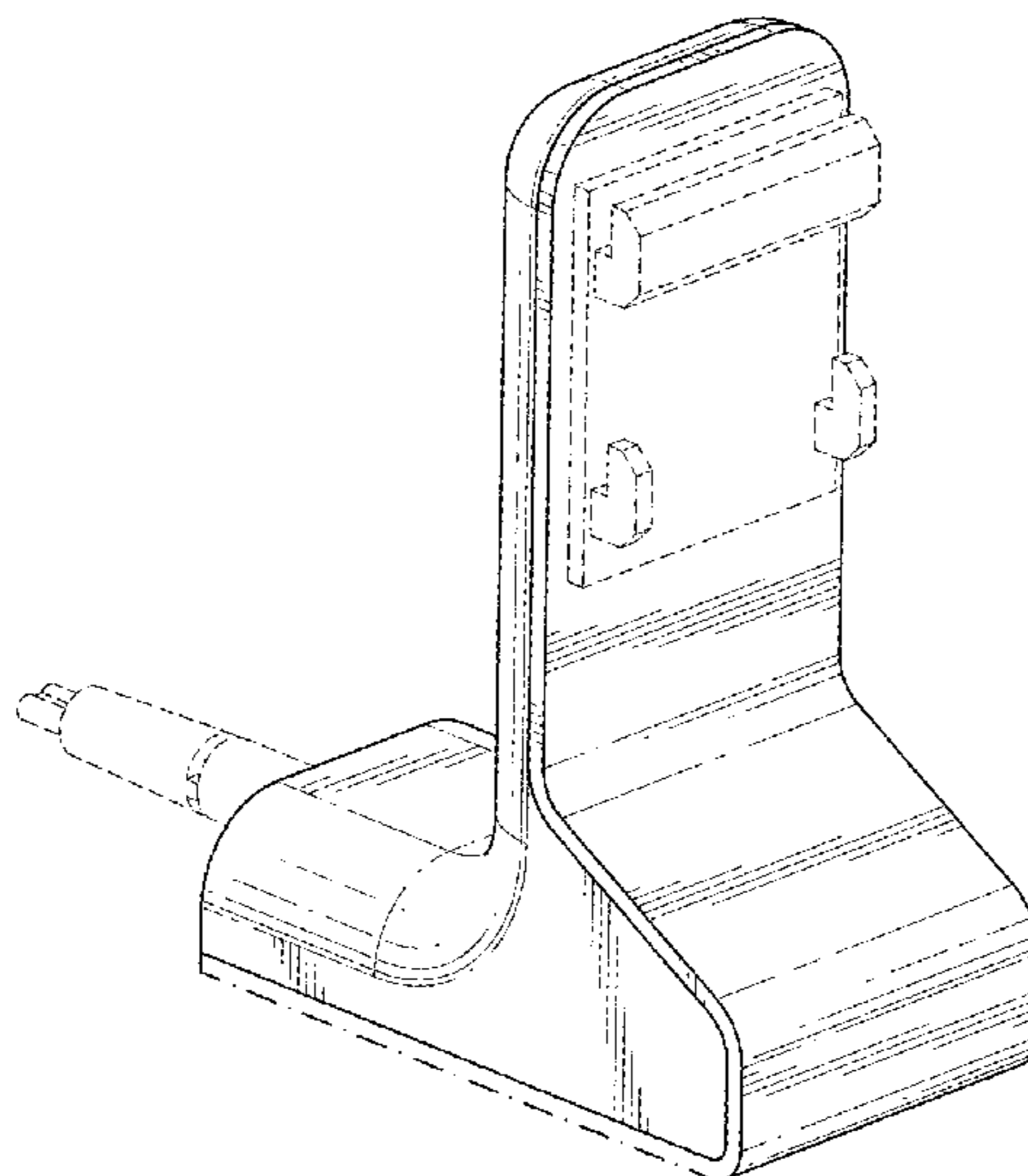
DESCRIPTION

U.S. PATENT DOCUMENTS

D283,130 S 3/1986 Boenning
D297,222 S 8/1988 Rauch
D371,086 S 6/1996 Collins
D381,638 S 7/1997 Kruse
D392,987 S * 3/1998 Sakata D14/423
D404,673 S 1/1999 Gordon
D422,521 S 4/2000 Morrow
D442,617 S 5/2001 Ohmori
D465,532 S * 11/2002 Hussaini D14/432
D489,323 S * 5/2004 Yoshida D13/108
D500,751 S 1/2005 Yukikado
D519,100 S 4/2006 Shioya
D522,490 S 6/2006 Yukikado
D525,963 S 8/2006 Yukikado
7,113,578 B2 9/2006 Unger
D531,160 S 10/2006 Yukikado
D562,306 S 2/2008 Jeong

FIG. 1 is a front, side, and top perspective view of a video camera dock embodying the new design.
FIG. 2 is a back, side, and bottom perspective view thereof.
FIG. 3 is a front view thereof.
FIG. 4 is a back view thereof.
FIG. 5 is a right side view thereof, the left side view being a mirror image.
FIG. 6 is a top view thereof; and,
FIG. 7 is a bottom view thereof.
The dash-dot-dash lines represent the boundary of the claimed design. The uniform repeating broken lines depict portions of the video camera dock that form no part of the claimed design.

1 Claim, 4 Drawing Sheets



(56)

References Cited

U.S. PATENT DOCUMENTS

D689,536 S 9/2013 Li
 D692,847 S 11/2013 Barley
 D694,306 S 11/2013 Katori
 8,780,201 B1 7/2014 Scalisi
 D710,727 S 8/2014 Siminoff
 D710,728 S 8/2014 Siminoff
 D711,275 S 8/2014 Scalisi
 D719,994 S 12/2014 Wang
 D721,755 S 1/2015 Ahman
 D727,769 S 4/2015 Scalisi
 D729,678 S 5/2015 Scalisi
 D729,859 S 5/2015 Shin
 D732,547 S * 6/2015 McClelland D14/450
 9,058,738 B1 6/2015 Scalisi
 9,113,051 B1 * 8/2015 Scalisi H04N 7/185
 D741,866 S * 10/2015 Ballout D14/434
 D745,080 S * 12/2015 Masano D16/237
 9,237,318 B2 * 1/2016 Kasmir H04N 5/33
 9,247,219 B2 * 1/2016 Kasmir G08B 3/10
 9,253,455 B1 * 2/2016 Harrison H04M 1/0291
 D753,664 S * 4/2016 McClelland D14/450

2013/0045763 A1 2/2013 Ruiz
 2014/0125754 A1 5/2014 Haywood
 2015/0022618 A1 1/2015 Siminoff
 2015/0022620 A1 1/2015 Siminoff
 2015/0049191 A1 2/2015 Scalisi
 2015/0319411 A1 * 11/2015 Kasmir G08B 3/10
 348/143
 2015/0341603 A1 * 11/2015 Kasmir H04N 5/33
 348/143
 2015/0358515 A1 * 12/2015 Resnick H04N 5/2253
 348/373
 2016/0044287 A1 * 2/2016 Scalisi G08B 13/19684
 348/159

OTHER PUBLICATIONS

DefenDoor by Glate LLL—Downloaded on Dec. 11, 2014 from <https://www.kickstarter.com/projects/85455040/defendoor-a-home-security-system-that-syncs-with-y>.
 EyeTalk—Downloaded on May 24, 2013 from <http://www.revolutionaryconceptsinc.com/forhome.html>.
 August Smart Lock—Downloaded on Oct. 10, 2014 from www.august.com.

* cited by examiner

FIG. 1

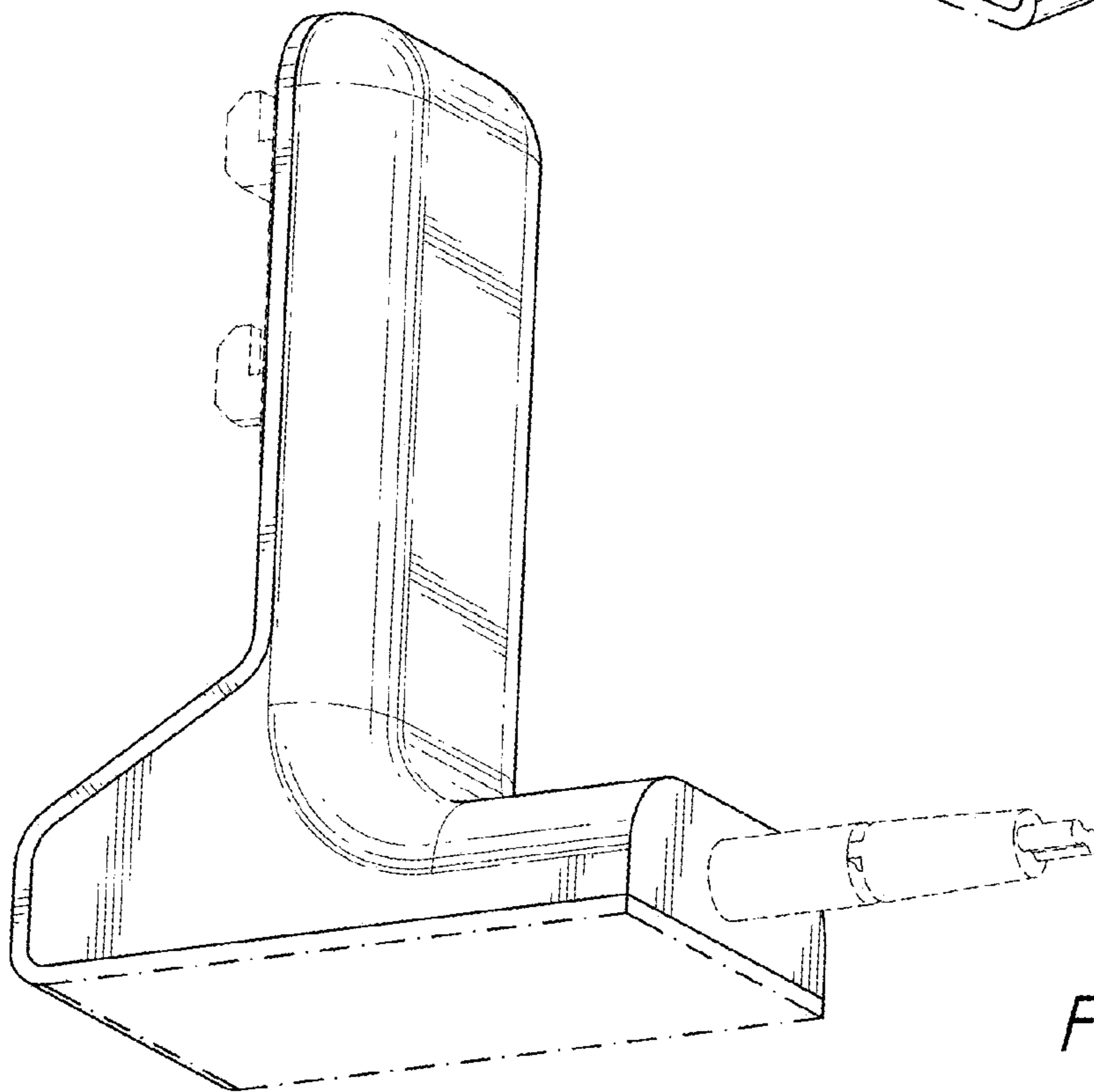
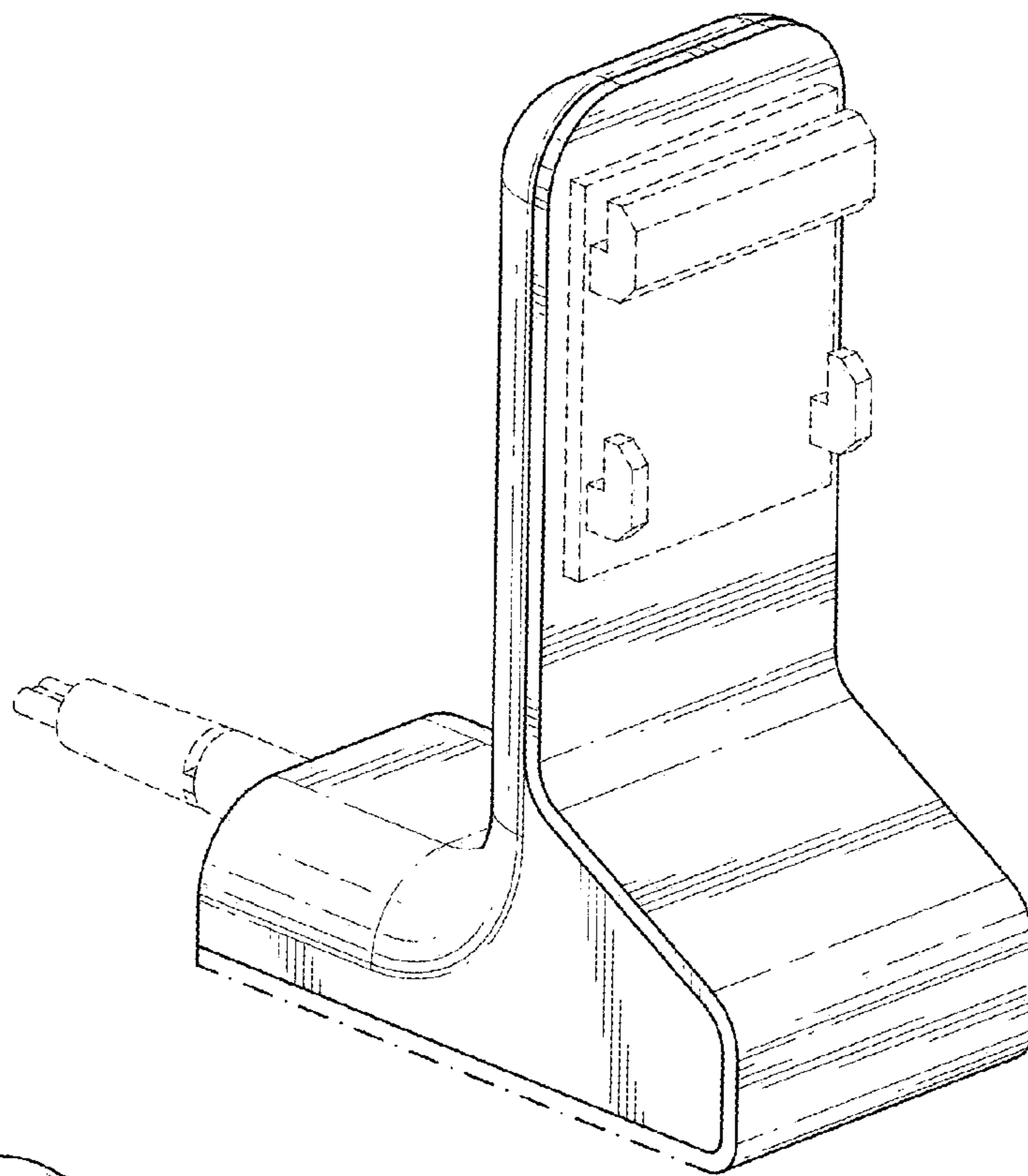


FIG. 2

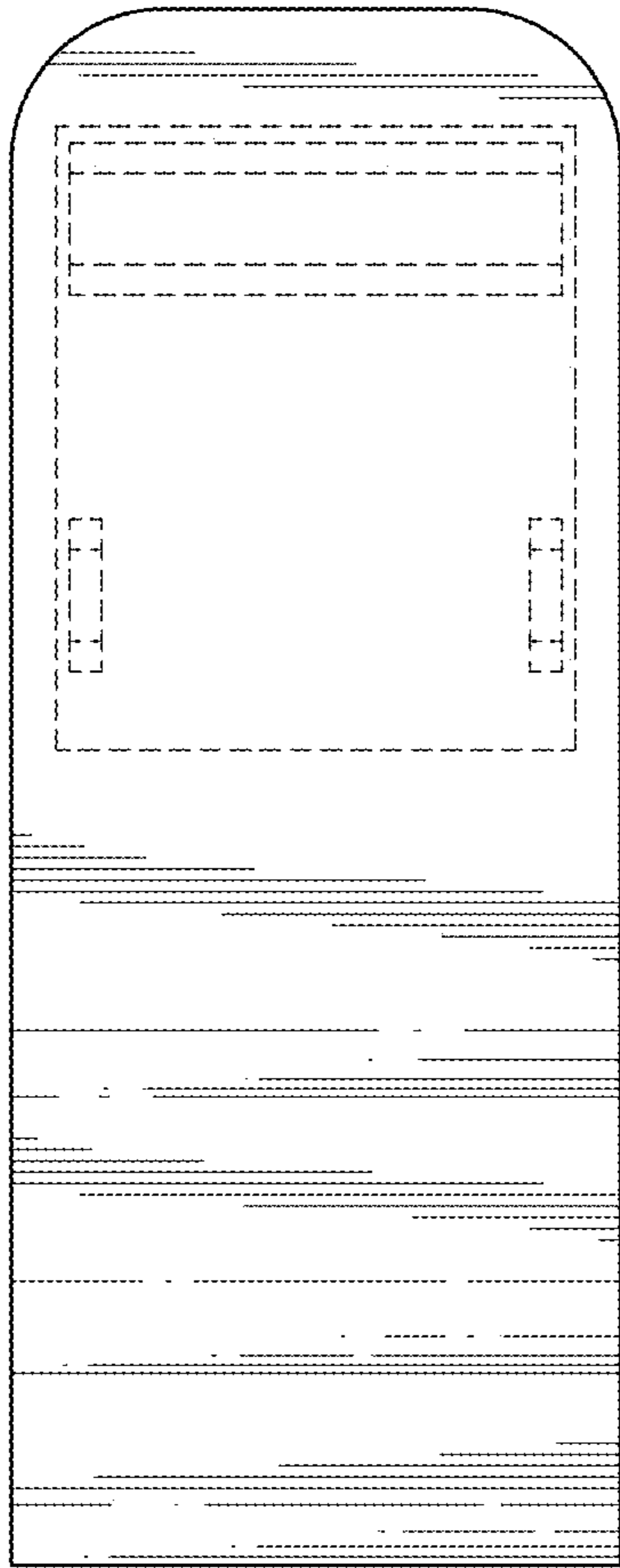


FIG. 3

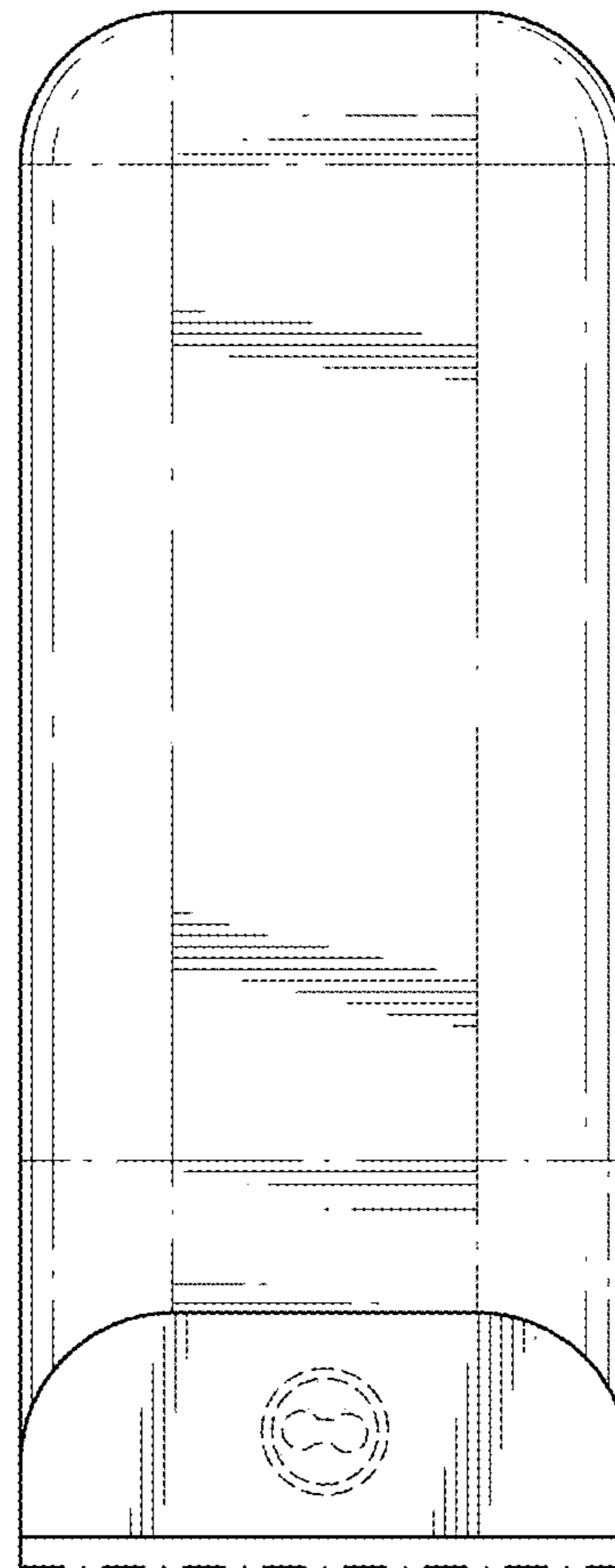


FIG. 4

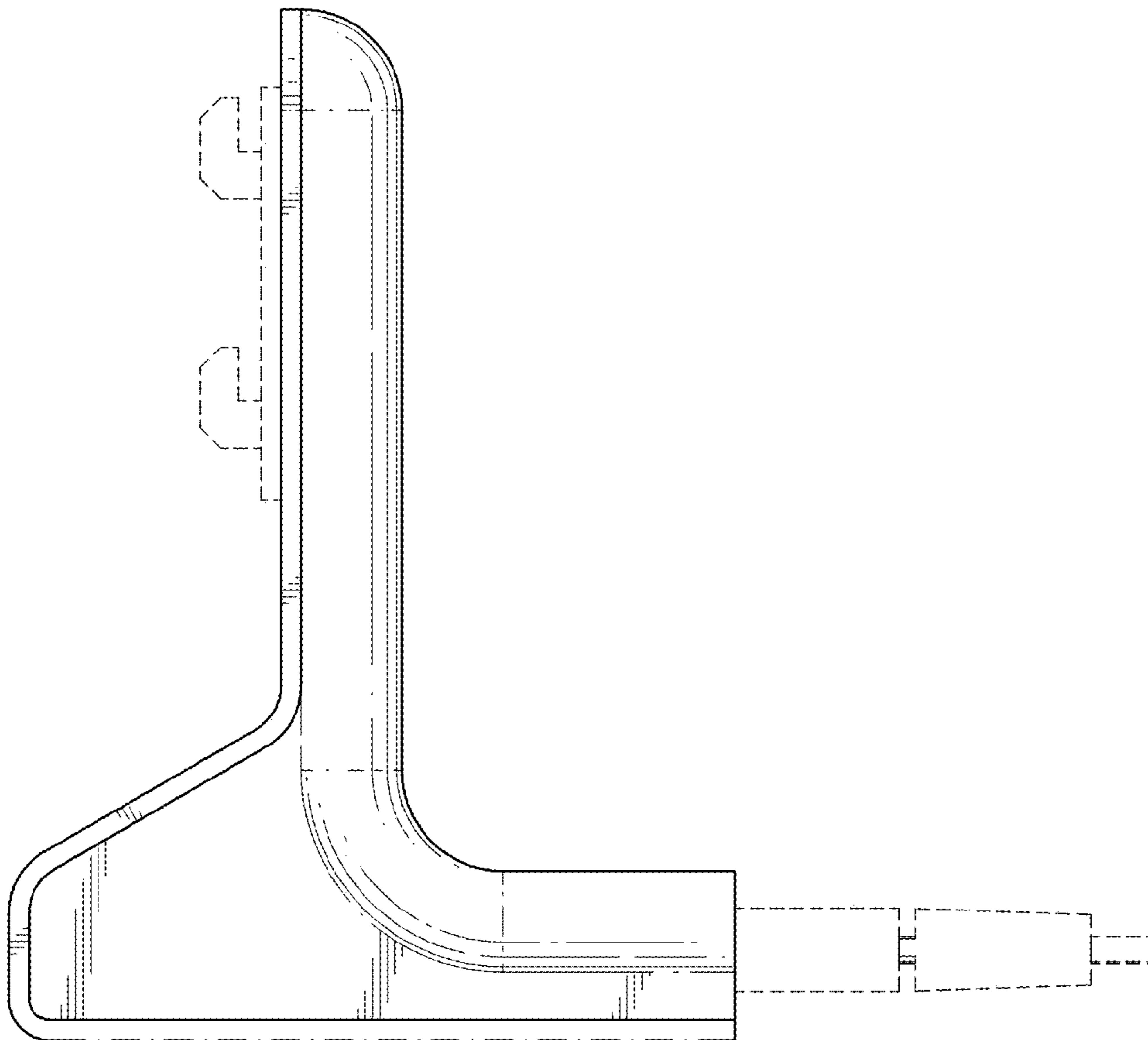


FIG. 5

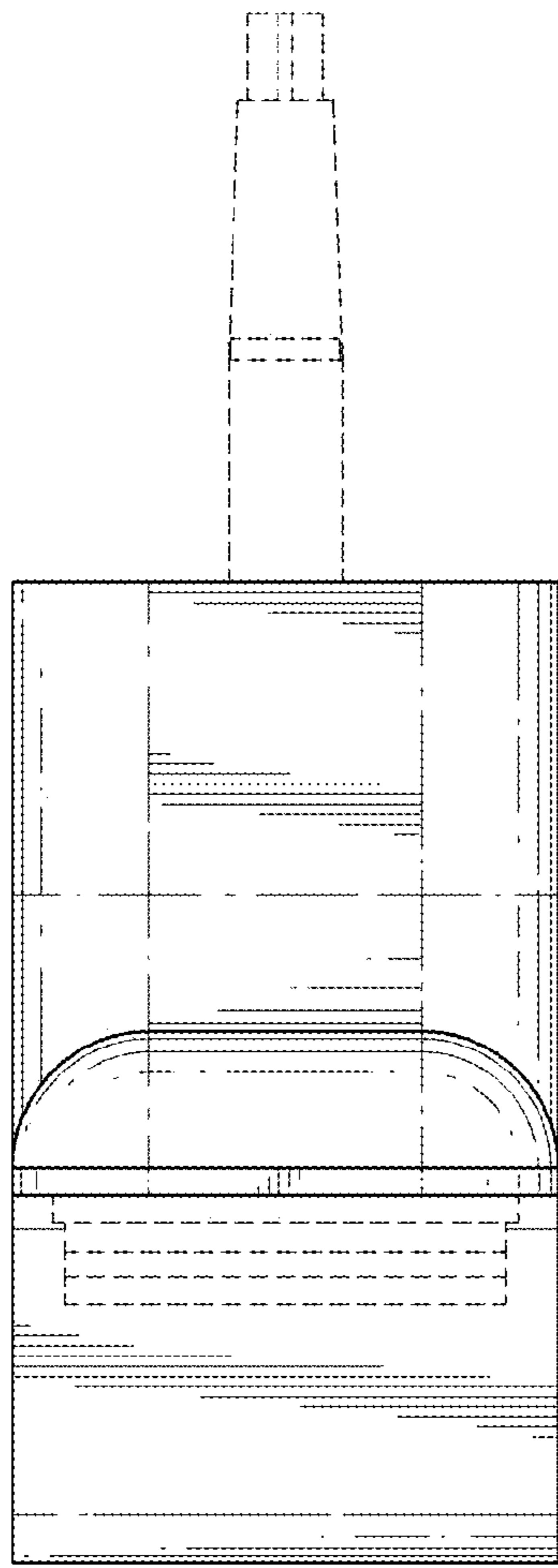


FIG. 6

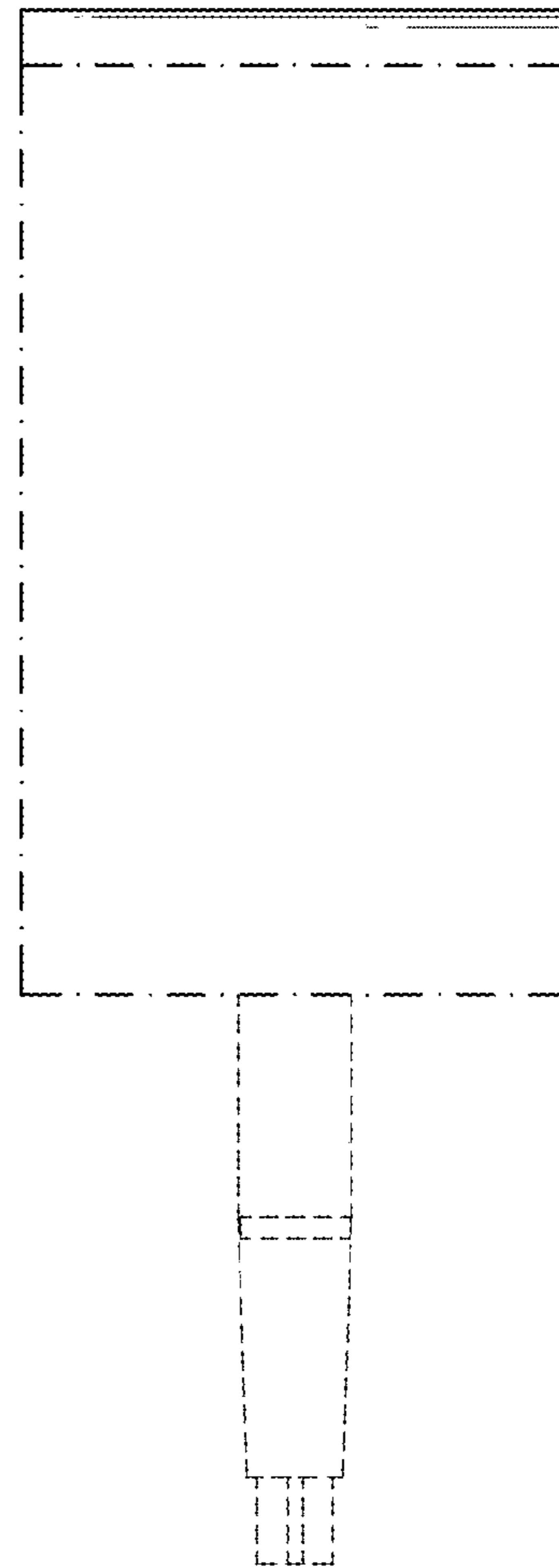


FIG. 7