



US00D762761S

(12) **United States Design Patent**
Daniel

(10) **Patent No.:** **US D762,761 S**

(45) **Date of Patent:** **** Aug. 2, 2016**

(54) **APPARATUS FOR HOLOGRAPHIC VIDEO
CONFERENCING**

Primary Examiner — Wan Laymon

(74) *Attorney, Agent, or Firm* — Carol N. Green Kaul, Esq.

(71) Applicant: **Isaac S. Daniel**, Miramar, FL (US)

(72) Inventor: **Isaac S. Daniel**, Miramar, FL (US)

(**) Term: **14 Years**

(21) Appl. No.: **29/521,246**

(22) Filed: **Mar. 20, 2015**

(51) **LOC (10) Cl.** **16-02**

(52) **U.S. Cl.**
USPC **D16/235; D16/208**

(58) **Field of Classification Search**
USPC D16/221, 225, 229–232, 235, 202, 208
CPC G03B 21/00; G03B 21/14; G03B 21/142;
G03B 21/56; G03H 1/00; G03H 1/0005;
G03H 1/08; G02B 27/143–27/144; H04N
1/00127; H04N 1/00129; H04N 1/00153;
H04N 1/00156; H04N 1/00164

See application file for complete search history.

(56) **References Cited**

U.S. PATENT DOCUMENTS

6,072,600	A *	6/2000	Wertsberger	H04N 1/00127 358/400
6,206,524	B1 *	3/2001	Jacob	G03B 21/00 353/119
7,057,581	B1 *	6/2006	Knabenbauer	G02B 27/2264 345/32
D617,361	S *	6/2010	Simonsen	D16/225
2008/0144175	A1 *	6/2008	Simonsen	G02B 27/144 359/479

* cited by examiner

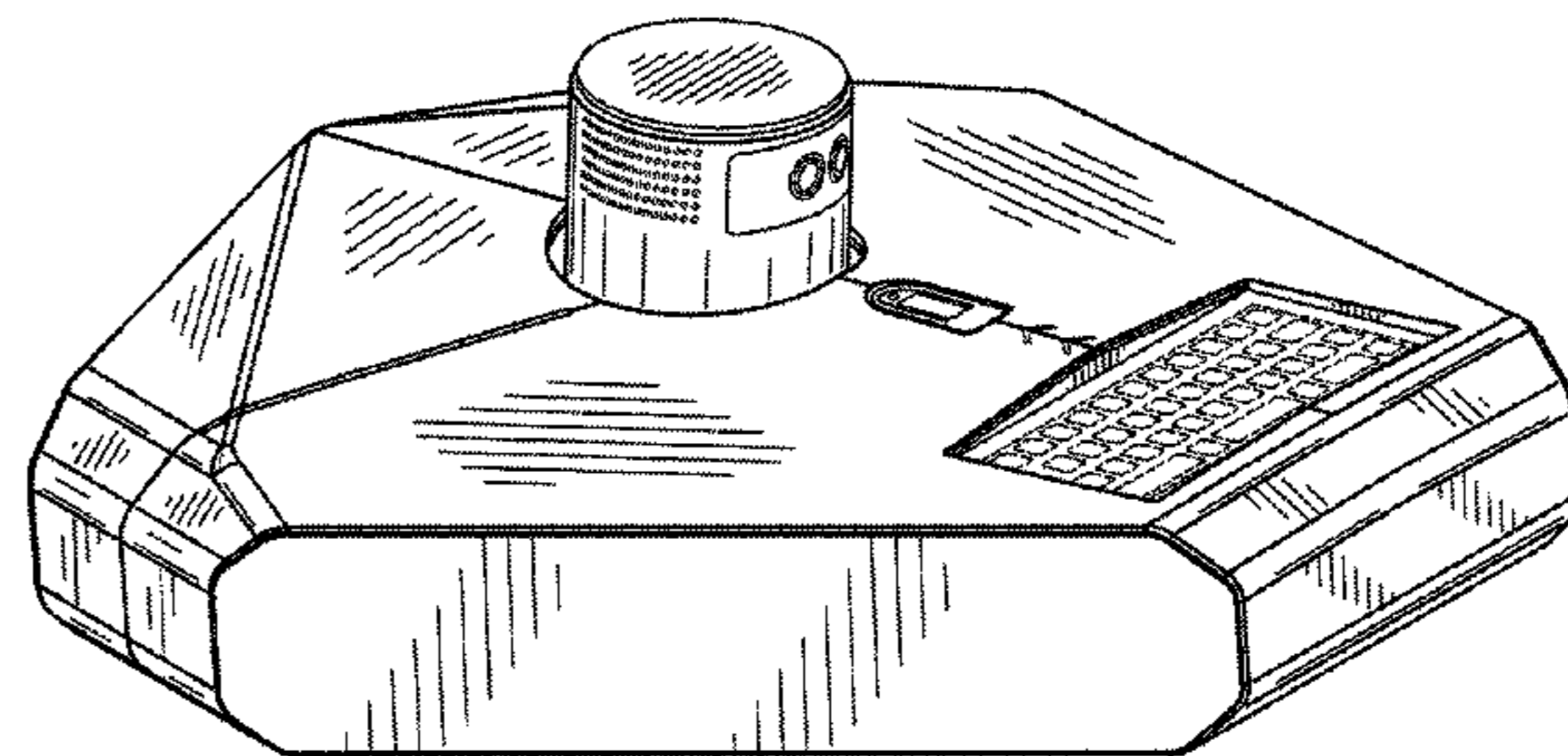
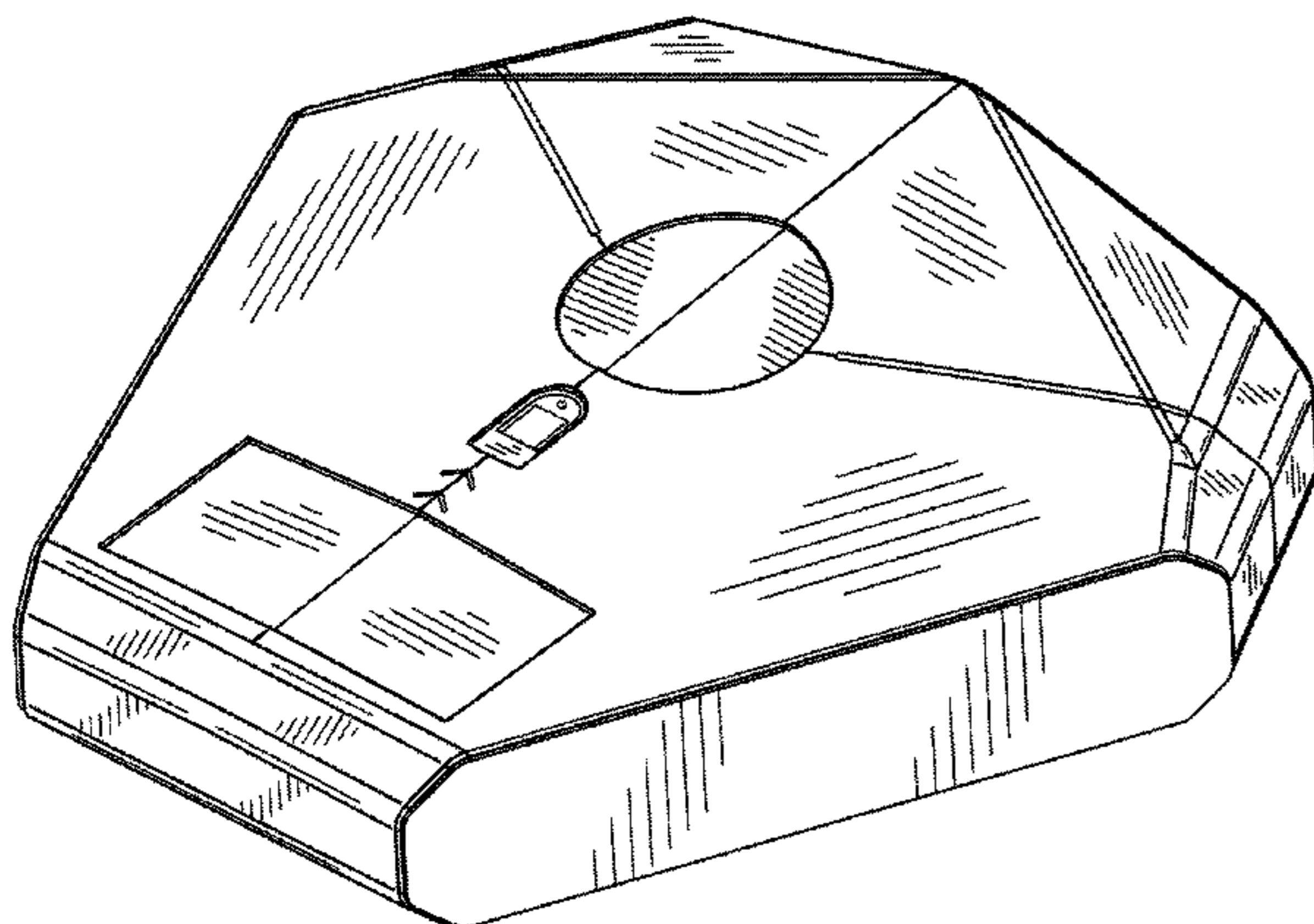
(57) **CLAIM**

The ornamental design for the apparatus for holographic video conferencing, as shown and described.

DESCRIPTION

FIG. 1 is a top perspective view of the invention.
 FIG. 2 is a bottom perspective view of the invention.
 FIG. 3 is a top plan view of the invention.
 FIG. 4 is a bottom plan view of the invention.
 FIG. 5 is a left side view of the invention with the retractable camera lens extended.
 FIG. 6 is a right side view of the invention.
 FIG. 7 is a front perspective view of the invention with the retractable camera lens in the extended position.
 FIG. 8 is a rear perspective view of the invention.
 FIG. 9 is a top plan view of the invention with the camera window and the keyboard window partially open.
 FIG. 10 is a top perspective view of the invention with the camera window and the keyboard window partially open.
 FIG. 11 is front perspective view of the invention in use with the camera window and the keyboard window fully open.
 FIG. 12 is rear perspective view of the invention in use with a projector screen; and,
 FIG. 13 is front perspective view of the invention in use with a projector screen.
 The dotted lines in FIGS. 2, 8-13 are for illustrative purposes only showing environment, forming no part of the claimed design.

1 Claim, 11 Drawing Sheets



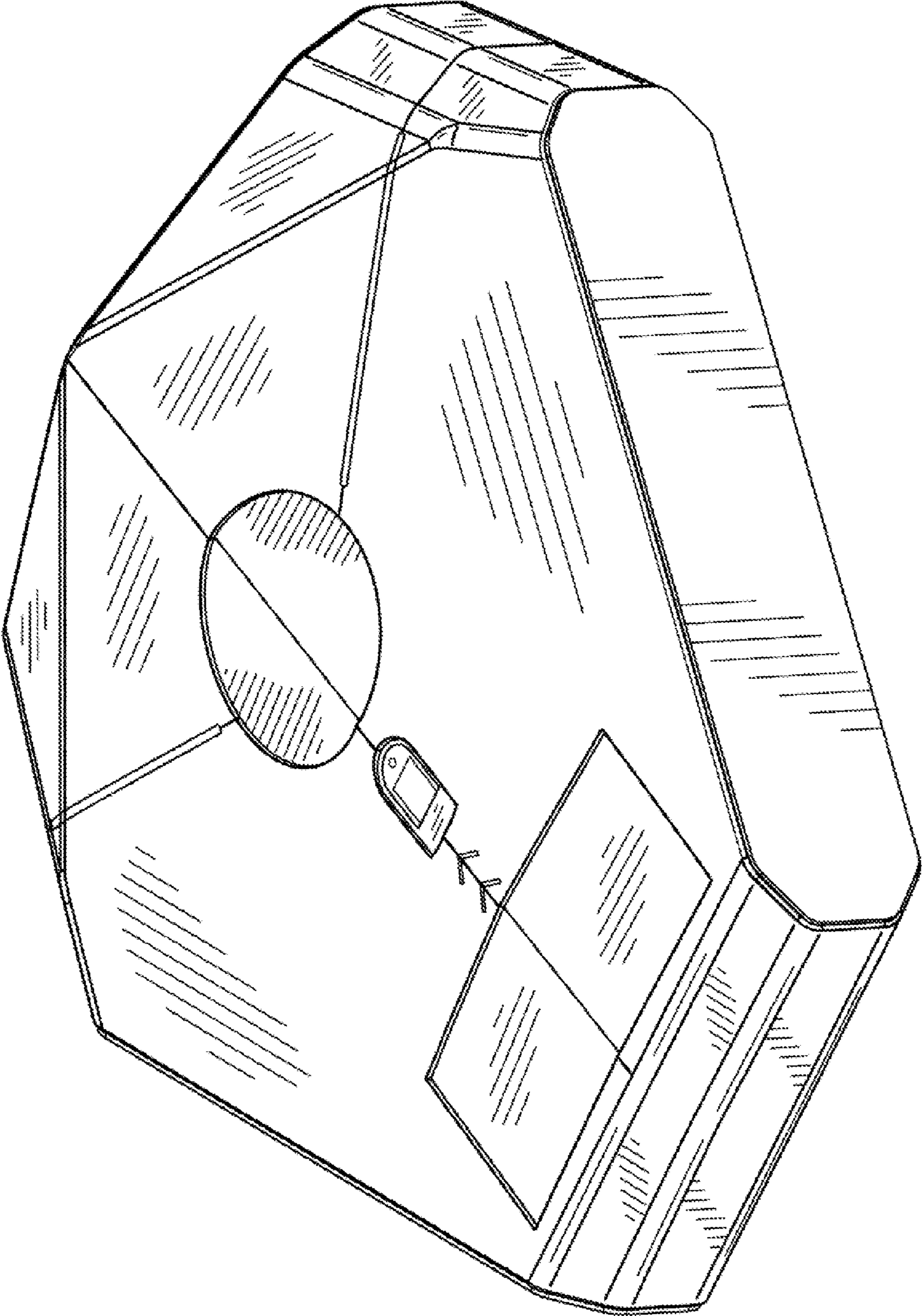


FIG. 1

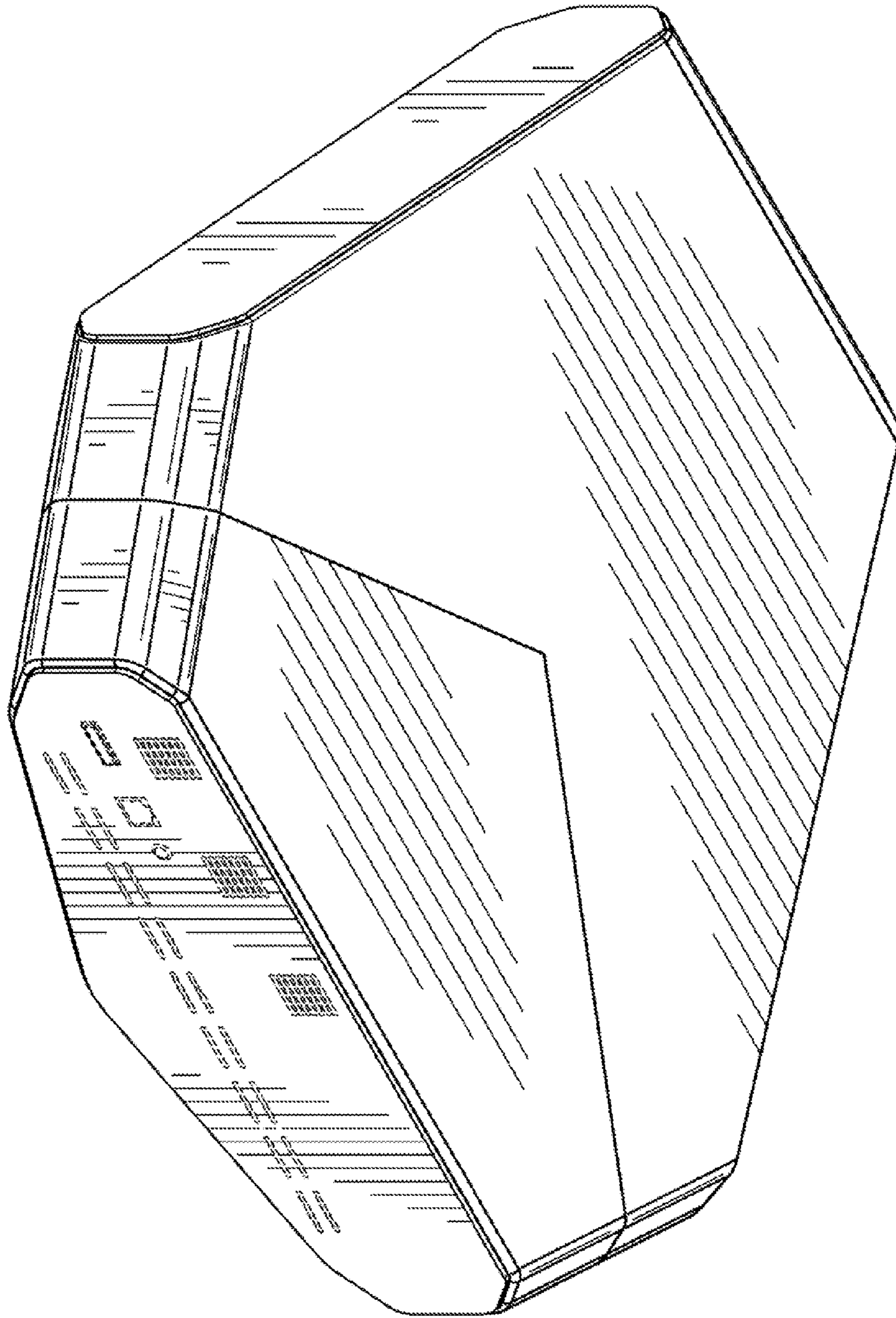


FIG. 2

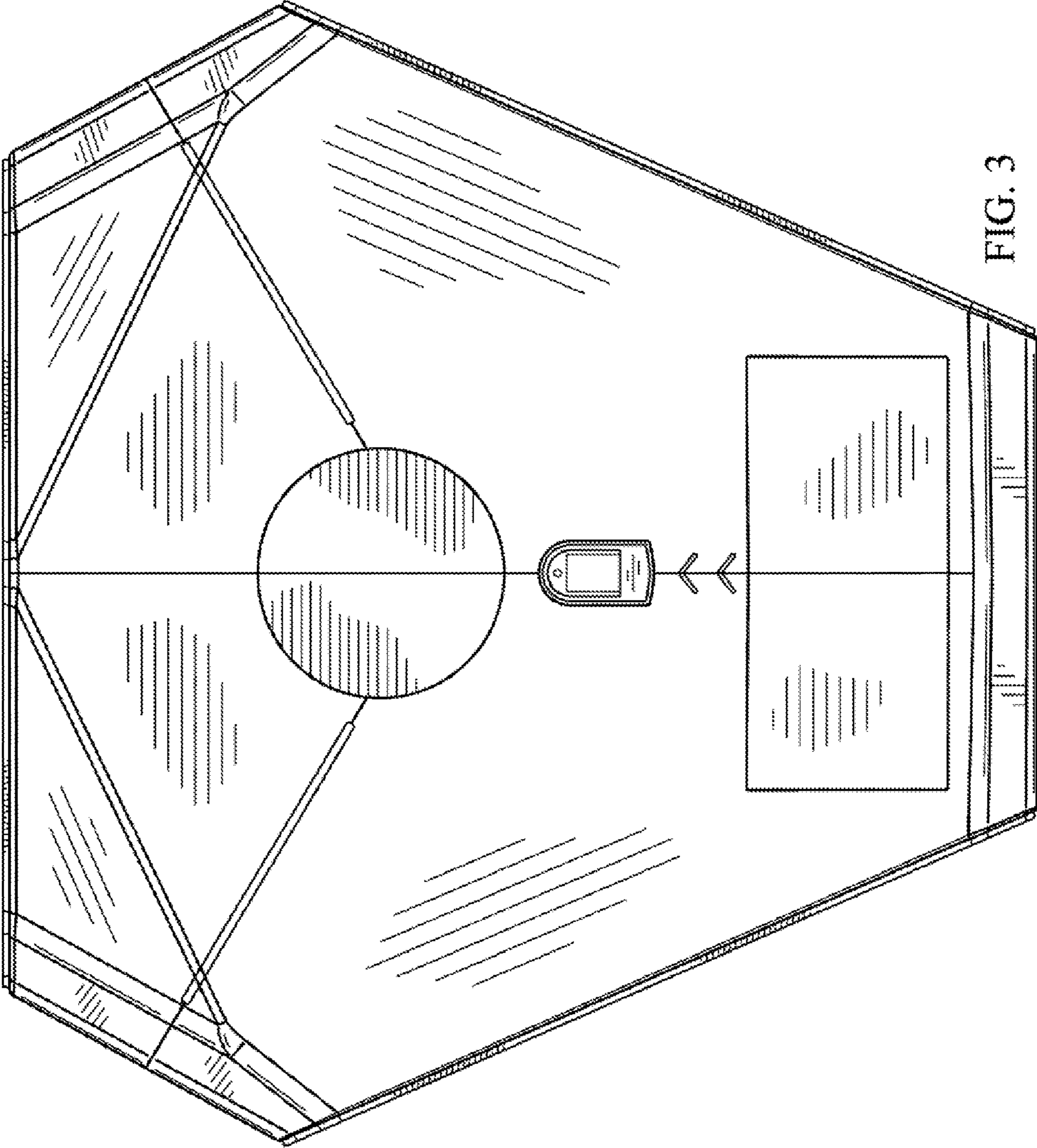


FIG. 3

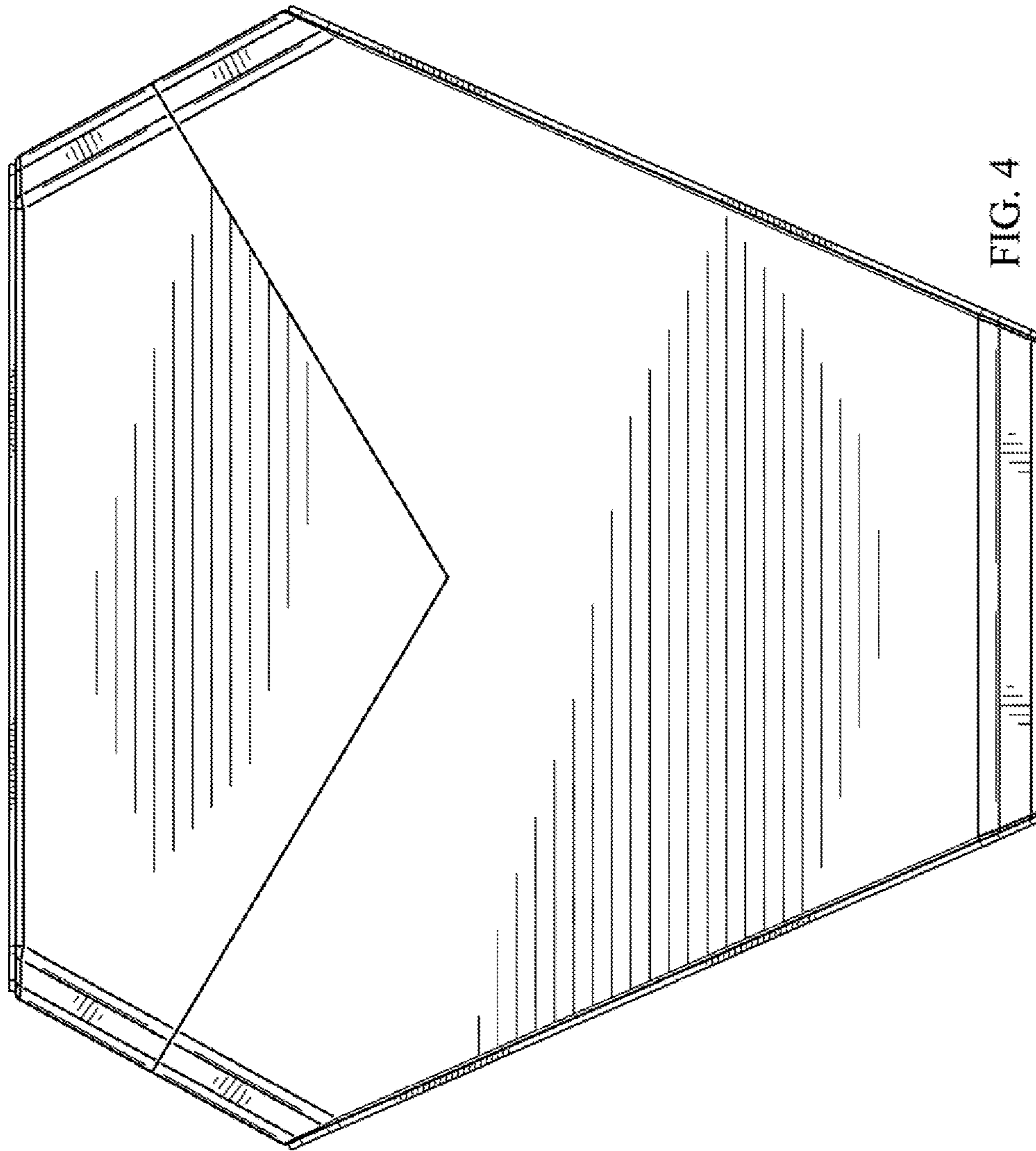


FIG. 4

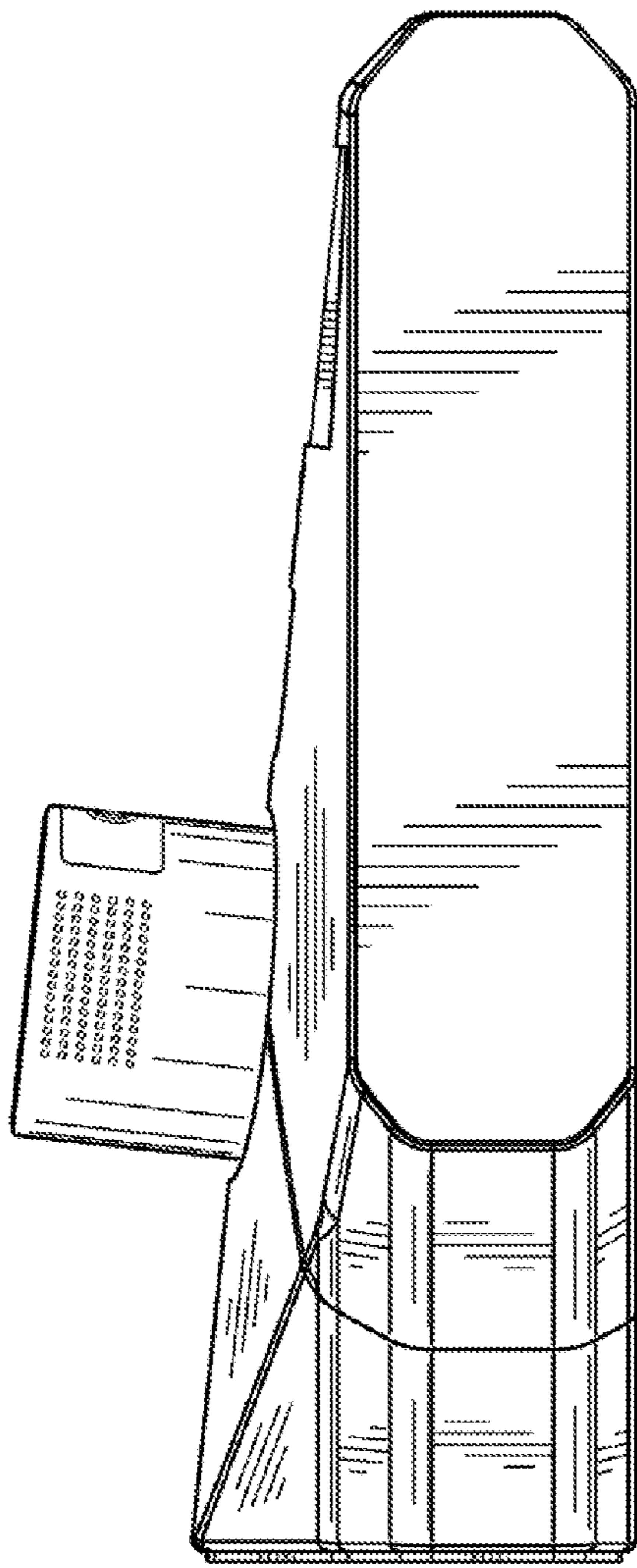


FIG. 5

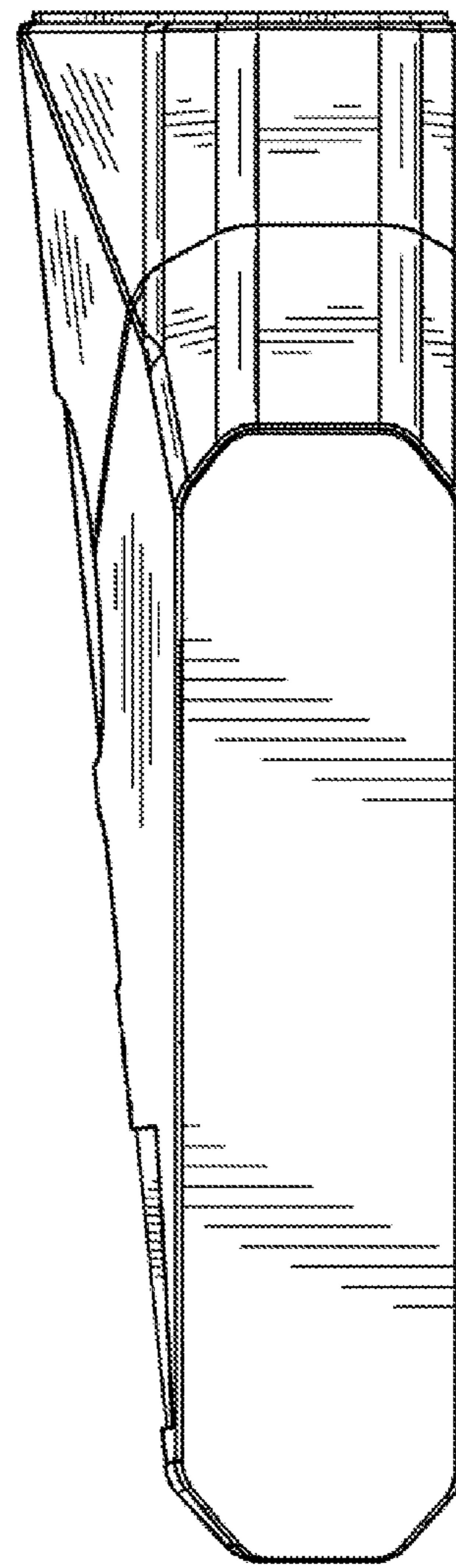


FIG. 6

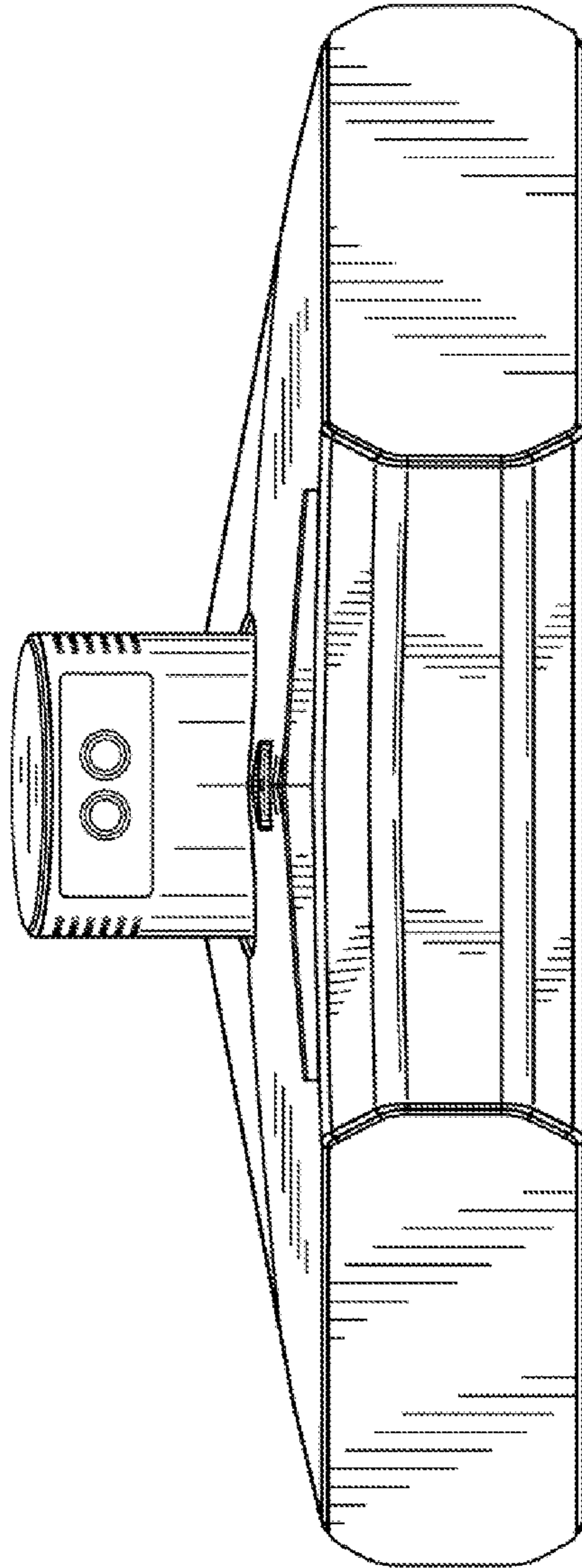


FIG. 7

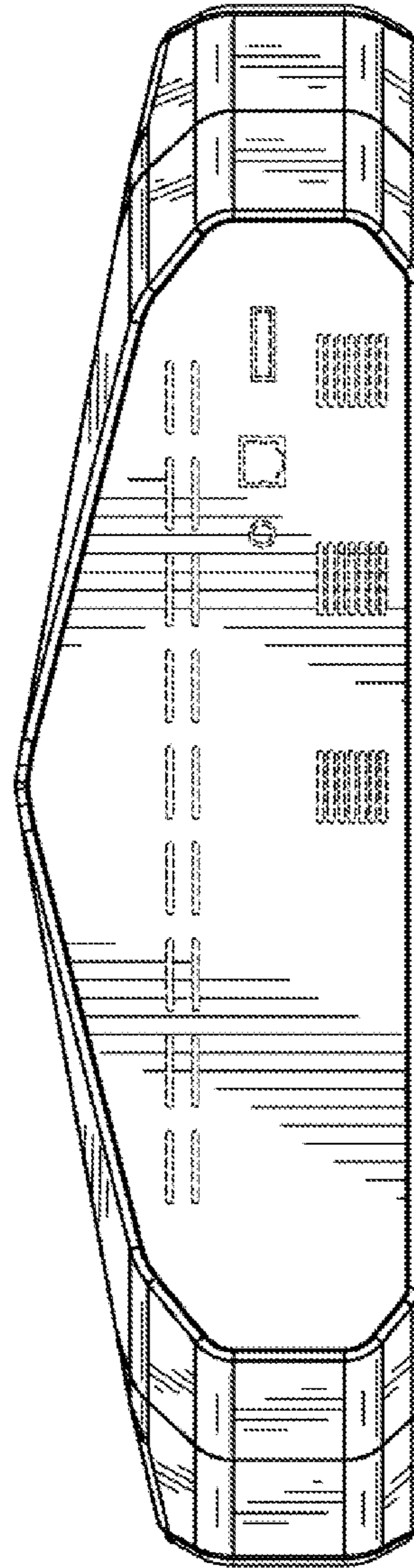


FIG. 8

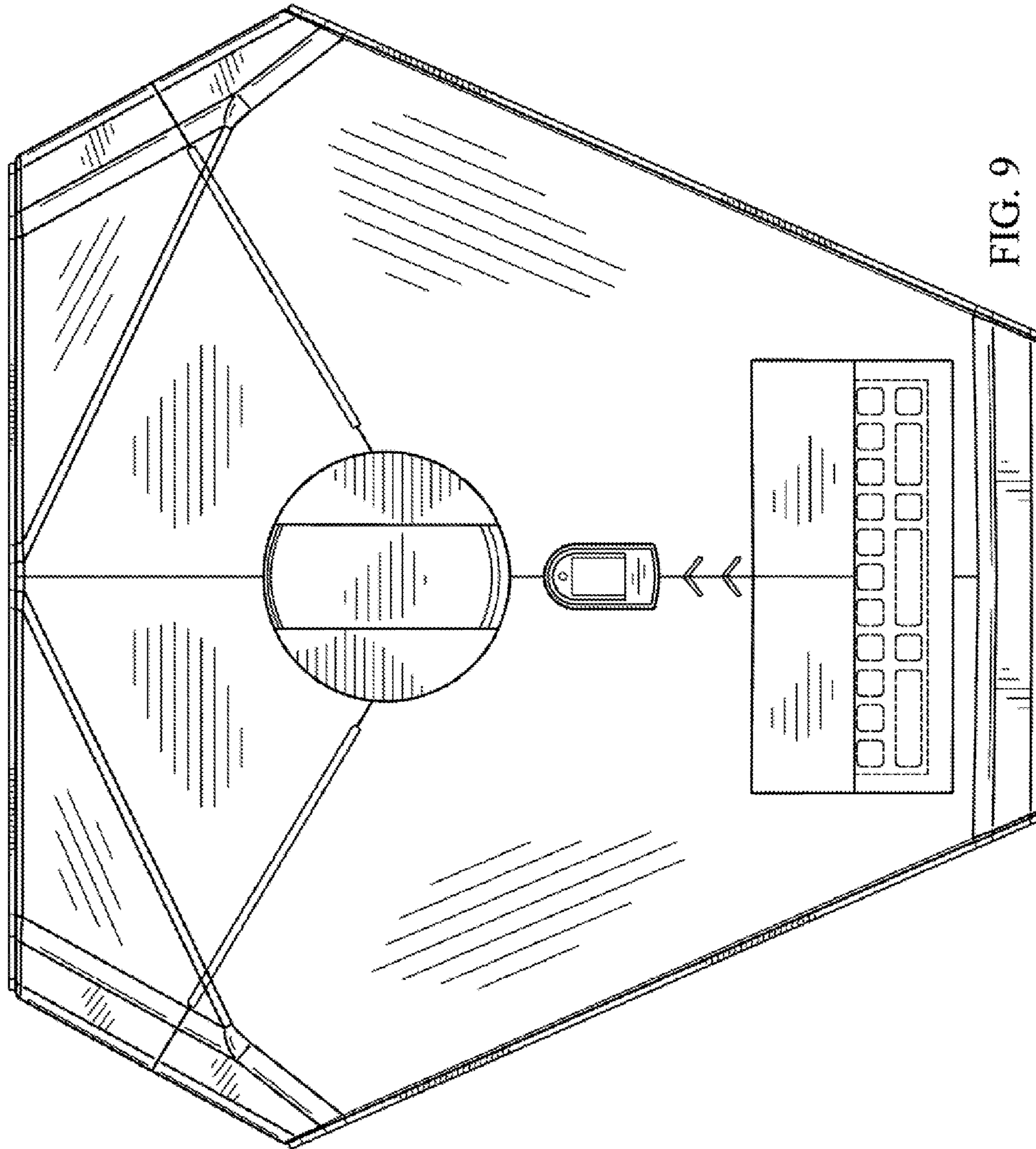


FIG. 9

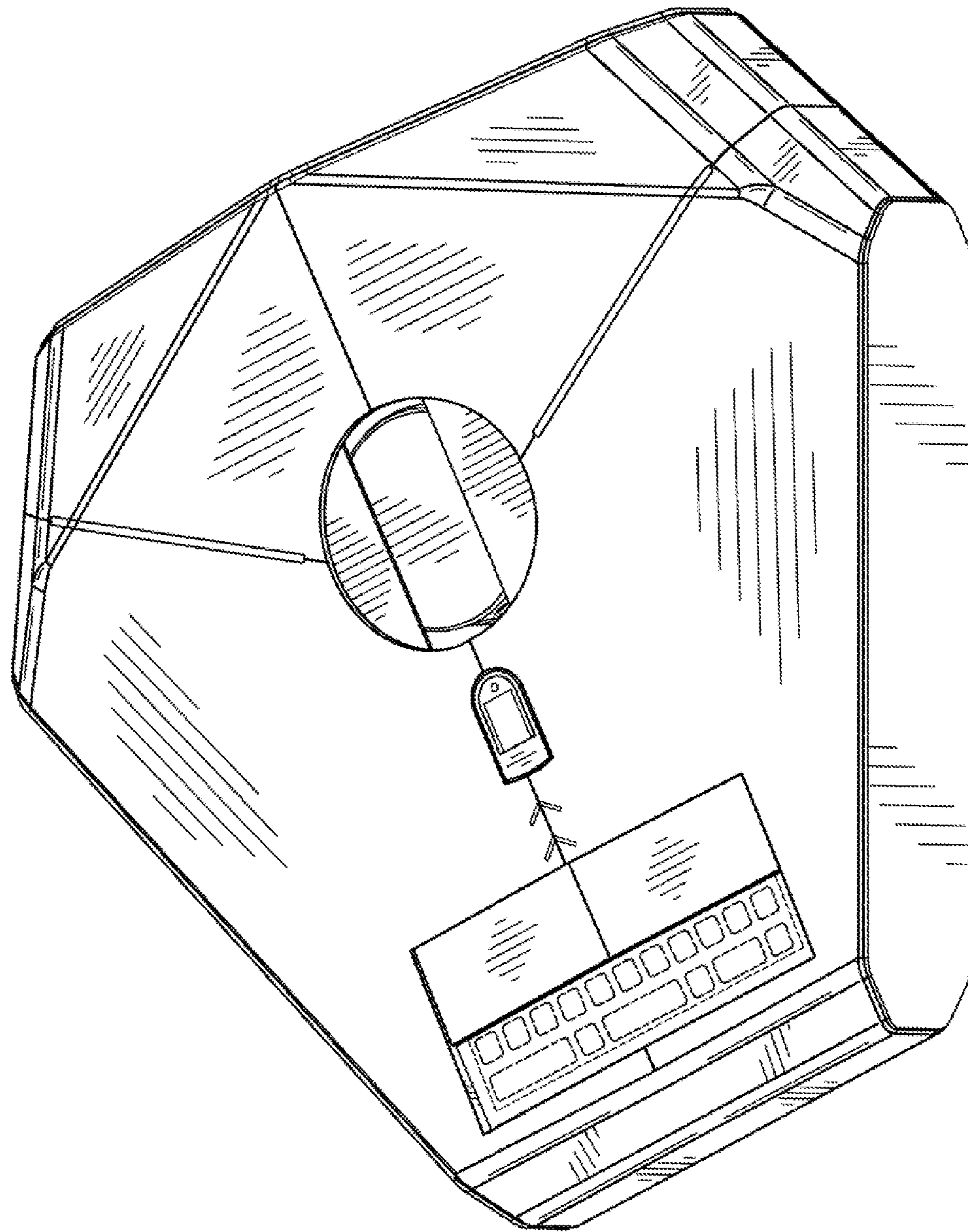


FIG. 10

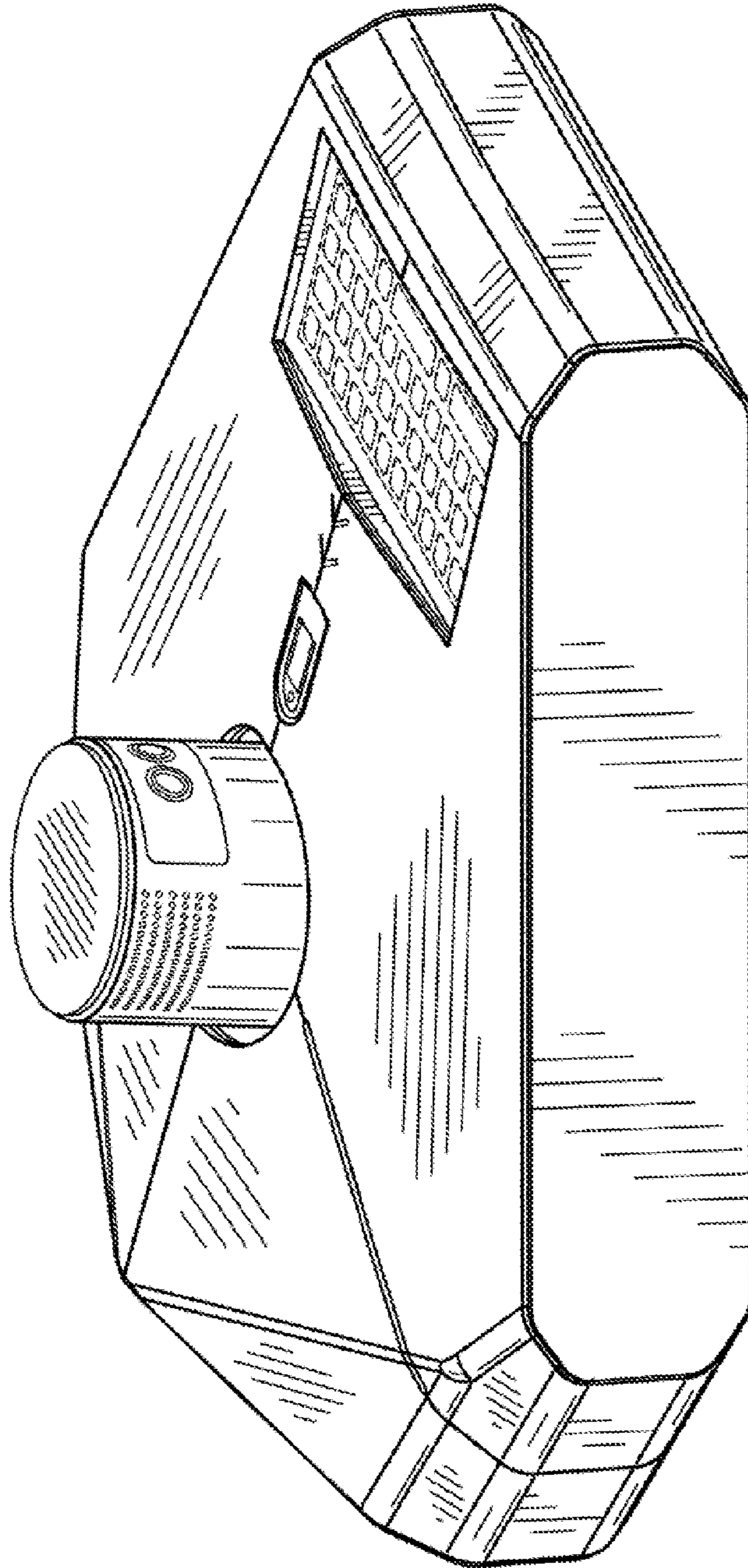


FIG. 11

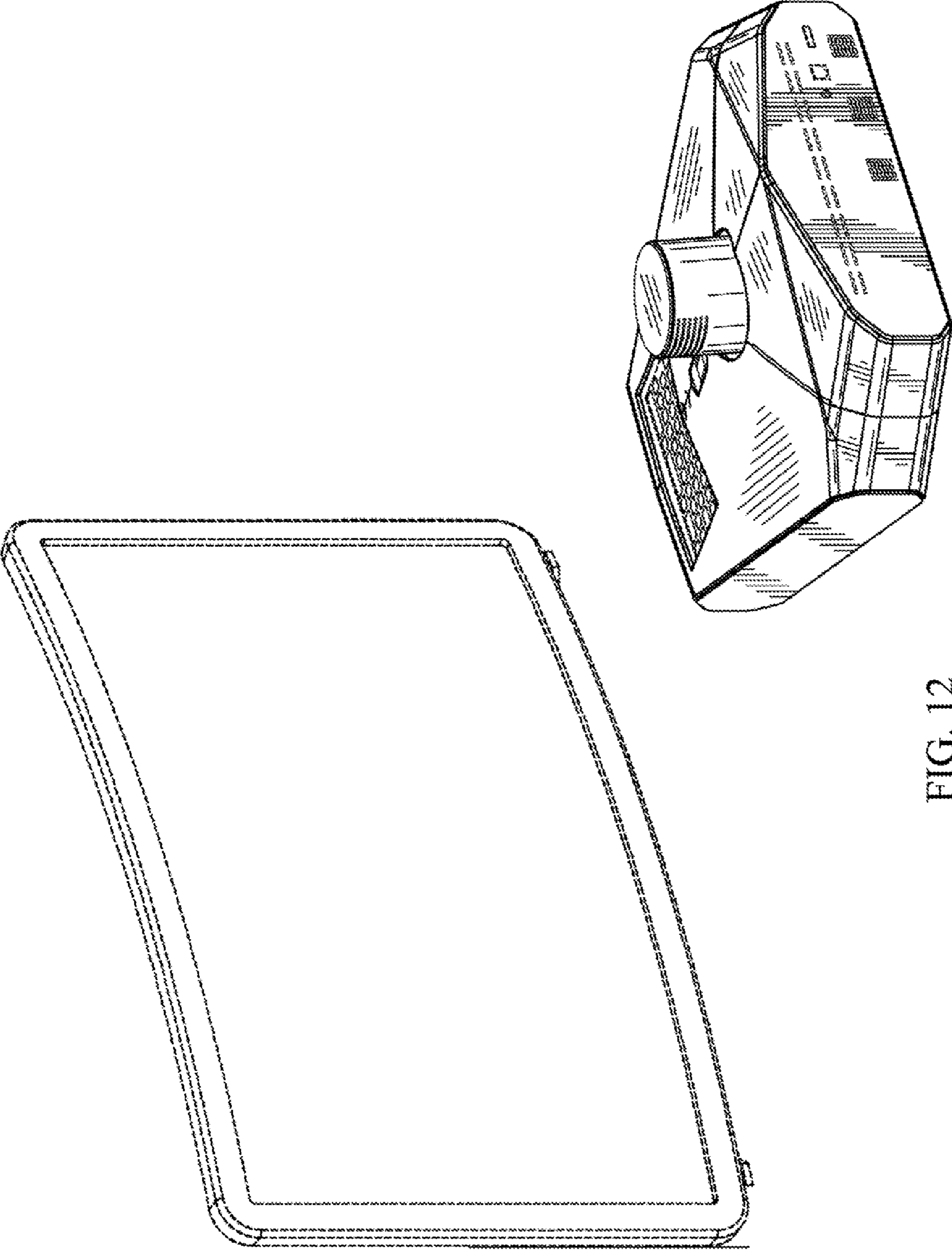


FIG. 12

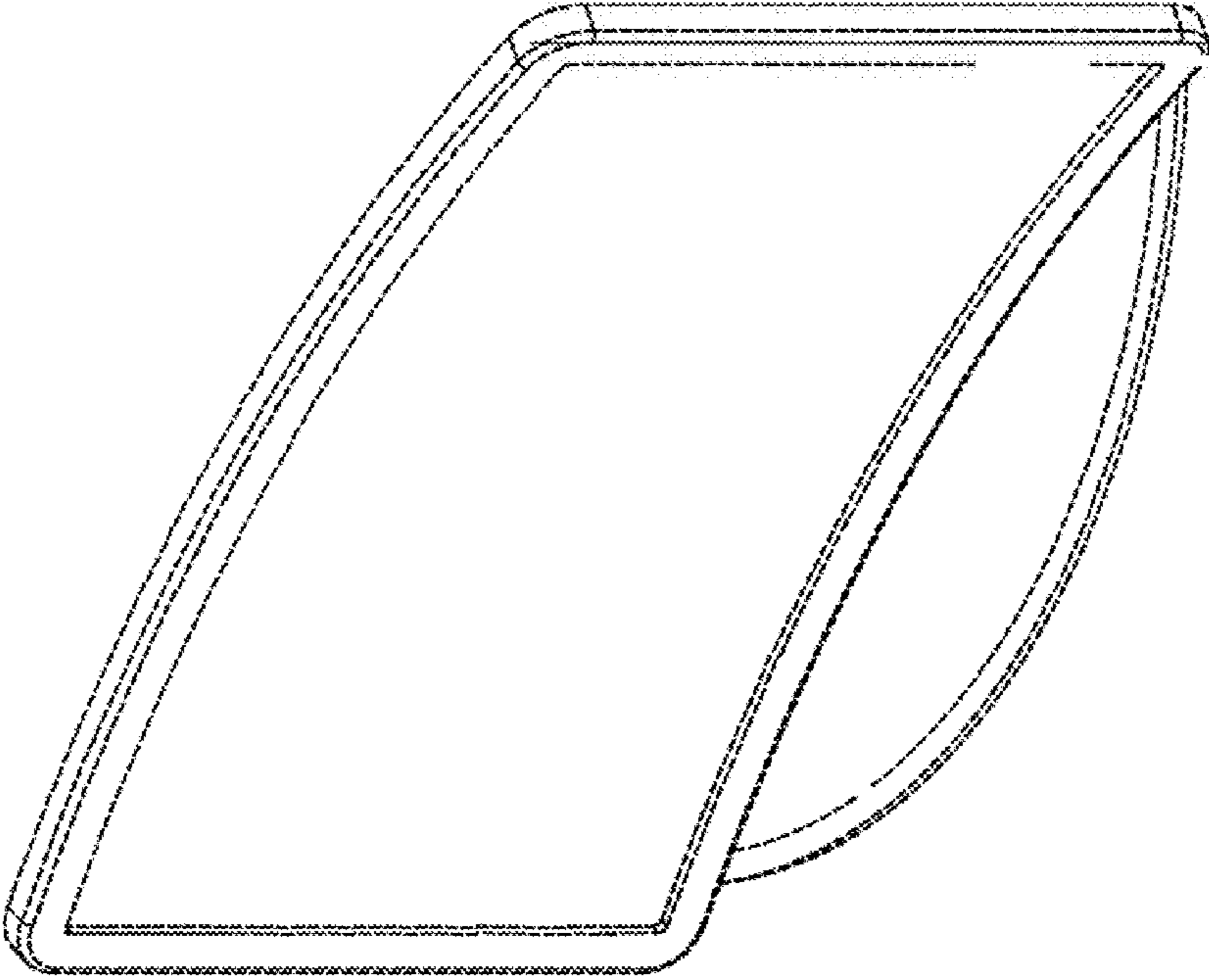
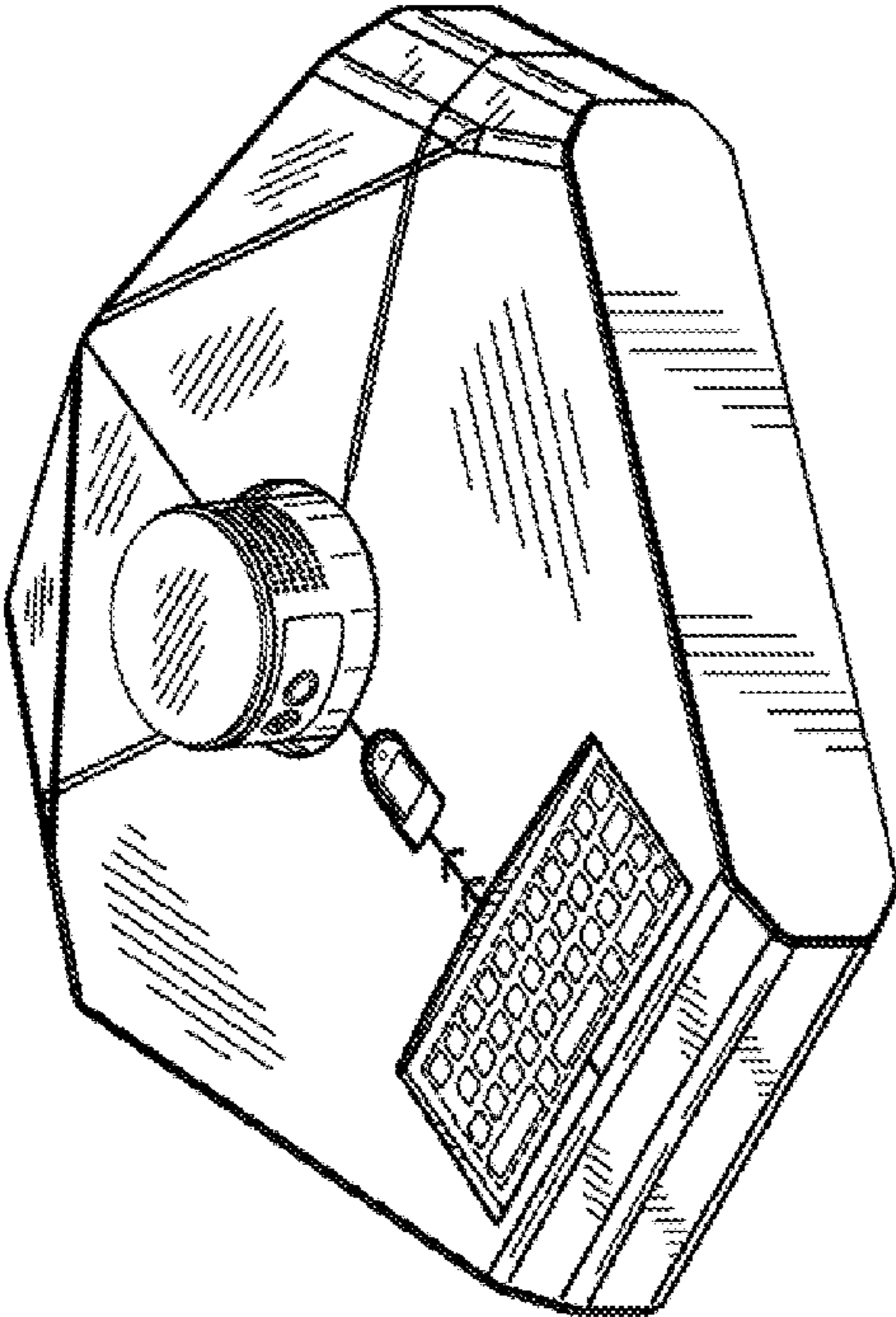


FIG. 13