

US00D762759S

(12) **United States Design Patent**  
**Wu et al.**

(10) **Patent No.:** **US D762,759 S**  
(45) **Date of Patent:** **\*\* Aug. 2, 2016**

(54) **CAMERA**  
(71) Applicant: **GoPro, Inc.**, San Mateo, CA (US)  
(72) Inventors: **Chao-Hsien Wu**, New Taipei (TW);  
**Pei-Jen Lin**, New Taipei (TW); **Fu-Lin Yang**,  
New Taipei (TW); **Hung-Yu Chen**, New Taipei (TW);  
**Pei-Yi Ou-Yang**, New Taipei (TW); **Cheng-Ming Wu**,  
New Taipei (TW); **Feng-Chun Huang**, New Taipei (TW)

4,208,028 A 6/1980 Brown et al.  
4,469,423 A \* 9/1984 Bresson ..... G03B 17/02  
396/537  
4,646,141 A \* 2/1987 Timmermans ..... H01J 29/867  
348/373  
4,733,259 A 3/1988 Ng  
(Continued)

**FOREIGN PATENT DOCUMENTS**

JP 05304625 A 11/1993

**OTHER PUBLICATIONS**

United States Office Action for U.S. Appl. No. 14/148,536, Jul. 9, 2014, 9 pages.

(Continued)

*Primary Examiner* — Susan E Krakower  
*Assistant Examiner* — Ramzi Almatrahi  
(74) *Attorney, Agent, or Firm* — Fenwick & West LLP

(73) Assignee: **GoPro, Inc.**, San Mateo, CA (US)

(\*\*) Term: **14 Years**

(21) Appl. No.: **29/500,825**

(22) Filed: **Aug. 28, 2014**

(30) **Foreign Application Priority Data**

Jul. 11, 2014 (CN) ..... 2014 3 0234167

(51) **LOC (10) Cl.** ..... **16-01**

(52) **U.S. Cl.**  
USPC ..... **D16/218**

(58) **Field of Classification Search**  
USPC ..... D16/200–205, 208, 217–219;  
348/373–376, 148; 396/535–541, 529;  
D14/172, 194, 204, 221  
CPC ..... G03B 17/02; G03B 15/03; G03B 17/04;  
G03B 17/56; G03B 19/04; H04N 5/2257;  
H04N 5/2251; H04N 5/2252; H04N 5/2253;  
H04N 5/2254; H04N 2101/00

See application file for complete search history.

(56) **References Cited**

**U.S. PATENT DOCUMENTS**

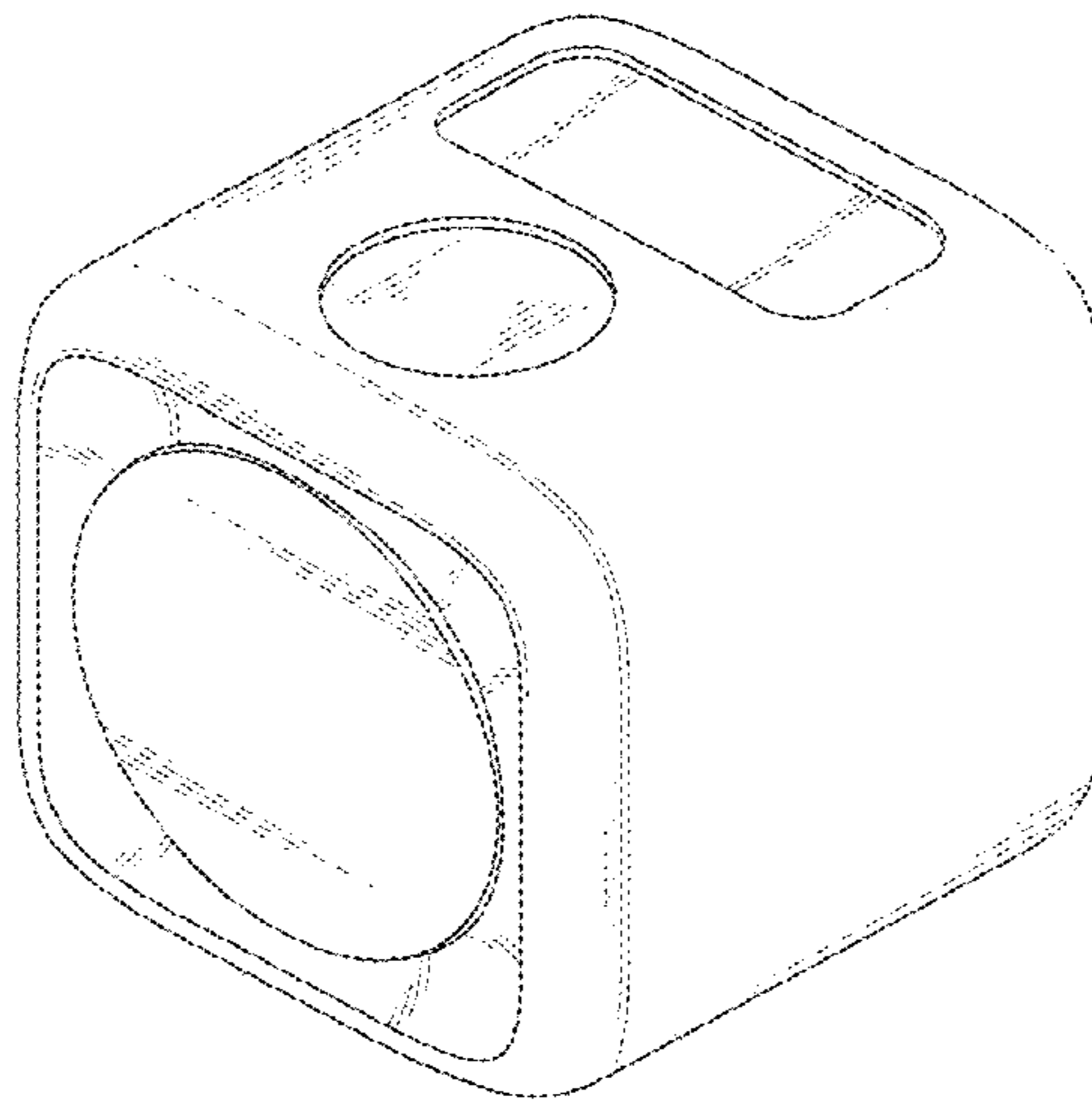
1,612,277 A 12/1926 Fitz  
D96,348 S \* 7/1935 Teague ..... D16/217  
D118,296 S \* 12/1939 Tuomey ..... D16/205  
3,508,482 A 4/1970 Taylor  
4,091,402 A 5/1978 Siegel

(57) **CLAIM**  
The ornamental design for a camera, as shown and described.

**DESCRIPTION**

FIG. 1 is a perspective view of a camera in accordance with a first embodiment of our new design.  
FIG. 2 is a front elevational view thereof.  
FIG. 3 is a rear elevational view thereof.  
FIG. 4 is a right elevational view thereof.  
FIG. 5 is a left elevational view thereof.  
FIG. 6 is a top plan view thereof.  
FIG. 7 is a bottom plan view thereof.  
FIG. 8 is a perspective view of a camera in accordance with a second embodiment of our new design.  
FIG. 9 is a front elevational view thereof.  
FIG. 10 is a rear elevational view thereof.  
FIG. 11 is a right elevational view thereof.  
FIG. 12 is a left elevational view thereof.  
FIG. 13 is a top plan view thereof; and,  
FIG. 14 is a bottom plan view thereof.

**1 Claim, 14 Drawing Sheets**



(56)

References Cited

U.S. PATENT DOCUMENTS

D339,365 S \* 9/1993 Urcuilio ..... D16/203  
 5,400,234 A 3/1995 Yu  
 5,808,663 A 9/1998 Okaya  
 D441,386 S \* 5/2001 Yamazaki ..... D16/203  
 D442,982 S 5/2001 Adachi et al.  
 6,315,180 B1 11/2001 Watkins  
 D504,904 S 5/2005 Nagai et al.  
 D515,121 S 2/2006 Bleau et al.  
 D515,613 S 2/2006 Holmes et al.  
 D551,969 S 10/2007 Aurilio et al.  
 D576,486 S 9/2008 Koza  
 D577,729 S 9/2008 Derry et al.  
 D577,731 S 9/2008 Altonji et al.  
 D596,217 S 7/2009 Kim  
 D616,480 S \* 5/2010 Ookawa ..... D16/218  
 D616,742 S 6/2010 Lymn et al.  
 7,728,905 B2 6/2010 Tanaka et al.  
 8,014,656 B2 9/2011 Woodman  
 8,199,251 B2 6/2012 Woodman  
 D680,097 S 4/2013 Davies et al.  
 8,467,675 B2 \* 6/2013 Chen ..... G03B 17/02  
 348/374  
 D690,280 S 9/2013 Schul  
 8,542,308 B2 9/2013 Ozawa et al.  
 8,544,643 B2 10/2013 Yim  
 D700,166 S 2/2014 Petersen  
 8,743,277 B2 6/2014 Matsuzawa et al.  
 8,792,003 B2 7/2014 Nakamura  
 D713,868 S \* 9/2014 Yang ..... D16/202  
 D718,617 S 12/2014 Taylor  
 D727,387 S \* 4/2015 Hasegawa ..... D16/203  
 D727,991 S \* 4/2015 Hasegawa ..... D16/203  
 9,004,783 B1 4/2015 Woodman et al.  
 D729,059 S 5/2015 Taylor  
 D729,761 S 5/2015 Hu et al.

D729,762 S 5/2015 Hu et al.  
 D730,423 S \* 5/2015 Vandebussche ..... D16/218  
 9,204,021 B2 12/2015 Woodman  
 2002/0046218 A1 4/2002 Gilbert et al.  
 2003/0156212 A1 8/2003 Kingetsu et al.  
 2004/0223752 A1 11/2004 Ghanouni et al.  
 2006/0257137 A1 11/2006 Fromm  
 2007/0140686 A1 6/2007 Misawa  
 2008/0117328 A1 5/2008 Daoud et al.  
 2008/0248703 A1 10/2008 Russell  
 2010/0060747 A1 3/2010 Woodman  
 2010/0061711 A1 3/2010 Woodman  
 2011/0001834 A1 1/2011 Herrell et al.  
 2011/0042530 A1 2/2011 Phillips et al.  
 2011/0129210 A1 6/2011 McGucken  
 2011/0216195 A1 9/2011 Tanaka et al.  
 2011/0317065 A1 12/2011 Lin et al.  
 2013/0186310 A1 7/2013 Lymberis  
 2014/0060582 A1 3/2014 Hartranft et al.  
 2015/0122849 A1 5/2015 Jones  
 2015/0189131 A1 7/2015 Woodman et al.

OTHER PUBLICATIONS

United States Office Action for U.S. Appl. No. 14/536,683, Jun. 9, 2015, 16 pages.  
 United States Office Action for U.S. Appl. No. 14/536,683, Dec. 18, 2014, 14 Pages.  
 United States Office Action for U.S. Appl. No. 14/536,683, Sep. 21, 2015. 15 Pages.  
 International Search Report and Written Opinion for International Application No. PCT/US2014/058465, Dec. 23, 2014, 17 pages.  
 PCT International Search Report and Written Opinion for PCT/US2014/070655, Apr. 29, 2015, 13 Pages.  
 Office Action for Taiwanese Patent Application No. TW 103304745, Jan. 28, 2016, 3 Pages.

\* cited by examiner

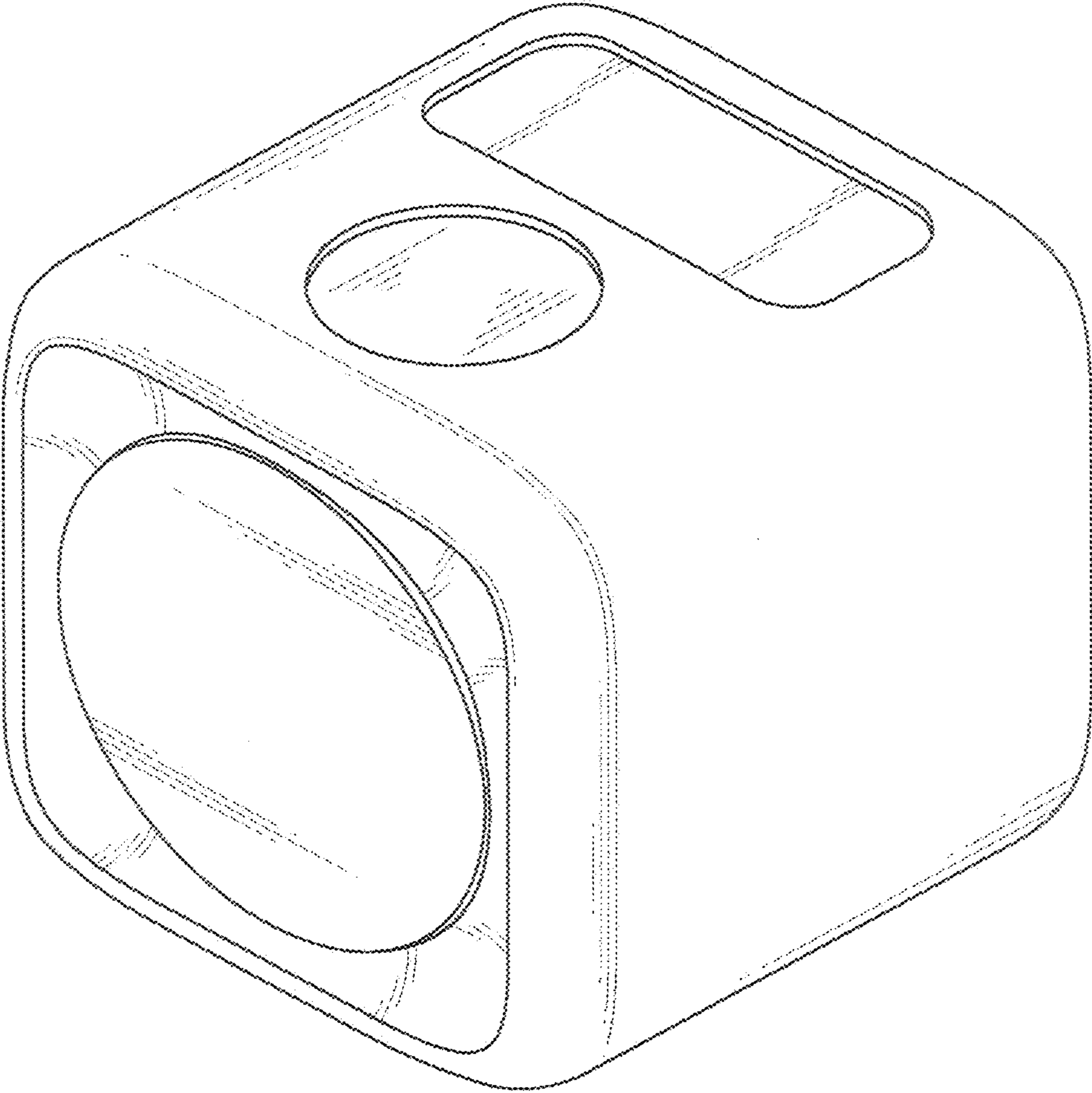


FIG. 1

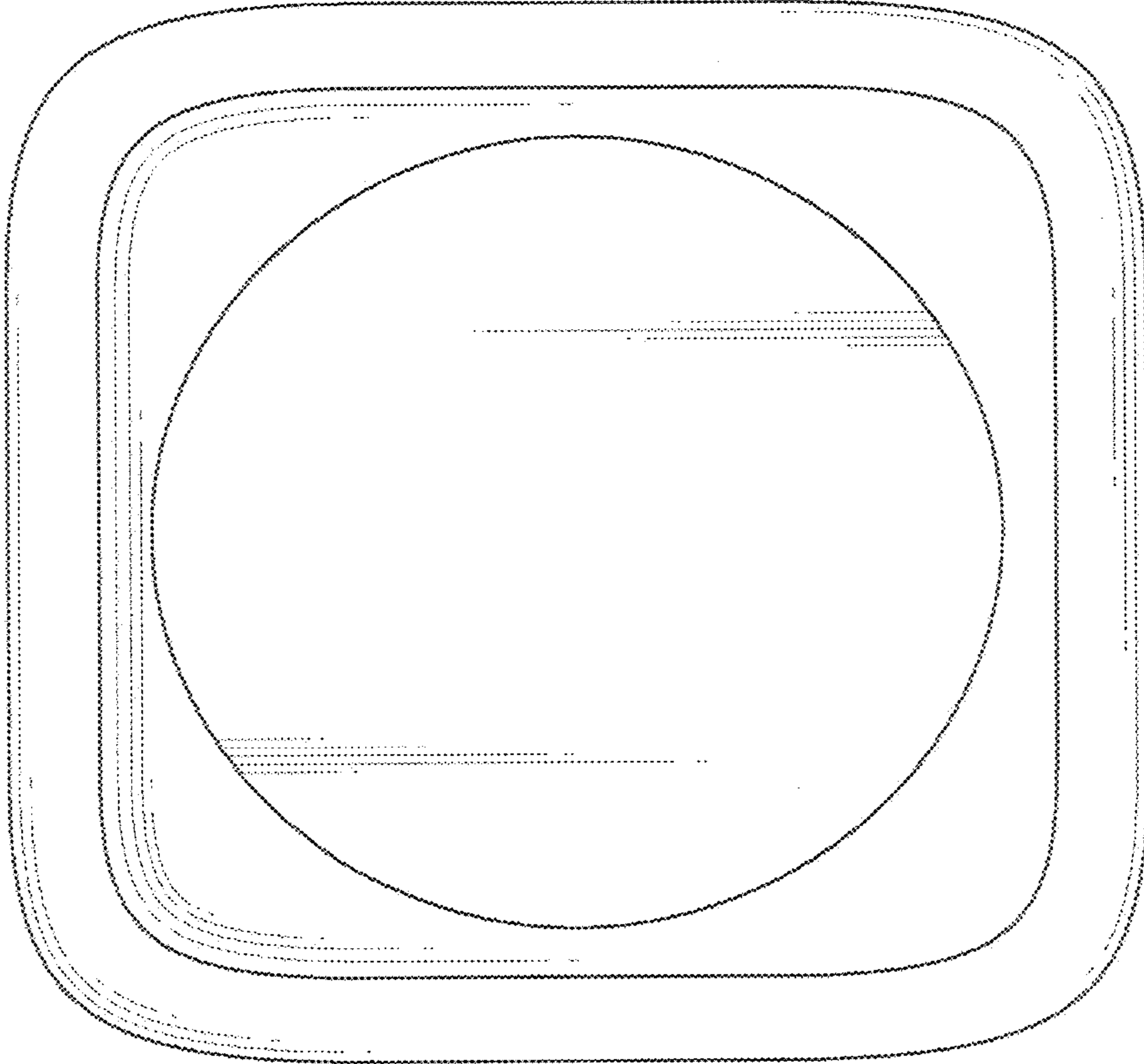


FIG. 2





FIG. 3

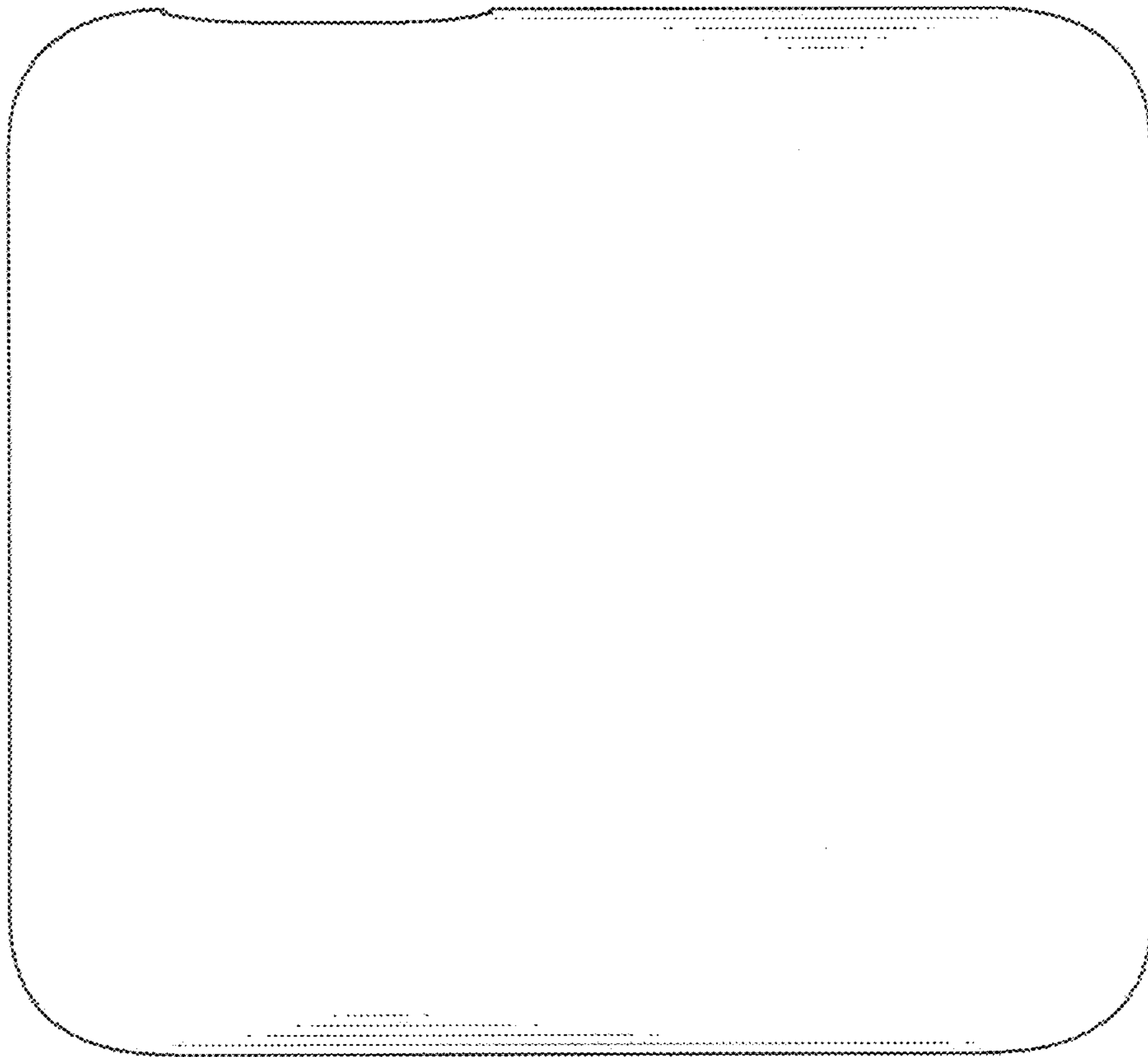


FIG. 4

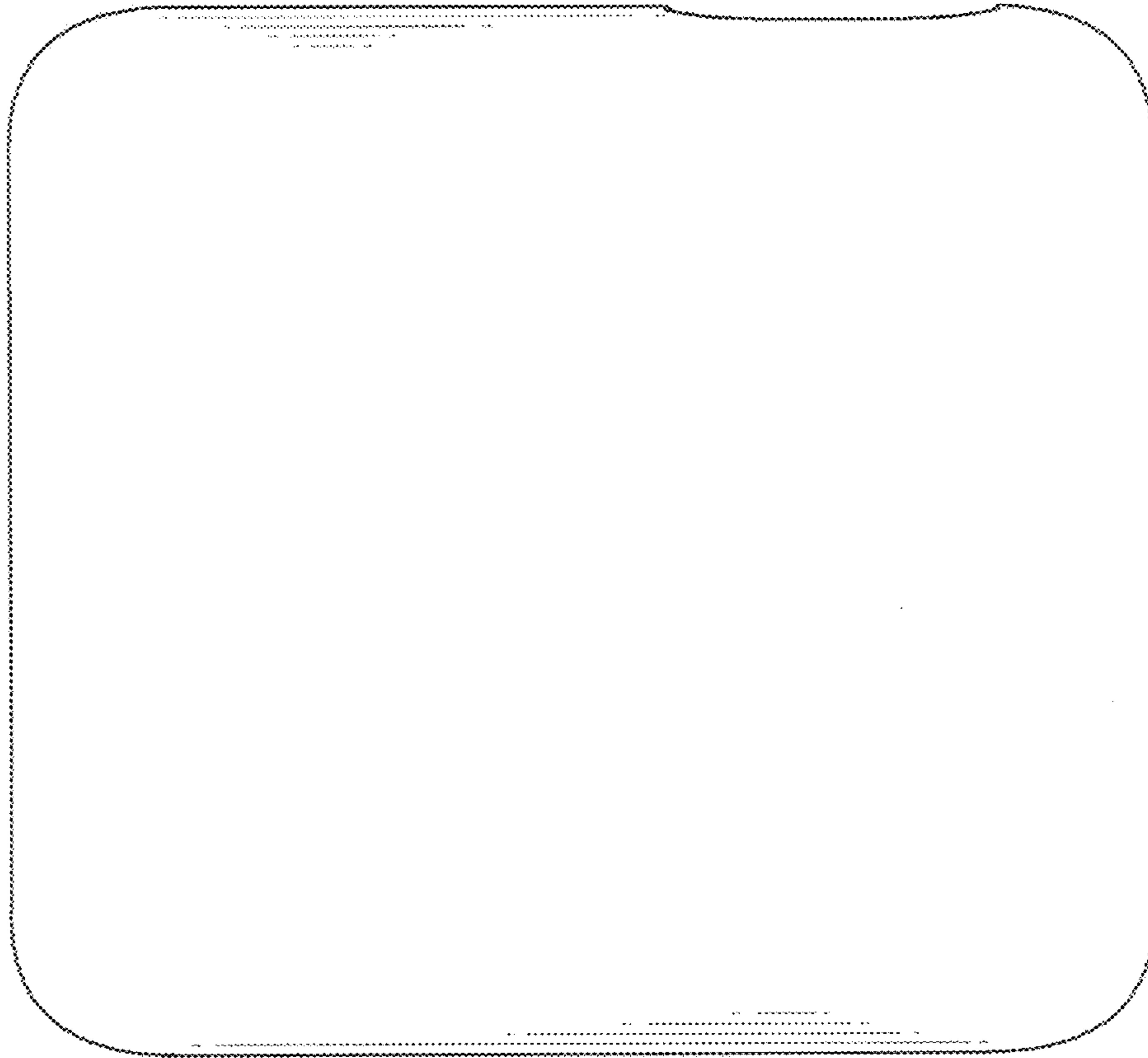


FIG. 5

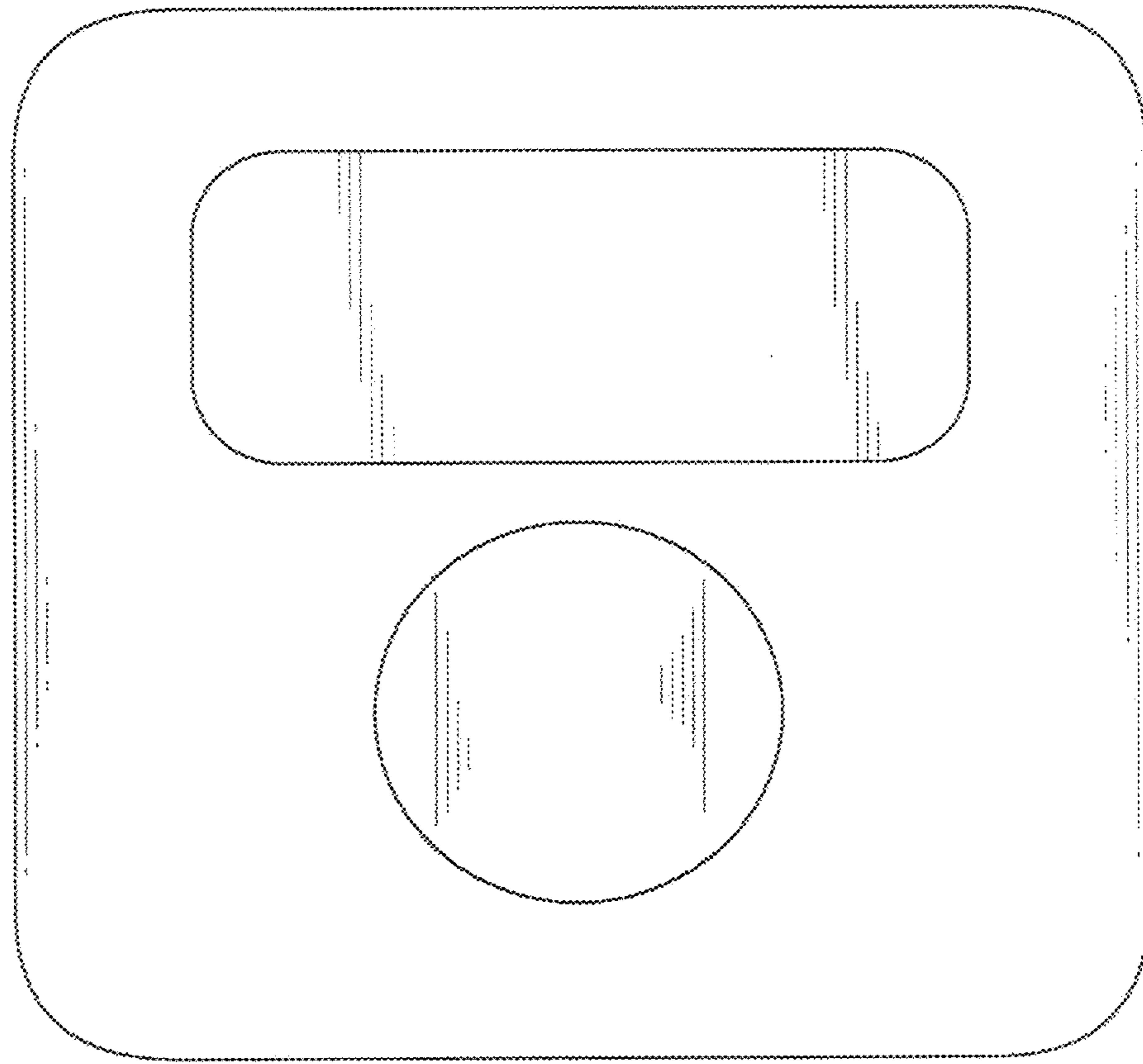


FIG. 6



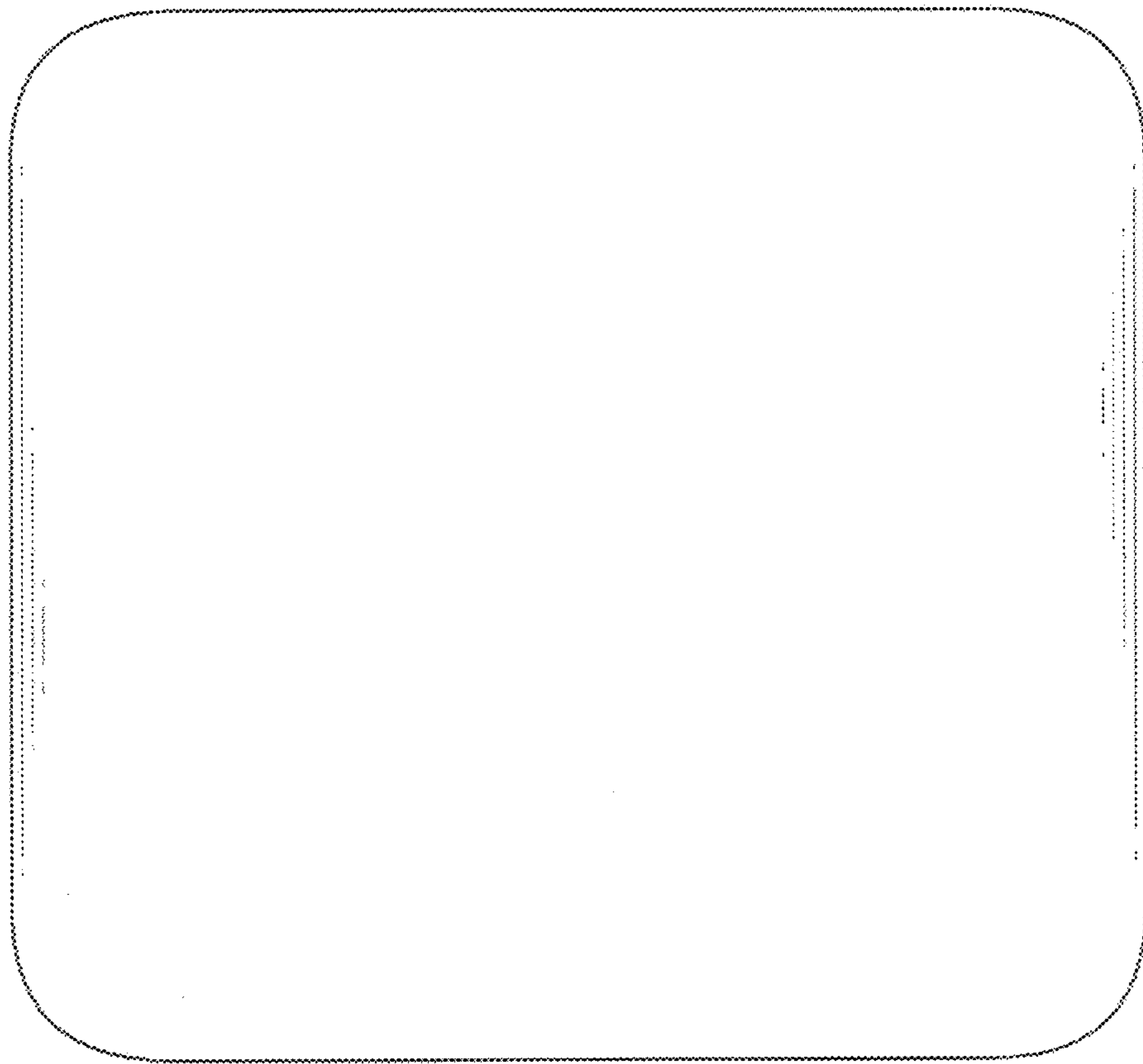


FIG. 7

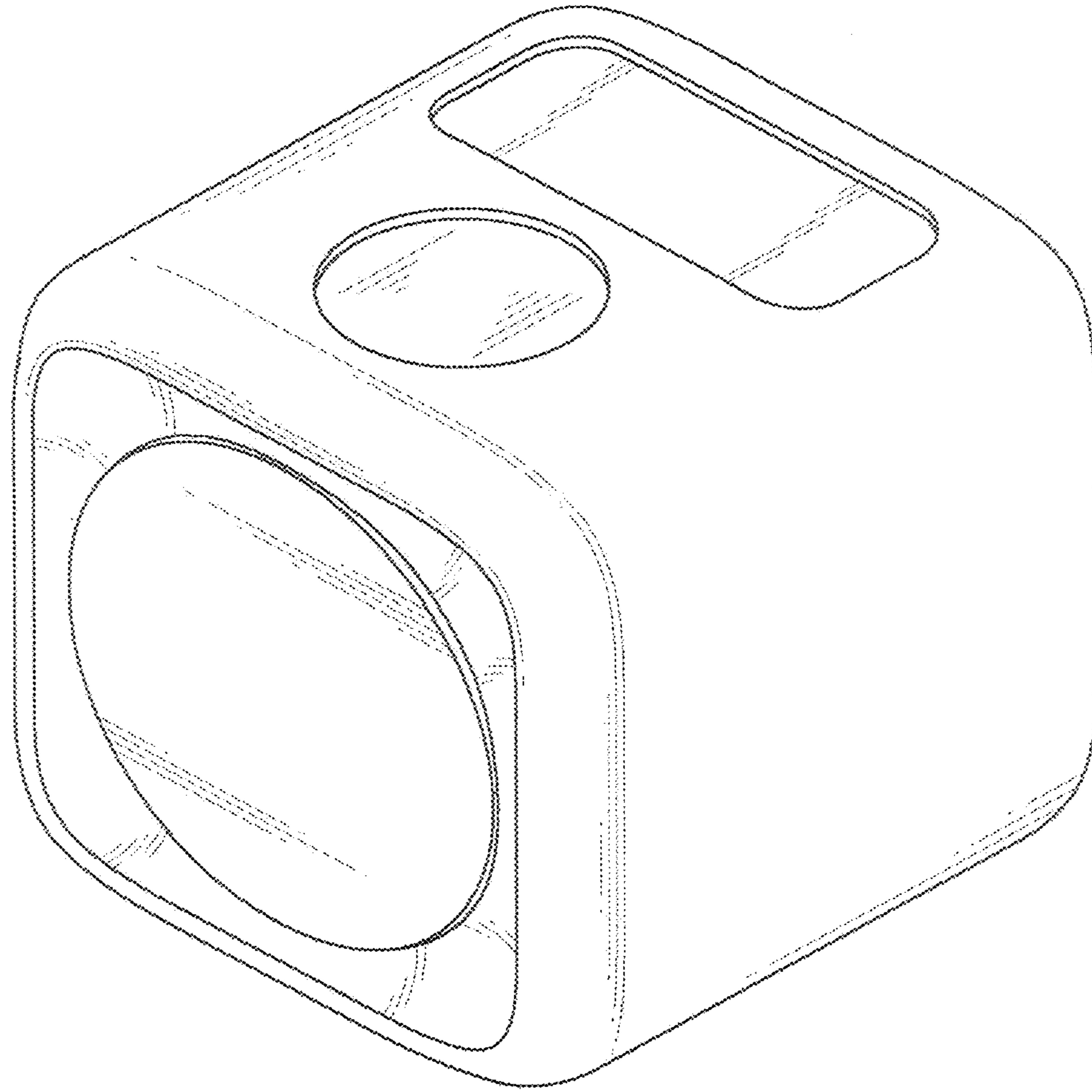


FIG. 8

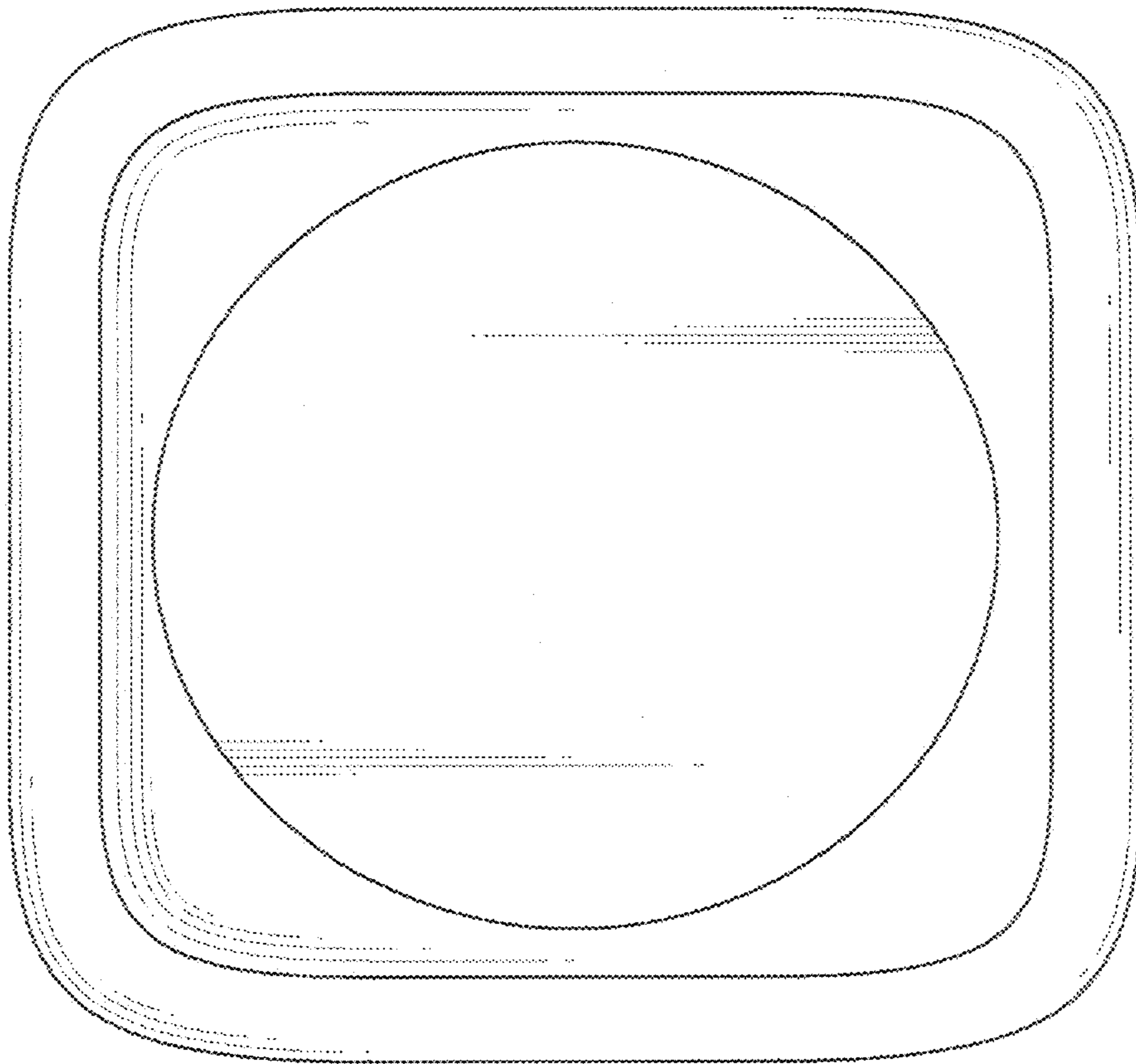


FIG. 9

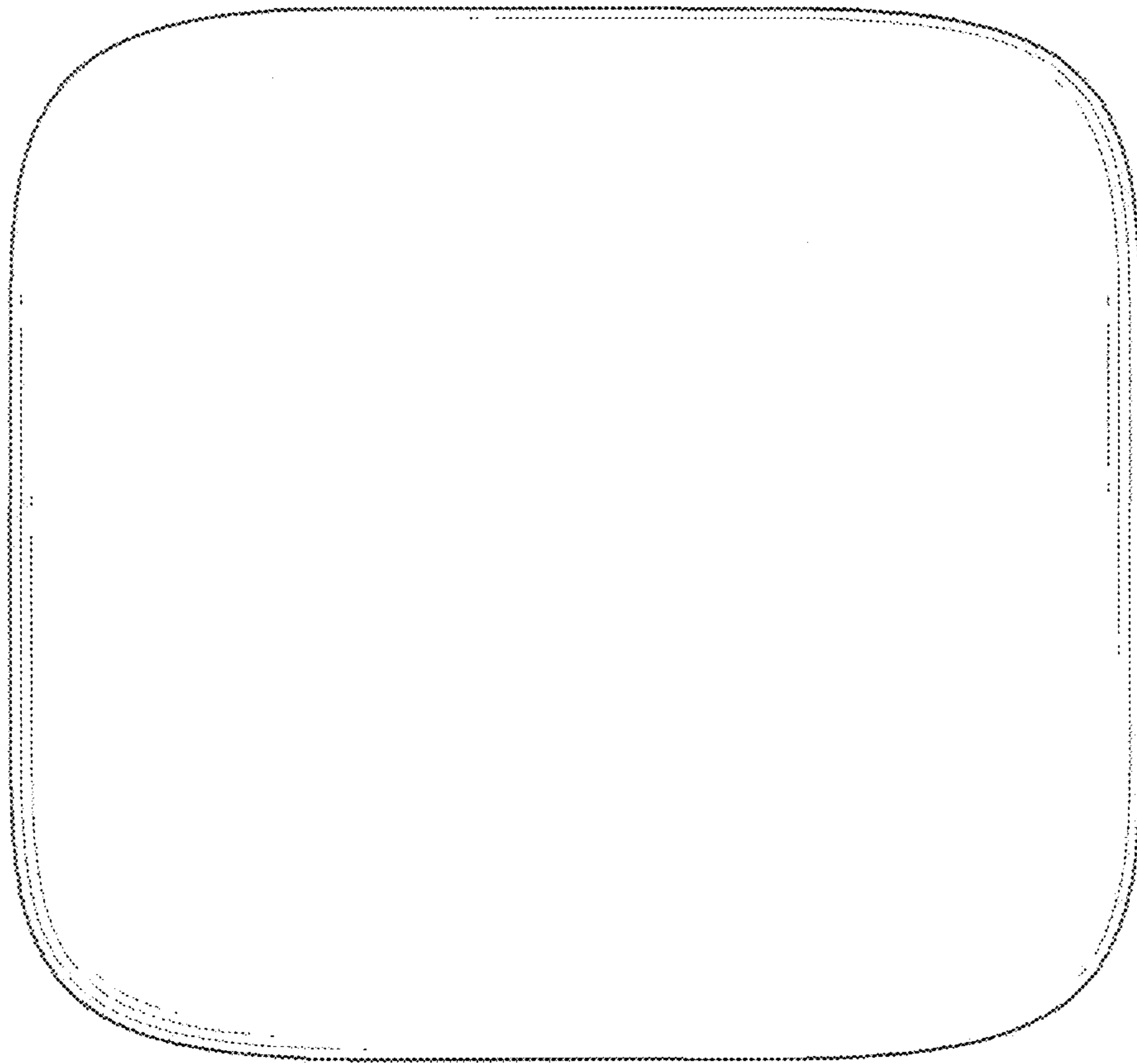


FIG. 10

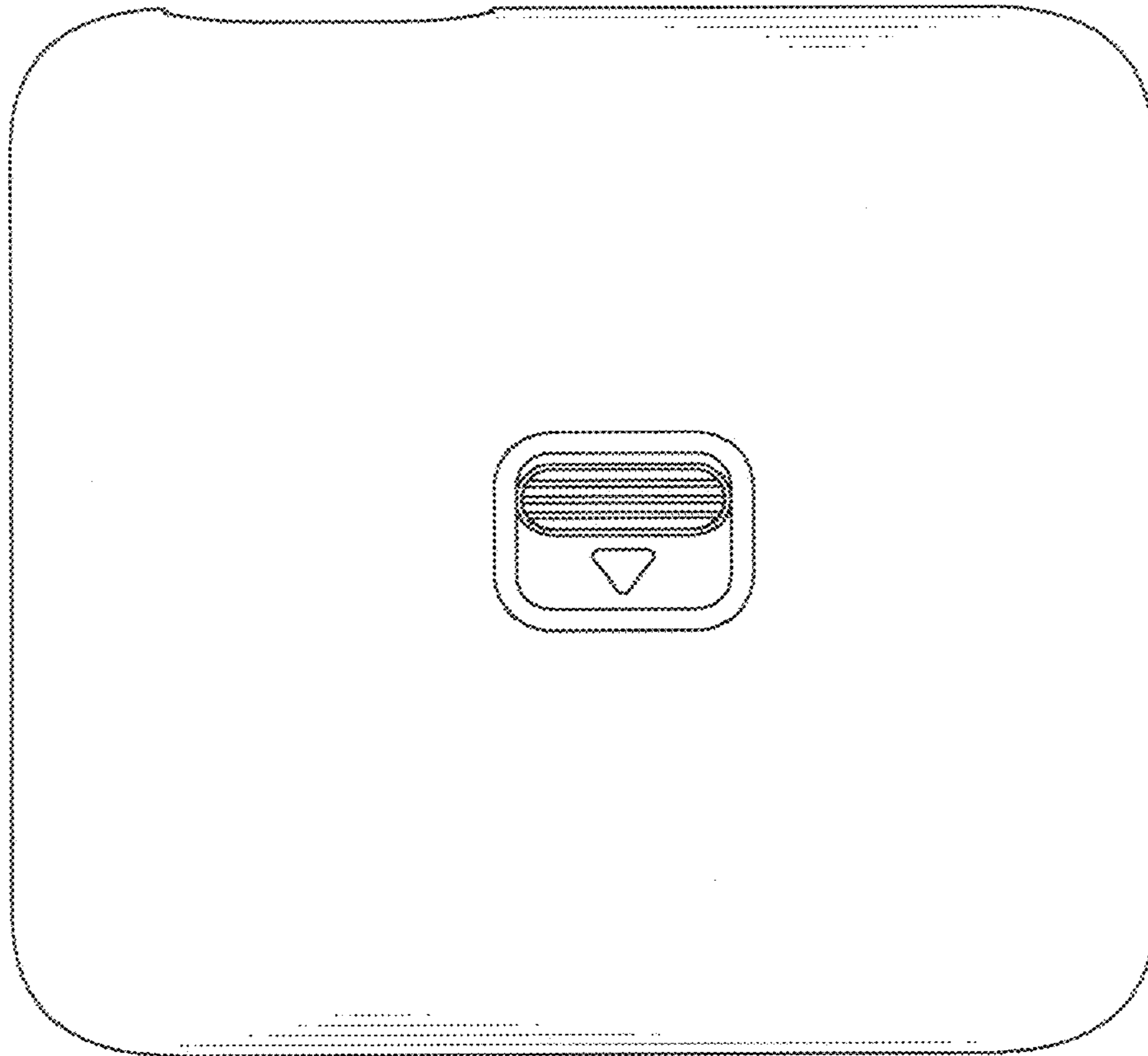


FIG. 11

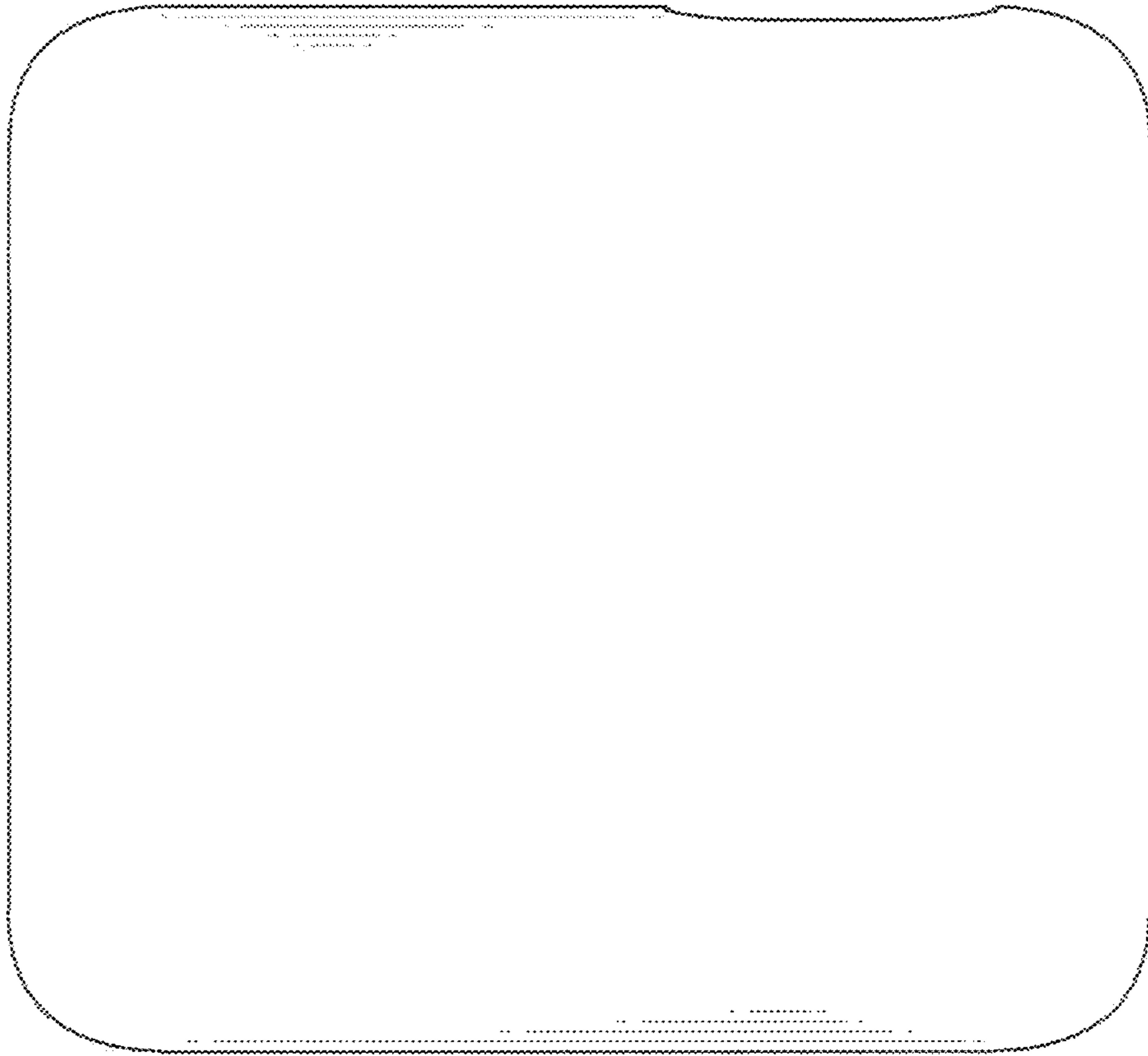


FIG. 12



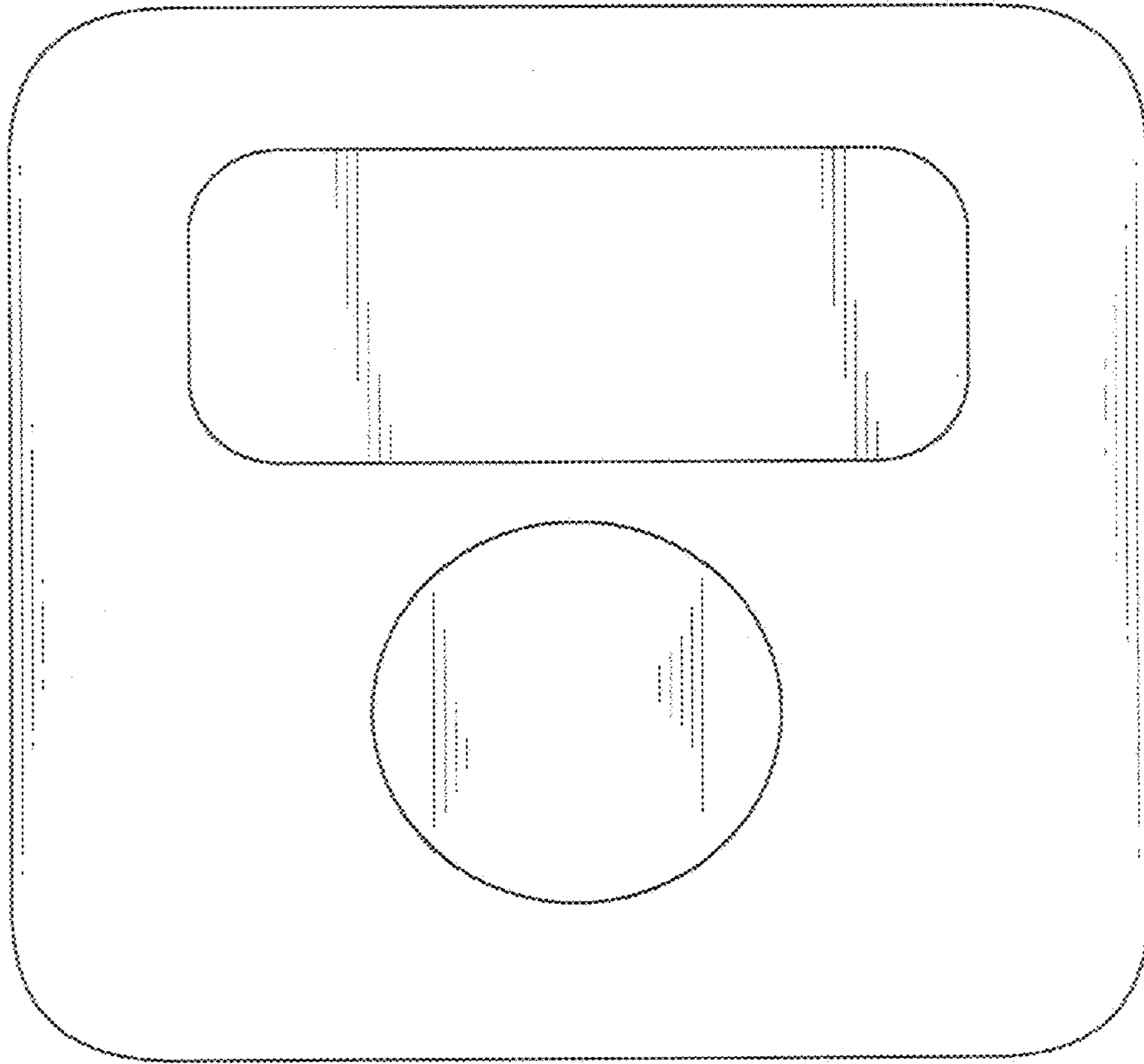


FIG. 13

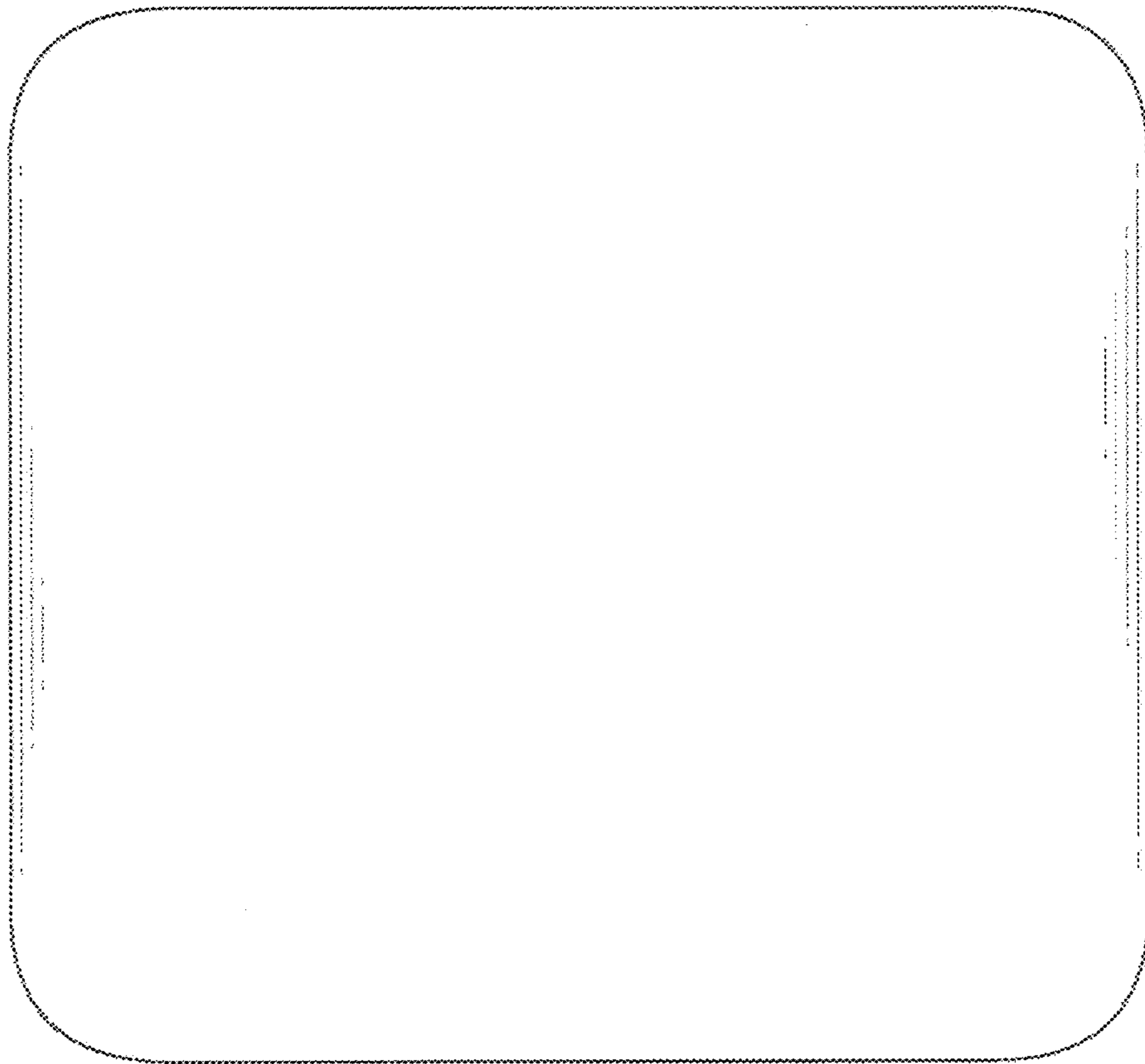


FIG. 14