

US00D762756S

(12) **United States Design Patent**
Eliasson

(10) **Patent No.:** **US D762,756 S**
(45) **Date of Patent:** **** Aug. 2, 2016**

- (54) **SEPARATOR**
- (71) Applicant: **Alfdex AB**, Landskrona (SE)
- (72) Inventor: **Thomas Eliasson**, Alvsjo (SE)
- (73) Assignee: **Alfdex AB**, Landskrona (SE)
- (**) Term: **14 Years**
- (21) Appl. No.: **29/520,737**
- (22) Filed: **Mar. 17, 2015**
- (30) **Foreign Application Priority Data**
 - Sep. 23, 2014 (EM) 002543108-0002
- (51) **LOC (10) Cl.** **15-09**
- (52) **U.S. Cl.**
 - USPC **D15/147**
- (58) **Field of Classification Search**
 - USPC D15/140, 199, 145
 - See application file for complete search history.

- D707,737 S * 6/2014 Craaford D15/147
- 8,747,503 B2 * 6/2014 Tornblom B01D 45/14
55/400
- 8,758,469 B2 * 6/2014 Eliasson B01D 45/14
55/400
- 8,764,869 B2 * 7/2014 Eliasson B01D 45/14
55/282.1
- D718,835 S * 12/2014 Lipkens D23/207
- D722,674 S * 2/2015 Lipkens D23/207
- D729,603 S * 5/2015 Stephen D8/61
- 9,056,319 B2 * 6/2015 Eliasson B01D 45/14
55/400
- 9,061,291 B2 * 6/2015 Eliasson B01D 45/14
55/400
- D735,257 S * 7/2015 Fancelli D15/147
- D742,419 S * 11/2015 Armstrong D15/5

* cited by examiner

Primary Examiner — Patricia Palasik
(74) *Attorney, Agent, or Firm* — Buchanan, Ingersoll & Rooney PC

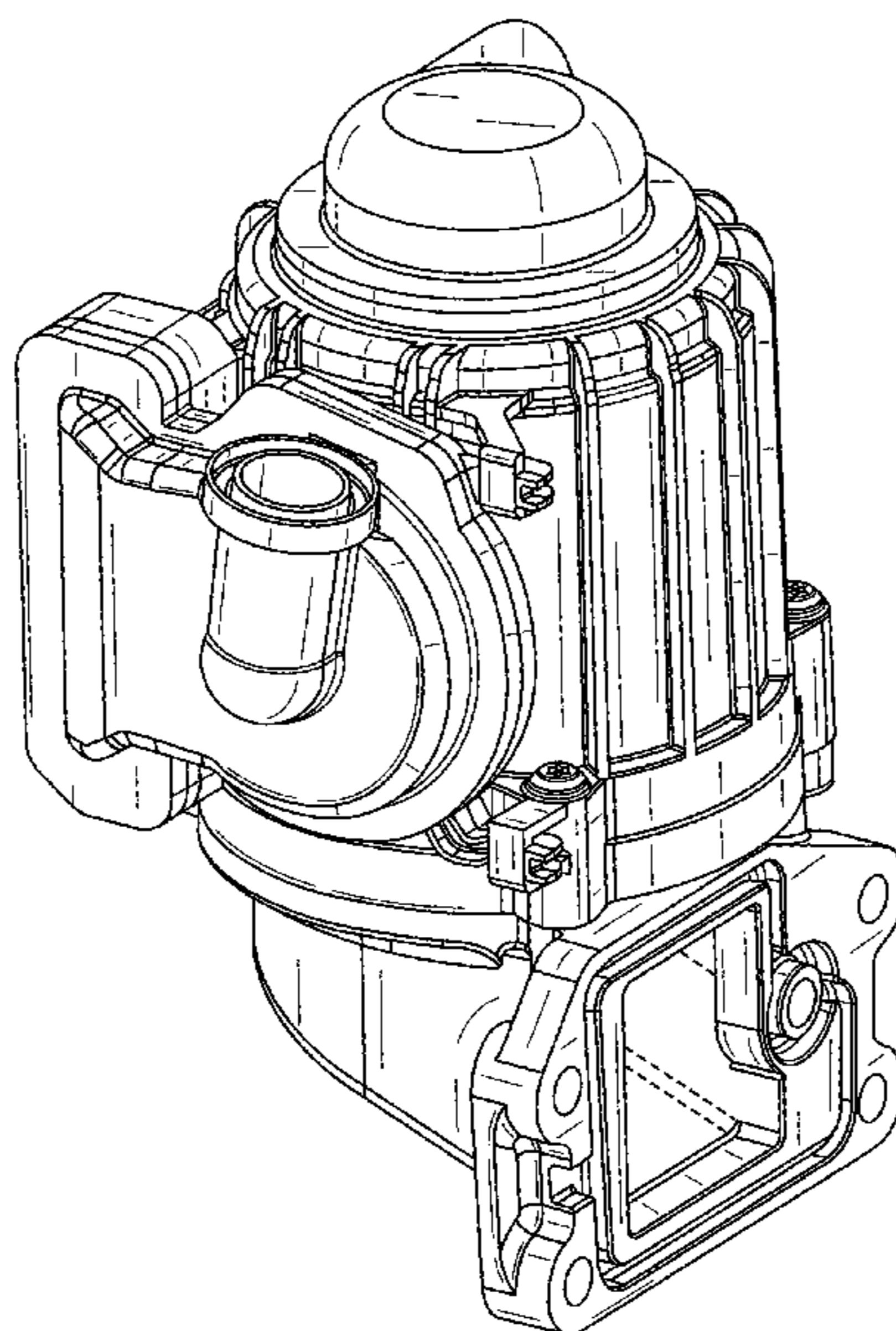
(57) **CLAIM**
The ornamental design for a separator, as shown and described.

- (56) **References Cited**
 - U.S. PATENT DOCUMENTS
 - 6,755,896 B2 * 6/2004 Szepessy B01D 45/14
55/400
 - D679,733 S * 4/2013 Armstrong D15/5
 - 8,657,908 B2 * 2/2014 Eliasson B04B 5/005
55/400
 - 8,657,909 B2 * 2/2014 Tornblom B04B 5/005
55/400
 - 8,657,913 B2 * 2/2014 Pogen B04B 5/12
55/400
 - 8,673,038 B2 * 3/2014 Tornblom B04B 5/005
55/400
 - 8,679,214 B2 * 3/2014 Pogen B01D 45/14
55/400

DESCRIPTION

FIG. 1 is a perspective view of a separator showing my new design.
FIG. 2 is a front elevational view thereof.
FIG. 3 is a rear elevational view thereof.
FIG. 4 is a left side elevational view thereof.
FIG. 5 is a right side elevational view thereof.
FIG. 6 is a top plan view thereof; and,
FIG. 7 is a bottom plan view thereof.
The broken lines in the drawings depict unclaimed environmental subject matter.

1 Claim, 7 Drawing Sheets



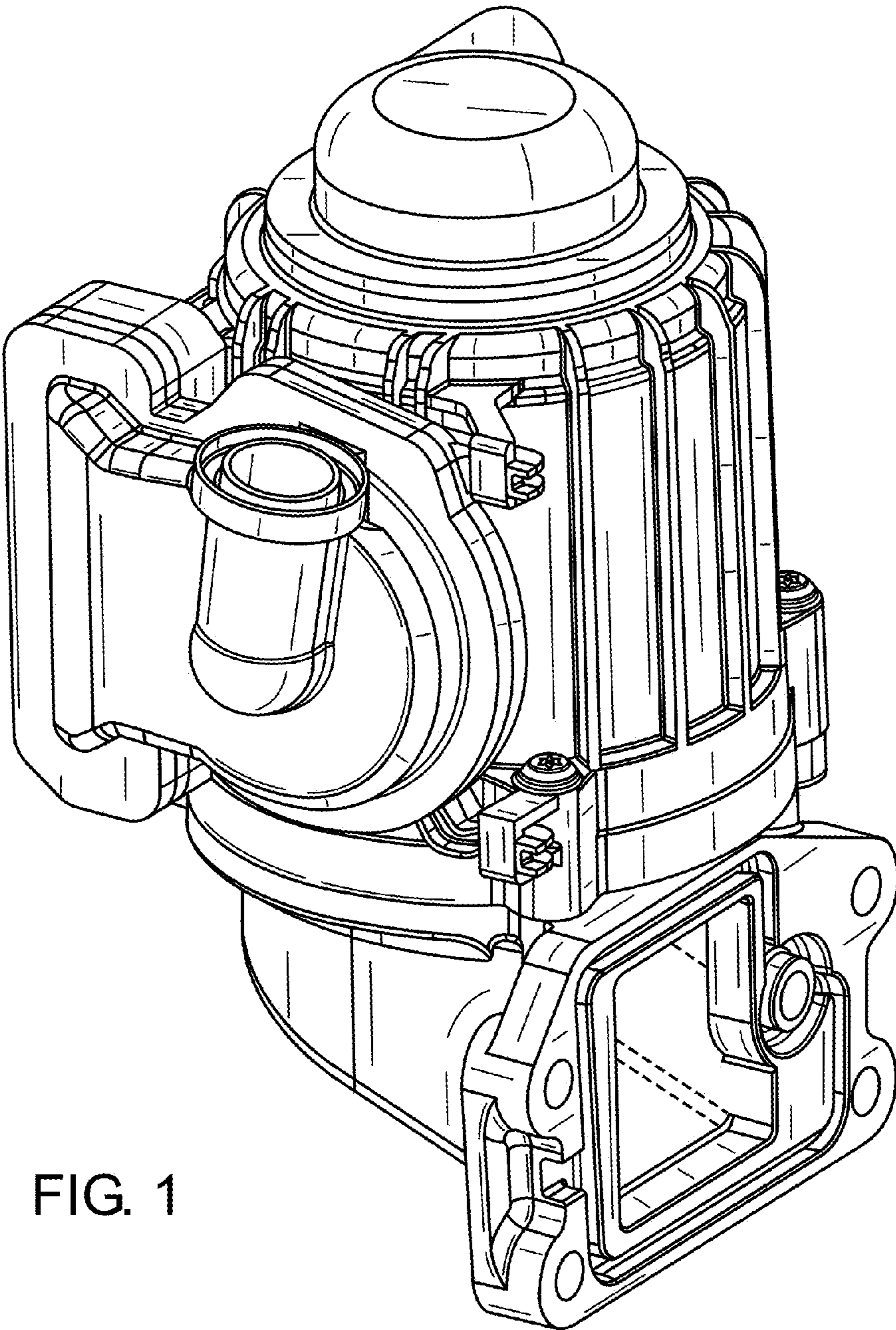


FIG. 1

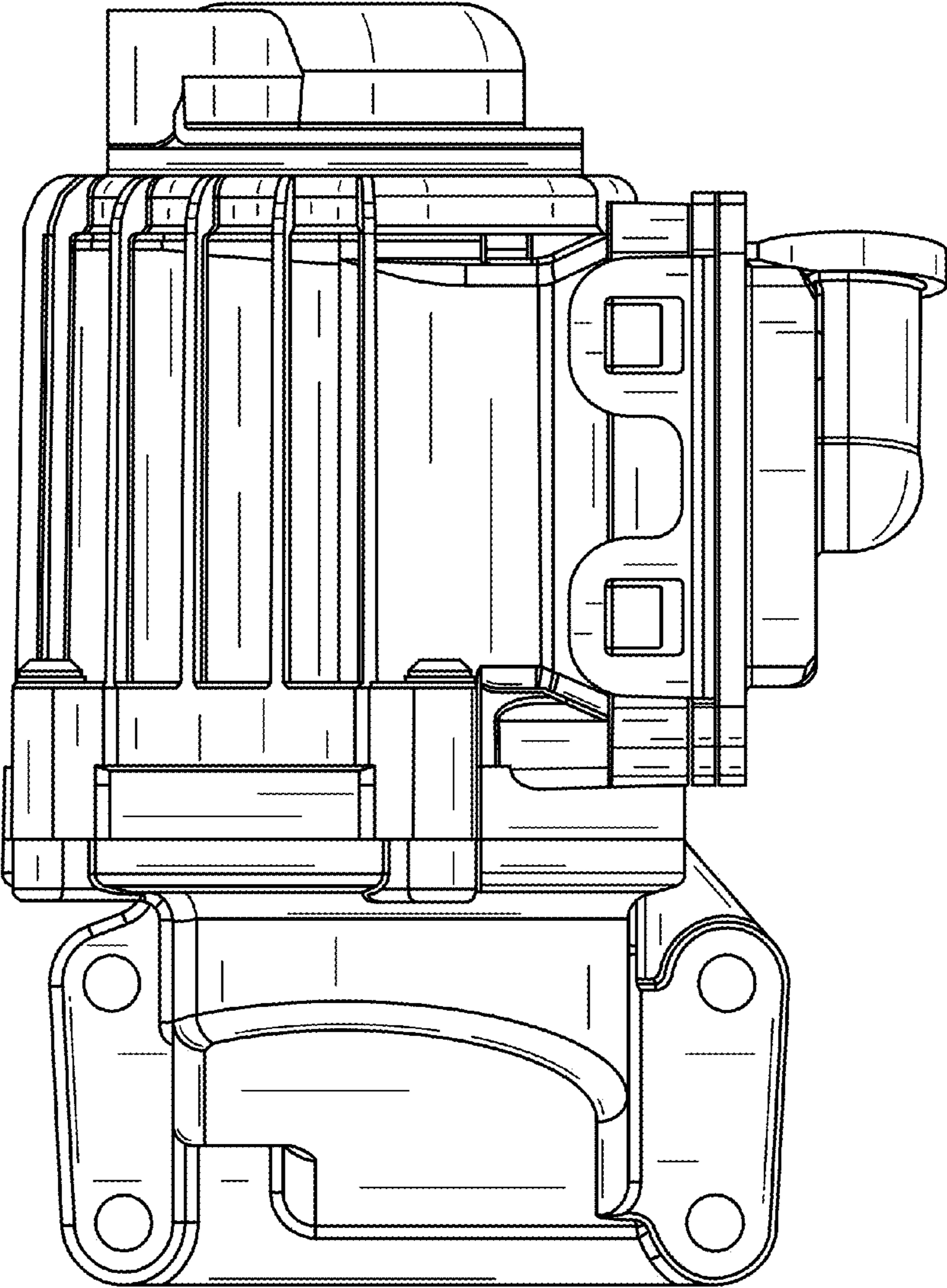


FIG. 2

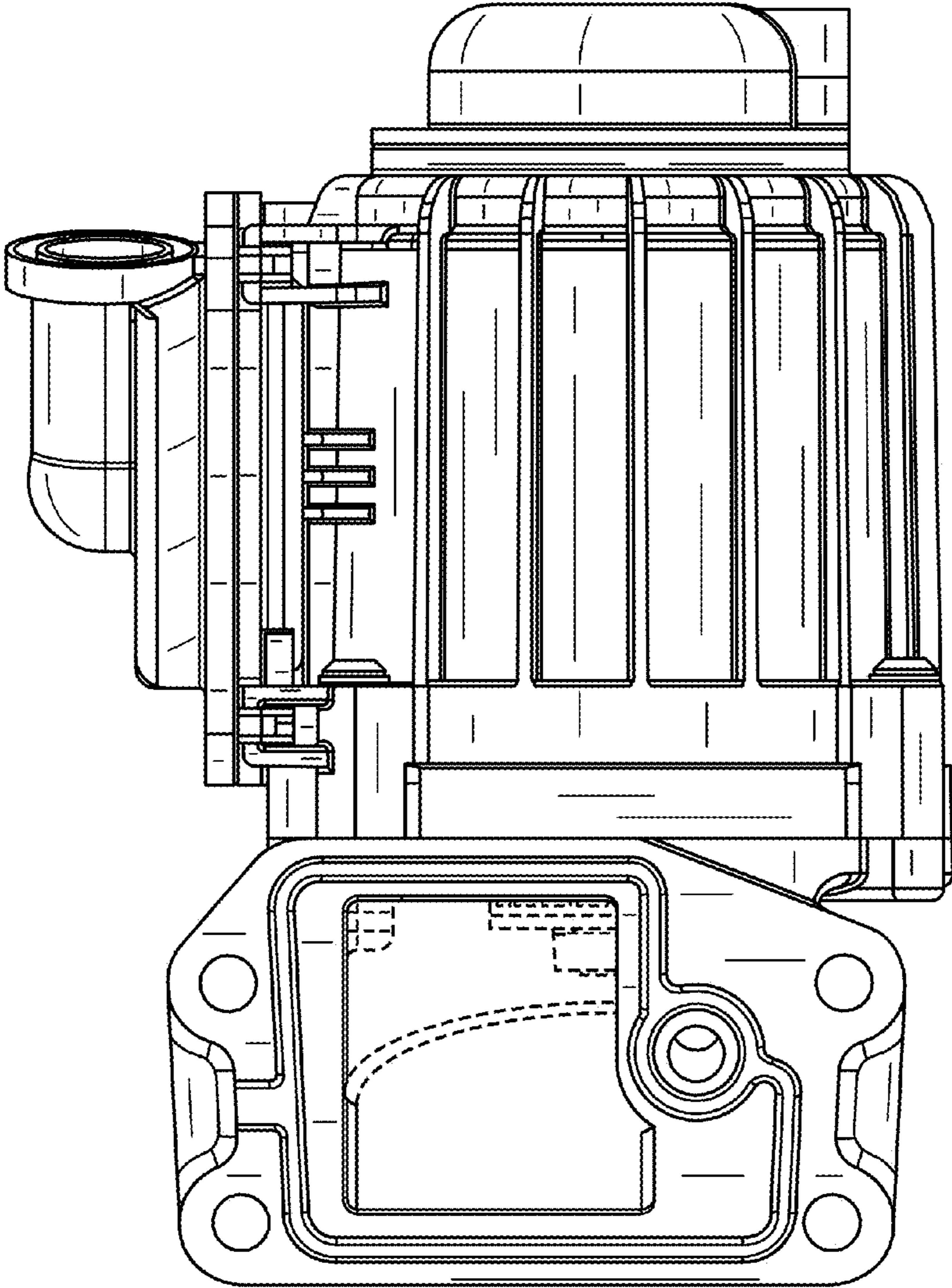


FIG. 3

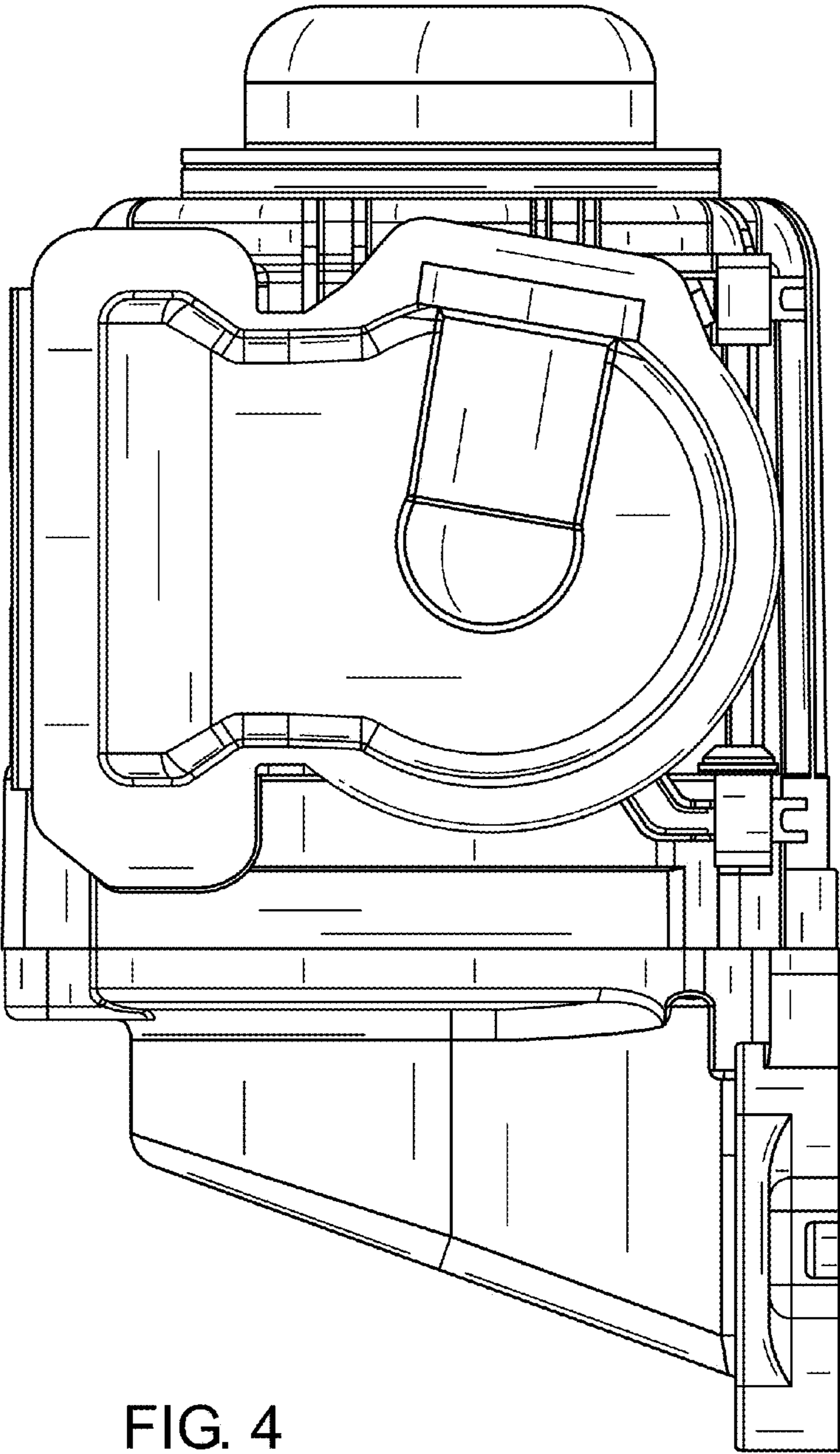


FIG. 4

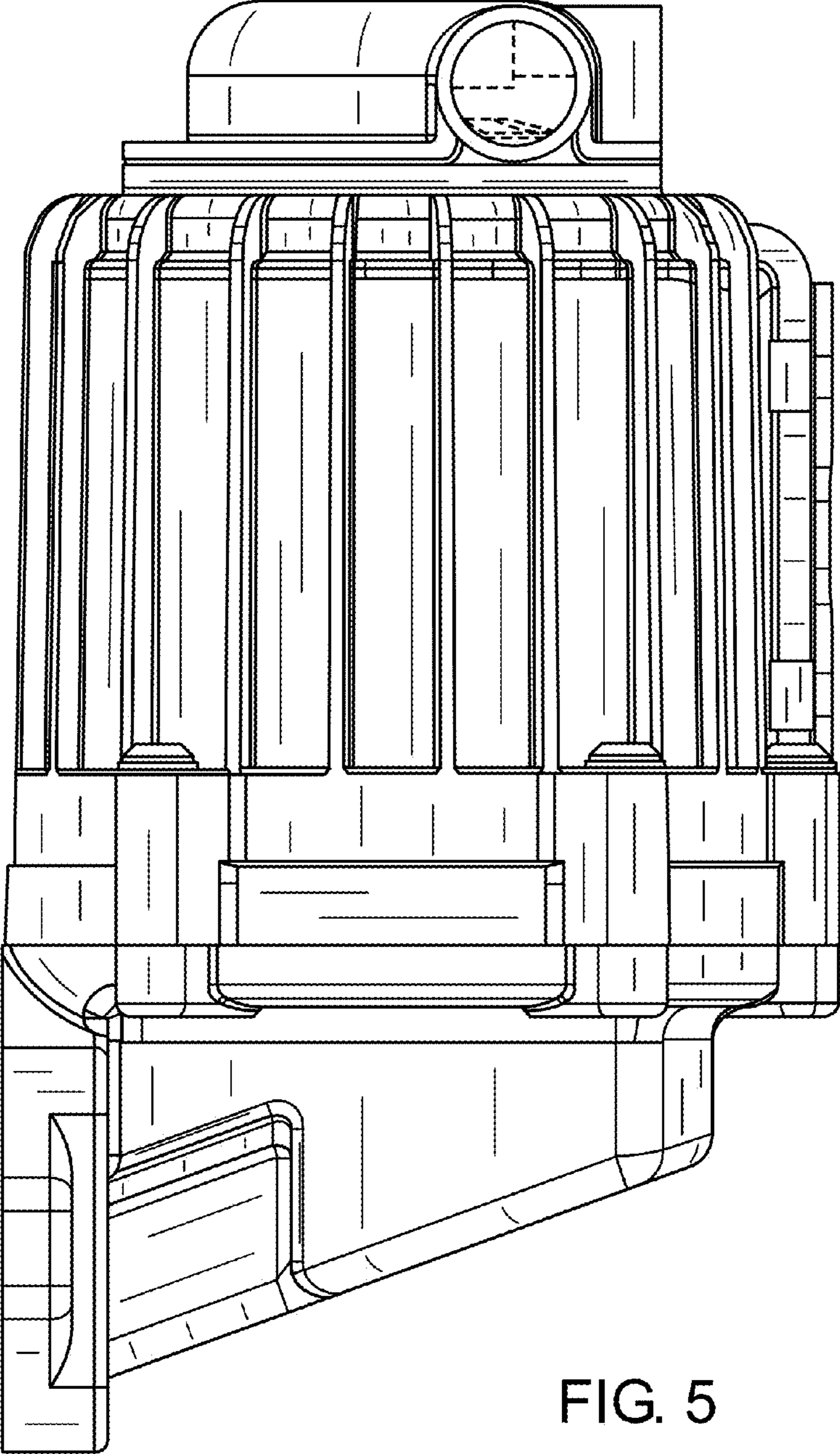


FIG. 5

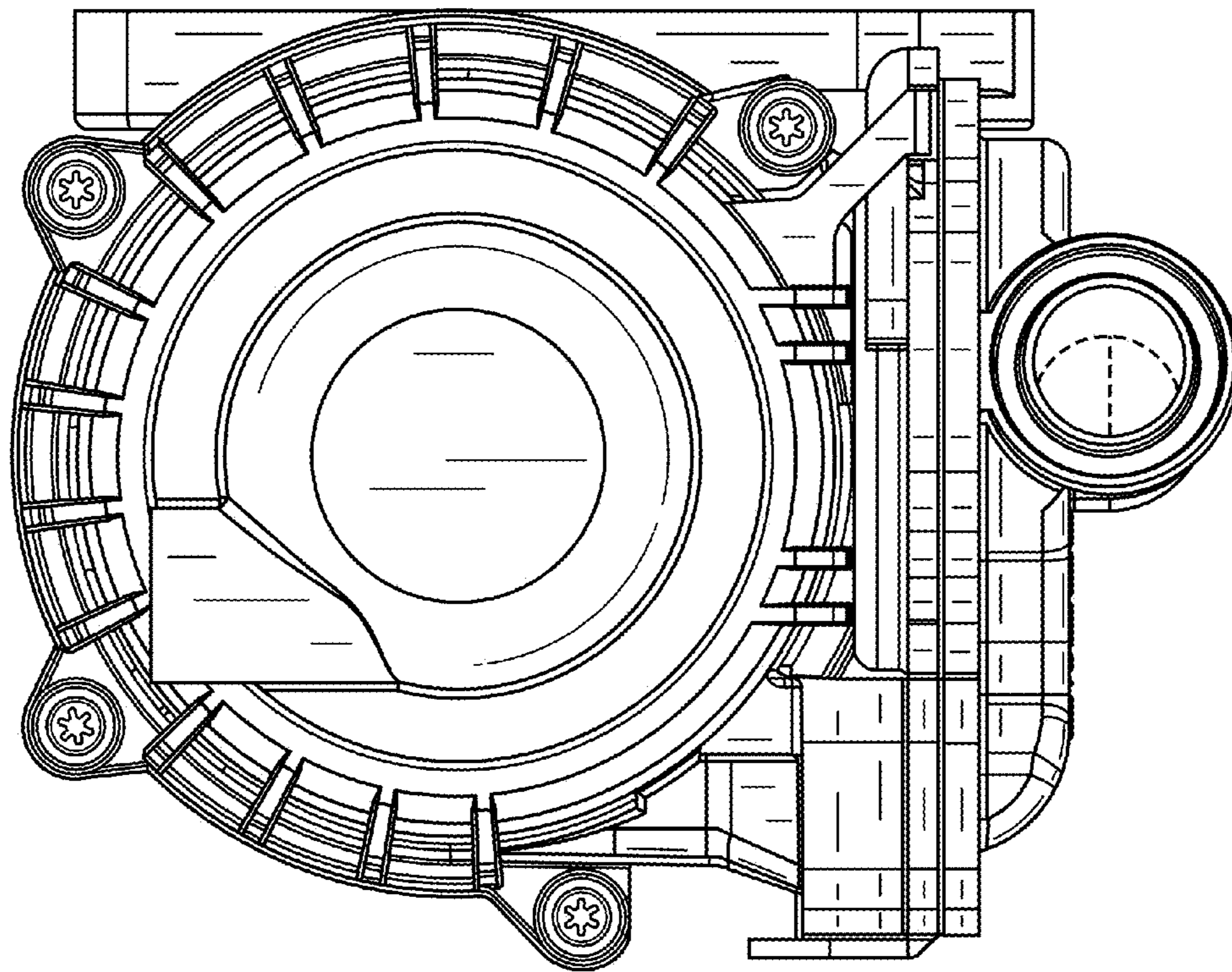


FIG. 6

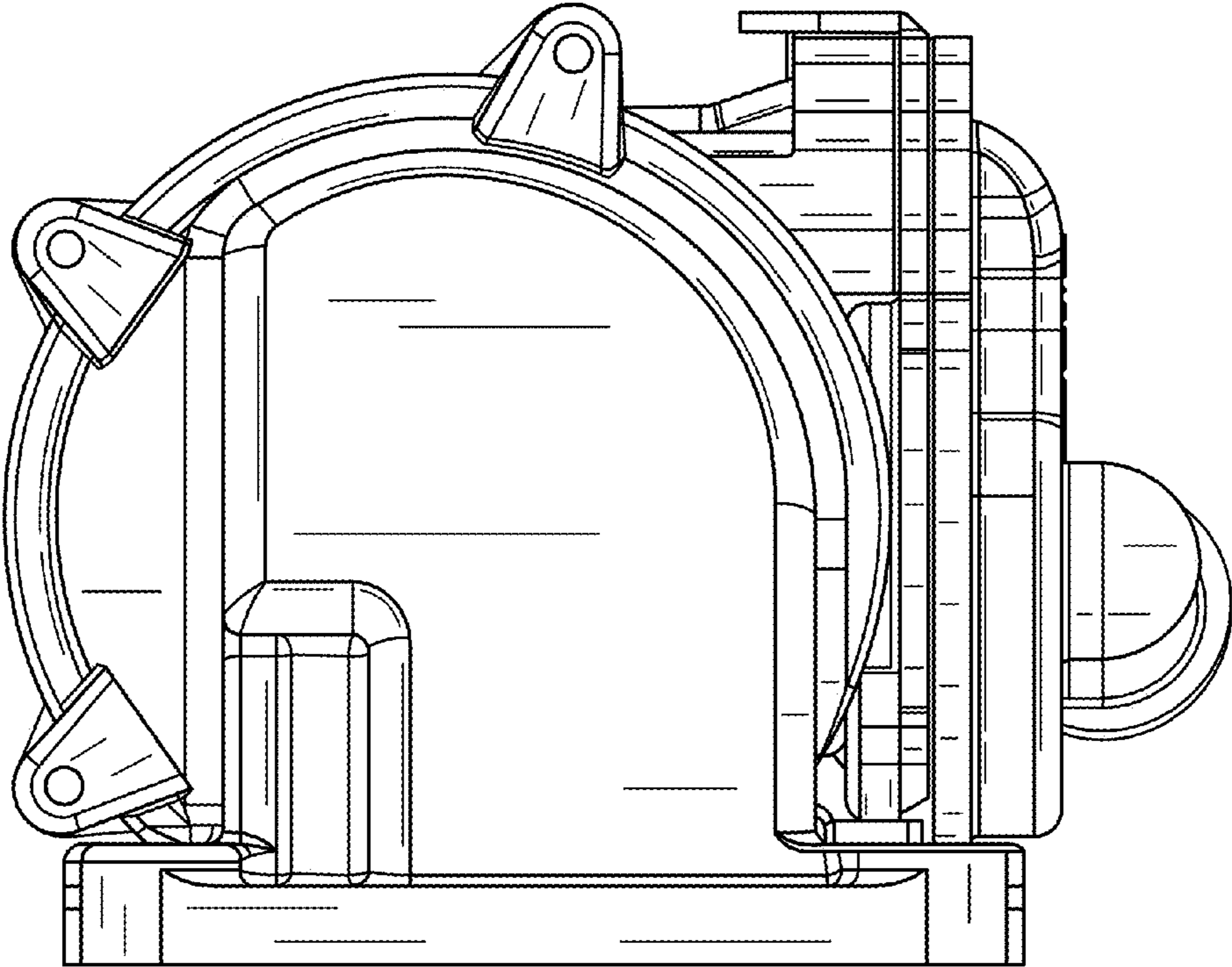


FIG. 7