



US00D762755S

(12) **United States Design Patent**  
**Eliasson**

(10) **Patent No.:** **US D762,755 S**  
(45) **Date of Patent:** **\*\* Aug. 2, 2016**

- (54) **SEPARATOR**
- (71) Applicant: **Alfdex AB**, Landskrona (SE)
- (72) Inventor: **Thomas Eliasson**, Alvsjo (SE)
- (73) Assignee: **Alfdex AB**, Landskrona (SE)
- (\*\*) Term: **14 Years**
- (21) Appl. No.: **29/520,729**
- (22) Filed: **Mar. 17, 2015**
- (30) **Foreign Application Priority Data**  
Sep. 23, 2014 (EM) ..... 002543108-0001
- (51) **LOC (10) Cl.** ..... **15-09**
- (52) **U.S. Cl.**  
USPC ..... **D15/147**
- (58) **Field of Classification Search**  
USPC ..... D15/140, 199, 145  
See application file for complete search history.

- D707,737 S \* 6/2014 Craaford ..... D15/147
- 8,747,503 B2 \* 6/2014 Tornblom ..... B01D 45/14  
55/400
- 8,758,469 B2 \* 6/2014 Eliasson ..... B01D 45/14  
55/400
- 8,764,869 B2 \* 7/2014 Eliasson ..... B01D 45/14  
55/282.1
- D718,835 S \* 12/2014 Lipkens ..... D23/207
- D722,674 S \* 2/2015 Lipkens ..... D23/207
- D729,603 S \* 5/2015 Stephen ..... D8/61
- 9,056,319 B2 \* 6/2015 Eliasson ..... B01D 45/14  
55/400
- 9,061,291 B2 \* 6/2015 Eliasson ..... B01D 45/14  
55/400
- D735,257 S \* 7/2015 Fancelli ..... D15/147
- D742,419 S \* 11/2015 Armstrong ..... D15/5

\* cited by examiner

*Primary Examiner* — Patricia Palasik

(74) *Attorney, Agent, or Firm* — Buchanan, Ingersoll & Rooney PC

(57) **CLAIM**

The ornamental design for a separator, as shown and described.

(56) **References Cited**

**U.S. PATENT DOCUMENTS**

- 6,755,896 B2 \* 6/2004 Szepessy ..... B01D 45/14  
D45/14
- D679,733 S \* 4/2013 Armstrong ..... D15/5
- 8,657,908 B2 \* 2/2014 Eliasson ..... B04B 5/005  
55/400
- 8,657,909 B2 \* 2/2014 Tornblom ..... B04B 5/005  
55/400
- 8,657,913 B2 \* 2/2014 Pogen ..... B04B 5/12  
55/400
- 8,673,038 B2 \* 3/2014 Tornblom ..... B04B 5/005  
55/400
- 8,679,214 B2 \* 3/2014 Pogen ..... B01D 45/14  
55/400

**DESCRIPTION**

FIG. 1 is a perspective view of a separator showing my new design.

FIG. 2 is a front elevational view thereof.

FIG. 3 is a rear elevational view thereof.

FIG. 4 is a left side elevational view thereof.

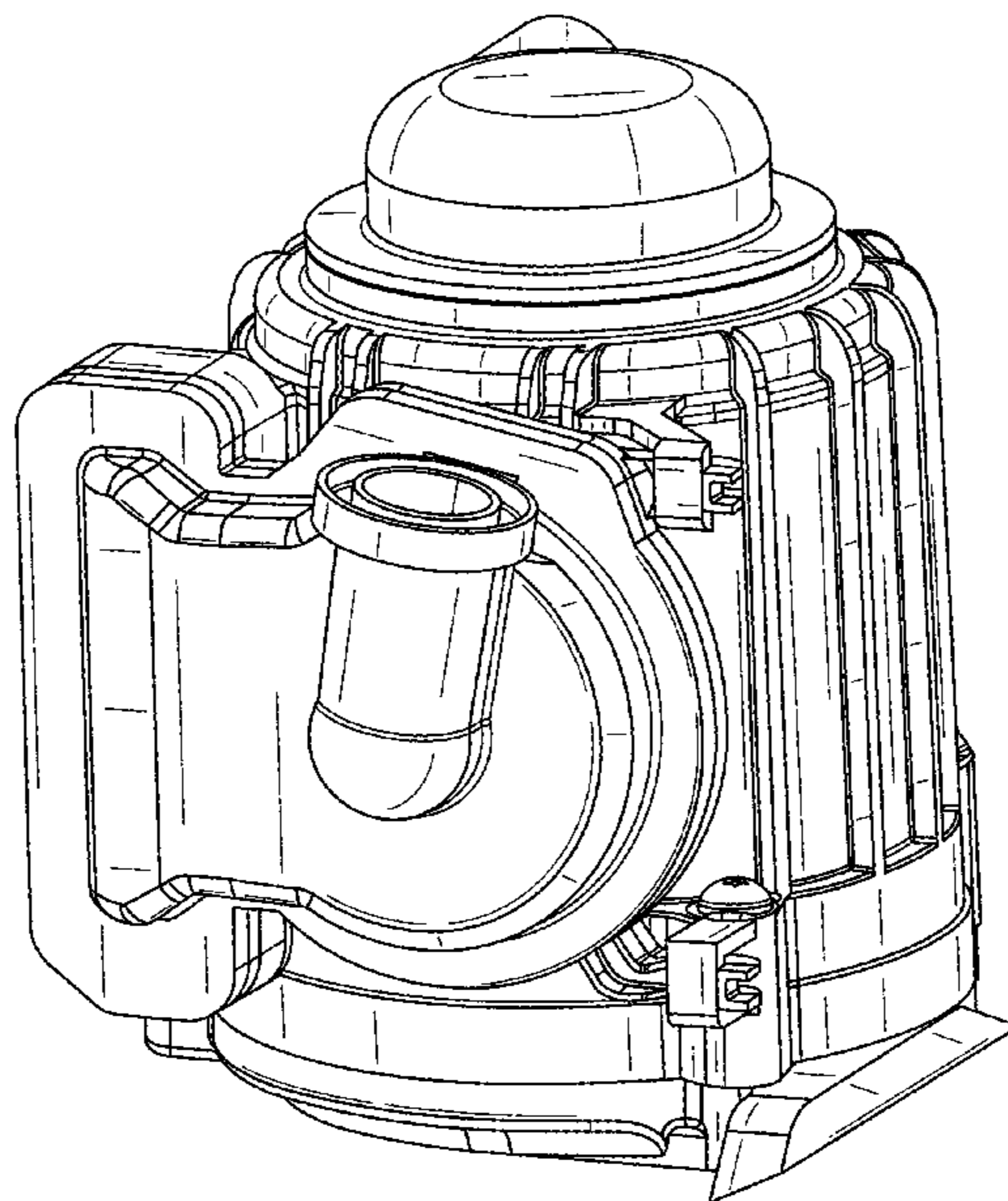
FIG. 5 is a right side elevational view thereof.

FIG. 6 is a top plan view thereof; and,

FIG. 7 is a bottom plan view thereof.

The broken lines in the drawings depict unclaimed environmental subject matter.

**1 Claim, 7 Drawing Sheets**



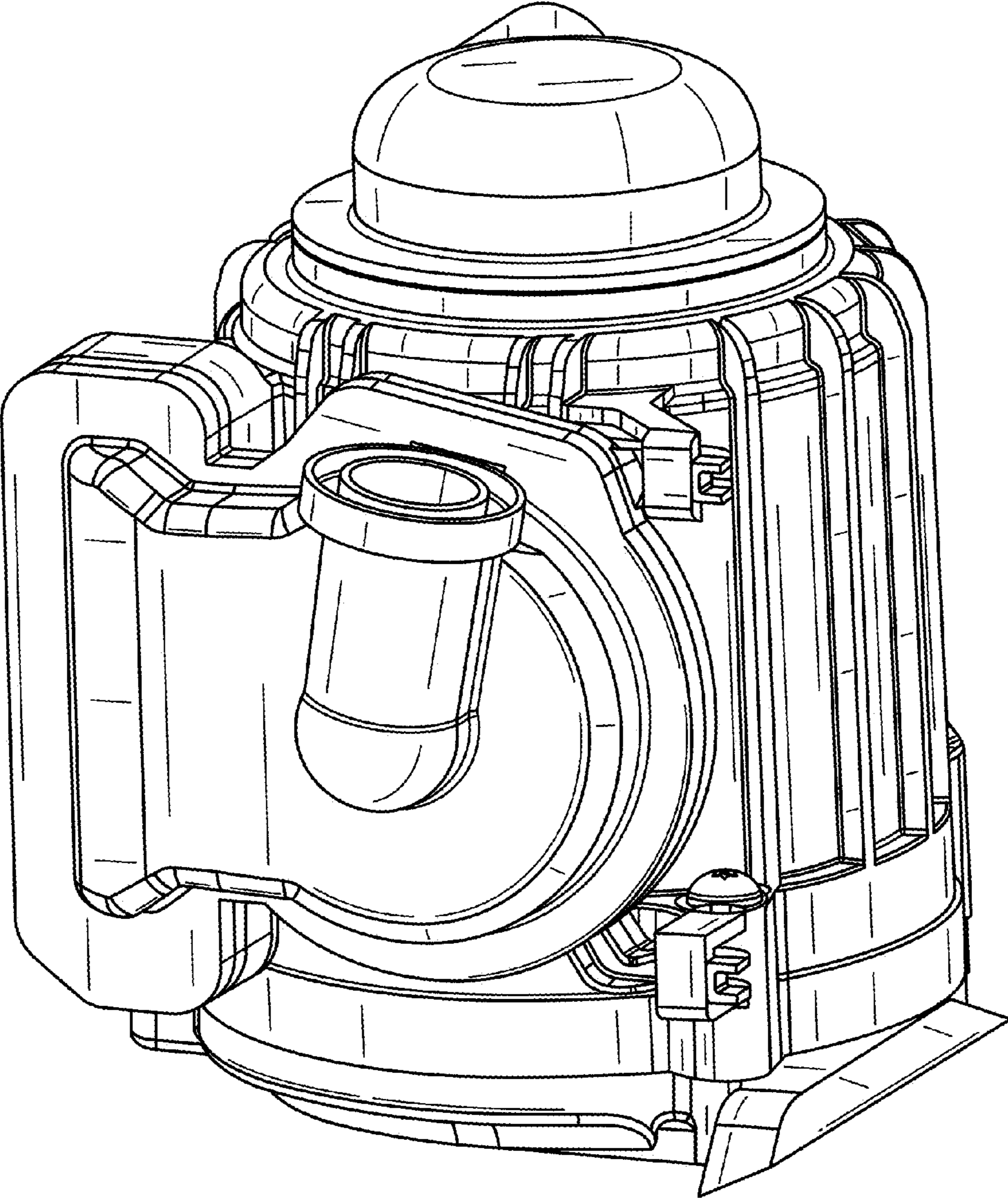


FIG. 1

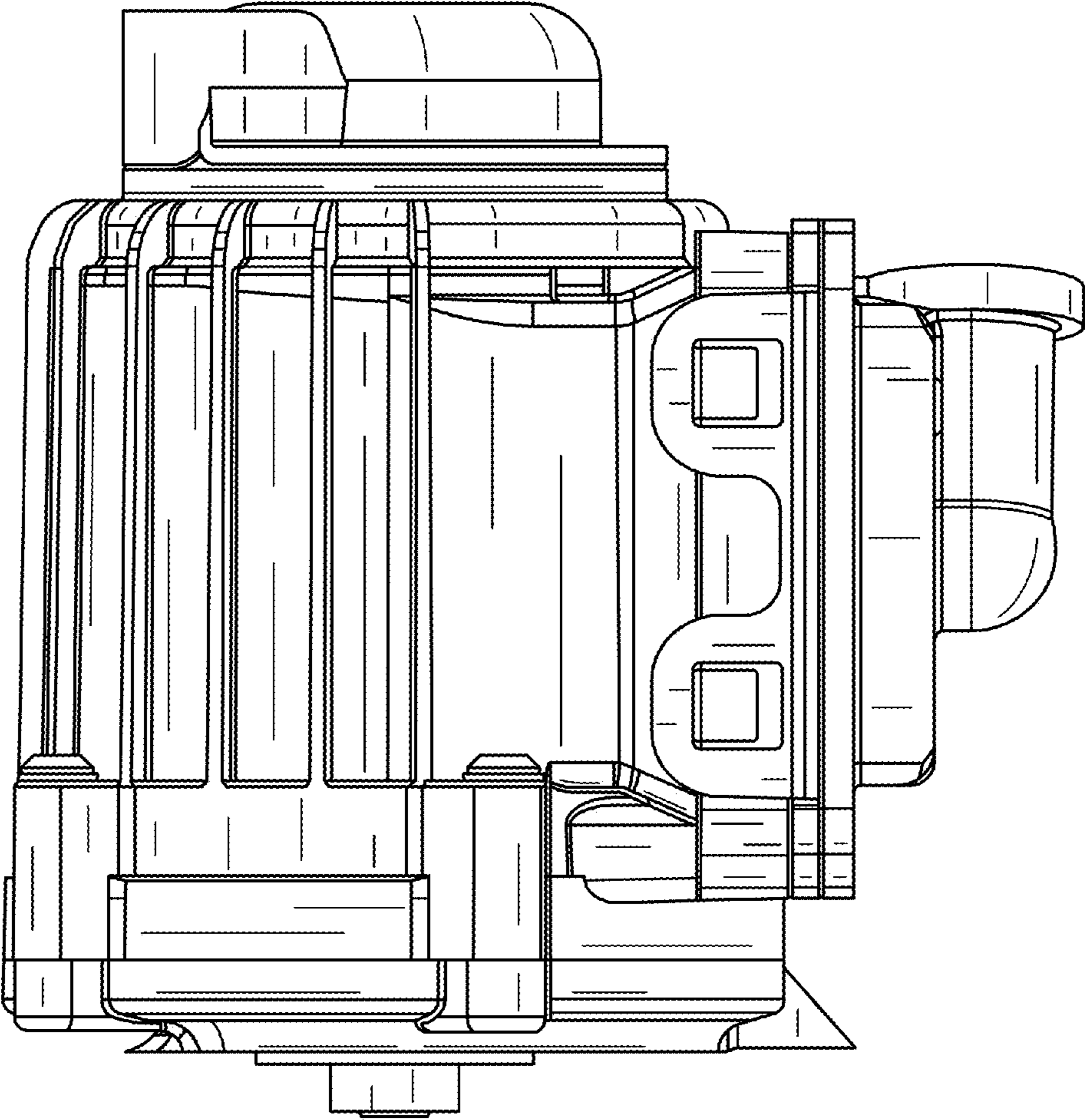


FIG. 2

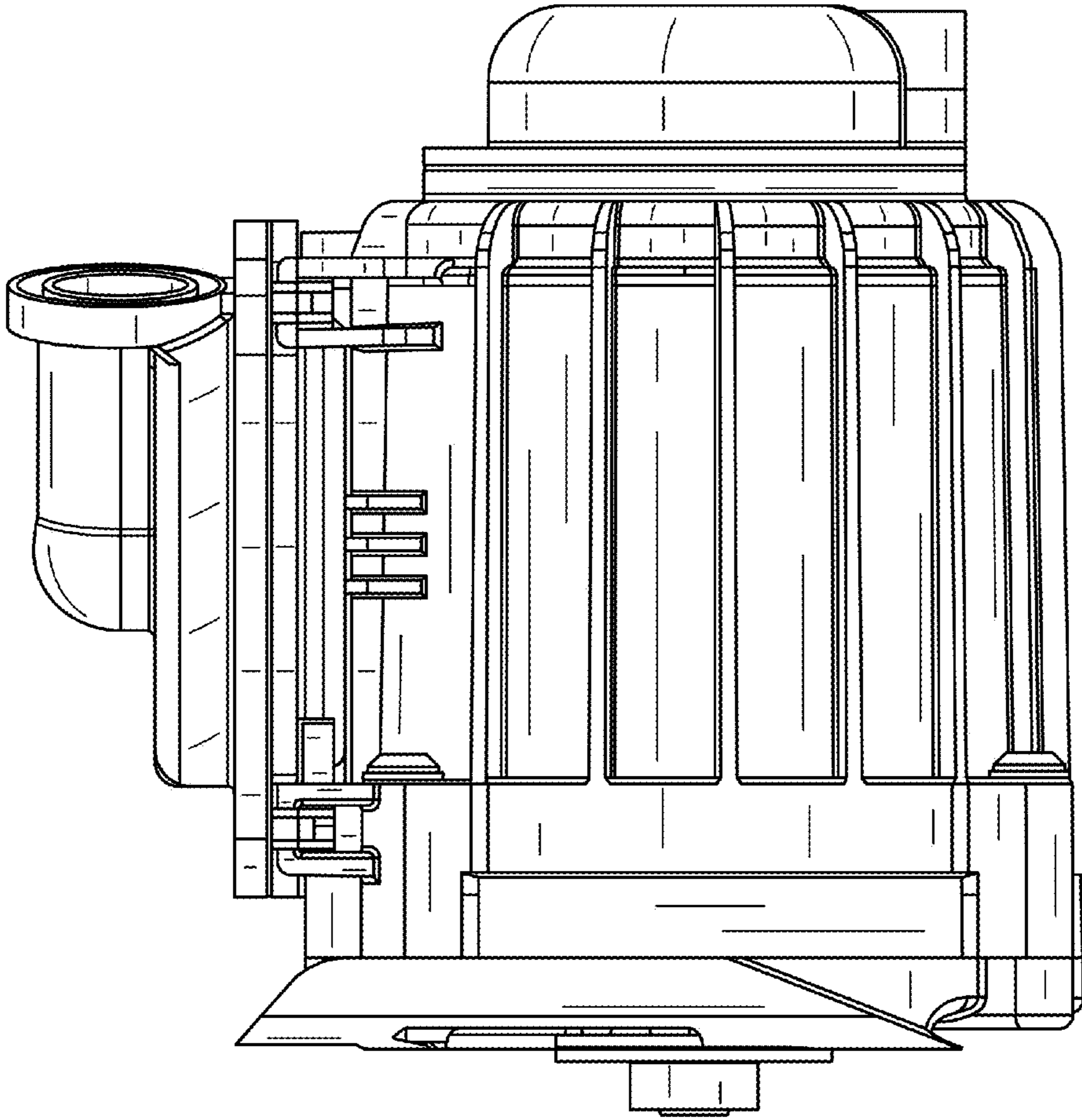


FIG. 3

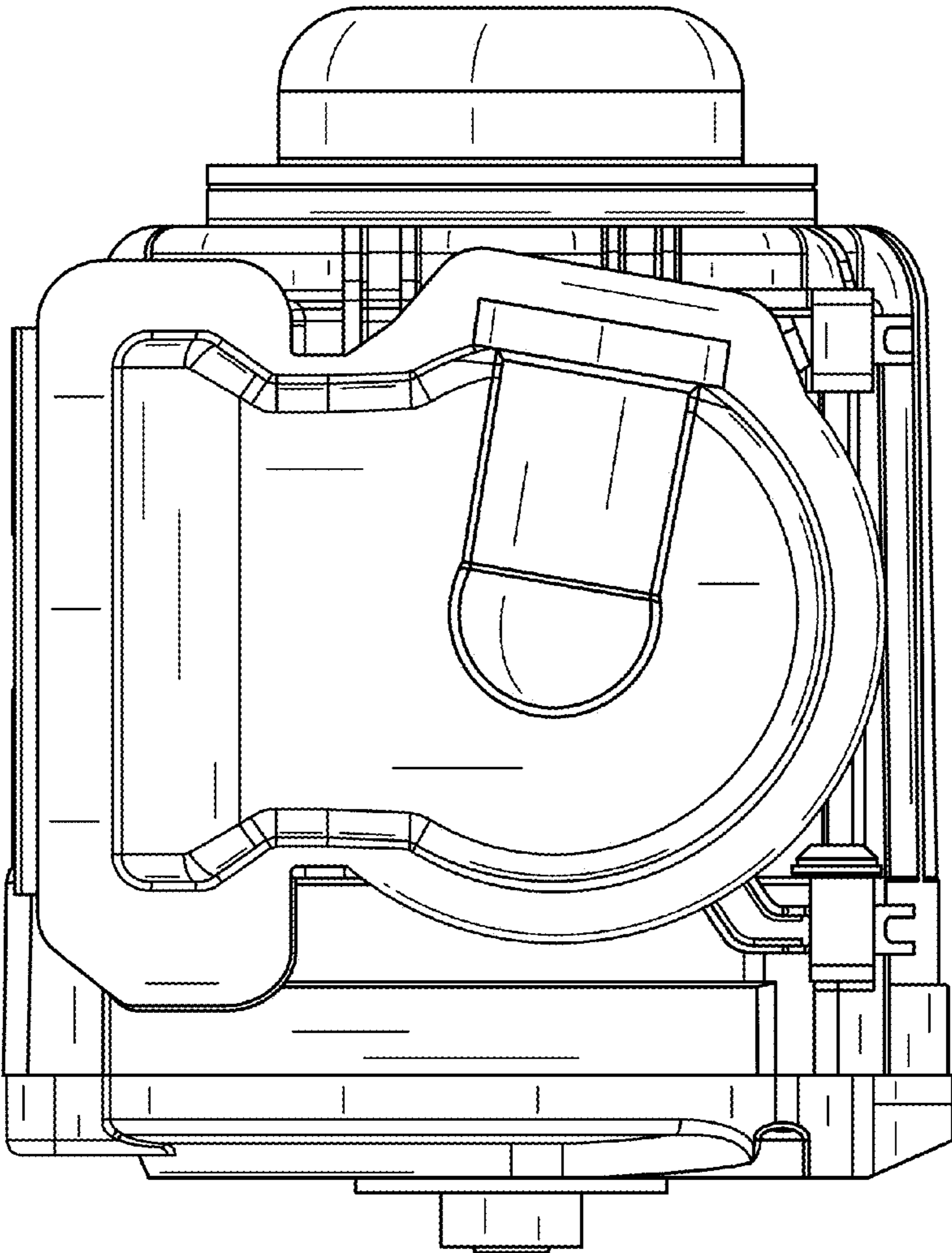


FIG. 4

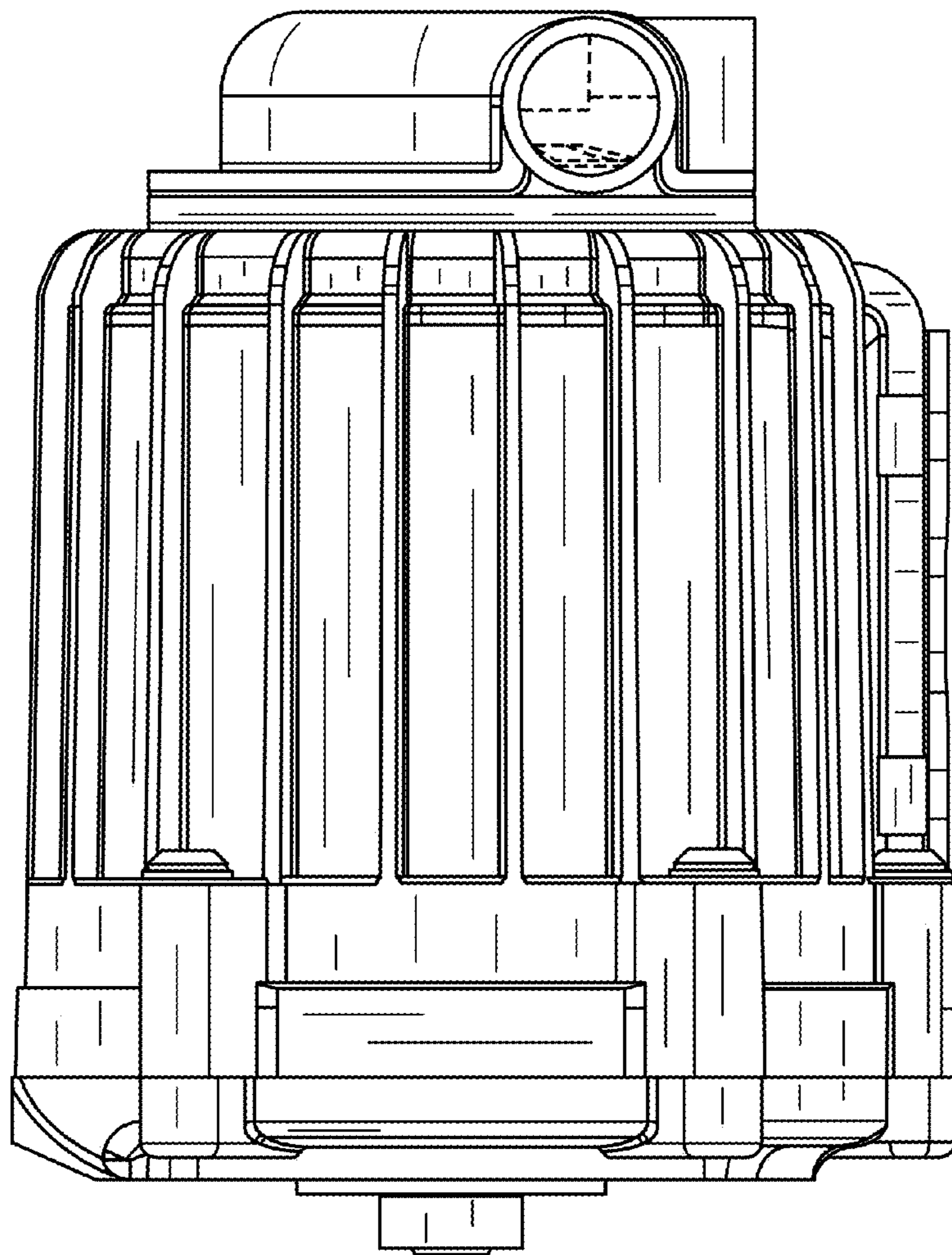


FIG. 5

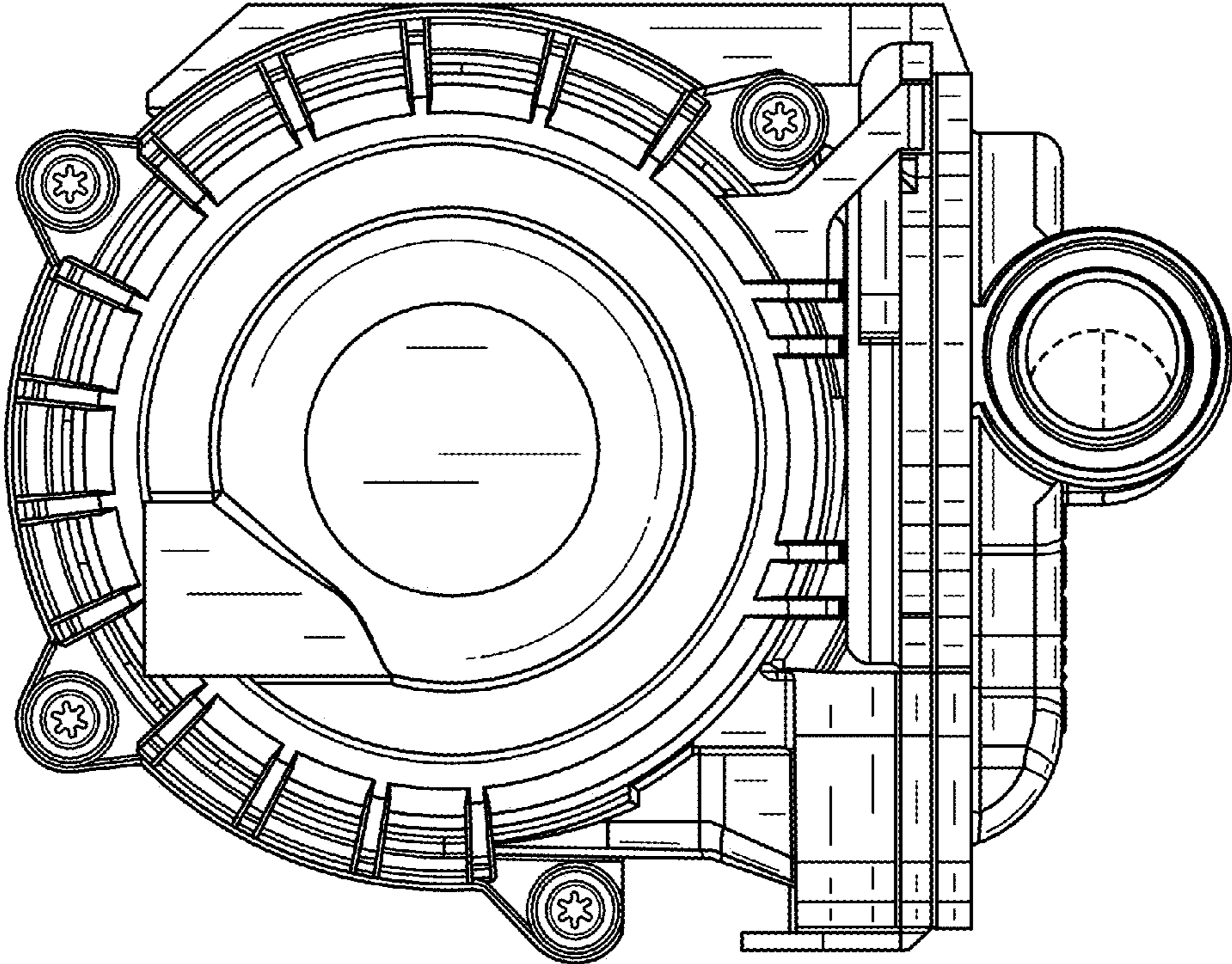


FIG. 6

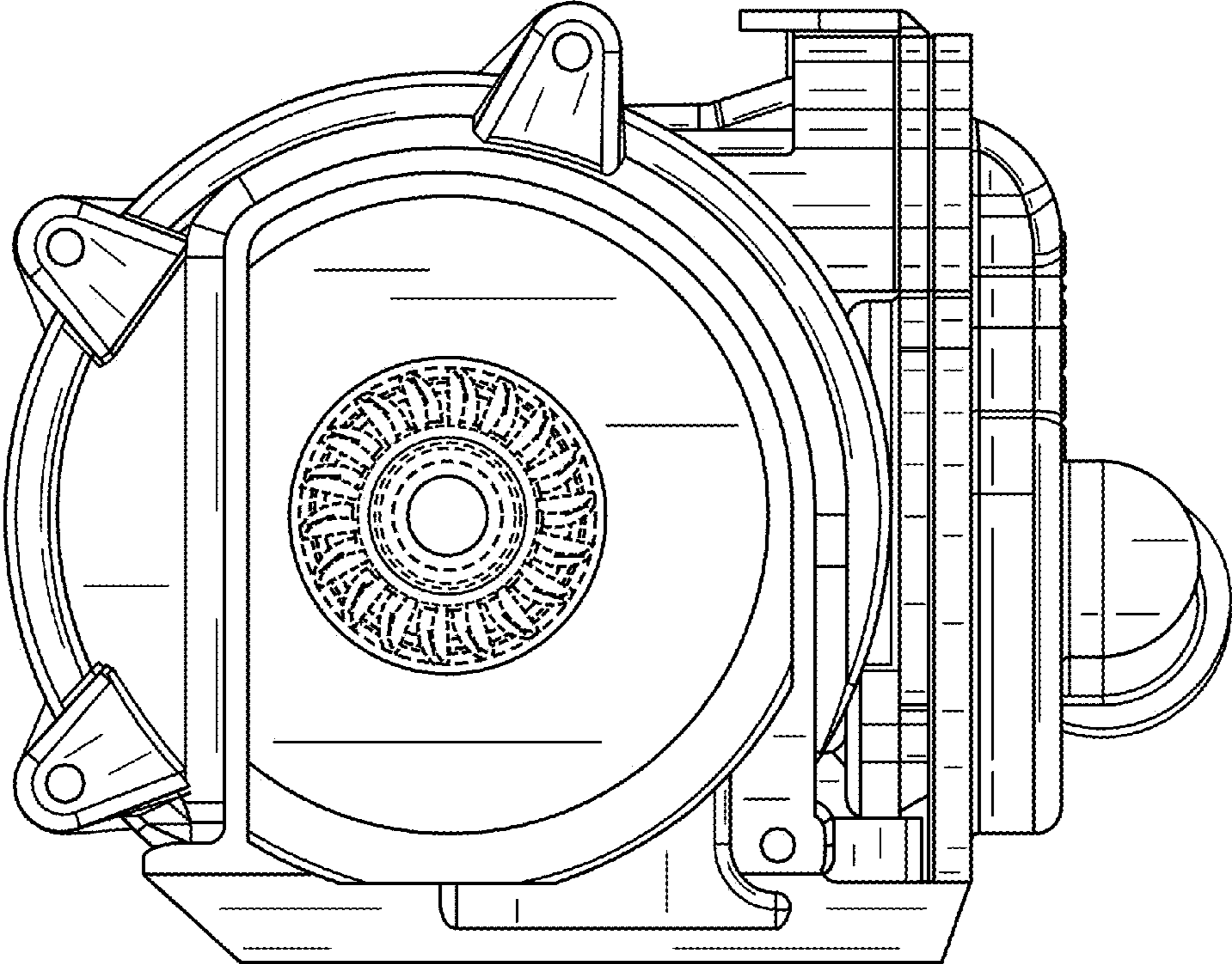


FIG. 7