

US00D762754S

(12) **United States Design Patent**
Kita

(10) **Patent No.:** **US D762,754 S**

(45) **Date of Patent:** **** Aug. 2, 2016**

(54) **CONTROLLER FOR DESOLDERING TOOL**

(71) Applicant: **Hakko Corporation**, Osaka-shi, Osaka (JP)

(72) Inventor: **Toshiyuki Kita**, Osaka (JP)

(73) Assignee: **Hakko Corporation**, Osaka-shi, Osaka (JP)

(**) Term: **15 Years**

(21) Appl. No.: **29/529,638**

(22) Filed: **Jun. 9, 2015**

(30) **Foreign Application Priority Data**

Dec. 17, 2014 (JP) D2014-028108

(51) **LOC (10) Cl.** **15-09**

(52) **U.S. Cl.**
USPC **D15/144.2**

(58) **Field of Classification Search**
USPC D8/29.1, 29.2, 30; D10/78; D14/126;
D15/122, 144, 144.1, 144.2
See application file for complete search history.

(56) **References Cited**

U.S. PATENT DOCUMENTS

- 4,418,268 A * 11/1983 Munshaw B23K 3/027
219/240
- D274,819 S * 7/1984 Bouman D15/144
- D274,882 S * 7/1984 Rittmann D15/144
- D398,016 S * 9/1998 Neef D15/144.2
- D424,077 S * 5/2000 Abed D15/144
- D428,427 S * 7/2000 Neef D15/144.2
- D490,448 S * 5/2004 Ishihara D15/144
- D497,527 S * 10/2004 Masaki D8/30
- D508,930 S * 8/2005 Crisler, III D15/144

- D527,402 S * 8/2006 Loch D15/144.2
- D530,349 S * 10/2006 Ishihara D15/144.2
- D576,459 S * 9/2008 Mochizuki D8/30
- D620,328 S * 7/2010 Masaki D8/30
- D656,525 S * 3/2012 Mochizuki D15/144.2
- D666,645 S * 9/2012 Sugiyama 15/30
- D703,715 S * 4/2014 Kita D15/144
- D740,339 S * 10/2015 Teraoka D15/144.2
- 2005/0263512 A1 * 12/2005 Fosbinder B23K 9/1087
219/132

FOREIGN PATENT DOCUMENTS

KR D30-0683413 3/2013

* cited by examiner

Primary Examiner — Patricia Palasik

(74) *Attorney, Agent, or Firm* — Squire Patton Boggs (US) LLP

(57) **CLAIM**

The ornamental design for a controller for desoldering tool, as shown and described.

DESCRIPTION

FIG. 1 is a first perspective view of a controller for desoldering tool;

FIG. 2 is a second perspective view thereof;

FIG. 3 is a front view thereof;

FIG. 4 is a left side view thereof;

FIG. 5 is a right side view thereof;

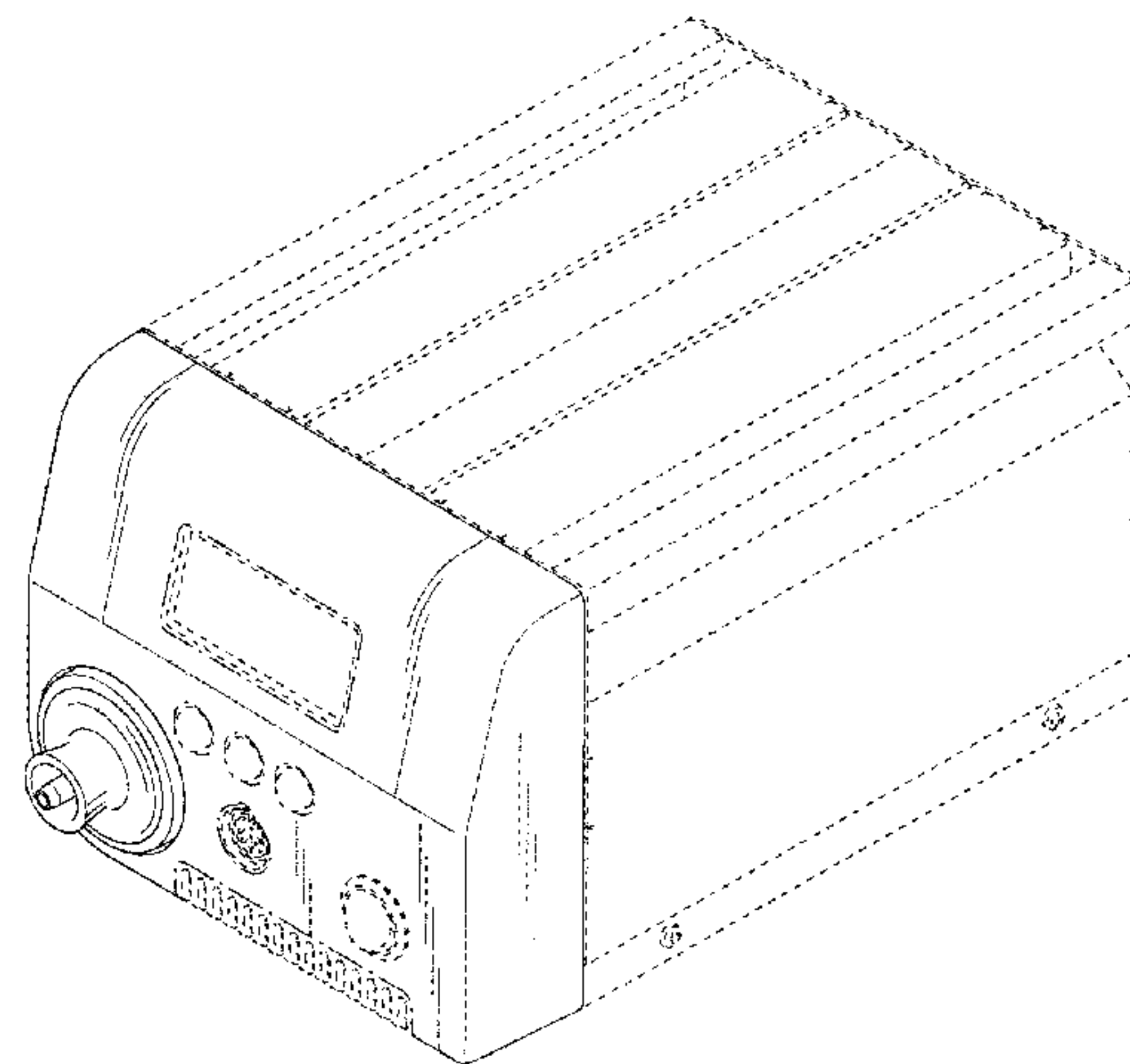
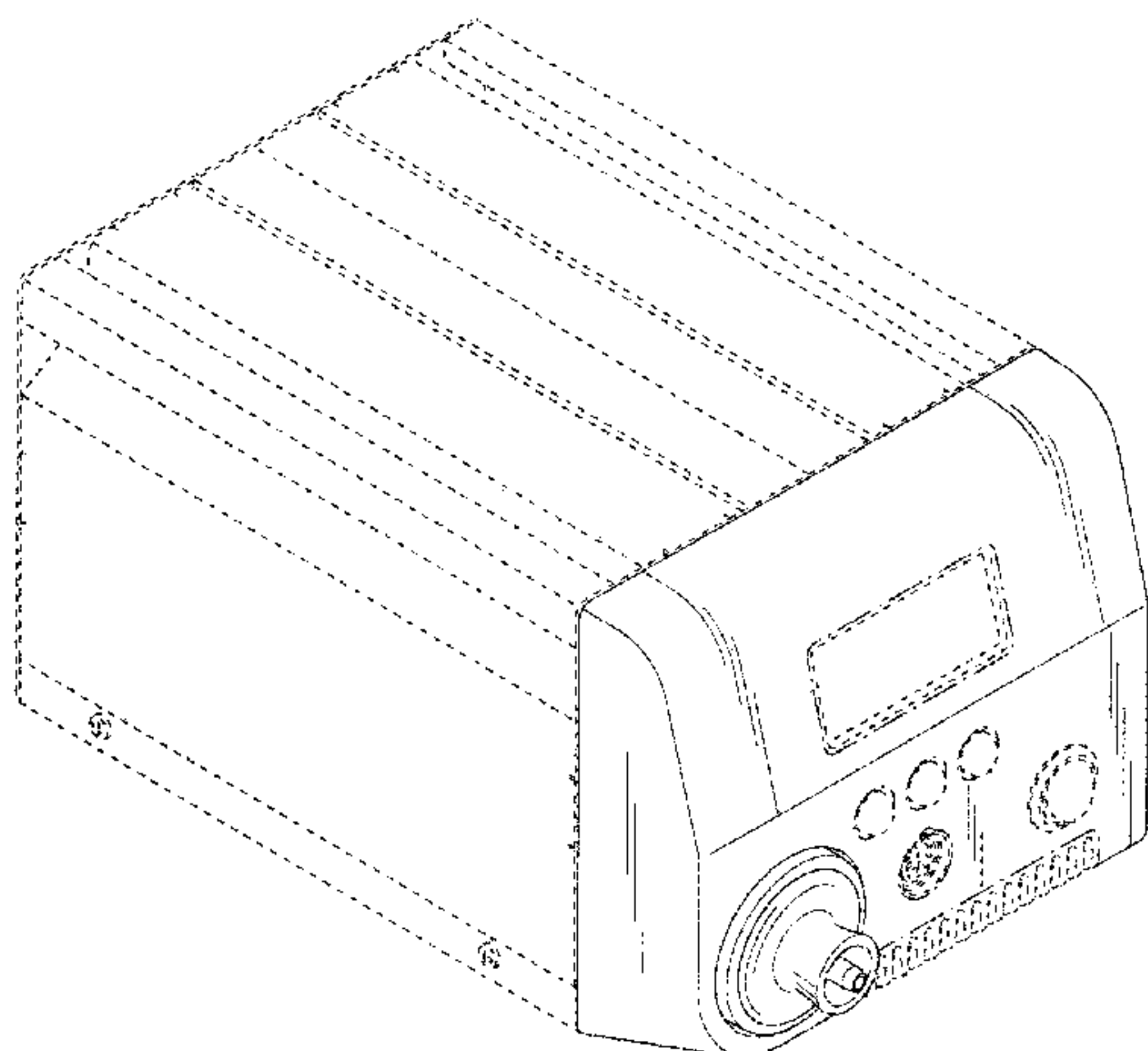
FIG. 6 is a top view thereof; and,

FIG. 7 is a bottom view thereof.

The broken lines in the drawings depict unclaimed environmental subject matter.

The dashed lines in the drawings depict the boundaries of the claimed design and form no part thereof.

1 Claim, 7 Drawing Sheets



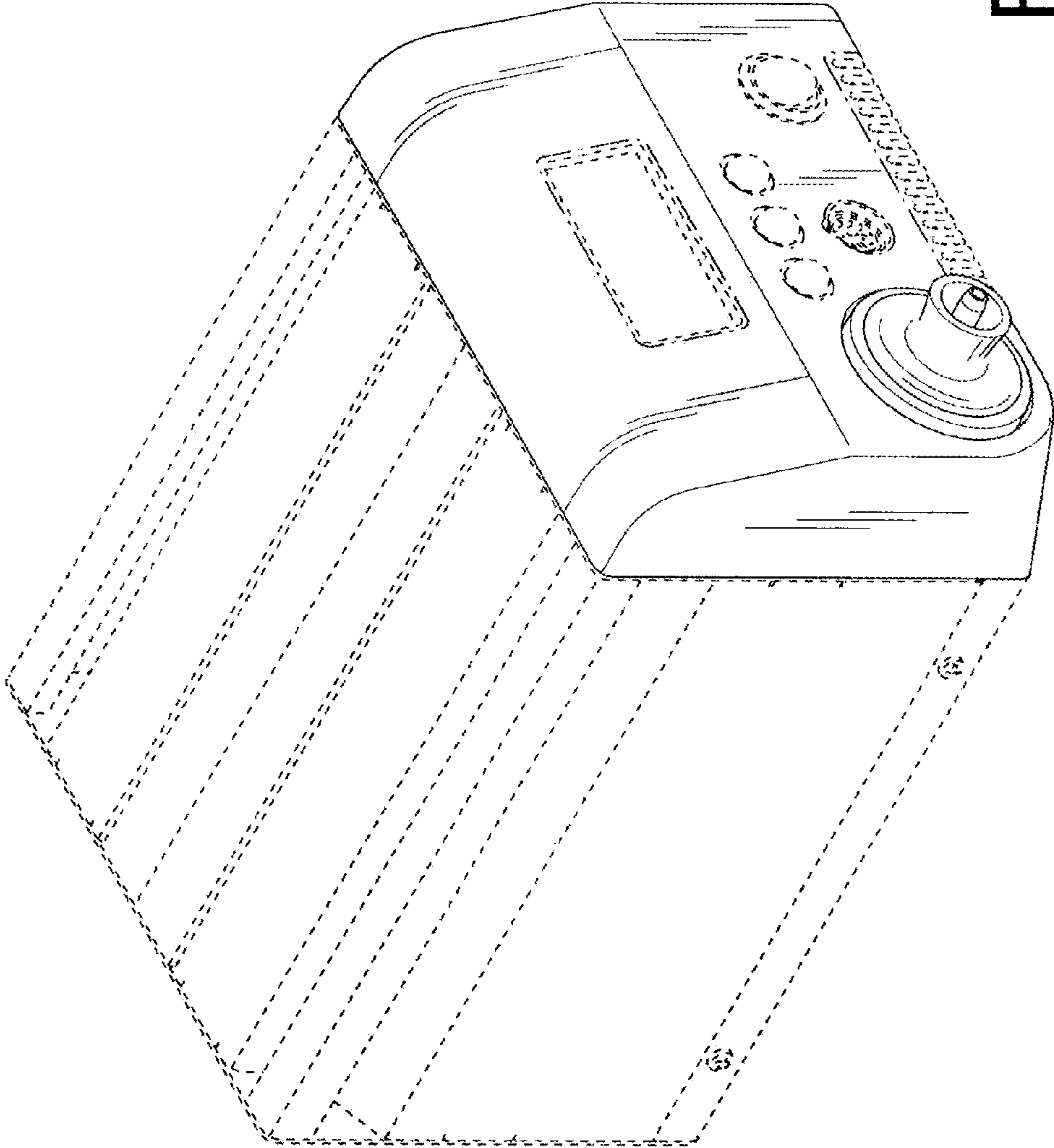


FIG. 1

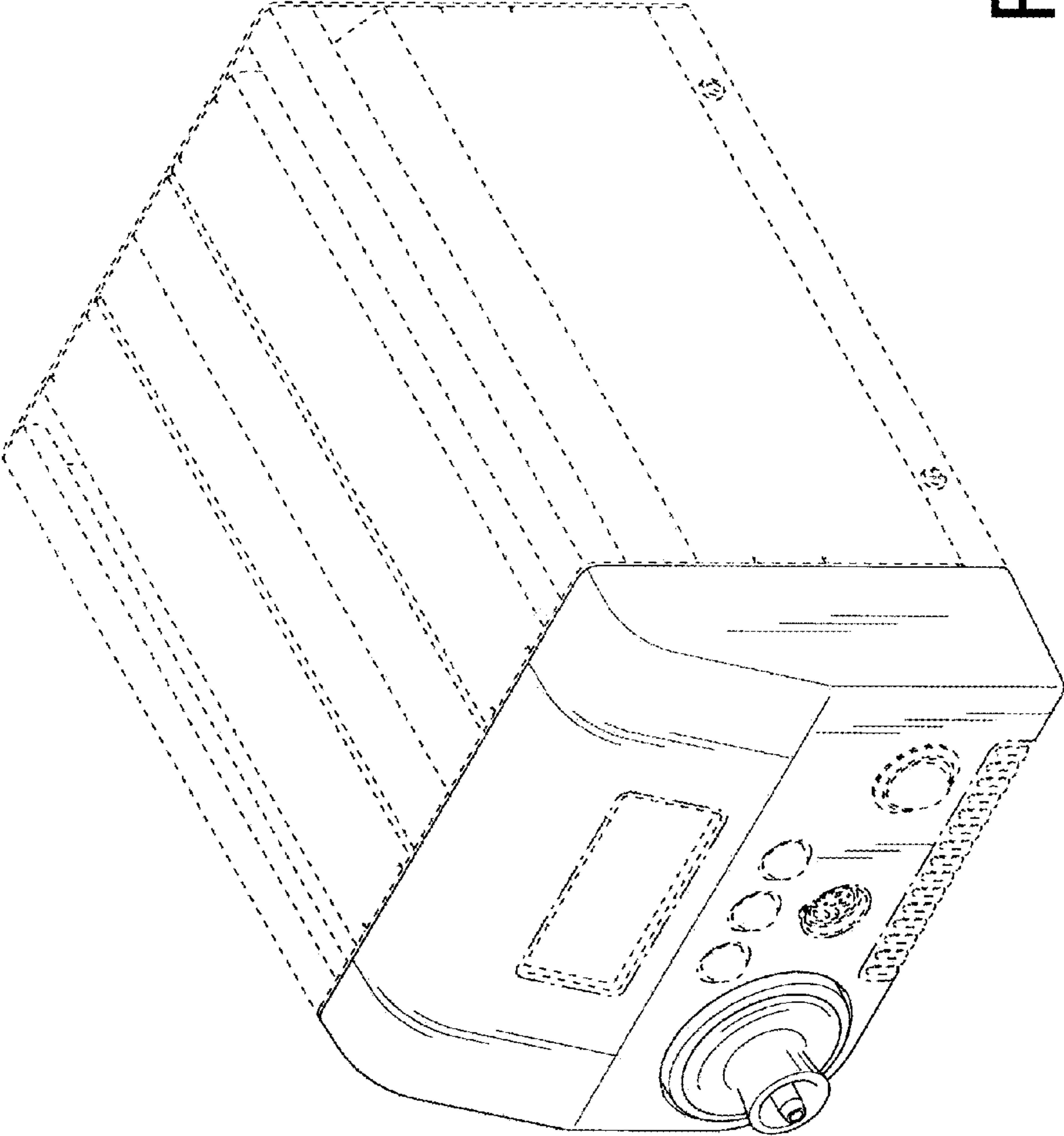


FIG. 2

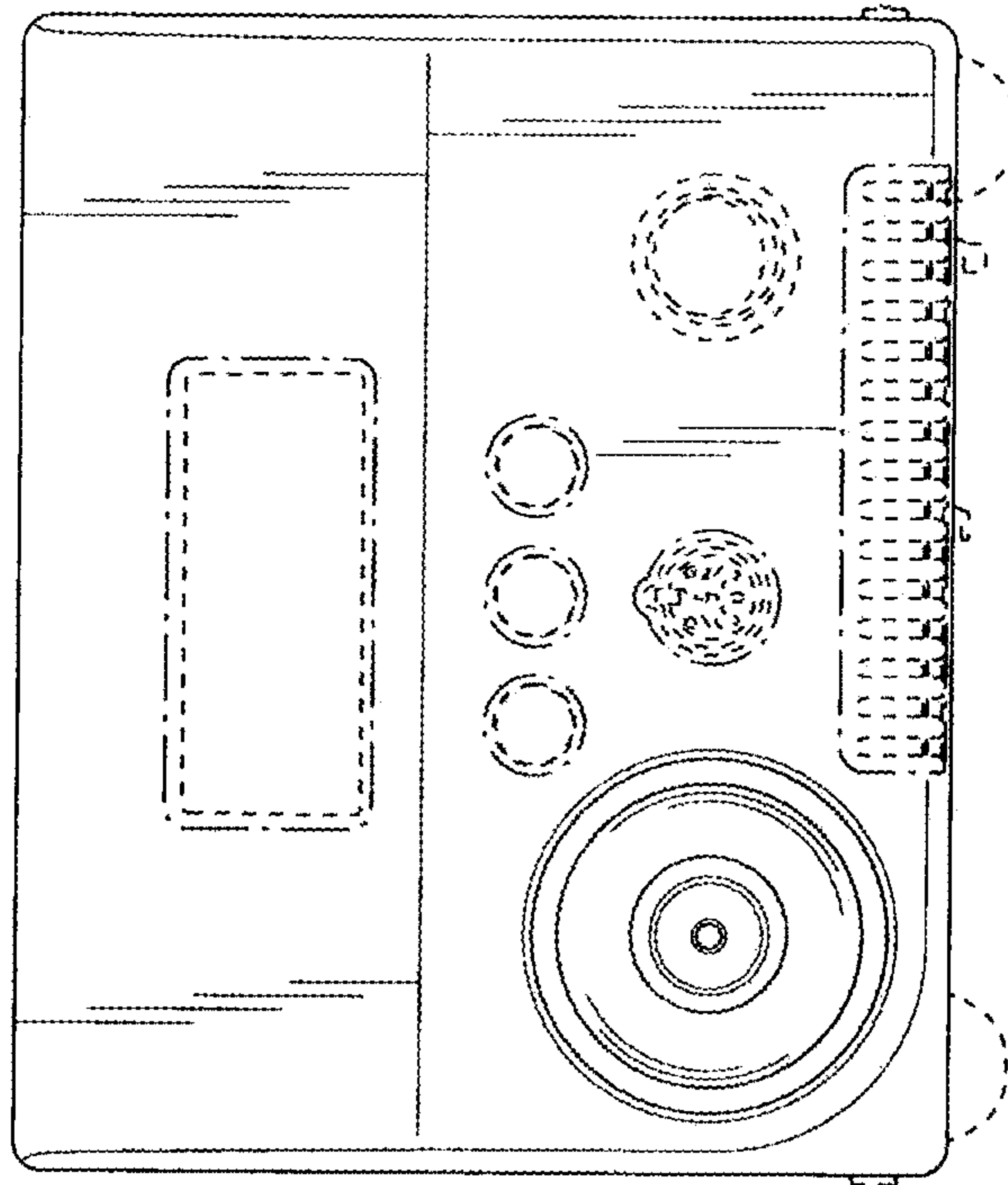


FIG.3

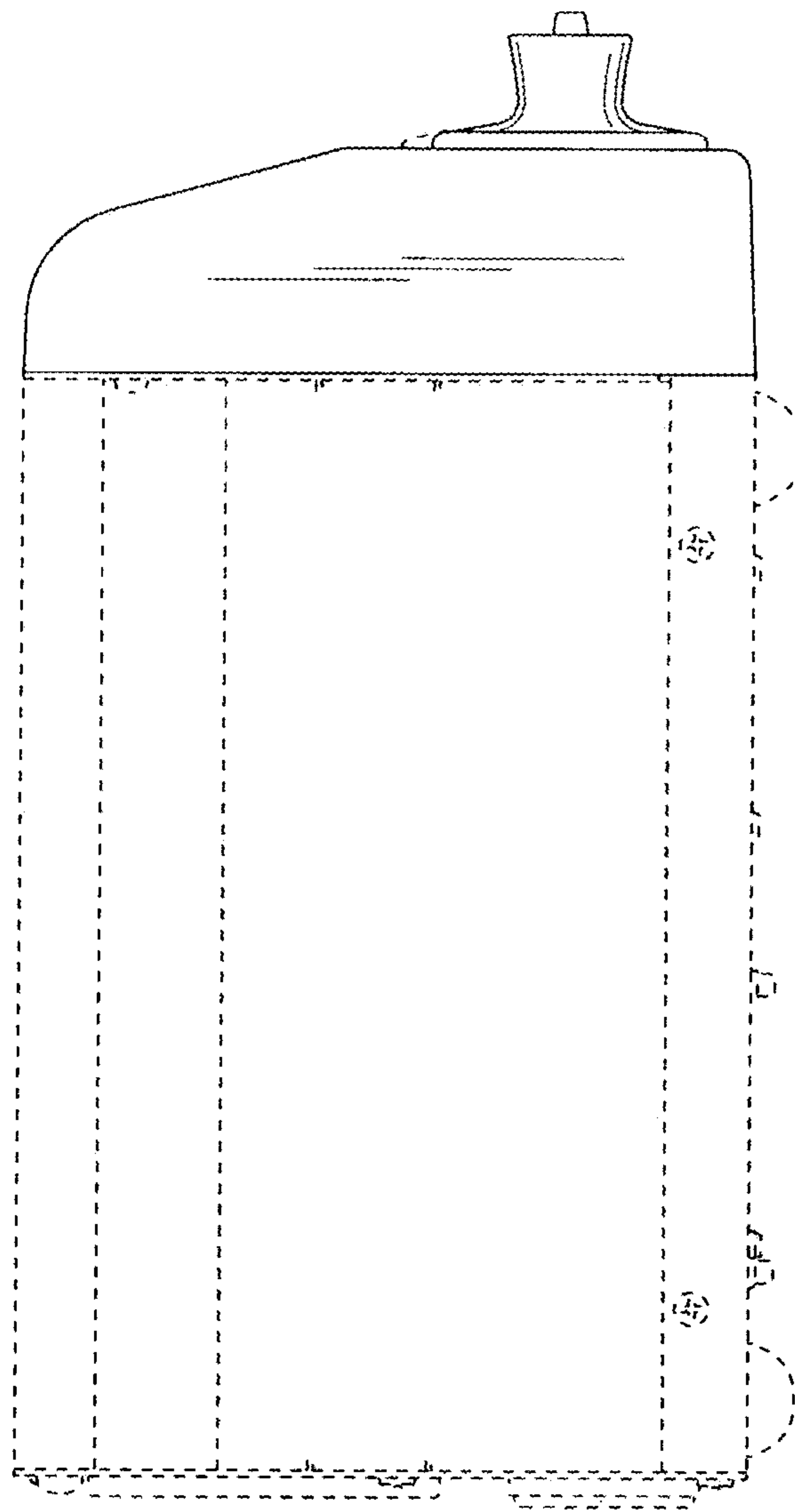


FIG.4

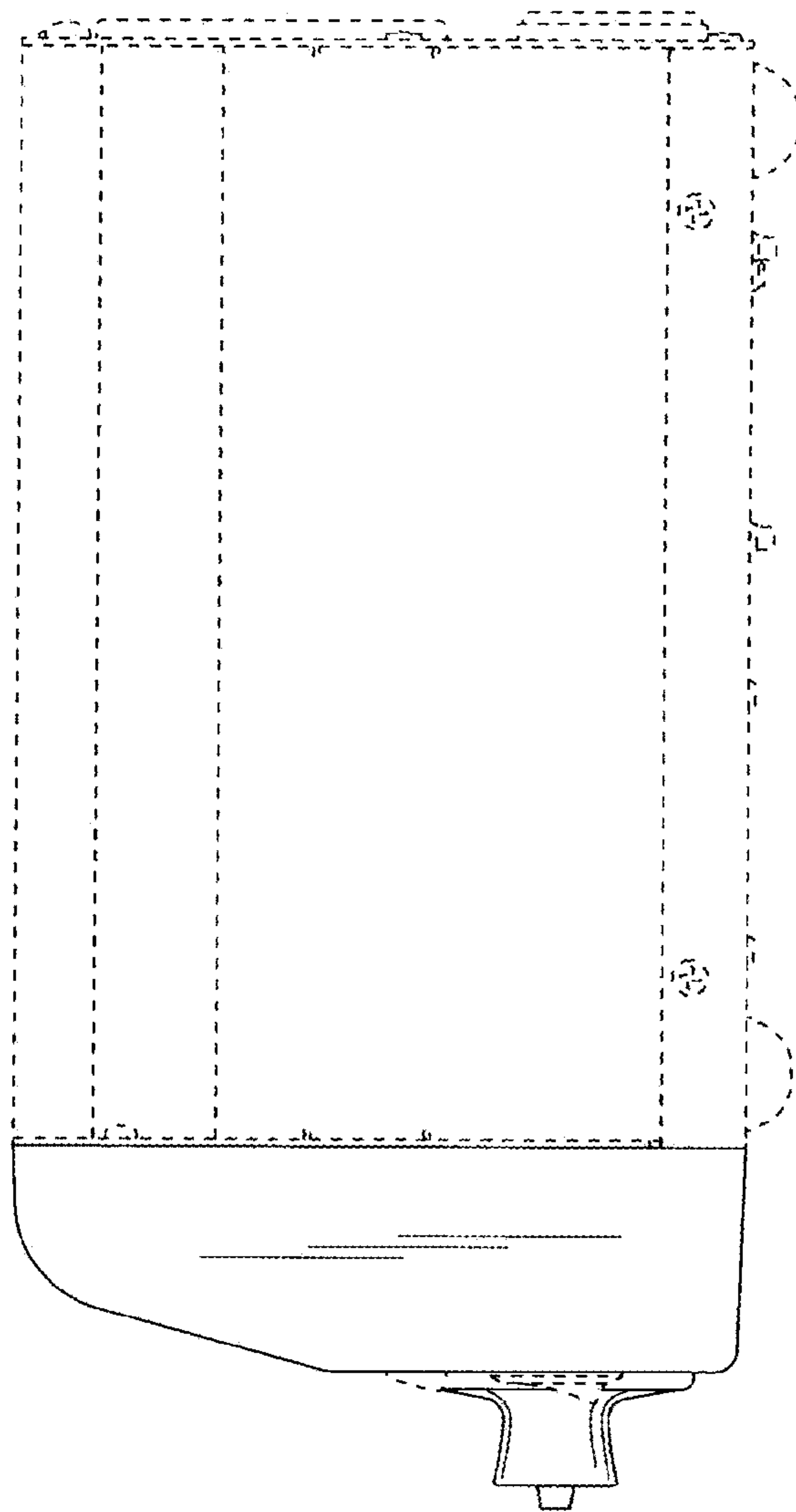


FIG. 5

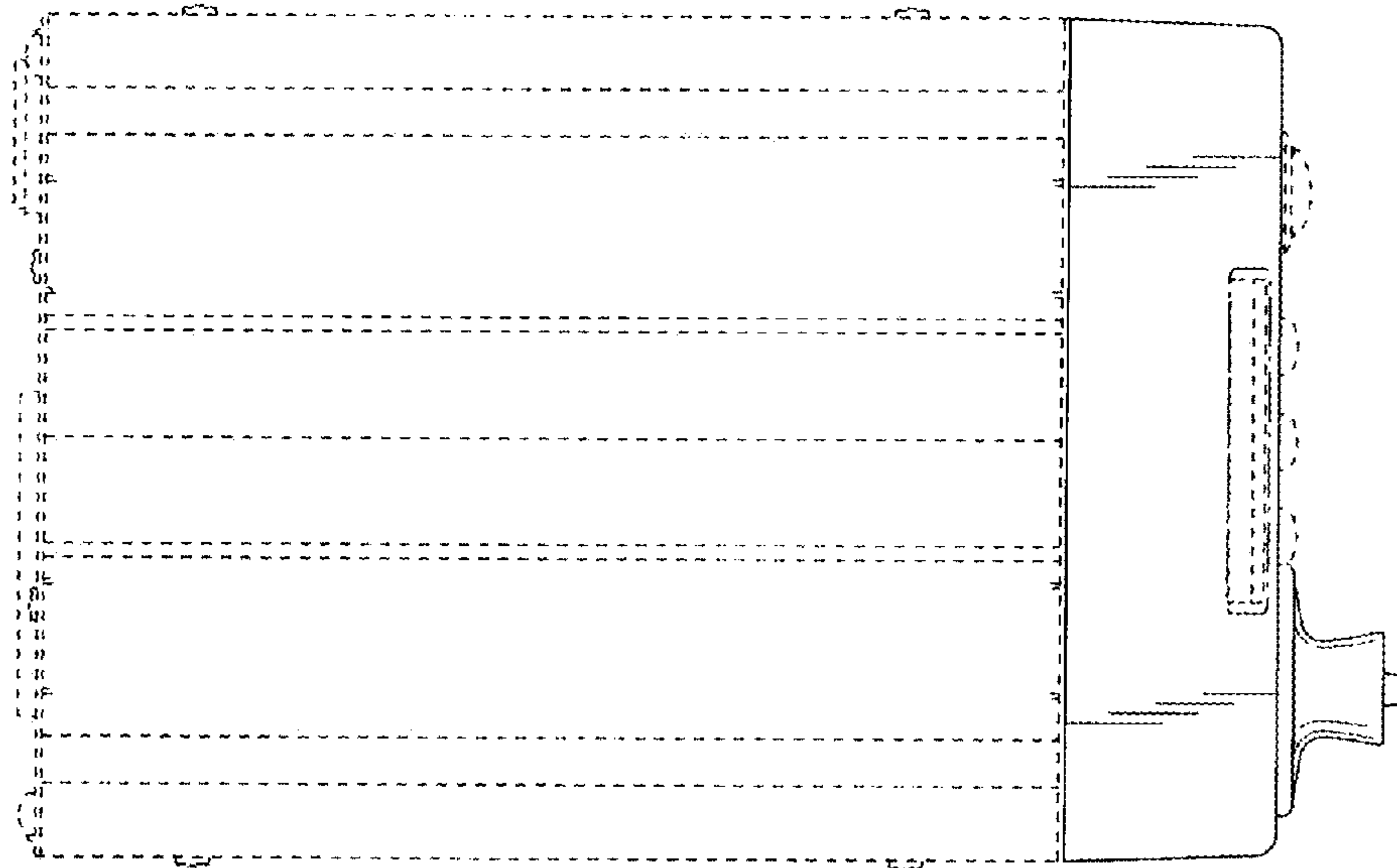


FIG. 6

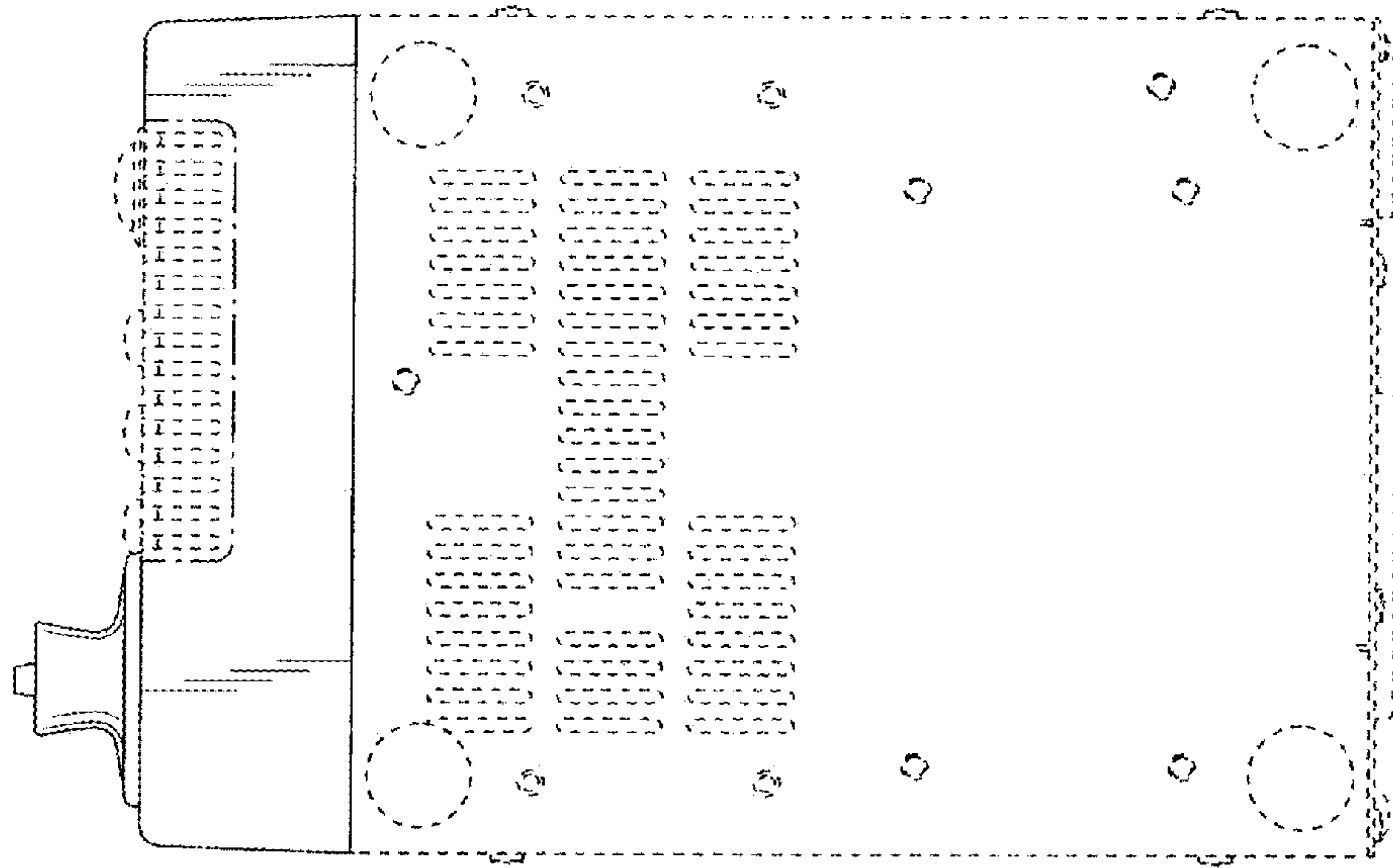


FIG. 7