



US00D762753S

(12) **United States Design Patent**  
**Lück**

(10) **Patent No.:** **US D762,753 S**  
(45) **Date of Patent:** **\*\* Aug. 2, 2016**

(54) **LINEAR ACTUATOR**

(71) Applicant: **LINAK A/S**, Nordborg (DK)

(72) Inventor: **Jens Lorenz Kjaer Lück**, Sønderborg (DK)

(73) Assignee: **Linak A/S**, Nordborg (DK)

(\*\*) Term: **14 Years**

(21) Appl. No.: **29/514,598**

(22) Filed: **Jan. 14, 2015**

(30) **Foreign Application Priority Data**

Jul. 16, 2014 (DK) ..... 2014 00068

(51) **LOC (10) Cl.** ..... **15-09**

(52) **U.S. Cl.**  
USPC ..... **D15/143**

(58) **Field of Classification Search**  
USPC ..... D13/118, 158, 162, 184; D15/1-5, 7, 9,  
D15/143, 148, 199  
See application file for complete search history.

(56) **References Cited**

**U.S. PATENT DOCUMENTS**

- 3,844,177 A \* 10/1974 Bourassa ..... B23Q 3/18  
74/89.37
- 4,712,441 A \* 12/1987 Abraham ..... F16H 25/2015  
74/412 TA
- 4,858,481 A \* 8/1989 Abraham ..... F16H 25/2015  
192/141
- D458,284 S \* 6/2002 Landerholm ..... D15/143
- 6,848,327 B2 \* 2/2005 Nagai ..... F16C 29/063  
74/89.23
- D502,477 S \* 3/2005 Beadle ..... D15/143
- D514,146 S \* 1/2006 Haneball ..... D15/143
- D523,880 S \* 6/2006 Christensen ..... D15/143
- D577,753 S \* 9/2008 Lund ..... D15/143
- 7,500,413 B2 \* 3/2009 Huang ..... B60Q 1/076  
362/467
- D589,991 S \* 4/2009 Chen ..... D15/143
- D594,487 S \* 6/2009 Lund ..... D15/143
- D595,752 S \* 7/2009 Lin ..... D15/143

- D595,753 S \* 7/2009 Tseng ..... D15/143
- D596,652 S \* 7/2009 Roither ..... D15/143
- D620,961 S \* 8/2010 Iversen ..... D15/143
- D624,101 S \* 9/2010 Tseng ..... D15/143
- D624,102 S \* 9/2010 Tseng ..... D15/143
- D632,321 S \* 2/2011 Wu ..... D15/143
- 7,935,901 B2 \* 5/2011 Sorensen ..... F16H 25/20  
200/17 R
- D646,310 S \* 10/2011 Lan ..... D15/143
- D654,524 S \* 2/2012 Iversen ..... D15/199
- D665,433 S \* 8/2012 Beam ..... D15/143
- D686,257 S \* 7/2013 Wu ..... D15/143
- D686,260 S \* 7/2013 Wu ..... D15/143
- D686,648 S \* 7/2013 Wu ..... D15/143
- 8,534,147 B2 \* 9/2013 Roither ..... A47C 20/041  
74/89.33
- 8,544,353 B2 \* 10/2013 Beneker ..... B60N 2/067  
74/508
- D696,704 S \* 12/2013 Battistella ..... D15/143
- 2005/0264109 A1 \* 12/2005 Abrahamsen ..... F16H 25/20  
310/20
- 2014/0013878 A1 \* 1/2014 Kollreider ..... A47B 9/04  
74/89.35

**FOREIGN PATENT DOCUMENTS**

EP 0531247 3/1995

\* cited by examiner

*Primary Examiner* — Patricia Palasik

(74) *Attorney, Agent, or Firm* — Dykema Gossett PLLC

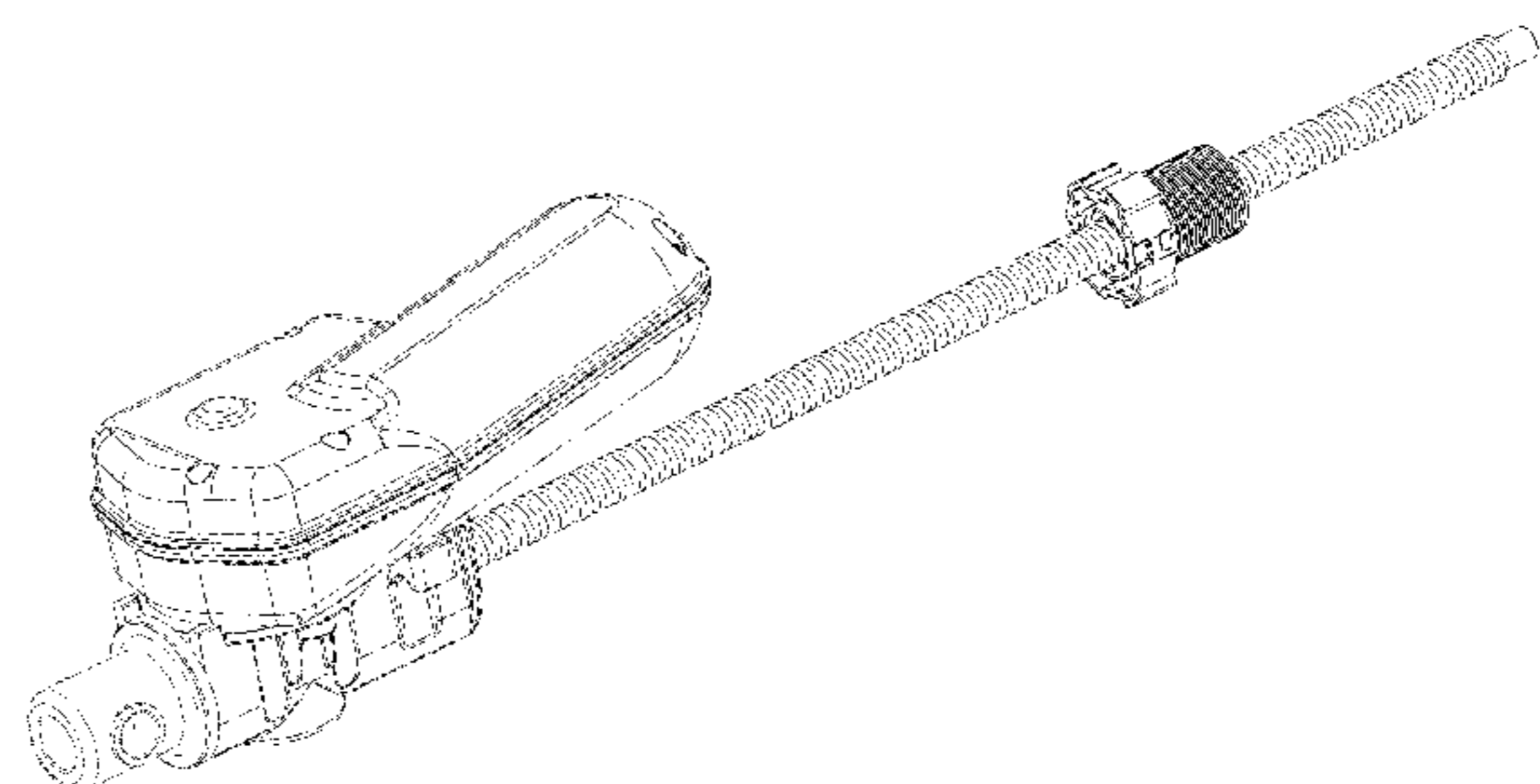
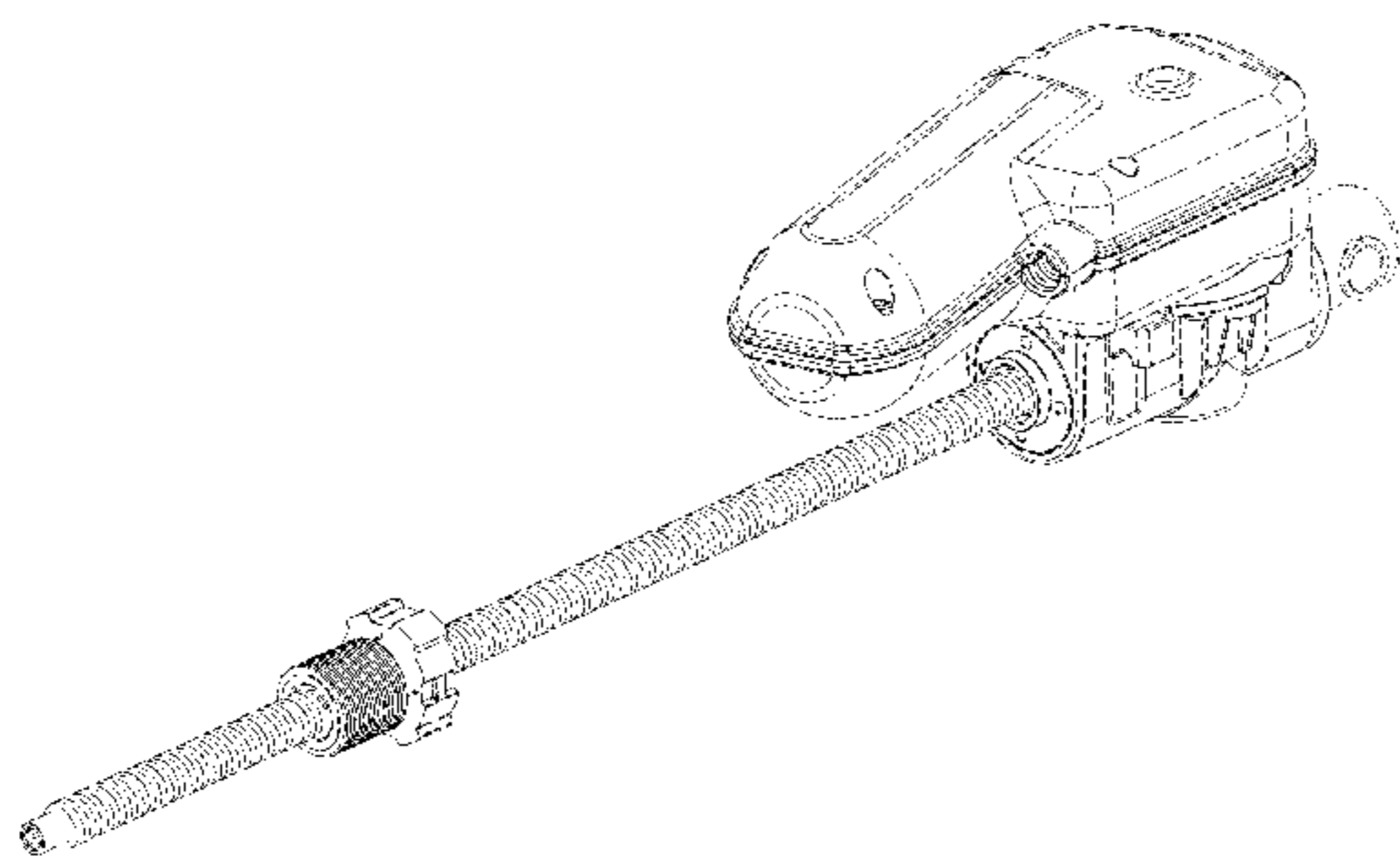
(57) **CLAIM**

The ornamental design for a linear actuator, as shown and described.

**DESCRIPTION**

FIG. 1 is a first perspective view of a linear actuator showing my new and ornamental design,  
FIG. 2 is a second perspective view thereof,  
FIG. 3 is a front view thereof,  
FIG. 4 is a first side view thereof,  
FIG. 5 is a rear view thereof,  
FIG. 6 is a second, opposite side view thereof,  
FIG. 7 is a first end view thereof; and,  
FIG. 8 is a second, opposite end view thereof.

**1 Claim, 4 Drawing Sheets**



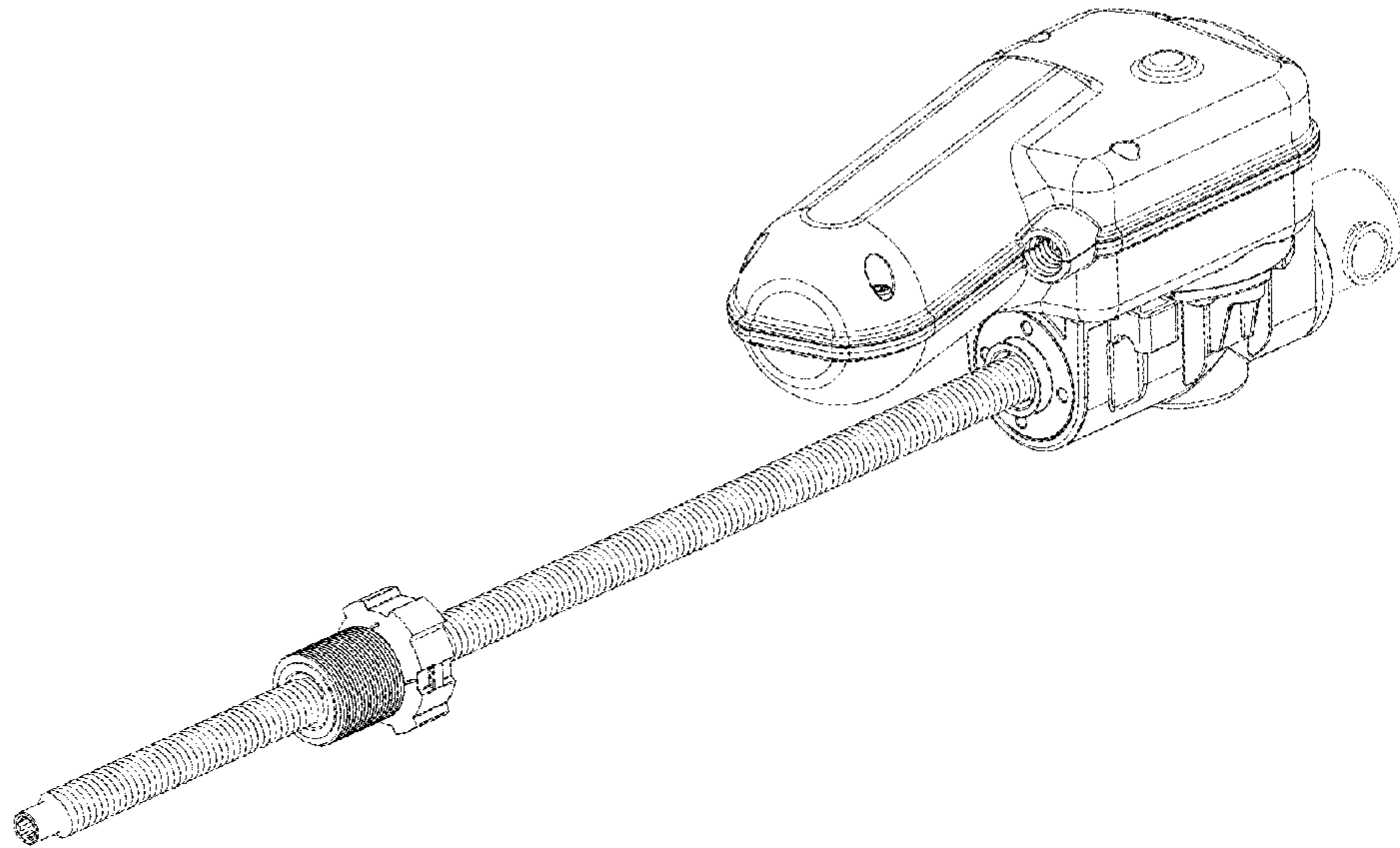


Fig. 1

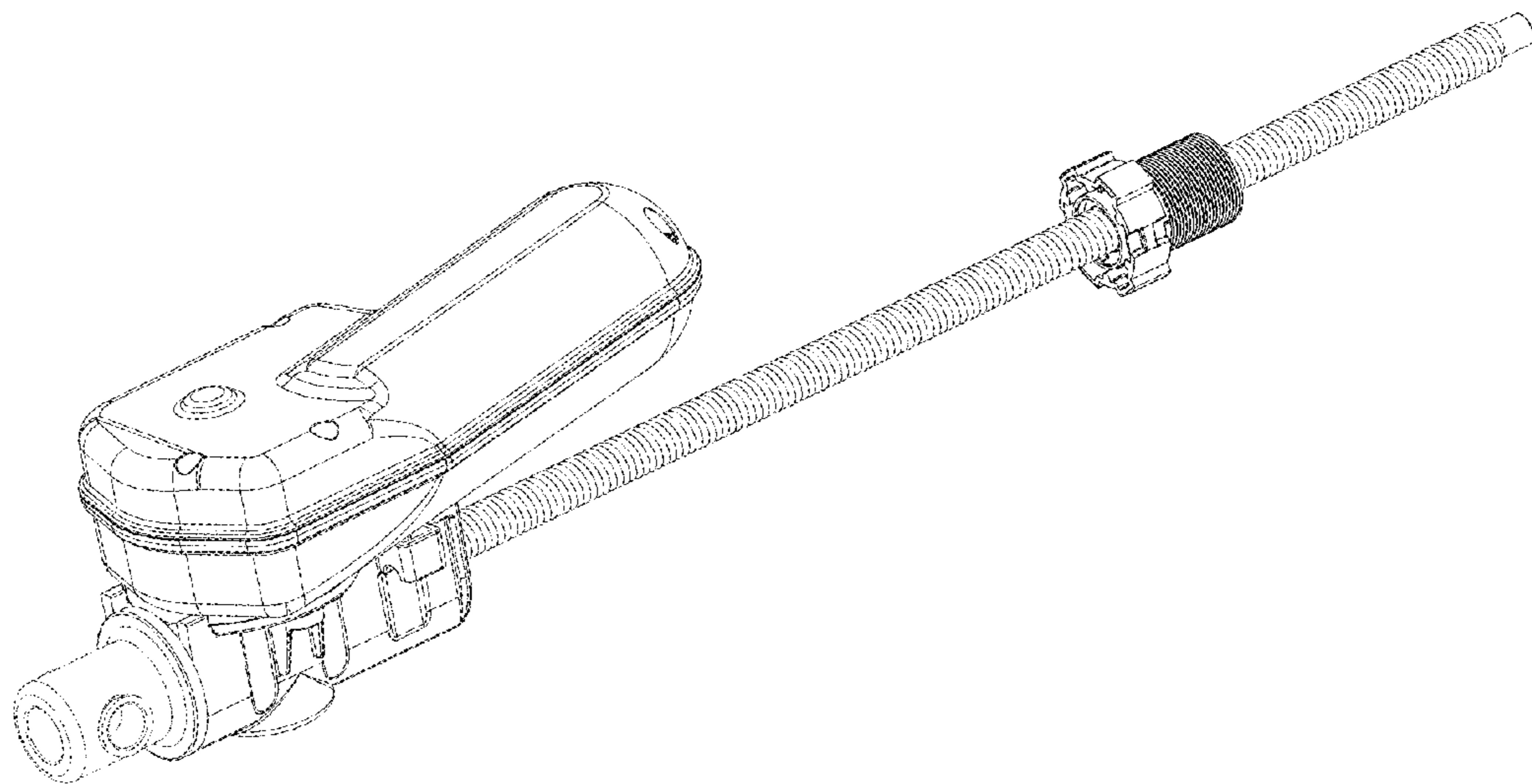


Fig. 2

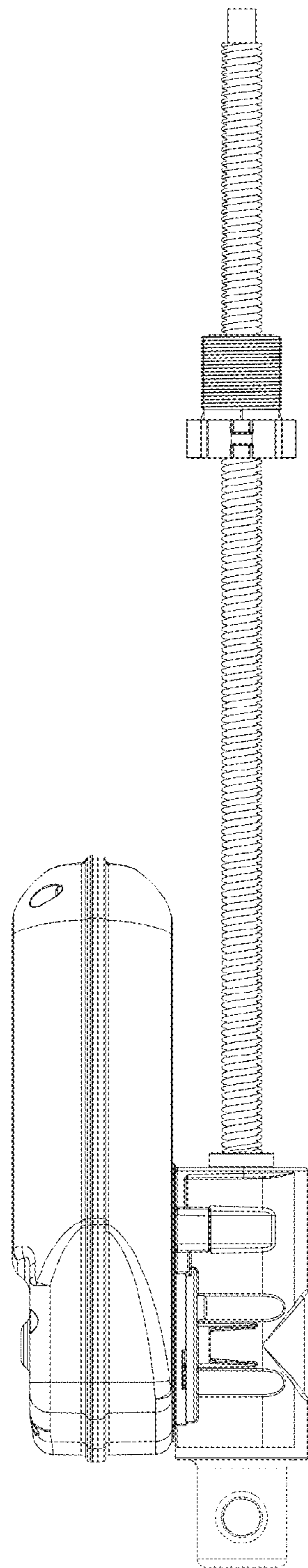


Fig. 4

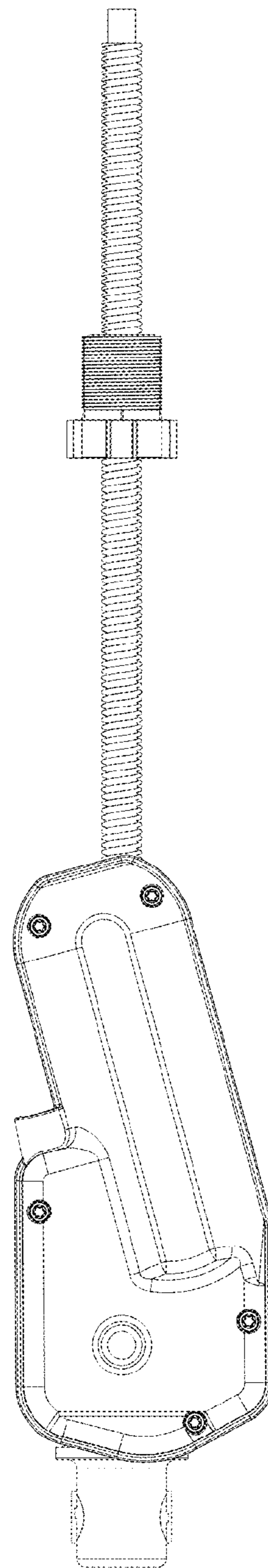


Fig. 3



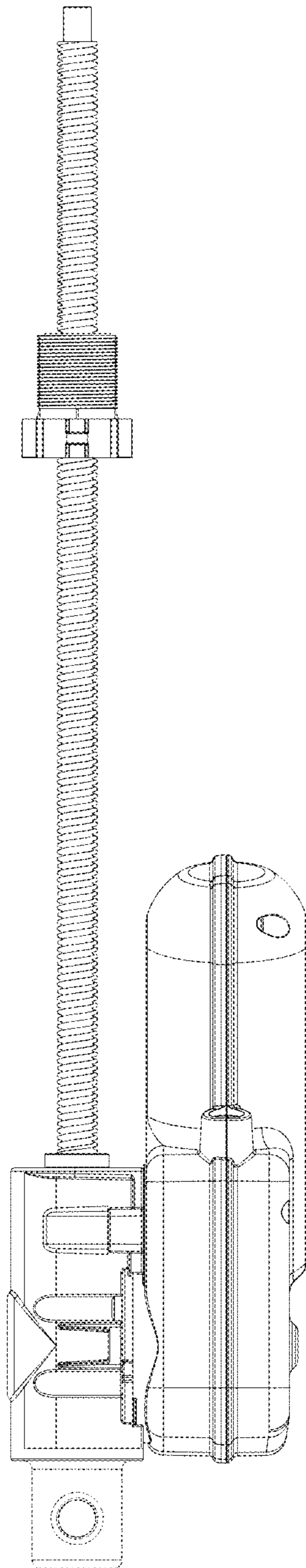


Fig. 6

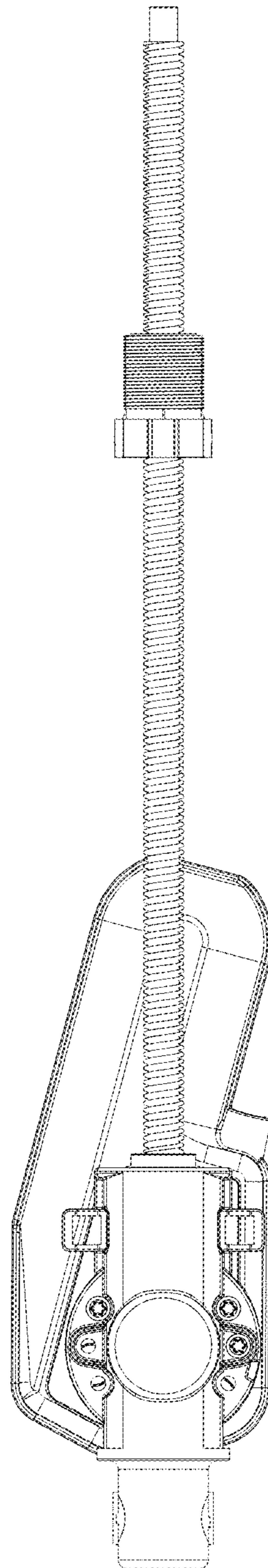


Fig. 5

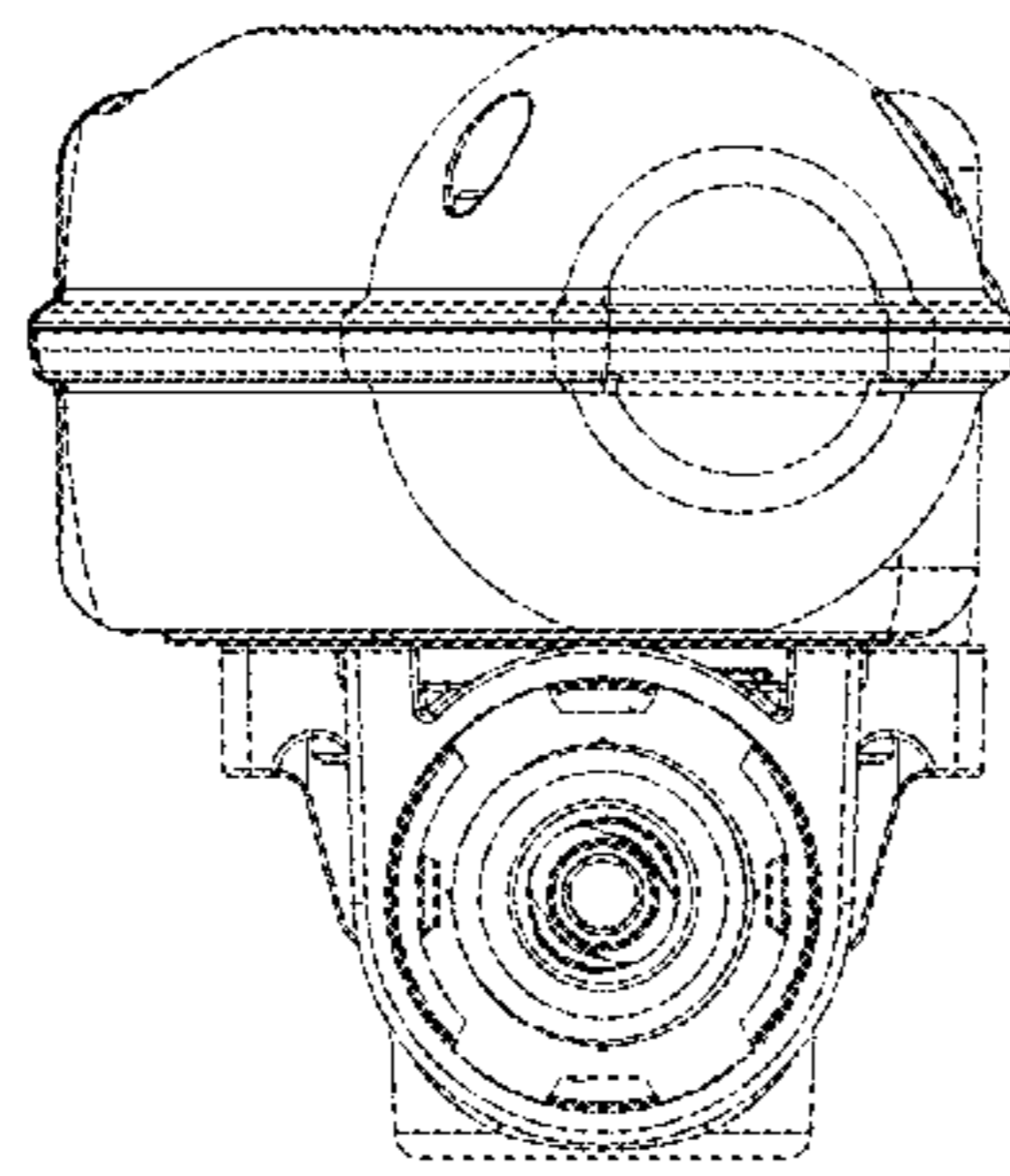


Fig. 7

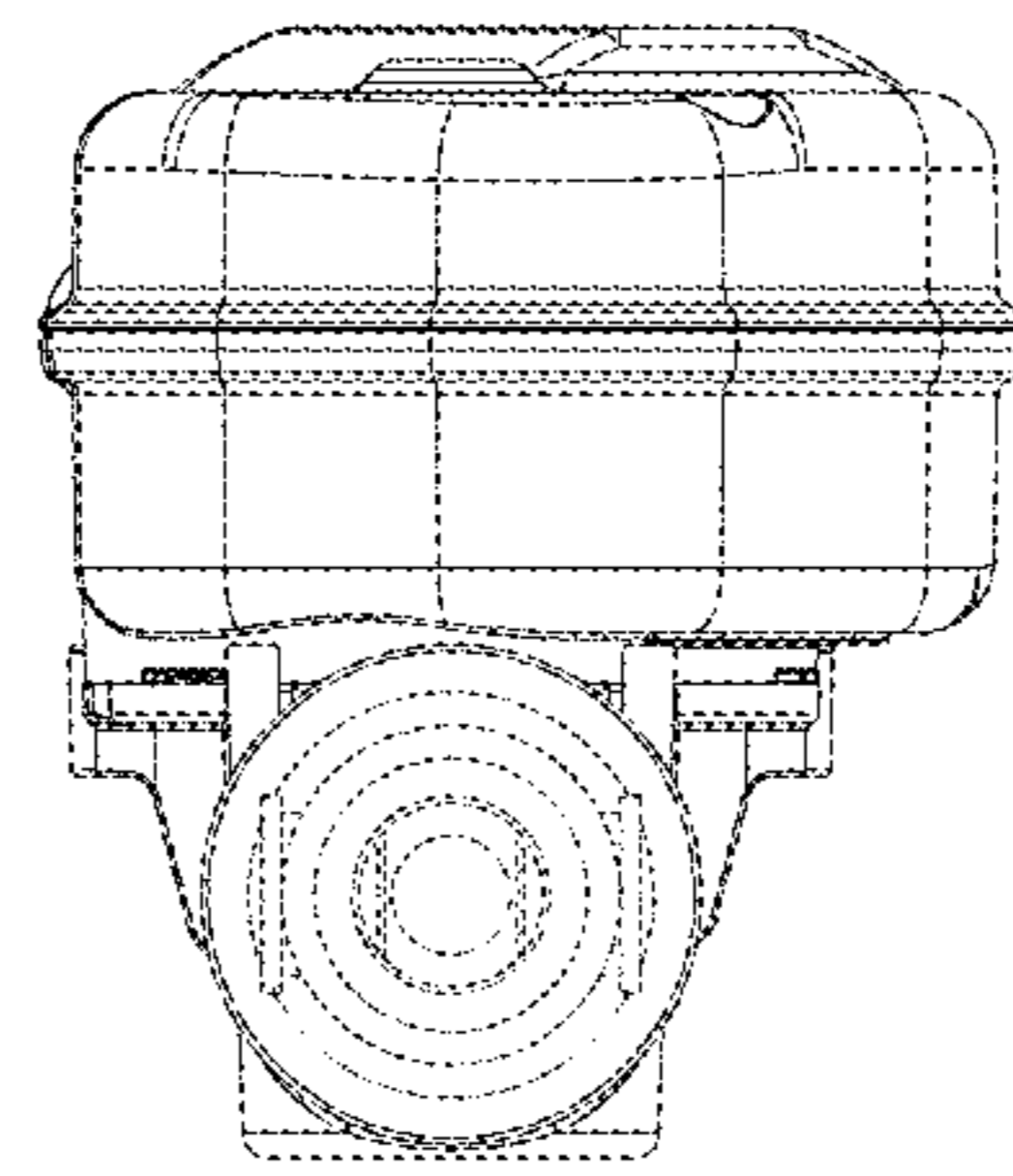


Fig. 8

UNITED STATES PATENT AND TRADEMARK OFFICE  
**CERTIFICATE OF CORRECTION**

PATENT NO. : D762,753 S  
APPLICATION NO. : 29/514598  
DATED : August 2, 2016  
INVENTOR(S) : Jens Lorenz Kjaer Lück

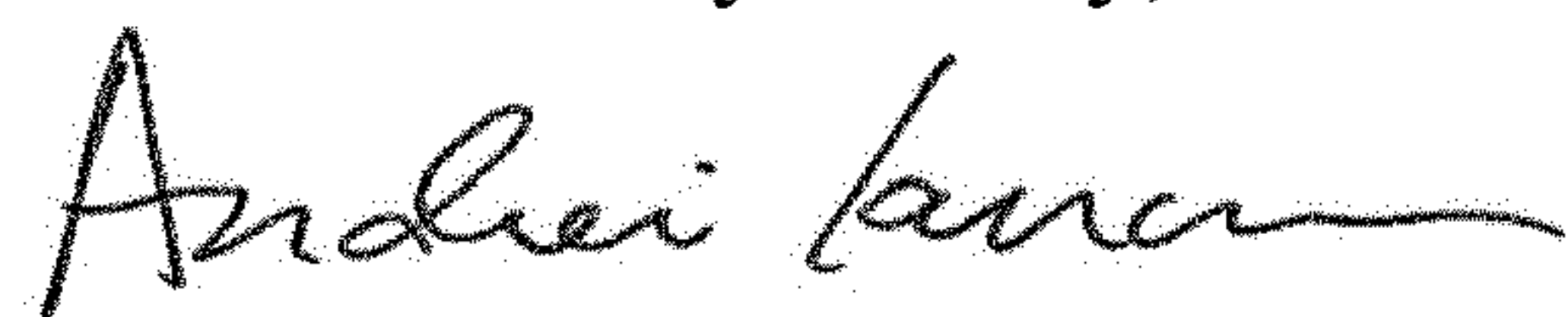
Page 1 of 6

It is certified that error appears in the above-identified patent and that said Letters Patent is hereby corrected as shown below:

Delete title page and replace with the attached title page consisting of the corrected illustrative figures.

Replace Figs. 1-8 with Figs. 1-8 attached hereto.

Signed and Sealed this  
Seventh Day of May, 2019



Andrei Iancu  
*Director of the United States Patent and Trademark Office*

(12) **United States Design Patent**  
**Lück**

(10) **Patent No.:** **US D762,753 S**  
(45) **Date of Patent:** **\*\* Aug. 2, 2016**

(54) **LINEAR ACTUATOR**  
(71) Applicant: **LINAK A/S, Nordborg (DK)**  
(72) Inventor: **Jens Lorenz Kjaer Lück, Sønderborg (DK)**  
(73) Assignee: **Linak A/S, Nordborg (DK)**  
(\*\*) Term: **14 Years**  
(21) Appl. No.: **29/514,598**  
(22) Filed: **Jan. 14, 2015**  
(30) **Foreign Application Priority Data**  
Jul. 16, 2014 (DK) ..... 2014 00068  
(51) **LOC (10) CL** ..... **15-09**  
(52) **U.S. CL**  
USPC ..... **D15/143**  
(58) **Field of Classification Search**  
USPC ..... D13/118, 158, 162, 184; D15/1-5, 7, 9,  
D15/143, 148, 199  
See application file for complete search history.

(56) **References Cited**  
**U.S. PATENT DOCUMENTS**  
3,844,177 A \* 10/1974 Bourassa ..... B23Q 3/18  
74/89.37  
4,712,441 A \* 12/1987 Abraham ..... F16H 25/2015  
74/412 1A  
4,858,481 A \* 8/1989 Abraham ..... F16H 25/2015  
192/141  
D458,284 S \* 6/2002 Landerholm ..... D15/143  
6,848,327 B2 \* 2/2005 Nagai ..... F16C 29/063  
74/89.23  
D502,477 S \* 3/2005 Beadle ..... D15/143  
D514,146 S \* 1/2006 Hanchball ..... D15/143  
D523,880 S \* 6/2006 Christensen ..... D15/143  
D577,753 S \* 9/2008 Lund ..... D15/143  
7,500,413 B2 \* 3/2009 Huang ..... B60Q 1/076  
362/467  
D589,991 S \* 4/2009 Chen ..... D15/143  
D594,487 S \* 6/2009 Lund ..... D15/143  
D595,752 S \* 7/2009 Lin ..... D15/143

D595,753 S \* 7/2009 Tseng ..... D15/143  
D596,652 S \* 7/2009 Roither ..... D15/143  
D620,961 S \* 8/2010 Iversen ..... D15/143  
D624,101 S \* 9/2010 Tseng ..... D15/143  
D624,102 S \* 9/2010 Tseng ..... D15/143  
D632,321 S \* 2/2011 Wu ..... D15/143  
7,935,901 B2 \* 5/2011 Sorensen ..... F16H 25/20  
200/17 R  
D646,310 S \* 10/2011 Lan ..... D15/143  
D654,524 S \* 2/2012 Iversen ..... D15/199  
D665,433 S \* 8/2012 Beam ..... D15/143  
D686,257 S \* 7/2013 Wu ..... D15/143  
D686,260 S \* 7/2013 Wu ..... D15/143  
D686,648 S \* 7/2013 Wu ..... D15/143  
8,534,147 B2 \* 9/2013 Roither ..... A47C 20/041  
74/89.33  
8,544,353 B2 \* 10/2013 Bencker ..... B60N 2/067  
74/508  
D696,704 S \* 12/2013 Battistella ..... D15/143  
2005/0264109 A1 \* 12/2005 Abrahamsen ..... F16H 25/20  
310/20  
2014/0013878 A1 \* 1/2014 Kollreider ..... A47B 9/04  
74/89.35

**FOREIGN PATENT DOCUMENTS**

EP 0531247 3/1995

\* cited by examiner

*Primary Examiner* — Patricia Palasik

(74) *Attorney, Agent, or Firm* — Dykema Gossett PLLC

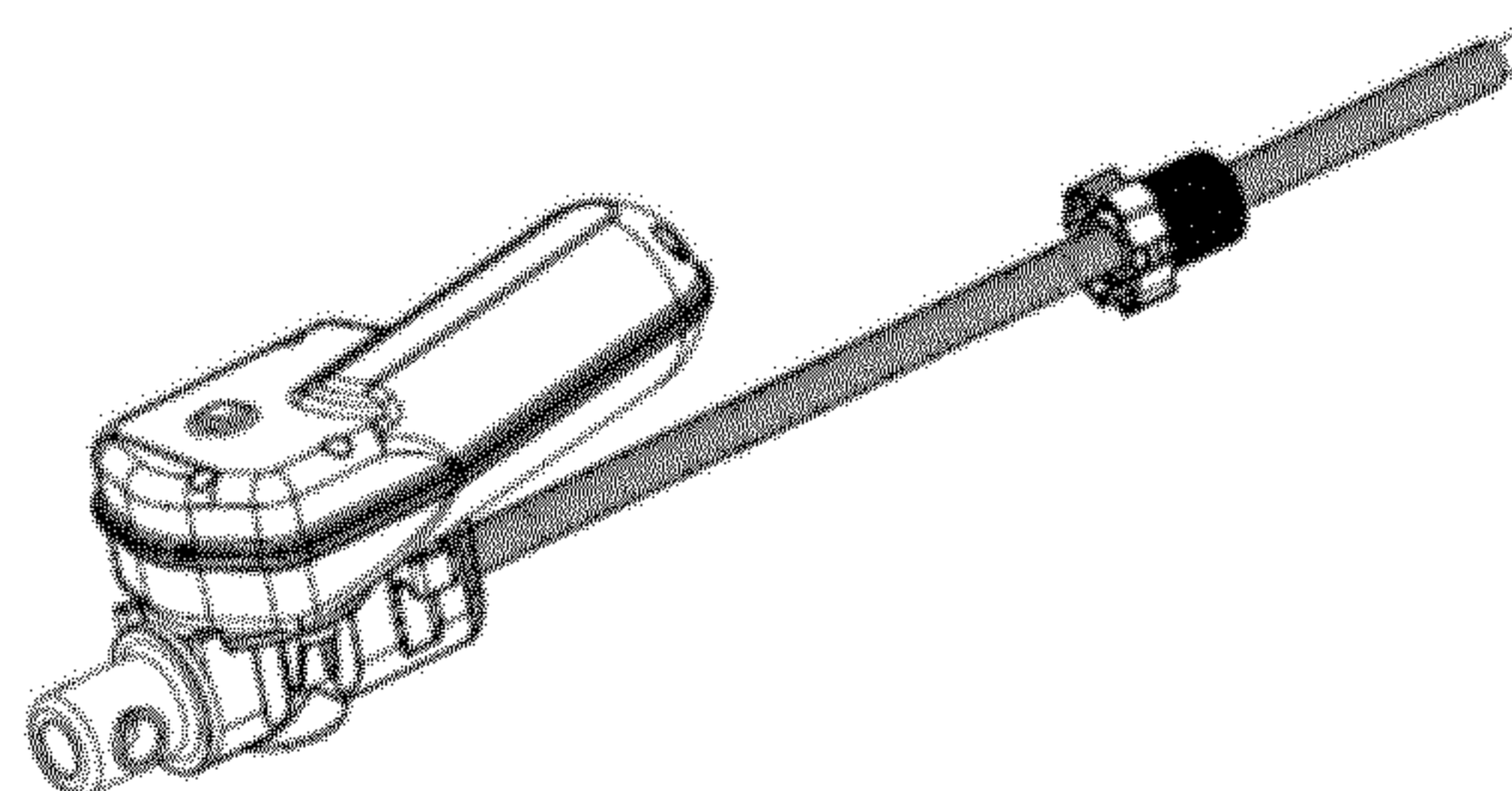
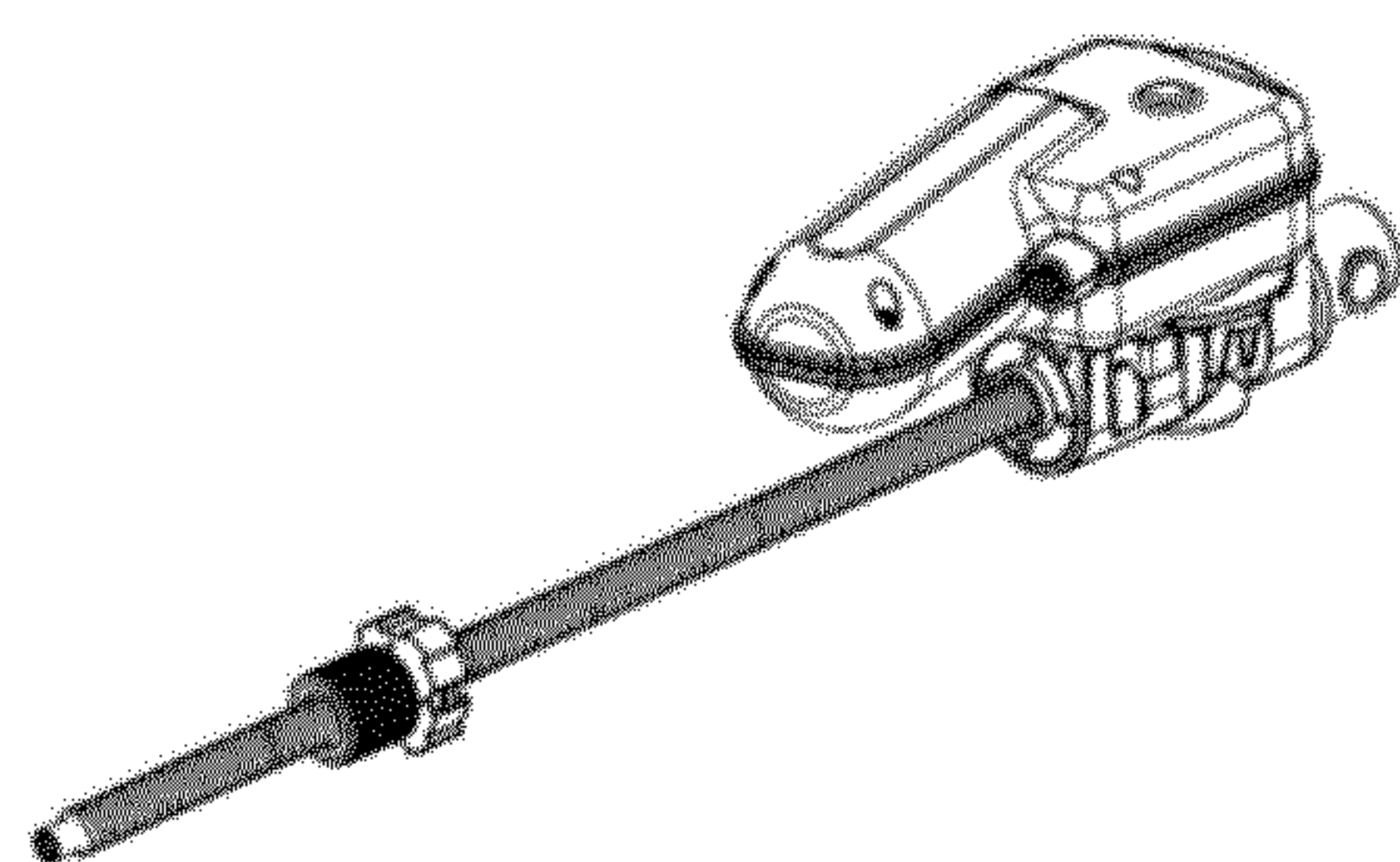
(57) **CLAIM**

The ornamental design for a linear actuator, as shown and described.

**DESCRIPTION**

FIG. 1 is a first perspective view of a linear actuator showing my new and ornamental design, FIG. 2 is a second perspective view thereof, FIG. 3 is a front view thereof, FIG. 4 is a first side view thereof, FIG. 5 is a rear view thereof, FIG. 6 is a second, opposite side view thereof, FIG. 7 is a first end view thereof; and, FIG. 8 is a second, opposite end view thereof.

**1 Claim, 4 Drawing Sheets**





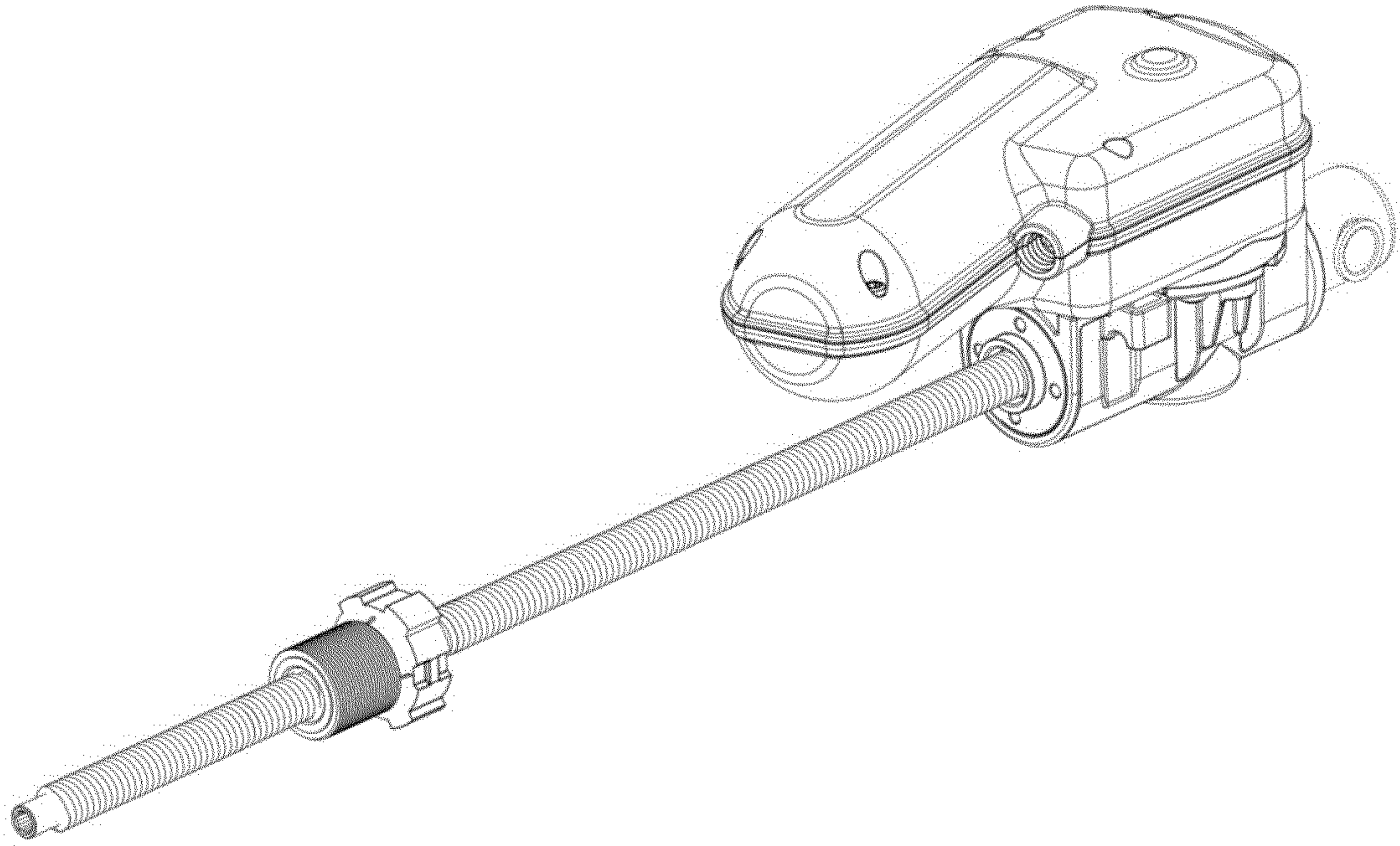


Fig. 1

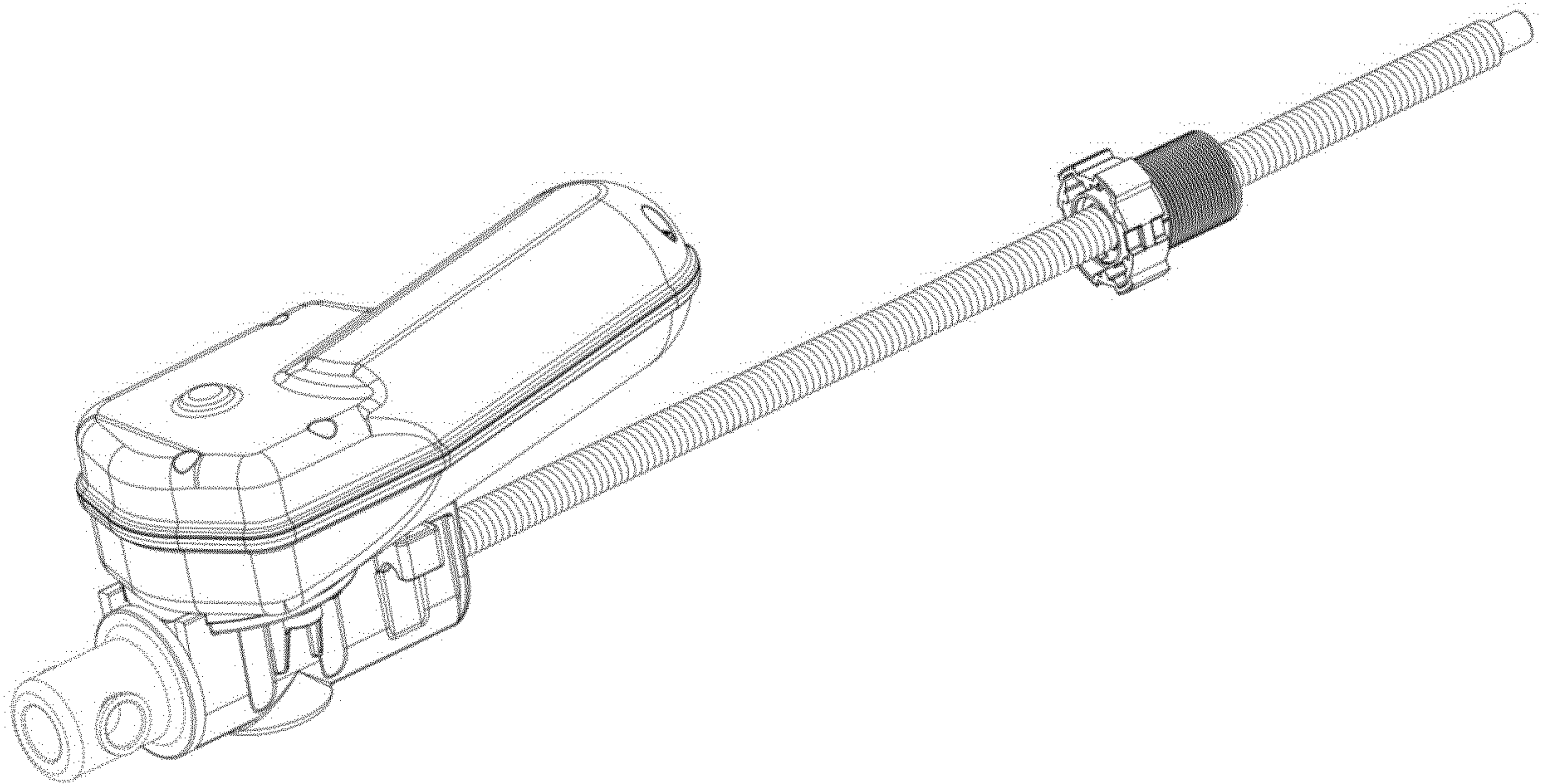


Fig. 2



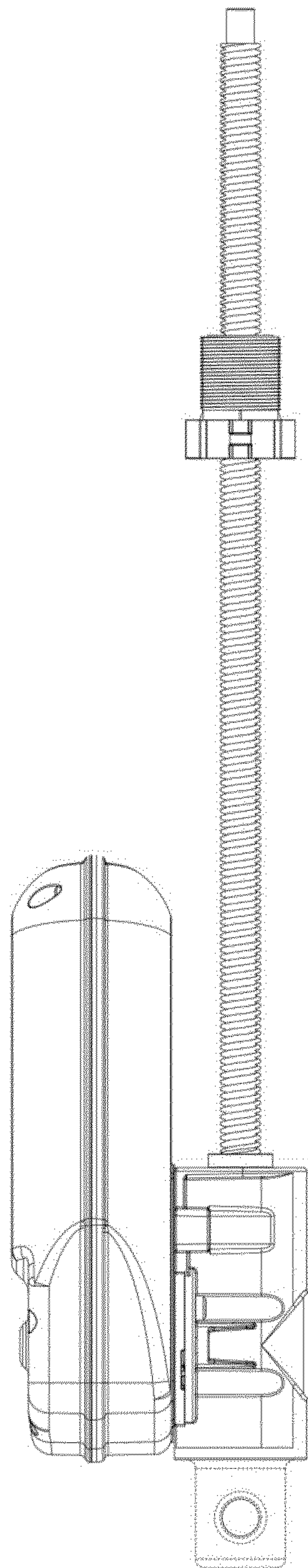


Fig. 4

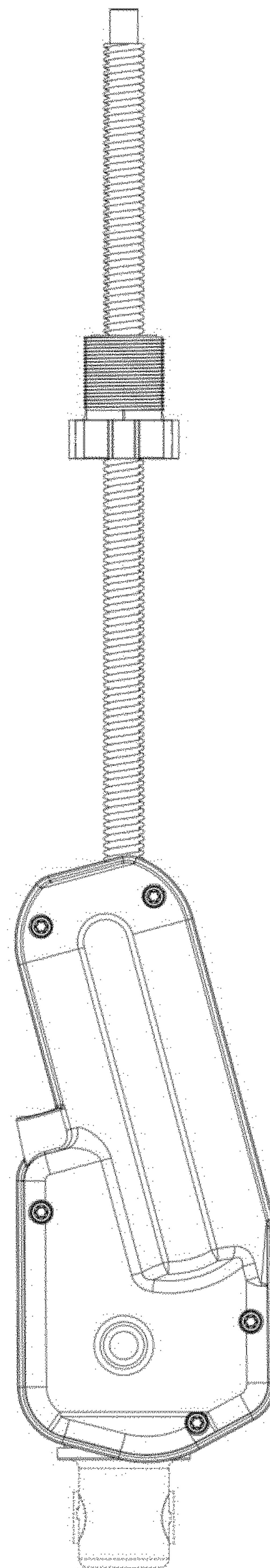


Fig. 3

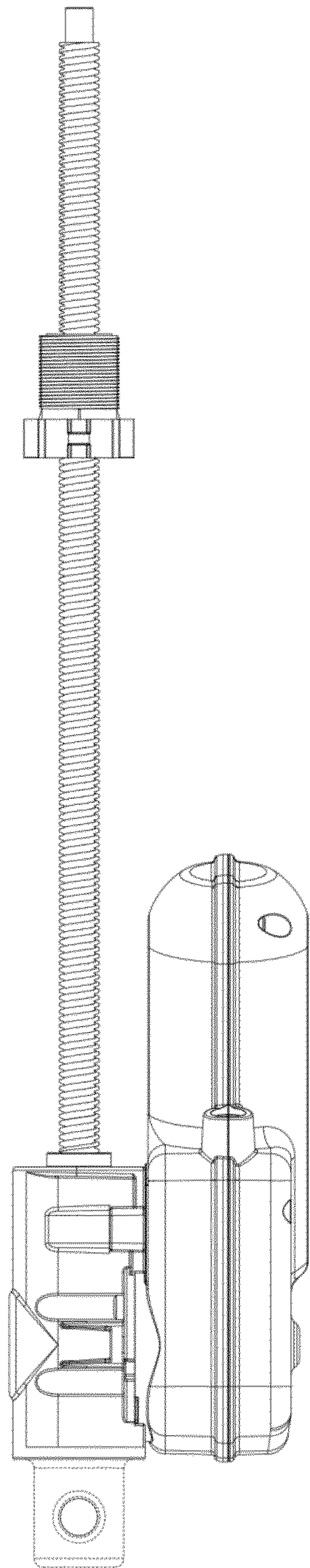


Fig. 6

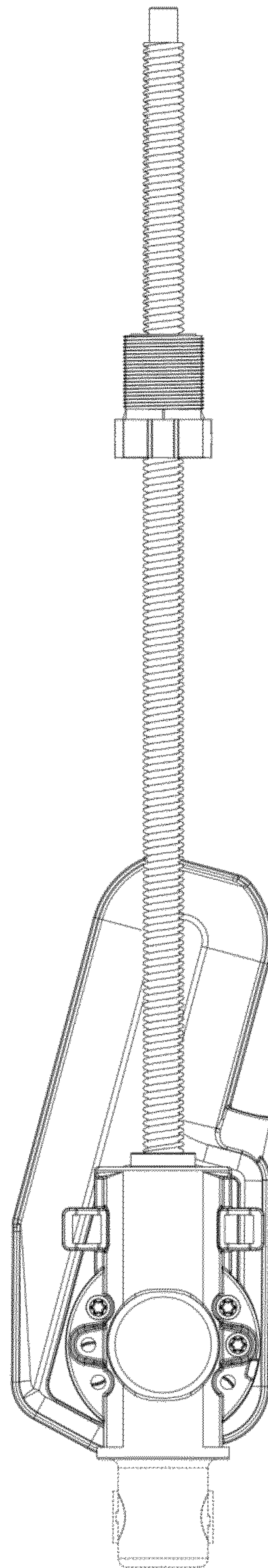


Fig. 5

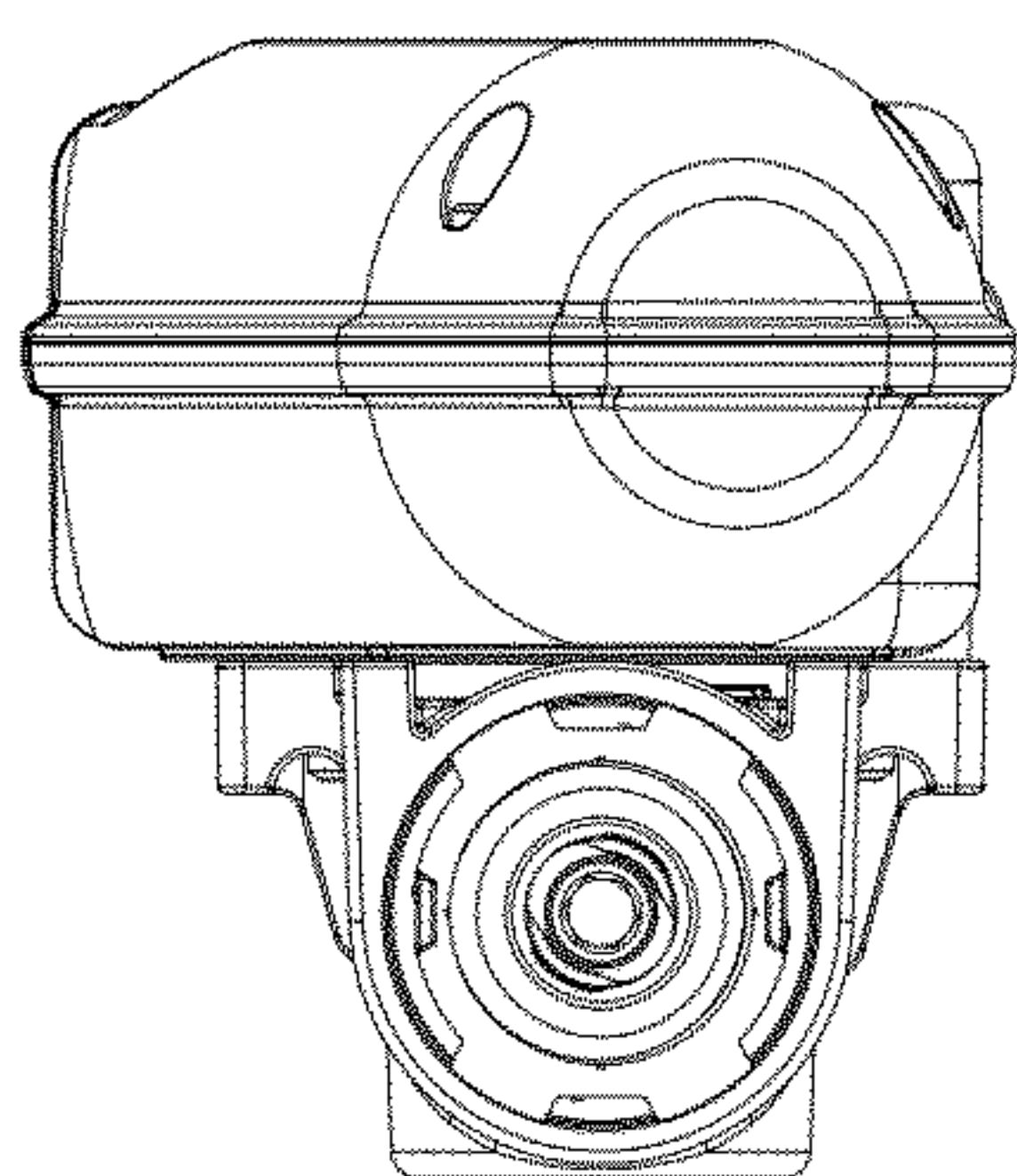


Fig. 7

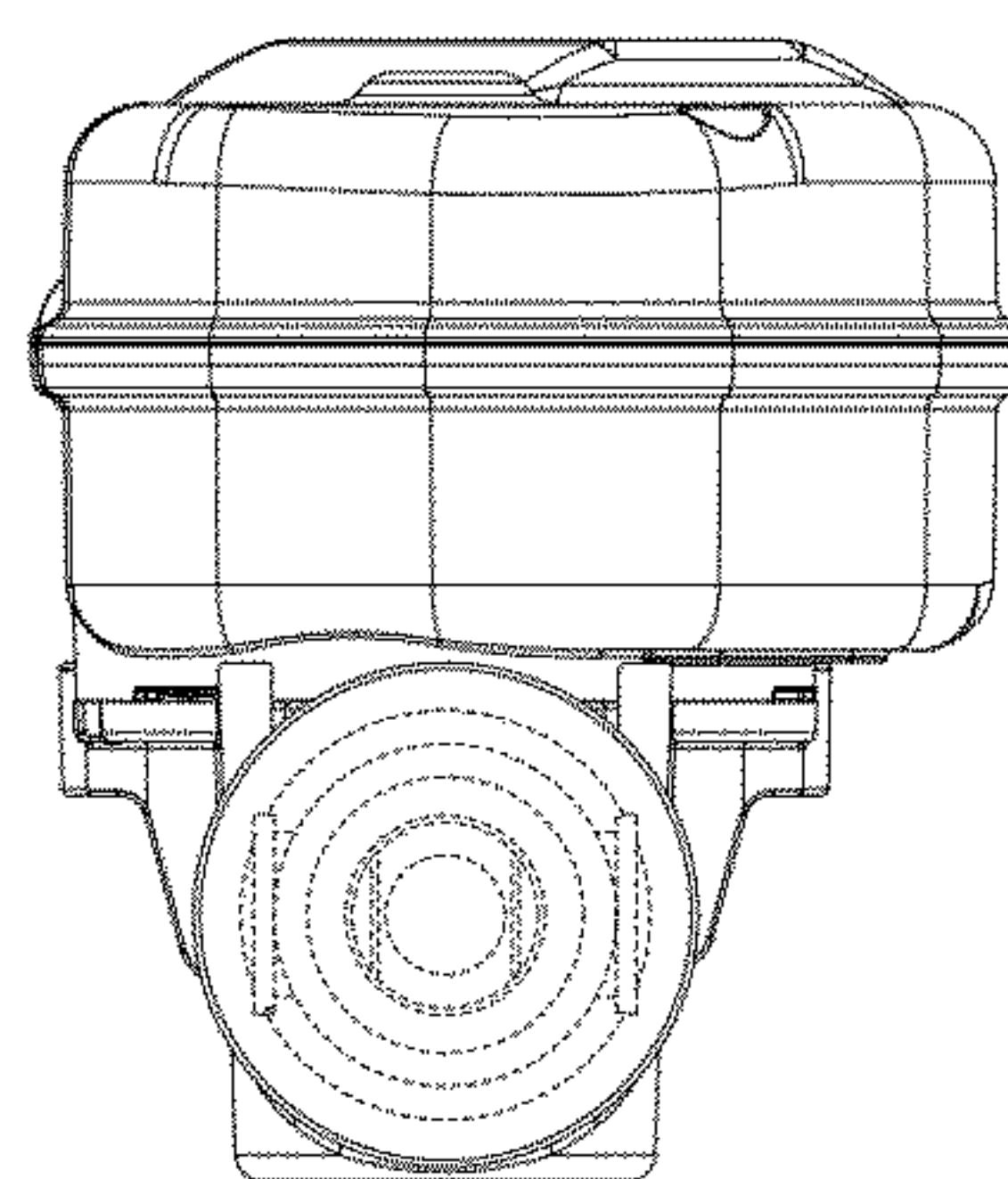


Fig. 8