

US00D762752S

(12) **United States Design Patent**  
**Mortimer et al.**

(10) **Patent No.:** **US D762,752 S**  
(45) **Date of Patent:** **\*\* Aug. 2, 2016**

- (54) **NOZZLE**
- (71) Applicant: **E3D-online Ltd**, Isle of Wight (GB)
- (72) Inventors: **Sanjay Mortimer**, Isle of Wight (GB);  
**Joshua Rowley**, Isle of Wight (GB);  
**David Lamb**, Isle of Wight (GB)
- (73) Assignee: **E3D-ONLINE LTD**, Isle of Wright  
(GB)
- (\*\*) Term: **15 Years**
- (21) Appl. No.: **29/528,836**
- (22) Filed: **Jun. 1, 2015**
- (51) **LOC (10) Cl.** ..... **15-09**
- (52) **U.S. Cl.**  
USPC ..... **D15/138**
- (58) **Field of Classification Search**  
USPC ..... D15/122, 138, 144, 144.1, 144.2;  
D23/213, 226  
See application file for complete search history.

D519,536 S *	4/2006	de Leeuw	.....	D15/144
7,296,706 B2 *	11/2007	Raterman	.....	B05C 5/027 222/1
7,414,532 B2 *	8/2008	Goehlert	.....	B05C 11/1034 222/1
D577,046 S *	9/2008	Ganzer	.....	D15/144.1
7,559,487 B2 *	7/2009	Gressett, Jr.	.....	B05B 7/0861 239/1
8,132,698 B2 *	3/2012	Raterman	.....	B05C 5/027 137/884
D667,530 S *	9/2012	Wyne	.....	D23/213
D673,594 S *	1/2013	Ganzer	.....	D15/144.1
D736,556 S *	8/2015	Read	.....	D7/368
D739,441 S *	9/2015	Harkness	.....	D15/7
D748,224 S *	1/2016	Holmes	.....	D23/214

\* cited by examiner

*Primary Examiner* — Patricia Palasik  
(74) *Attorney, Agent, or Firm* — Sheridan Ross P.C.

(57) **CLAIM**  
The ornamental design for a nozzle, as shown and described.

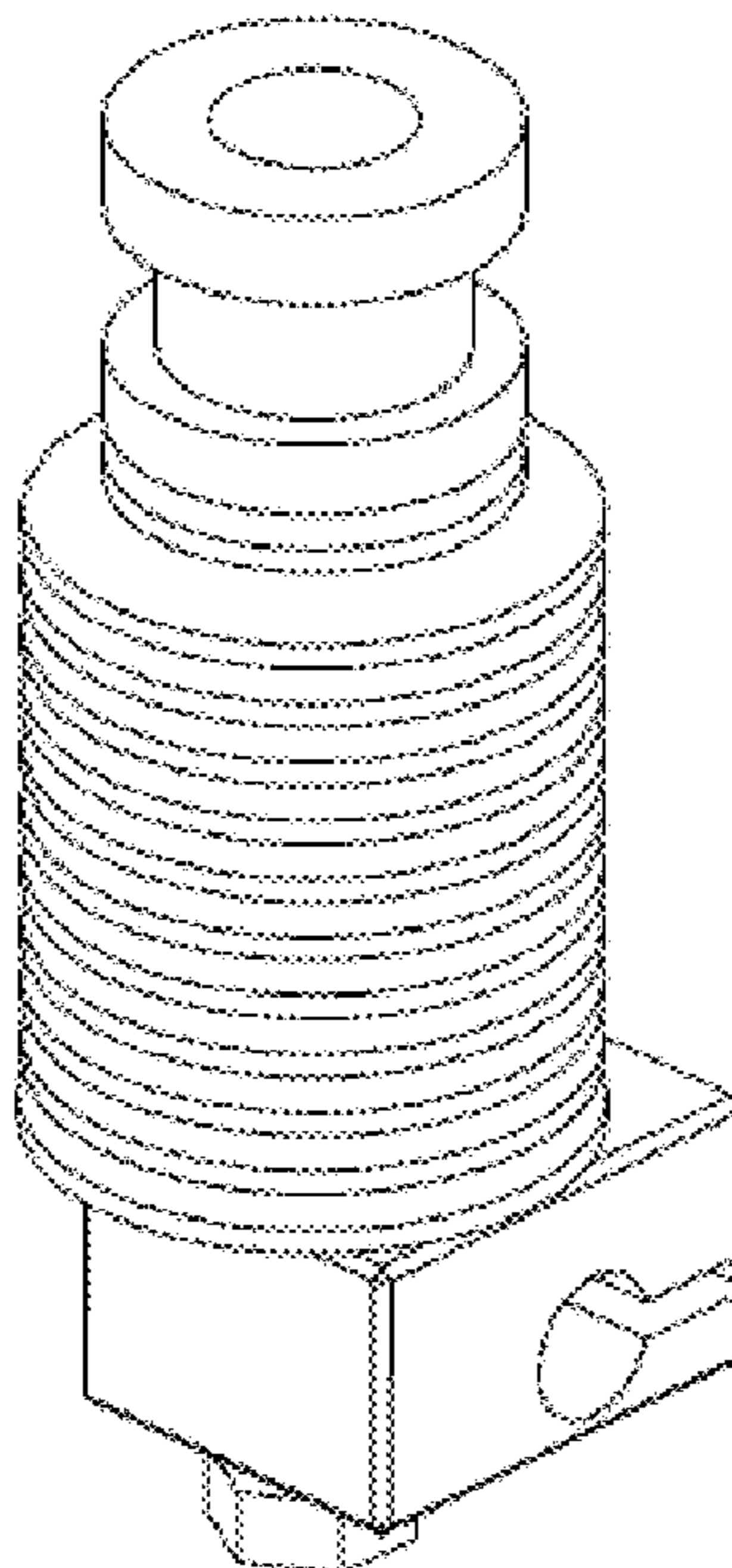
**DESCRIPTION**

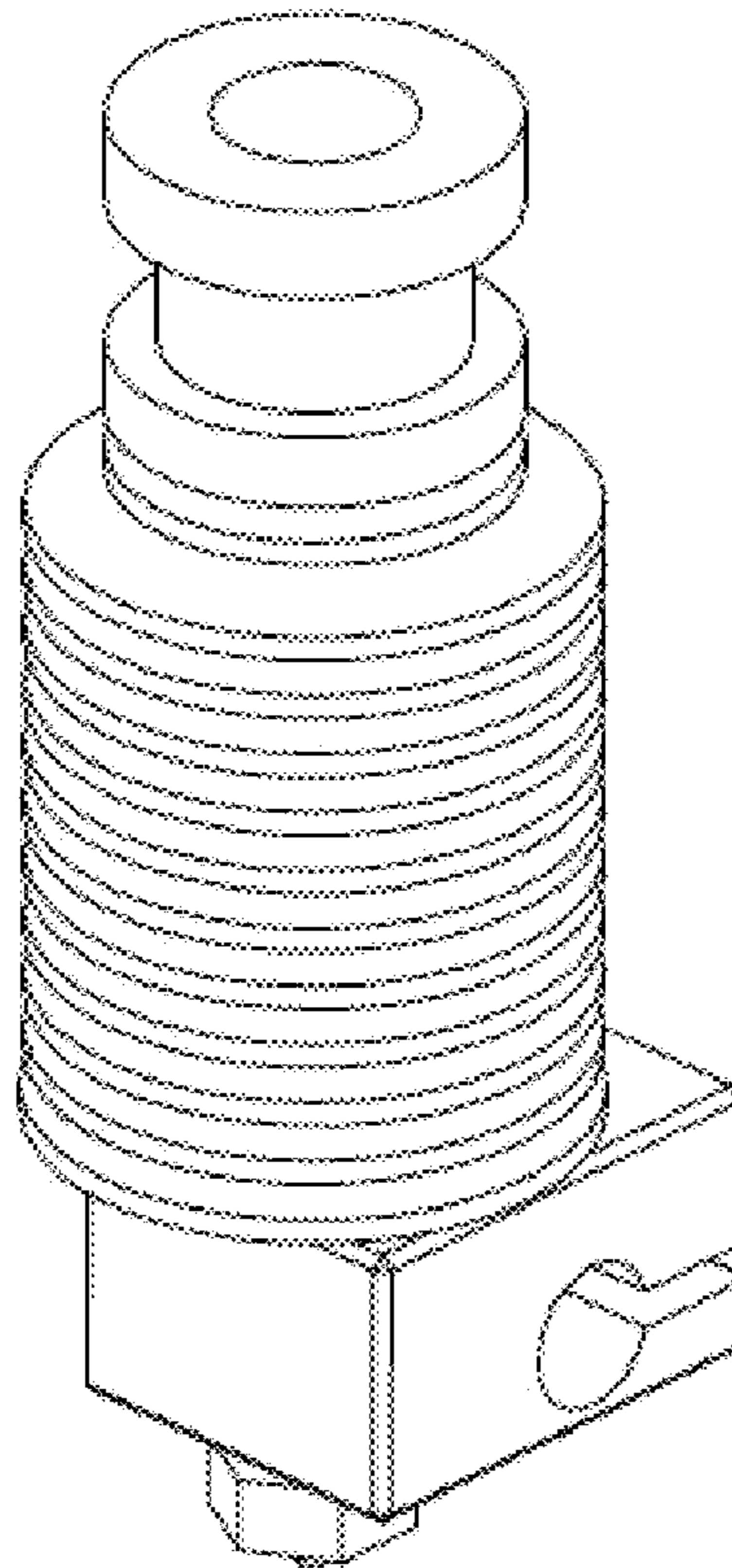
FIG. 1 is a perspective view of the nozzle showing the new design;  
FIG. 2 is a left elevation view thereof;  
FIG. 3 is a right elevation view thereof;  
FIG. 4 is a front elevation view thereof;  
FIG. 5 is a rear elevation view thereof;  
FIG. 6 is a bottom plan view thereof;  
FIG. 7 is a top plan view thereof; and,  
FIG. 8 is a front elevation view thereof showing tubes inter-connected thereto.  
The broken lines in the drawings depict unclaimed environmental subject matter.

**1 Claim, 5 Drawing Sheets**

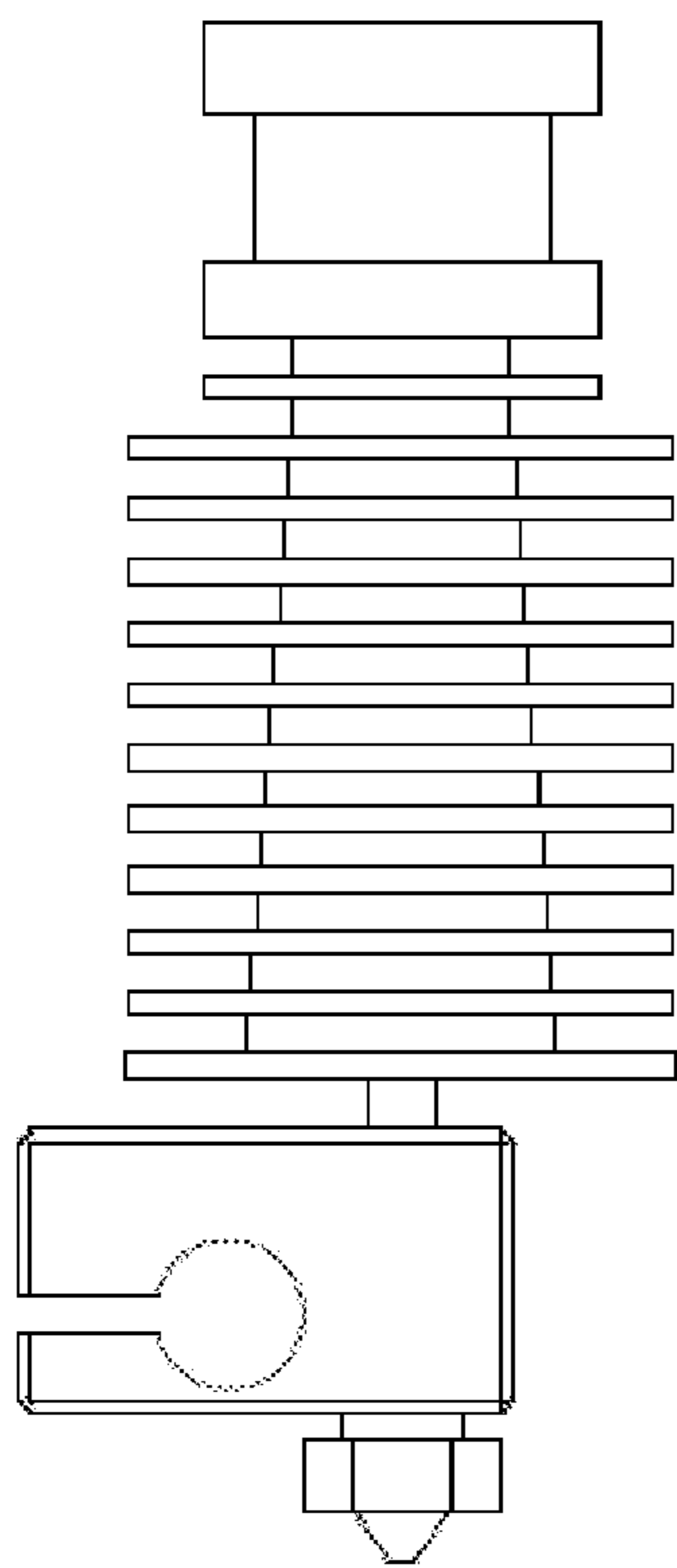
(56) **References Cited**  
U.S. PATENT DOCUMENTS

D256,720 S *	9/1980	Watson	.....	D23/213
D263,711 S *	4/1982	Dean	.....	239/533.3
D281,250 S *	11/1985	Johnson	.....	D15/144
D341,418 S *	11/1993	Akimoto	.....	D23/213
D346,020 S *	4/1994	Kellogg	.....	D23/387
D429,263 S *	8/2000	Auber	.....	D15/144.2
6,123,302 A *	9/2000	Taylor	.....	B05B 15/061 222/105
D433,692 S *	11/2000	Fort	.....	D15/144.1
6,435,425 B1 *	8/2002	Saidman	.....	B05B 7/0861 239/290

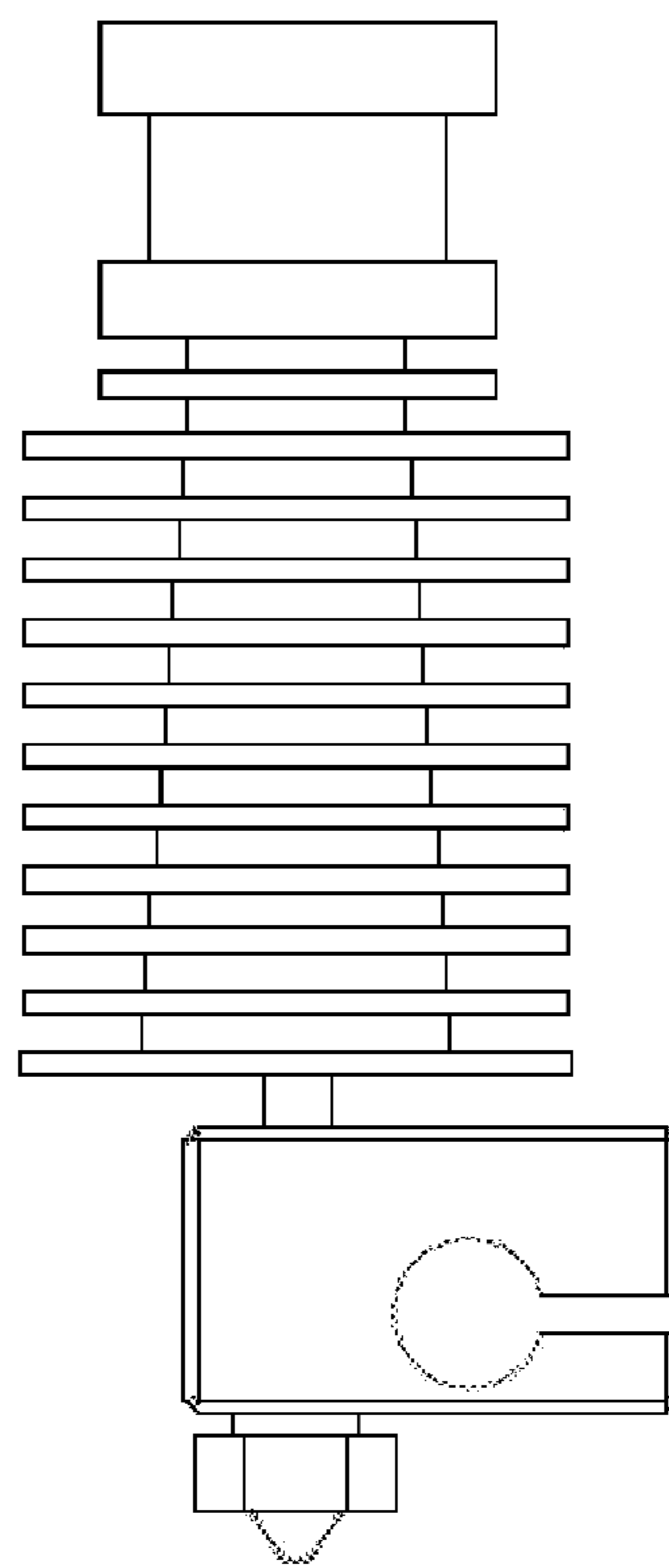




**FIG. 1**



**FIG. 2**



**FIG. 3**

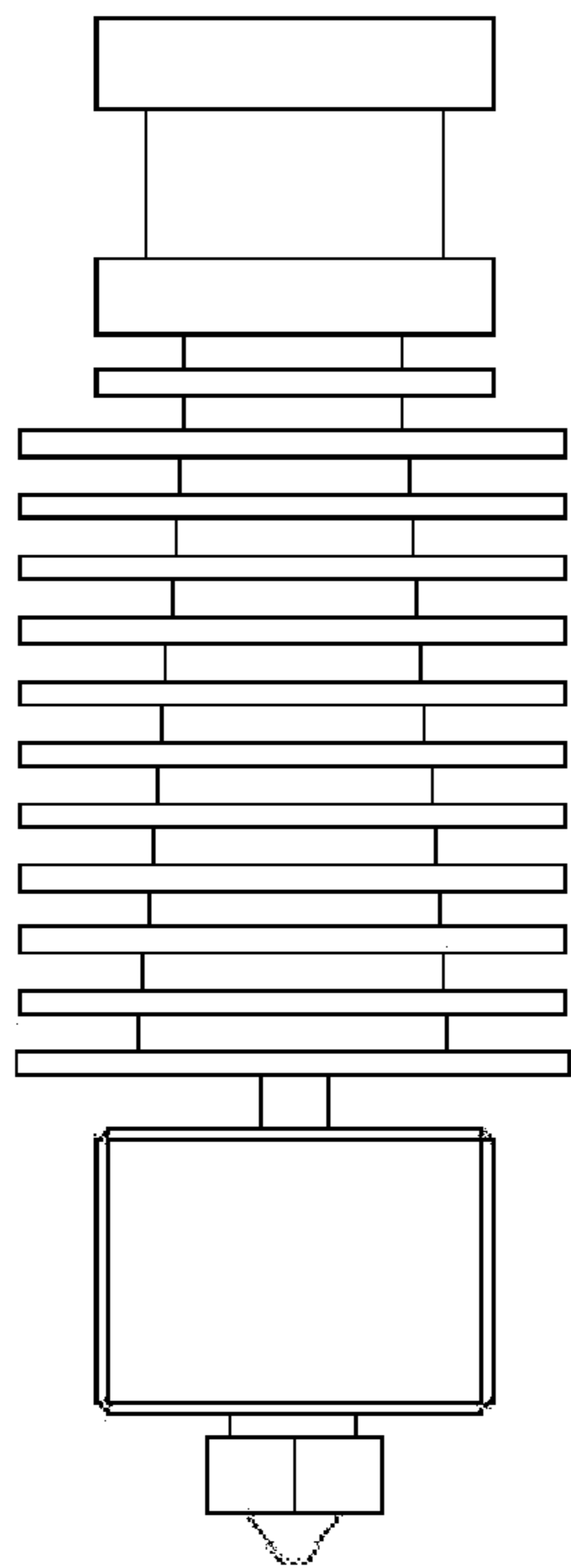


FIG. 4

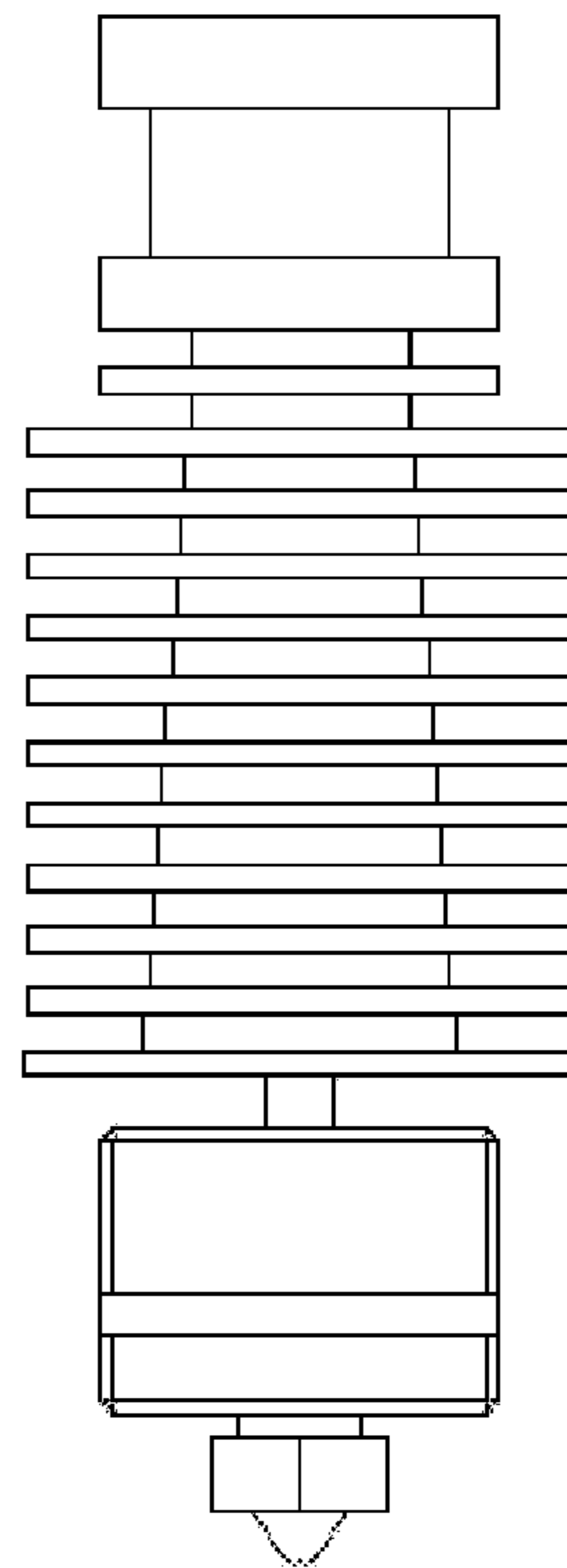
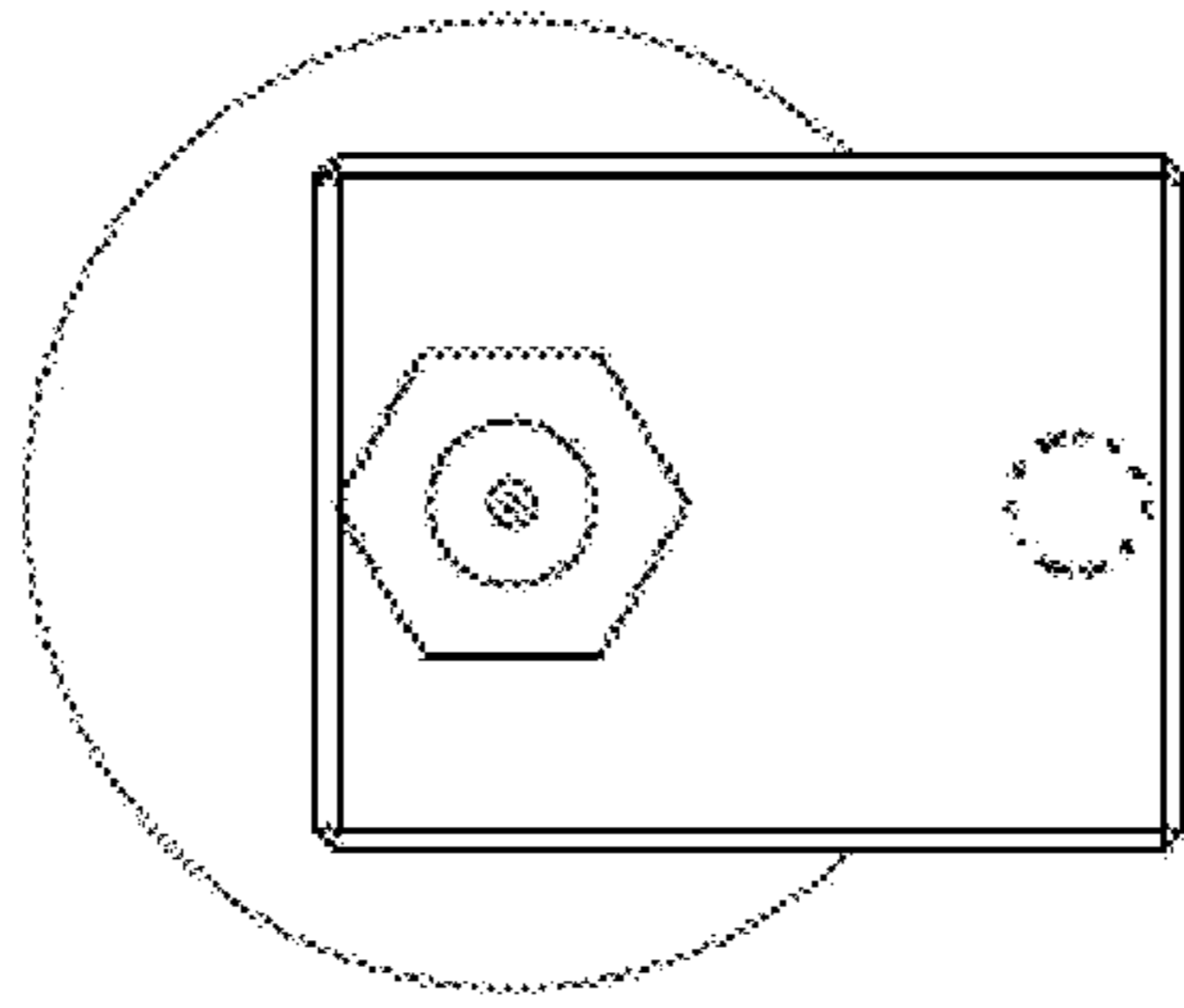
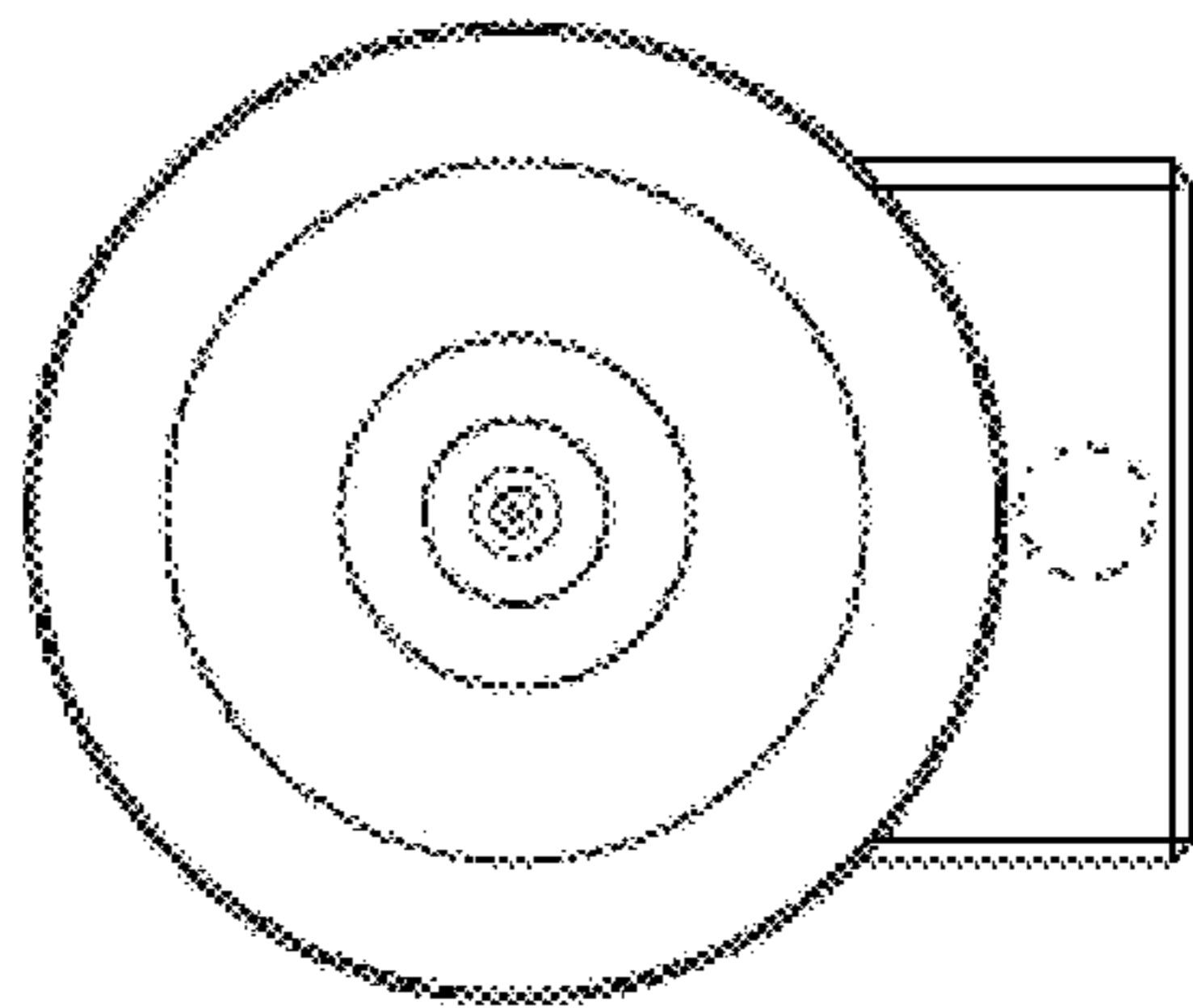


FIG. 5



**FIG. 6**



**FIG. 7**

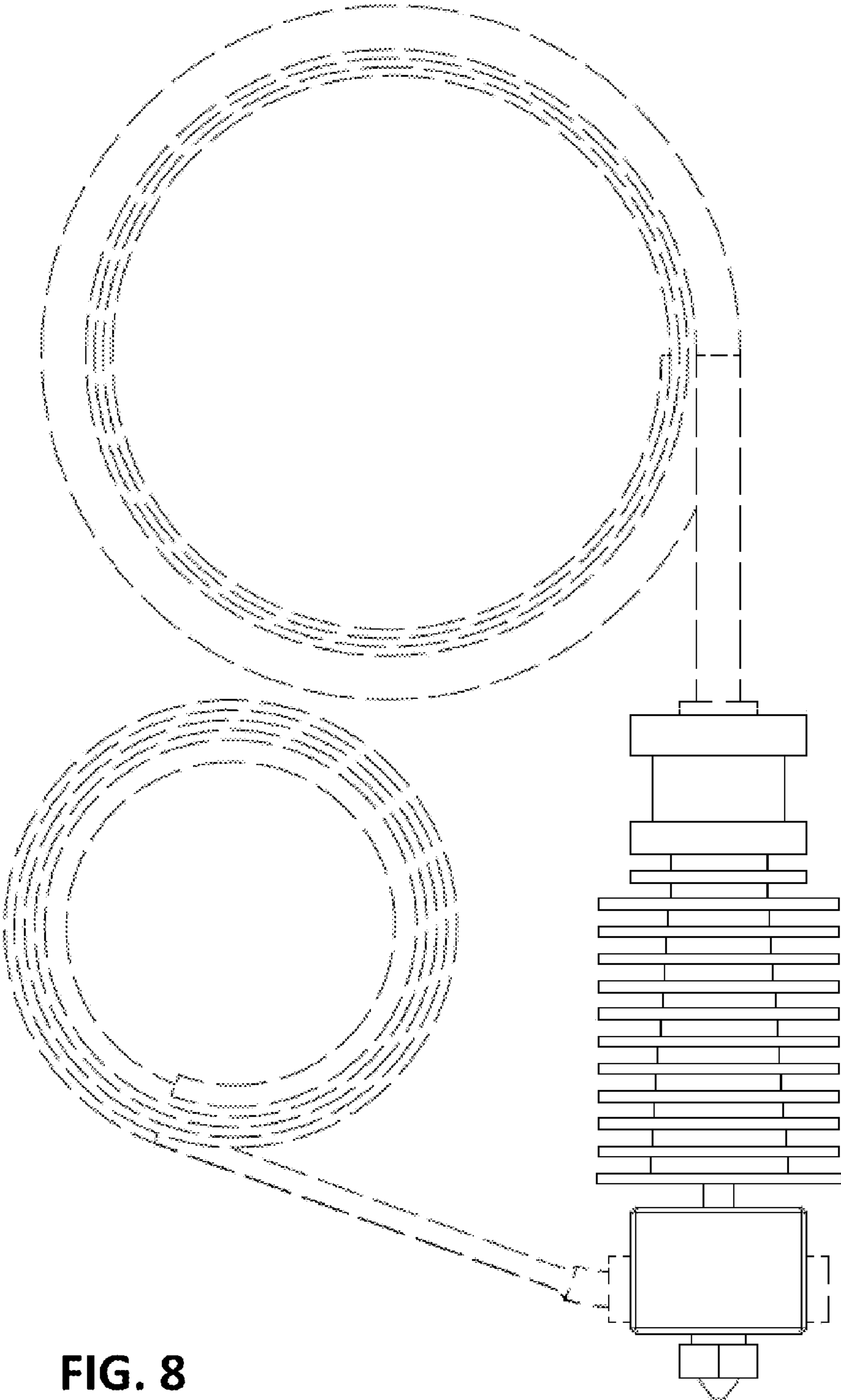


FIG. 8