

US00D762749S

(12) **United States Design Patent**  
**Andersson et al.**

(10) **Patent No.:** **US D762,749 S**  
(45) **Date of Patent:** **\*\* Aug. 2, 2016**

(54) **SURFACE-TREATING APPLIANCE**

(71) Applicant: **Digital Metal AB**, Höganäs (SE)  
(72) Inventors: **Bo-Göran Andersson**, Viken (SE);  
**Magnus Burgemeister**, Mölndal (SE)  
(73) Assignee: **Digital Metal AB**, Höganäs (SE)  
(\*\*) Term: **14 Years**

(21) Appl. No.: **29/514,835**  
(22) Filed: **Jan. 16, 2015**

(30) **Foreign Application Priority Data**

Jul. 18, 2014 (EM) ..... 002505271

(51) **LOC (10) Cl.** ..... **15-09**

(52) **U.S. Cl.**  
USPC ..... **D15/122; D15/124**

(58) **Field of Classification Search**  
USPC ..... **D15/122, 124, 126**  
See application file for complete search history.

(56) **References Cited**

**U.S. PATENT DOCUMENTS**

3,516,205 A \* 6/1970 Thomson ..... 451/87  
D246,108 S \* 10/1977 Ashworth ..... D15/124  
D250,196 S \* 11/1978 Caccioli et al. .... D15/124  
4,300,318 A \* 11/1981 Brown ..... 451/88  
D323,661 S \* 2/1992 Zwicker ..... D15/124  
6,099,395 A \* 8/2000 Guseman ..... 451/75  
D534,557 S \* 1/2007 Storer et al. .... D15/124

D669,922 S \* 10/2012 Eliason ..... D15/124  
D706,317 S \* 6/2014 Eliason ..... D15/124  
D729,290 S \* 5/2015 Yamada et al. .... D15/122  
D737,871 S \* 9/2015 Yamada et al. .... D15/122  
2003/0124955 A1 \* 7/2003 Hanson ..... 451/2  
2003/0199232 A1 \* 10/2003 Rivir et al. .... 451/38  
2004/0092216 A1 \* 5/2004 Publ et al. .... 451/87  
2008/0315738 A1 \* 12/2008 Tan ..... 312/258  
2009/0156102 A1 \* 6/2009 Rivir ..... 451/60  
2013/0210319 A1 \* 8/2013 Gramling et al. .... 451/2

\* cited by examiner

*Primary Examiner* — Patricia Palasik

(74) *Attorney, Agent, or Firm* — Wolf, Greenfield & Sacks, P.C.

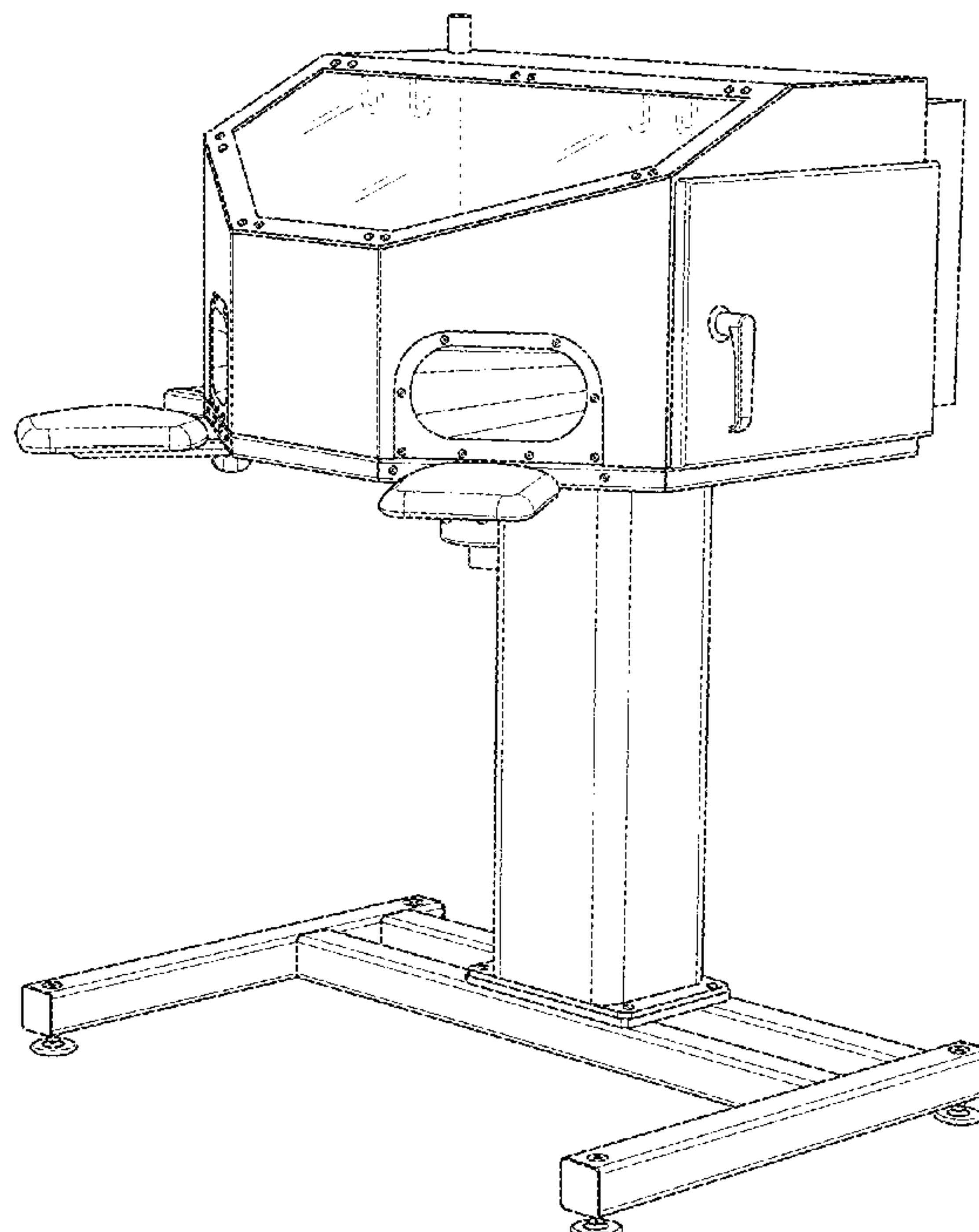
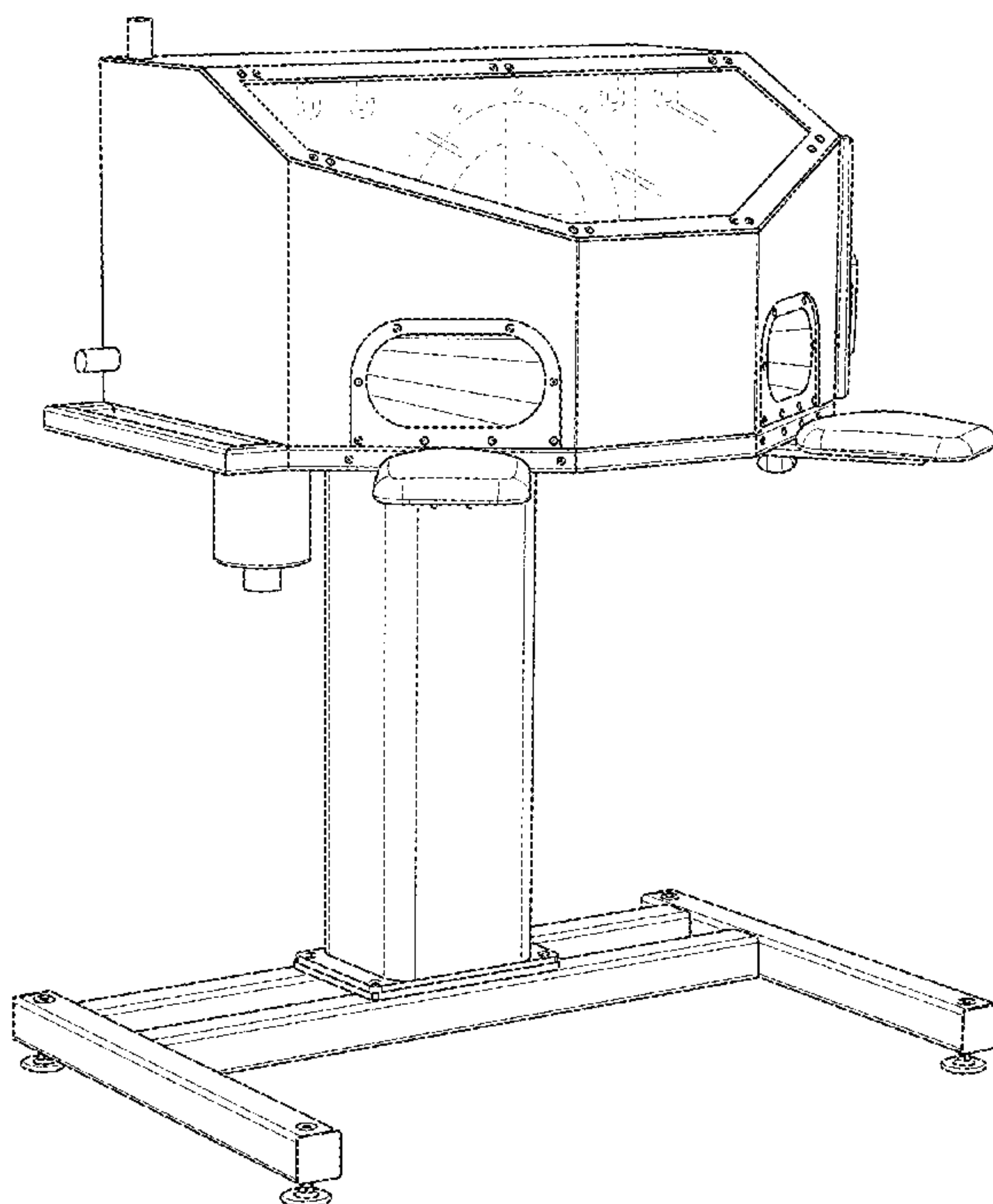
(57) **CLAIM**

The ornamental design for a surface-treating appliance, as shown and described.

**DESCRIPTION**

FIG. 1 is a front elevational view of a surface-treating appliance;  
FIG. 2 is a left side elevational view of the surface-treating appliance shown in FIG. 1;  
FIG. 3 is a rear elevational view of the surface-treating appliance shown in FIG. 1;  
FIG. 4 is a left side perspective view of the surface-treating appliance shown in FIG. 1; and  
FIG. 5 is a right side perspective view of the surface-treating appliance shown in FIG. 1.  
The broken lines shown in the drawings illustrate portions of the surface-treating appliance that form no part of the claimed design.

**1 Claim, 5 Drawing Sheets**



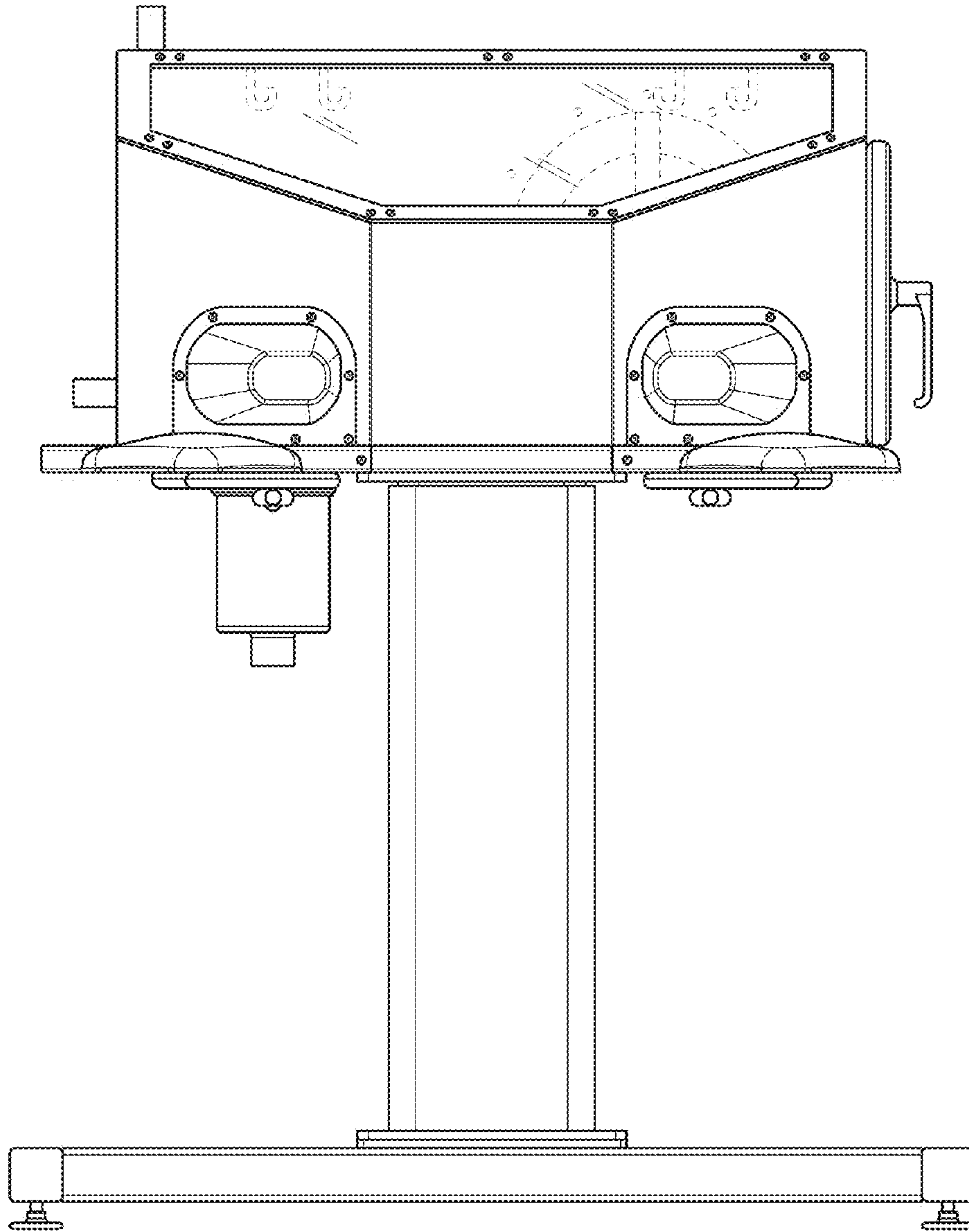


FIG. 1

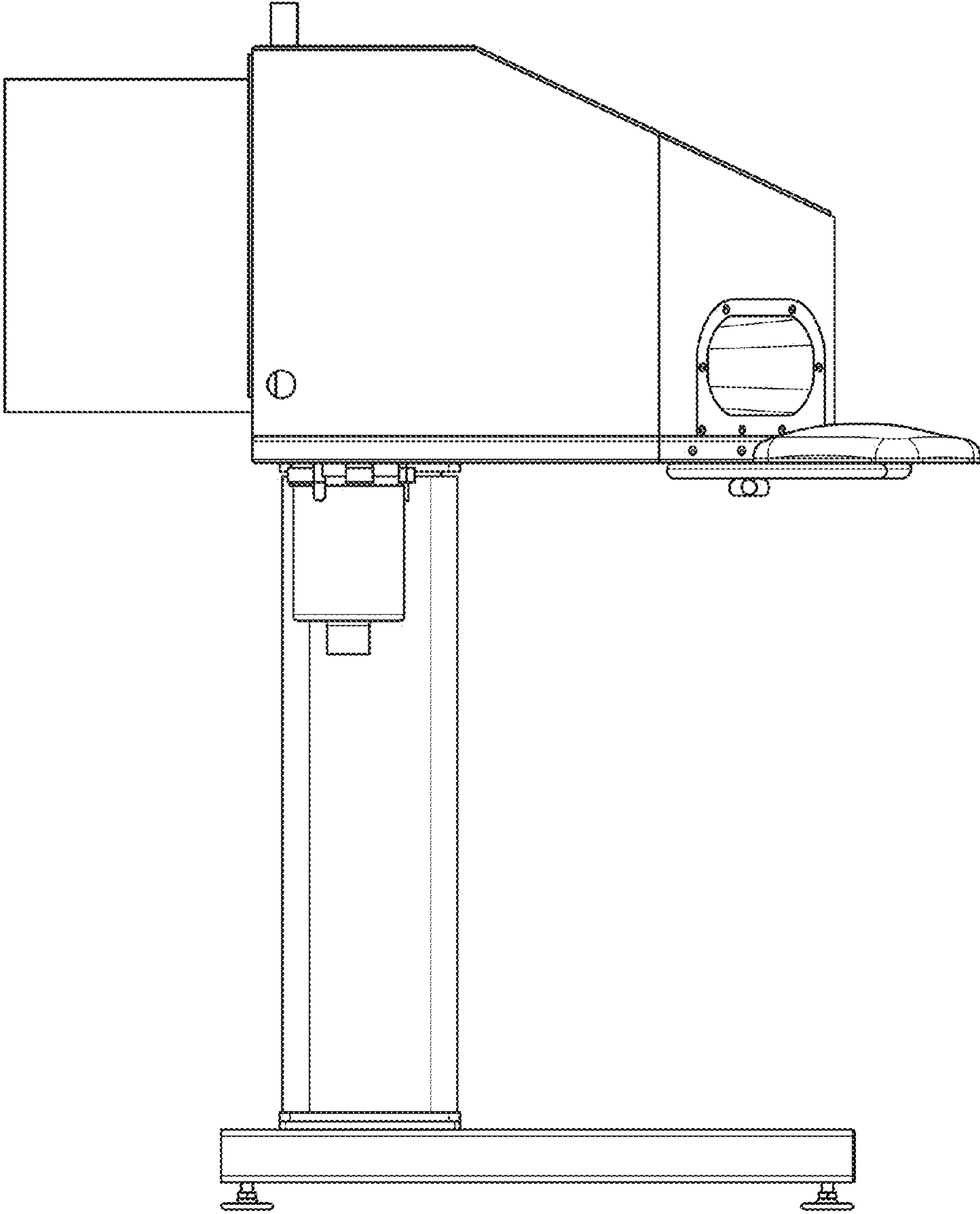


FIG. 2

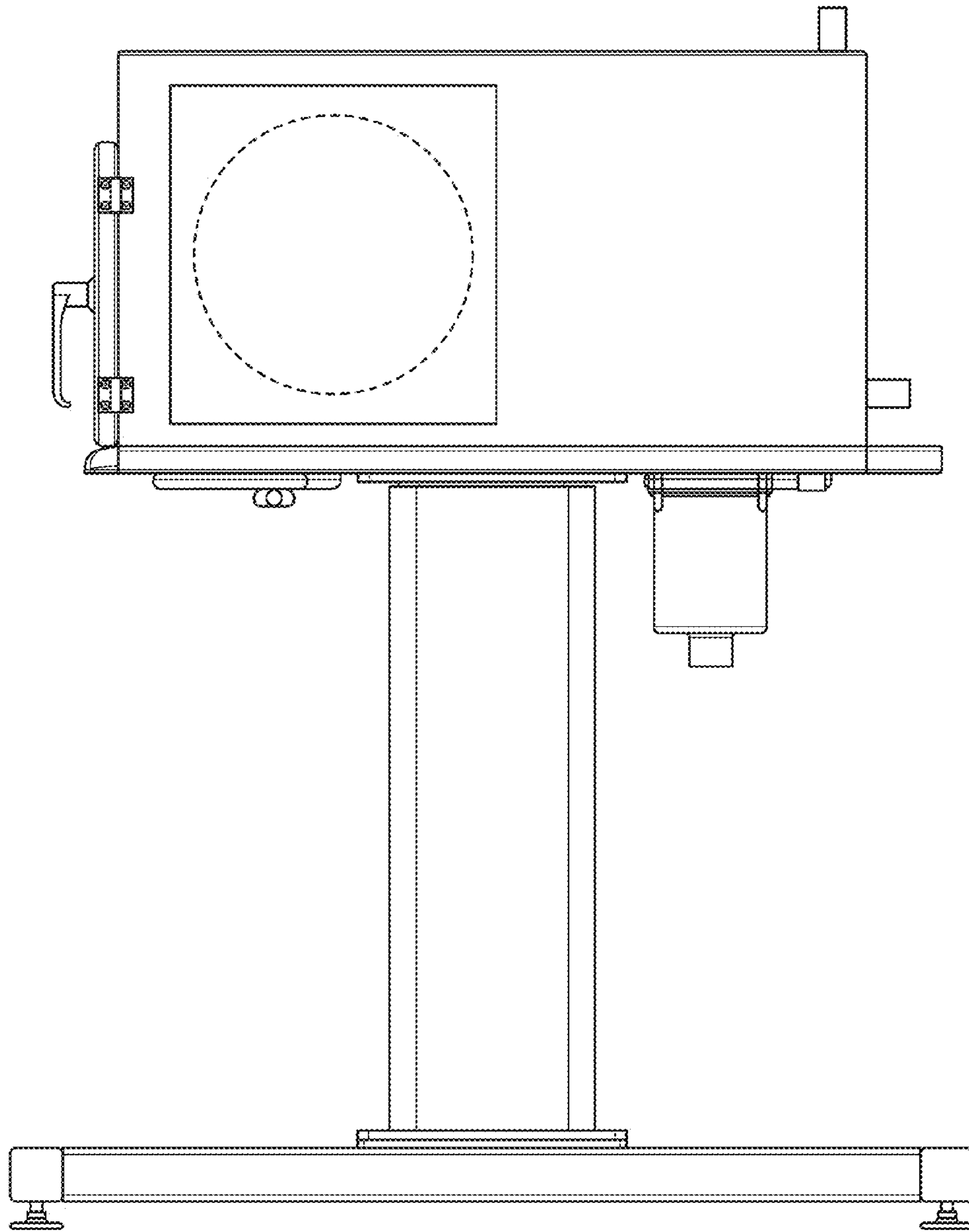


FIG. 3

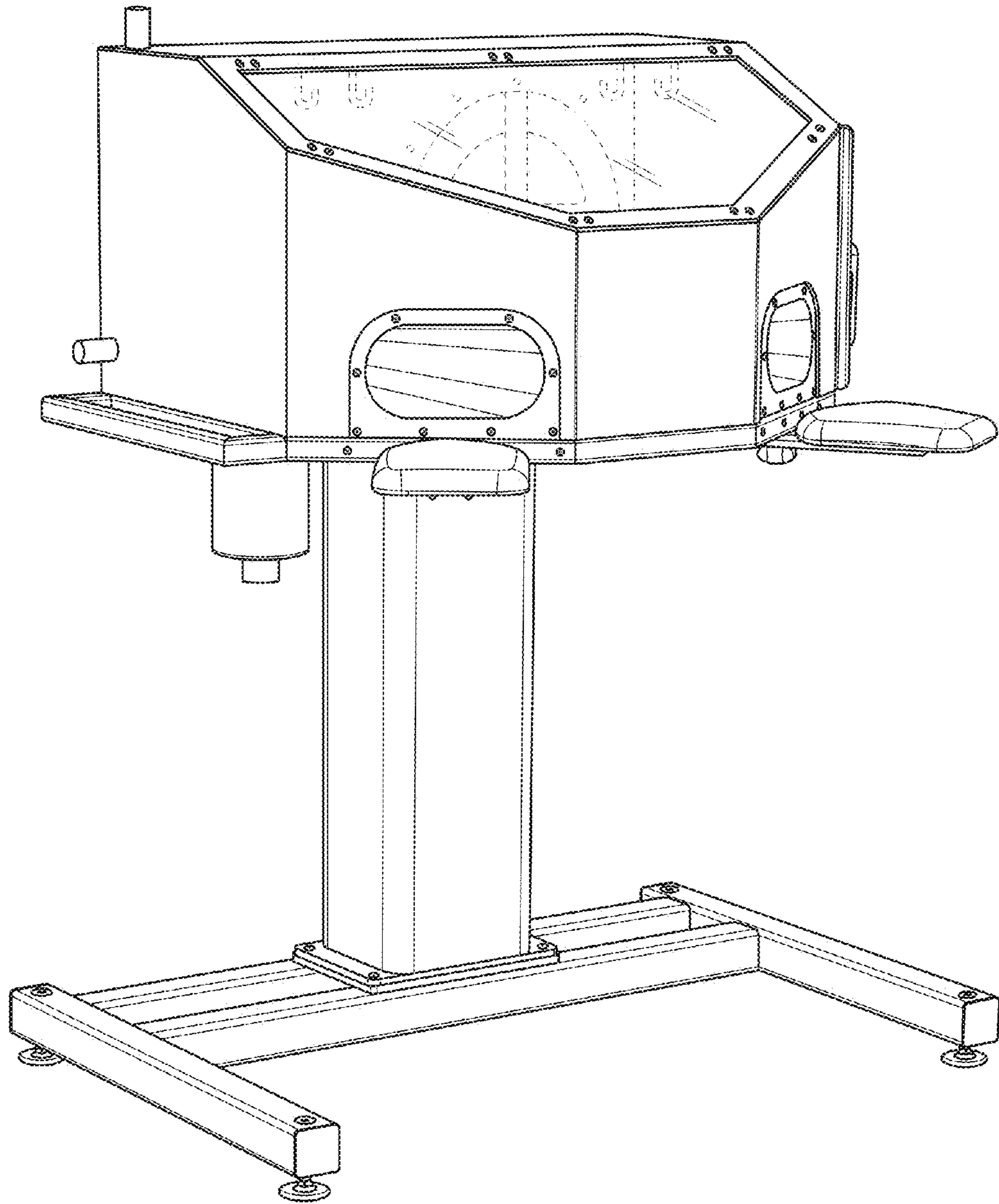


FIG. 4



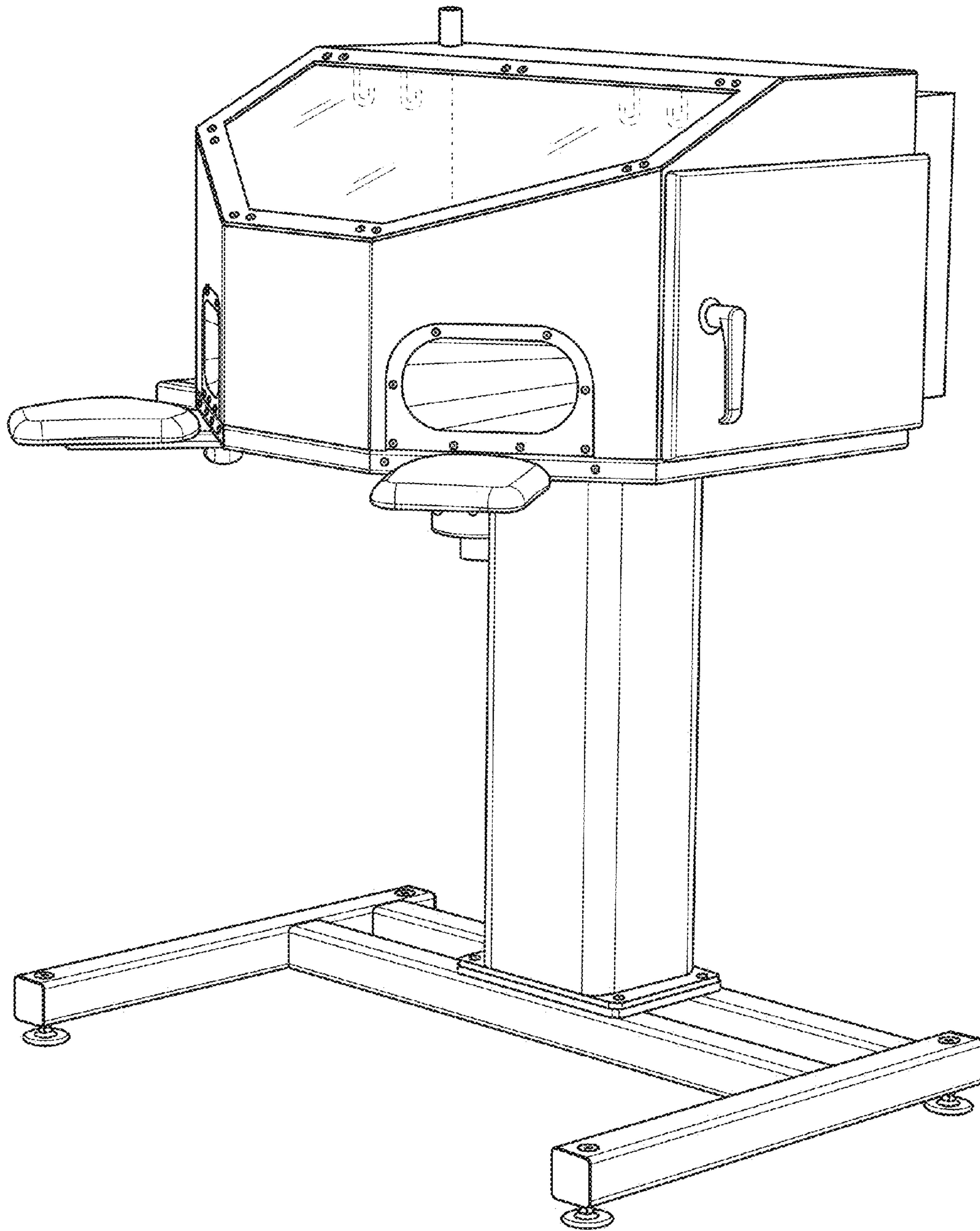


FIG. 5