



US00D762748S

(12) **United States Design Patent**
Schönherr et al.

(10) **Patent No.:** **US D762,748 S**

(45) **Date of Patent:** **** Aug. 2, 2016**

(54) **HOUSING OF A LASER PROCESSING MACHINE**

(71) Applicant: **Trumpf GmbH & Co. KG**, Ditzingen (DE)

(72) Inventors: **Tom Schönherr**, Stuttgart (DE); **Erkan Bilgic**, Stuttgart (DE); **Dina Gallo**, Stuttgart (DE)

(73) Assignee: **TRUMPF GmbH + Co. KG**, Ditzingen (DE)

(**) Term: **14 Years**

(21) Appl. No.: **29/502,629**

(22) Filed: **Sep. 18, 2014**

(30) **Foreign Application Priority Data**

May 14, 2014 (EP) 002463737

(51) **LOC (10) Cl.** **15-09**

(52) **U.S. Cl.**
USPC **D15/122**

(58) **Field of Classification Search**
USPC D15/122-143; 219/121.67, 121.6,
219/121.78

CPC B23K 26/38; B23K 26/0876
See application file for complete search history.

(56) **References Cited**

U.S. PATENT DOCUMENTS

D252,575 S * 8/1979 Simmons D15/130
D464,363 S * 10/2002 Saito D15/122
D659,174 S * 5/2012 Mueller D15/122

D659,728 S * 5/2012 Mueller D15/122
D667,031 S * 9/2012 Mueller D15/122
D676,882 S * 2/2013 Mueller D15/122
D690,330 S * 9/2013 Tsuchiyama D15/122
D690,744 S * 10/2013 Koide D15/122
D690,745 S * 10/2013 Koide D15/122
D718,353 S * 11/2014 Kato D15/122
2009/0001063 A1 * 1/2009 Weick B23K 26/032
219/121.85
2015/0273633 A1 * 10/2015 Masauji B23K 26/38
219/121.67

* cited by examiner

Primary Examiner — Susan Bennett Hattan

Assistant Examiner — Brett Miller

(74) *Attorney, Agent, or Firm* — Fish & Richardson P.C.

(57) **CLAIM**

The ornamental design for a housing of a laser processing machine, substantially as shown and described.

DESCRIPTION

FIG. 1 is a perspective view of our laser processing machine housing.

FIG. 2 is a front view of the laser processing machine housing of FIG. 1.

FIG. 3 is a back view of the laser processing machine housing of FIG. 1.

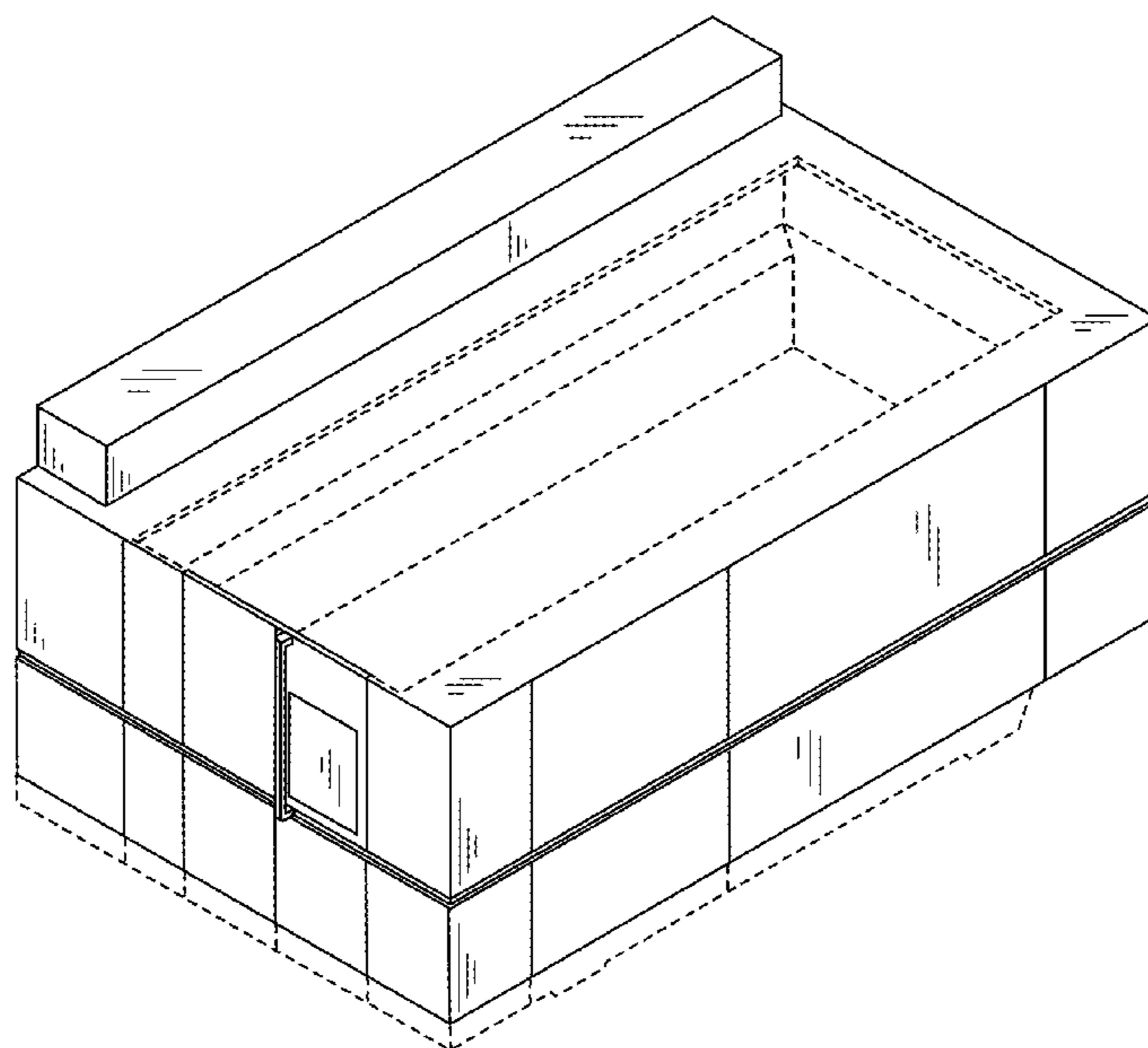
FIG. 4 is a right side view of the laser processing machine housing of FIG. 1.

FIG. 5 is a left side view of the laser processing machine housing of FIG. 1; and,

FIG. 6 is a top view of the laser processing machine housing of FIG. 1.

The broken lines illustrate environmental features that form no part of the claimed design.

1 Claim, 4 Drawing Sheets



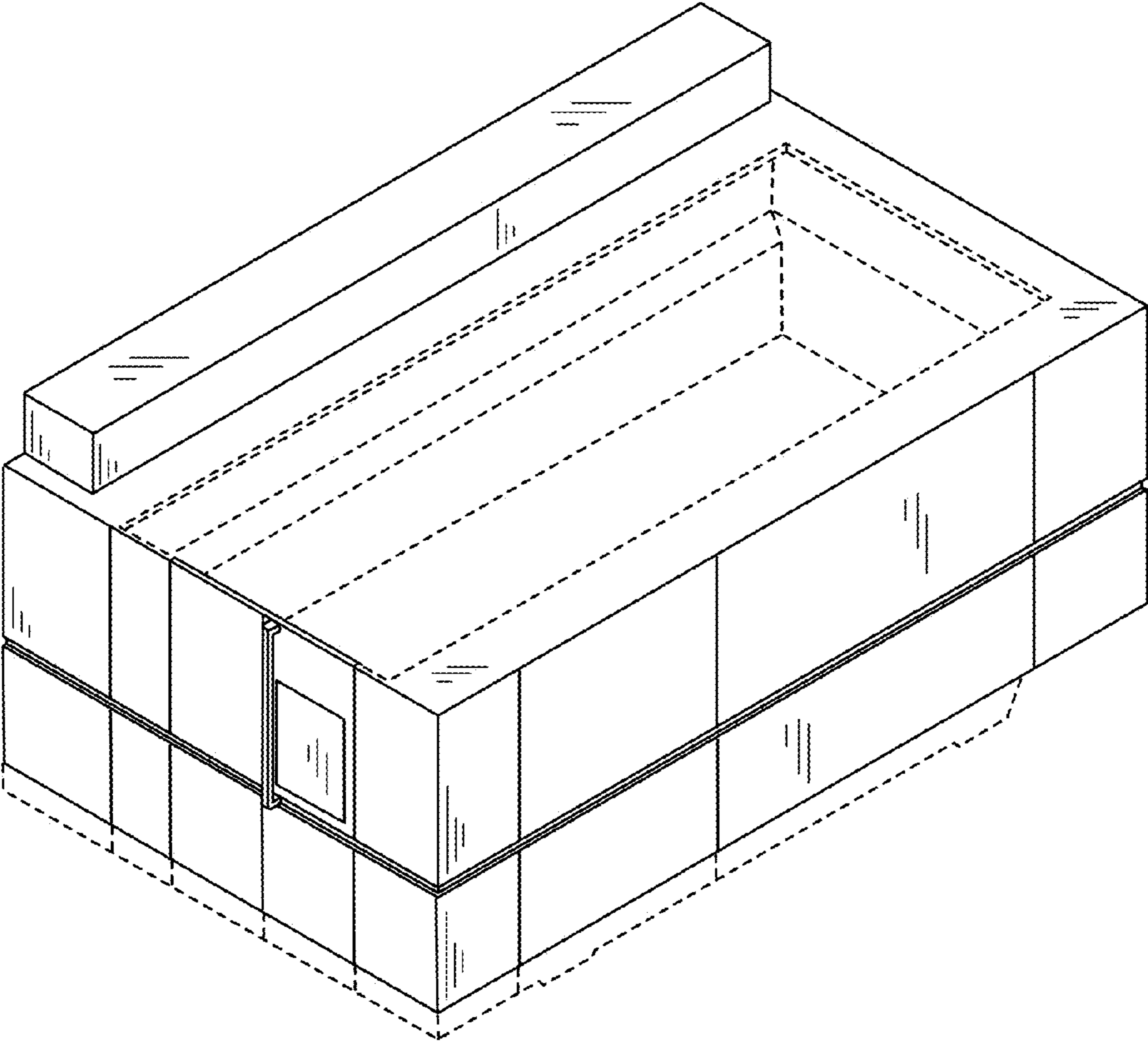


FIG. 1

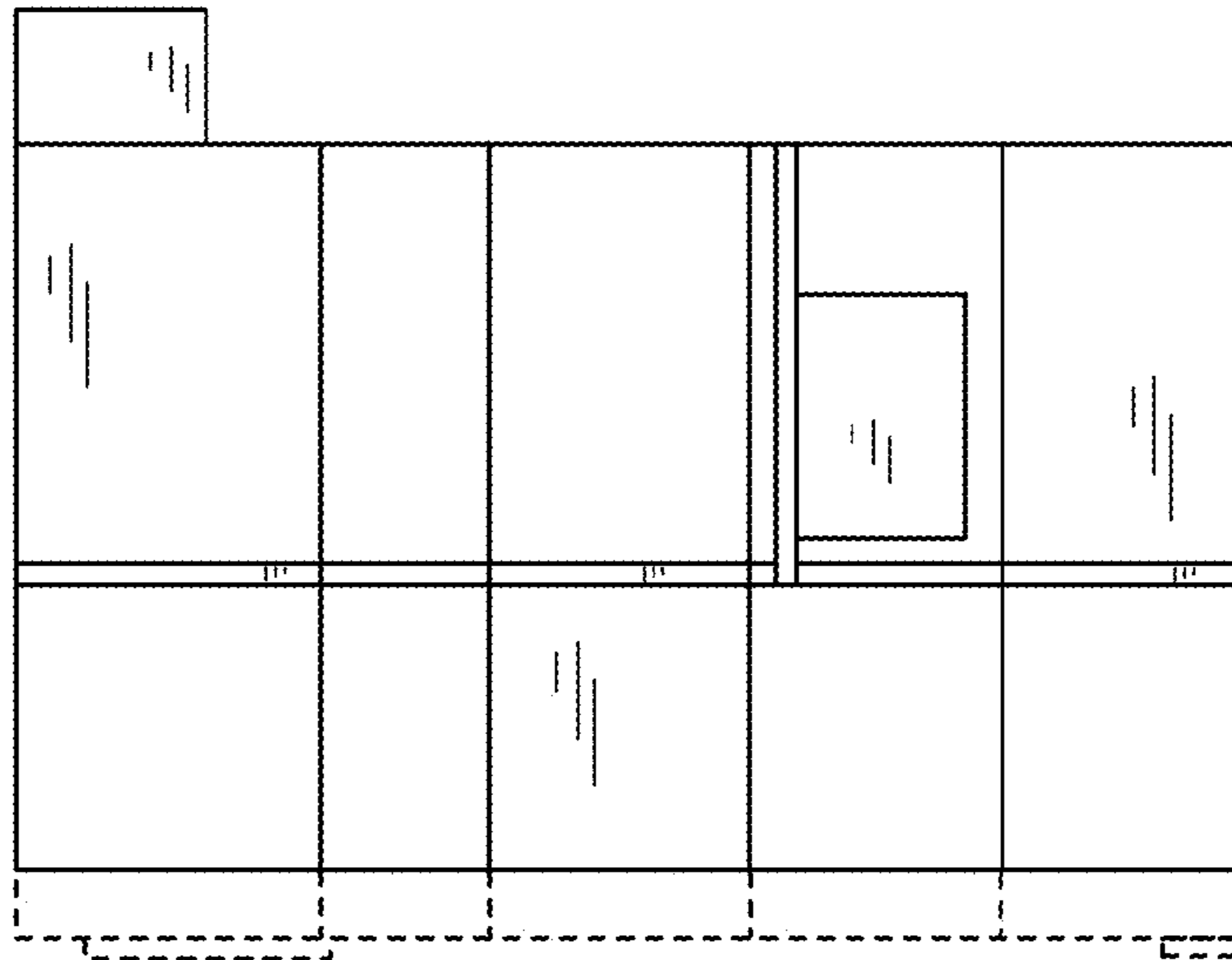


FIG. 2

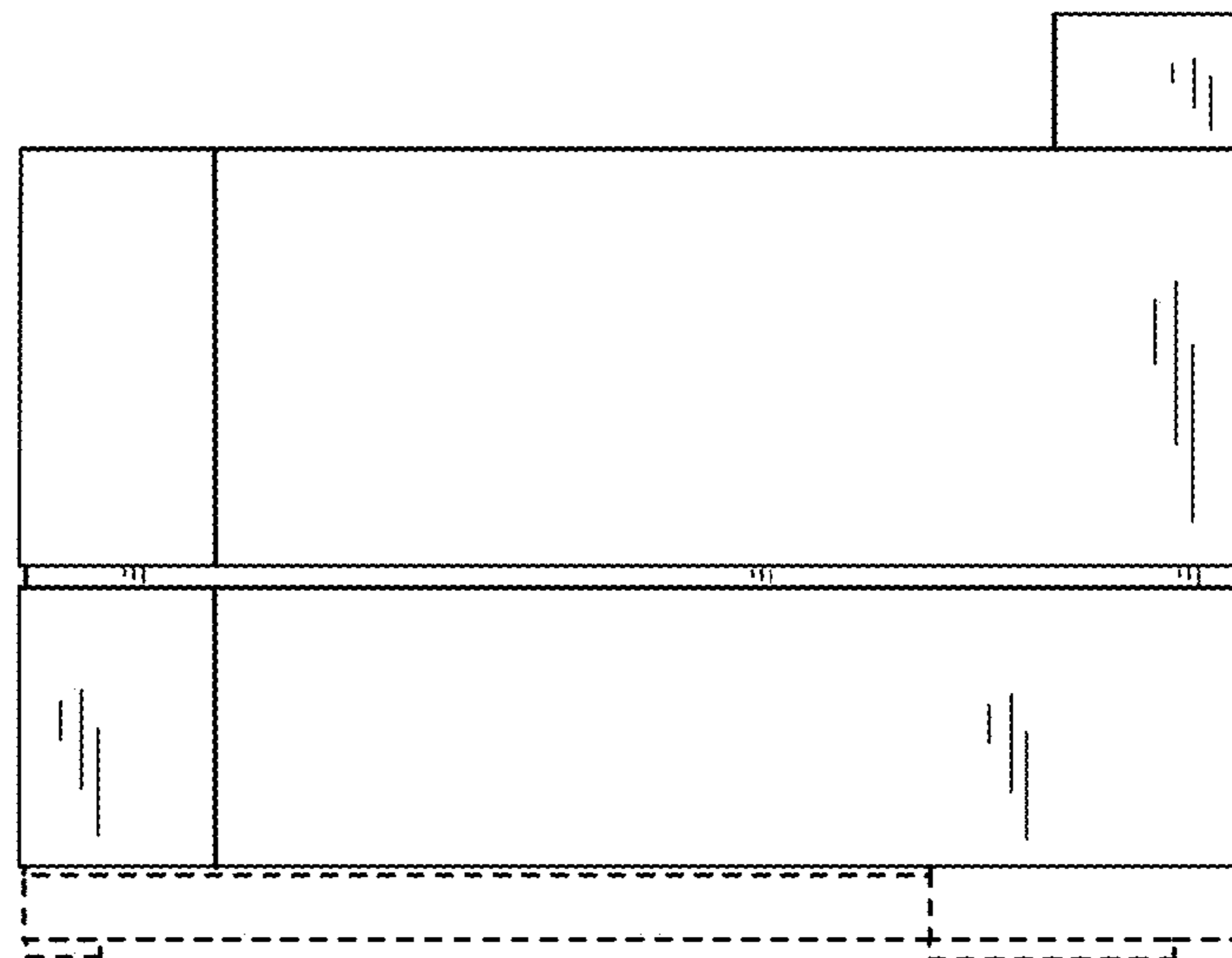


FIG. 3

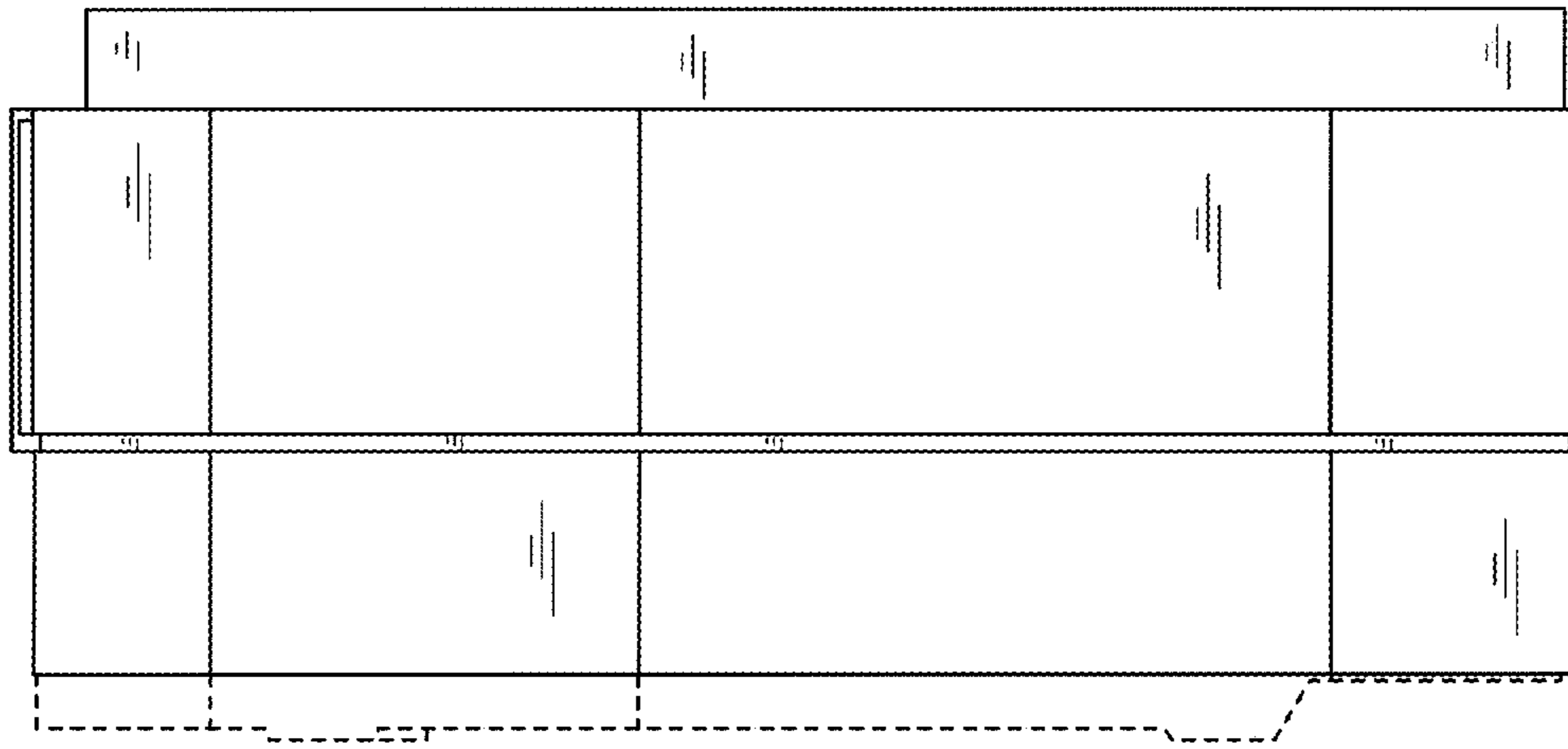


FIG. 4

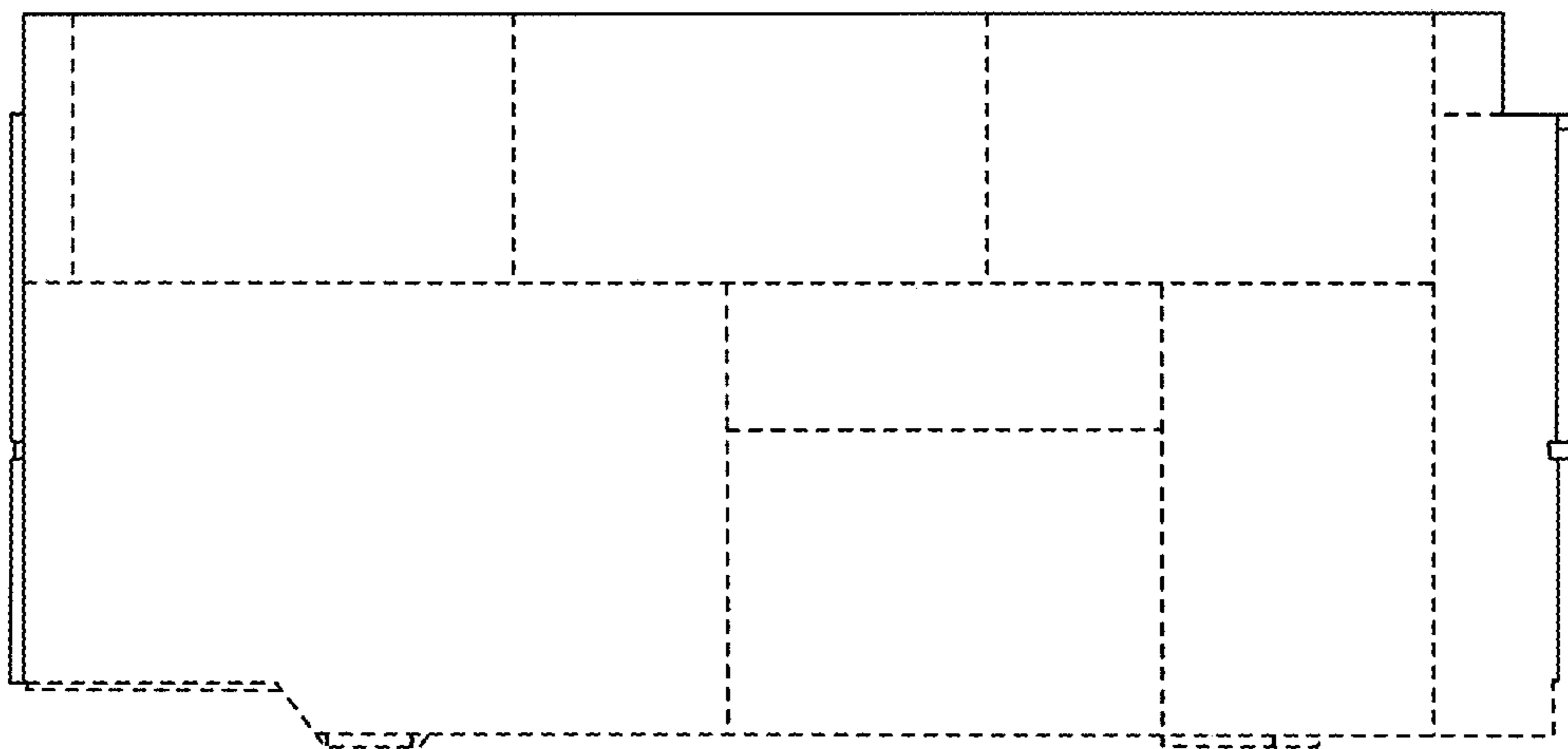


FIG. 5

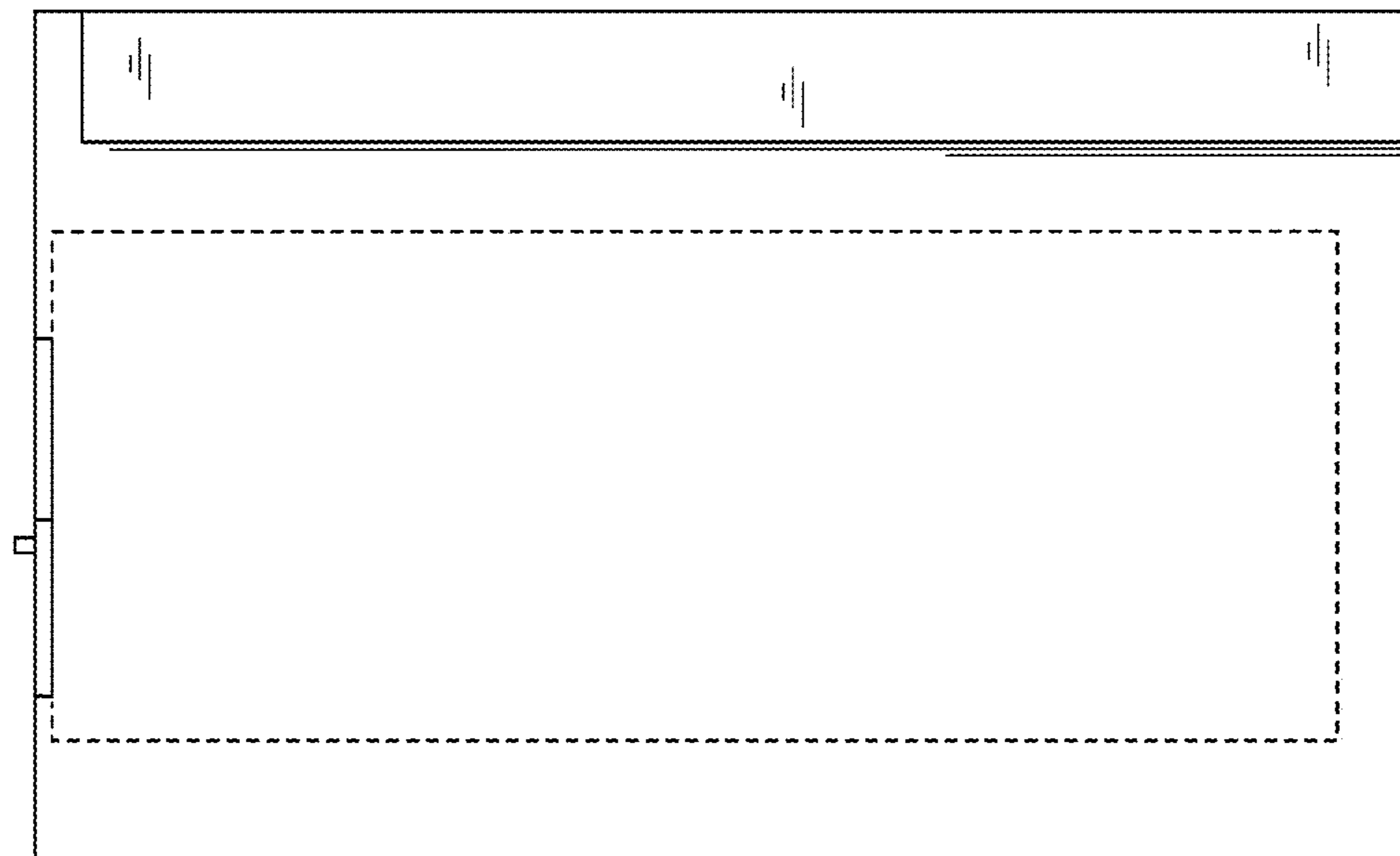


FIG. 6