



US00D762747S

(12) **United States Design Patent**
Glass

(10) **Patent No.:** **US D762,747 S**

(45) **Date of Patent:** **** Aug. 2, 2016**

(54) **COOLING CONTAINER**

(71) Applicant: **Stefan Glass**, Bethany, OK (US)

(72) Inventor: **Stefan Glass**, Bethany, OK (US)

(**) Term: **15 Years**

(21) Appl. No.: **29/505,230**

(22) Filed: **Aug. 4, 2015**

(51) **LOC (10) Cl.** **15-07**

(52) **U.S. Cl.**
USPC **D15/90**

(58) **Field of Classification Search**
USPC D15/79-91
CPC F25D 23/028; F25D 23/02; F25D 25/025;
F25D 23/00; F25D 2323/021; F25D 11/00;
F25D 2323/024; F25D 23/04; F25D 29/00;
F25D 25/02; F25D 25/024; F25D 27/005;
F25D 23/12; F25D 29/005; F25D 17/042;
F25D 2325/021

See application file for complete search history.

(56) **References Cited**

U.S. PATENT DOCUMENTS

D351,532 S *	10/1994	Wolfenden	D15/90
D473,572 S *	4/2003	Linberg	D15/90
D700,636 S *	3/2014	Maggioni	D15/90
D700,637 S *	3/2014	Maggioni	D15/90
D706,842 S *	6/2014	Maggioni	D15/90

* cited by examiner

Primary Examiner — Daniel Bui
Assistant Examiner — Khawaja Anwar

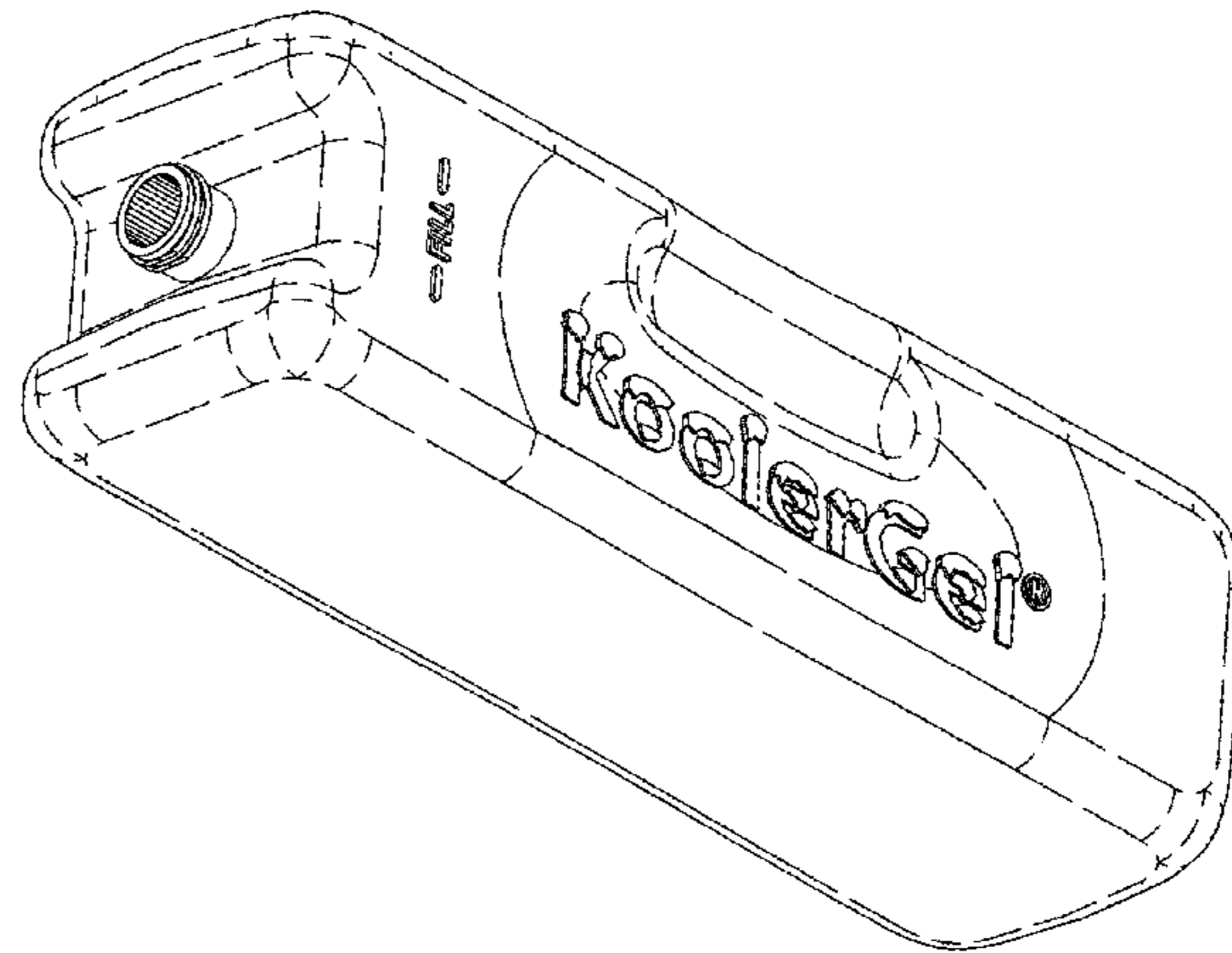
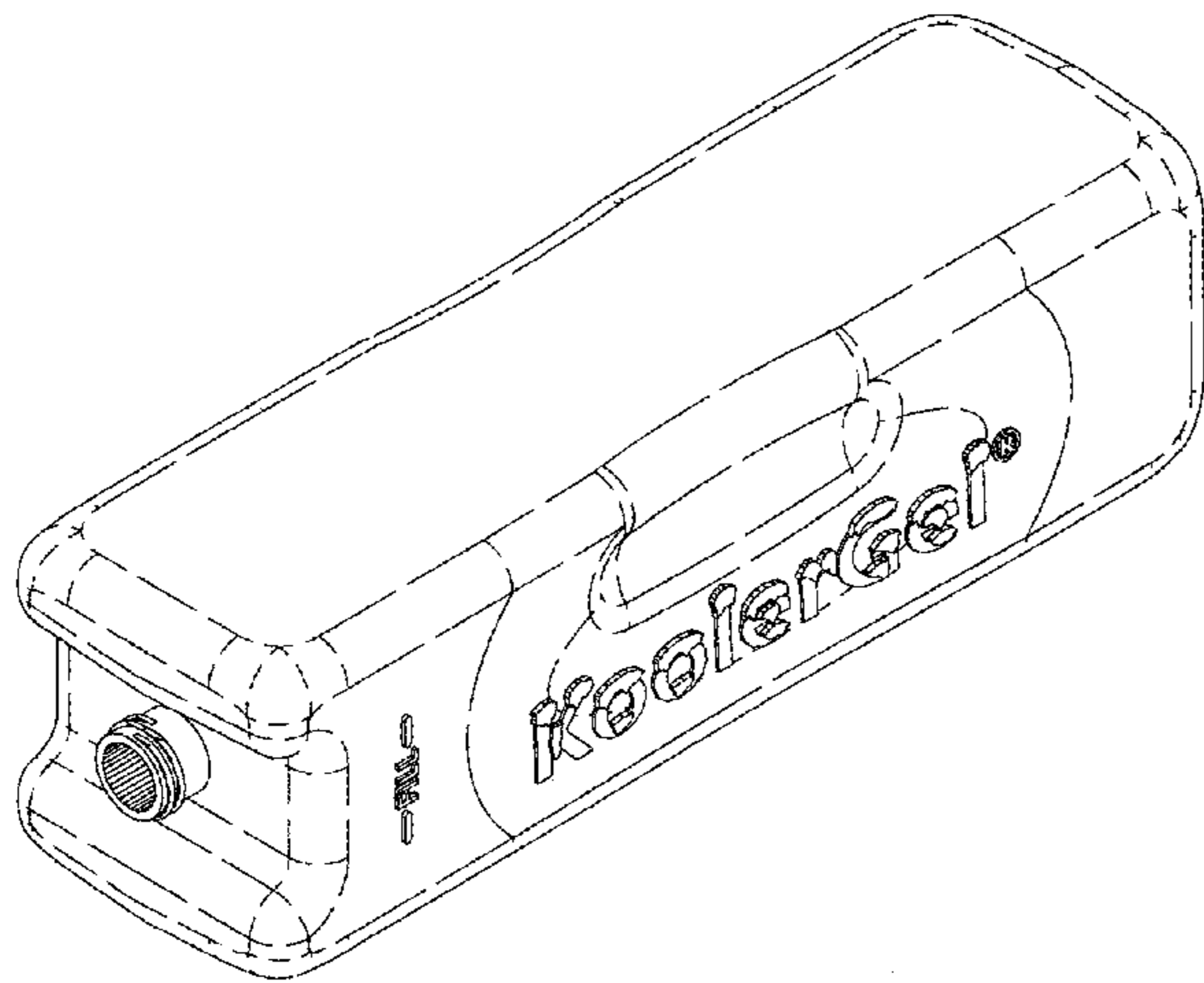
(57) **CLAIM**

The ornamental design for a cooling container, as shown and described.

DESCRIPTION

FIG. 1 is a top, front perspective view of a cooling container, showing my new design;
FIG. 2 is a bottom, front perspective view thereof;
FIG. 3 is a front elevation view thereof;
FIG. 4 is a right side elevation view thereof;
FIG. 5 is a rear elevation view thereof;
FIG. 6 is a left side elevation view thereof;
FIG. 7 is a top plan view thereof; and,
FIG. 8 is a bottom plan view thereof.
The cooling container is used to house a specialized gel used for extending the life and use of ice.

1 Claim, 4 Drawing Sheets



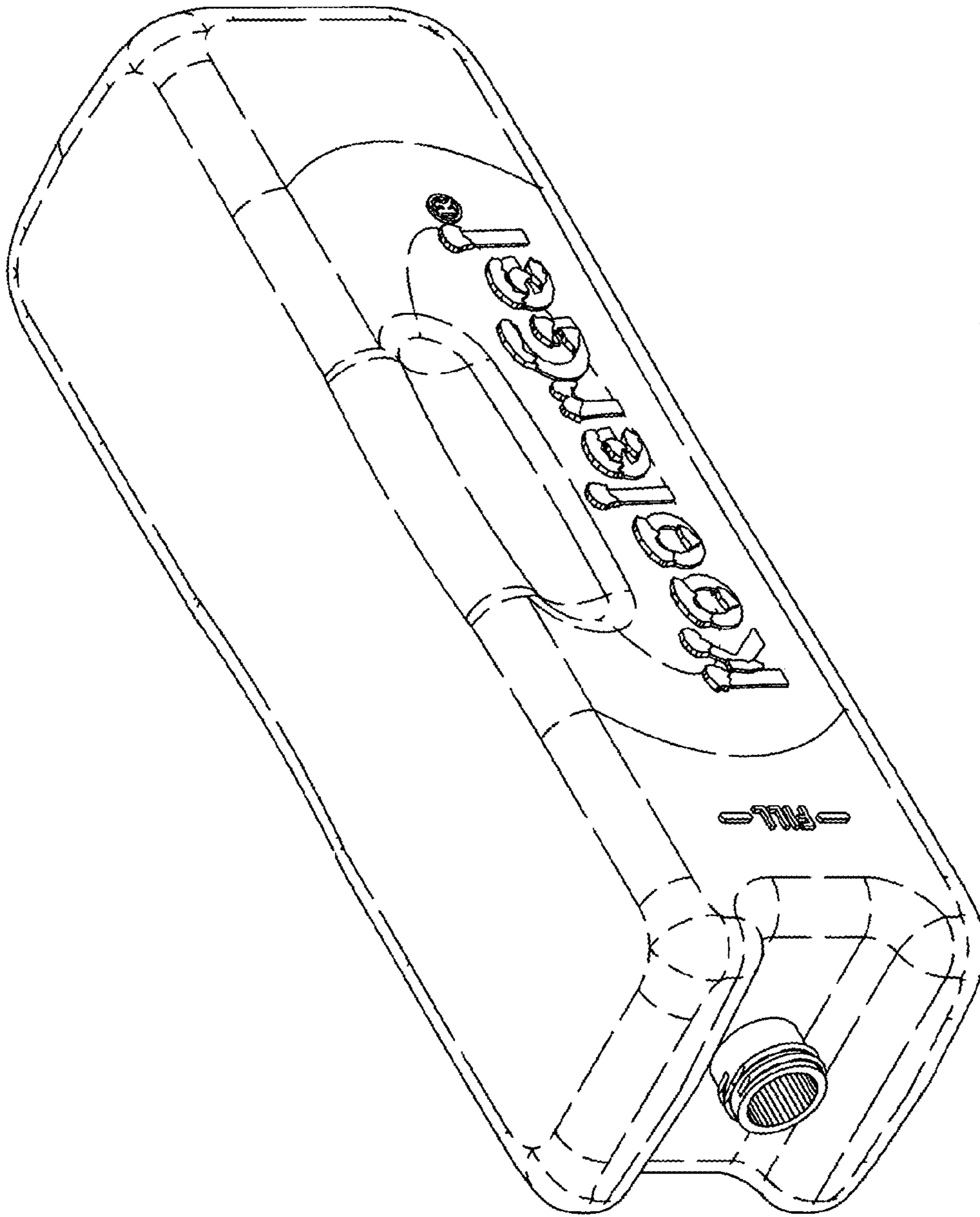


FIGURE 1

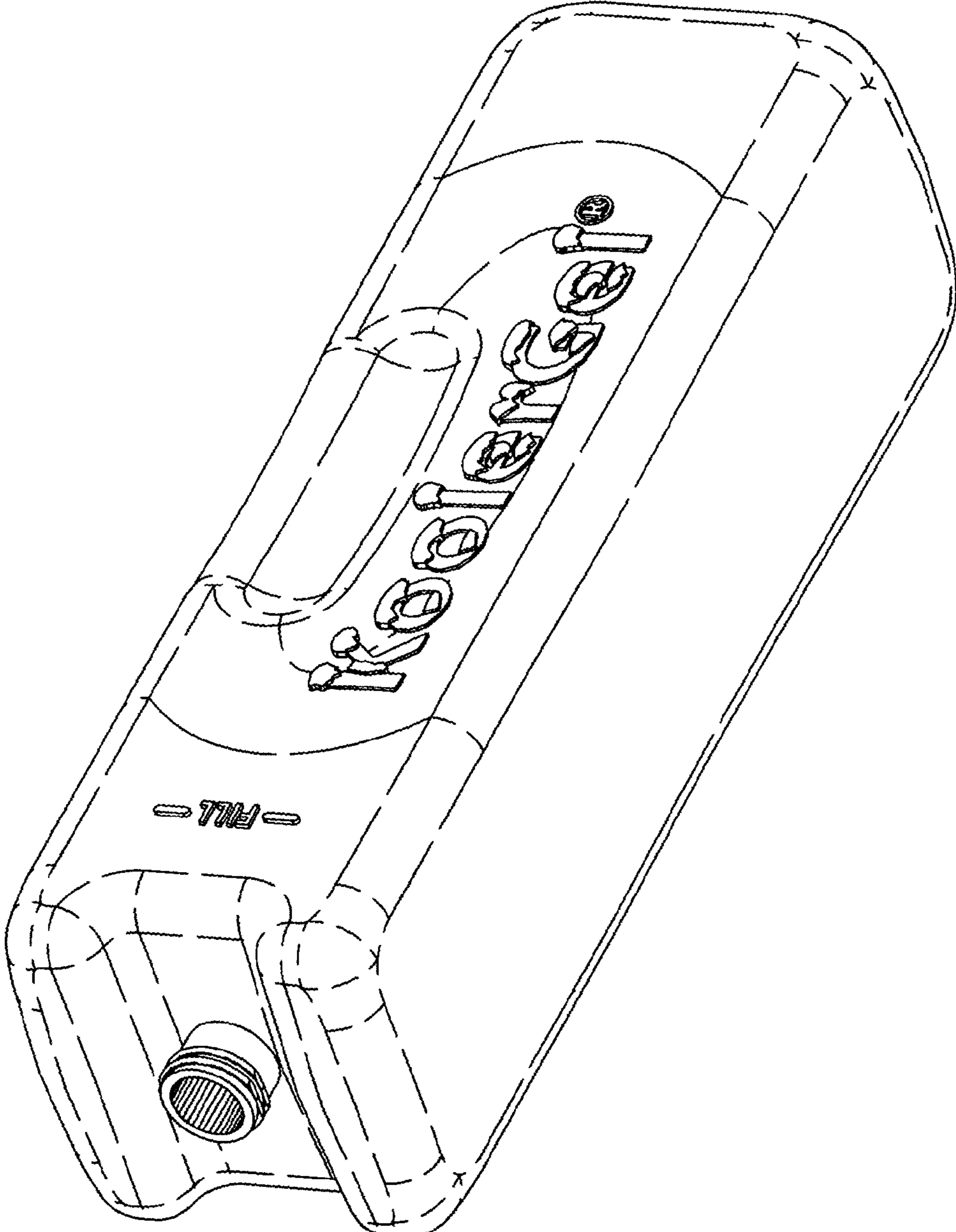


FIGURE 2

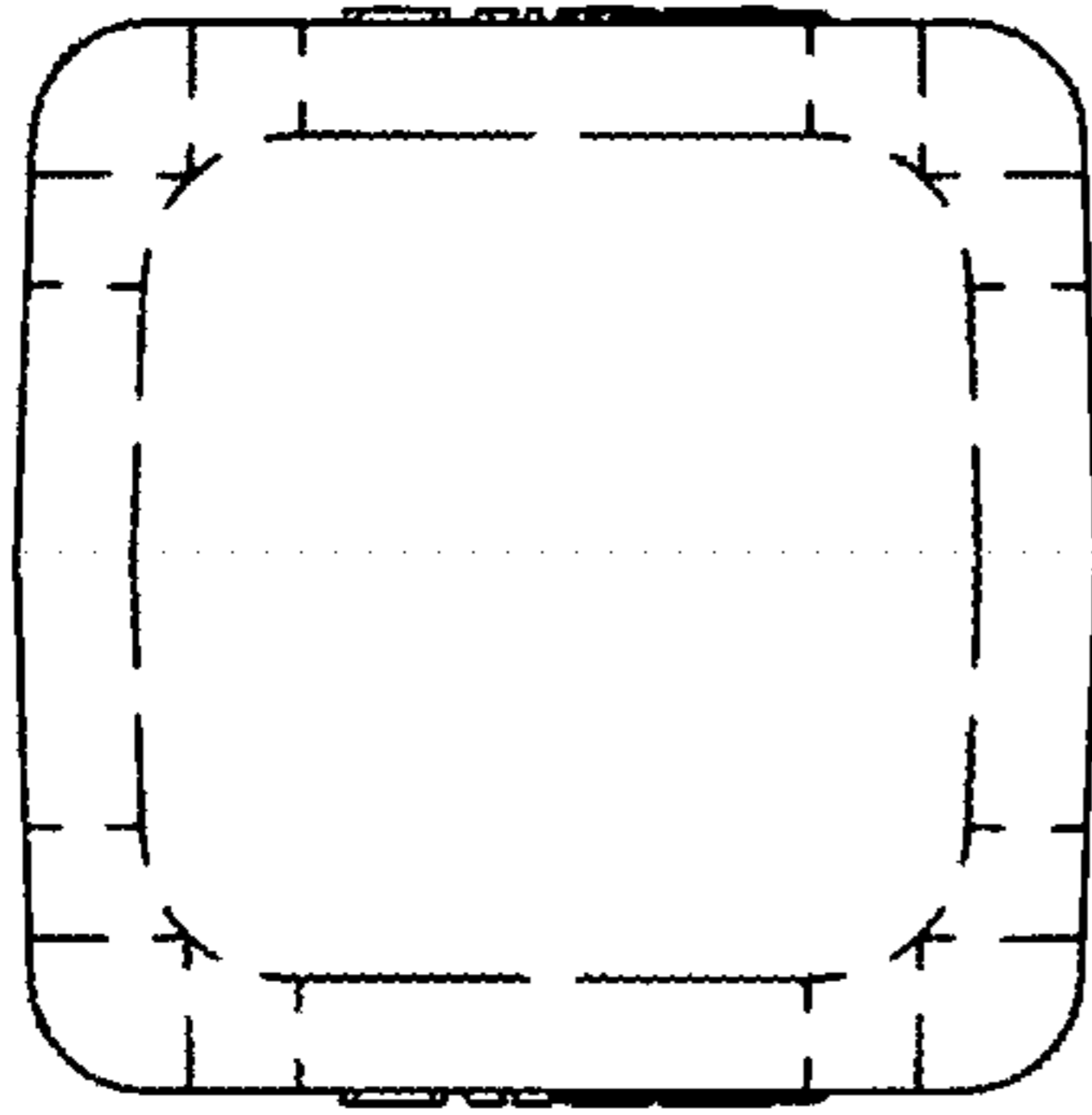


FIGURE 4

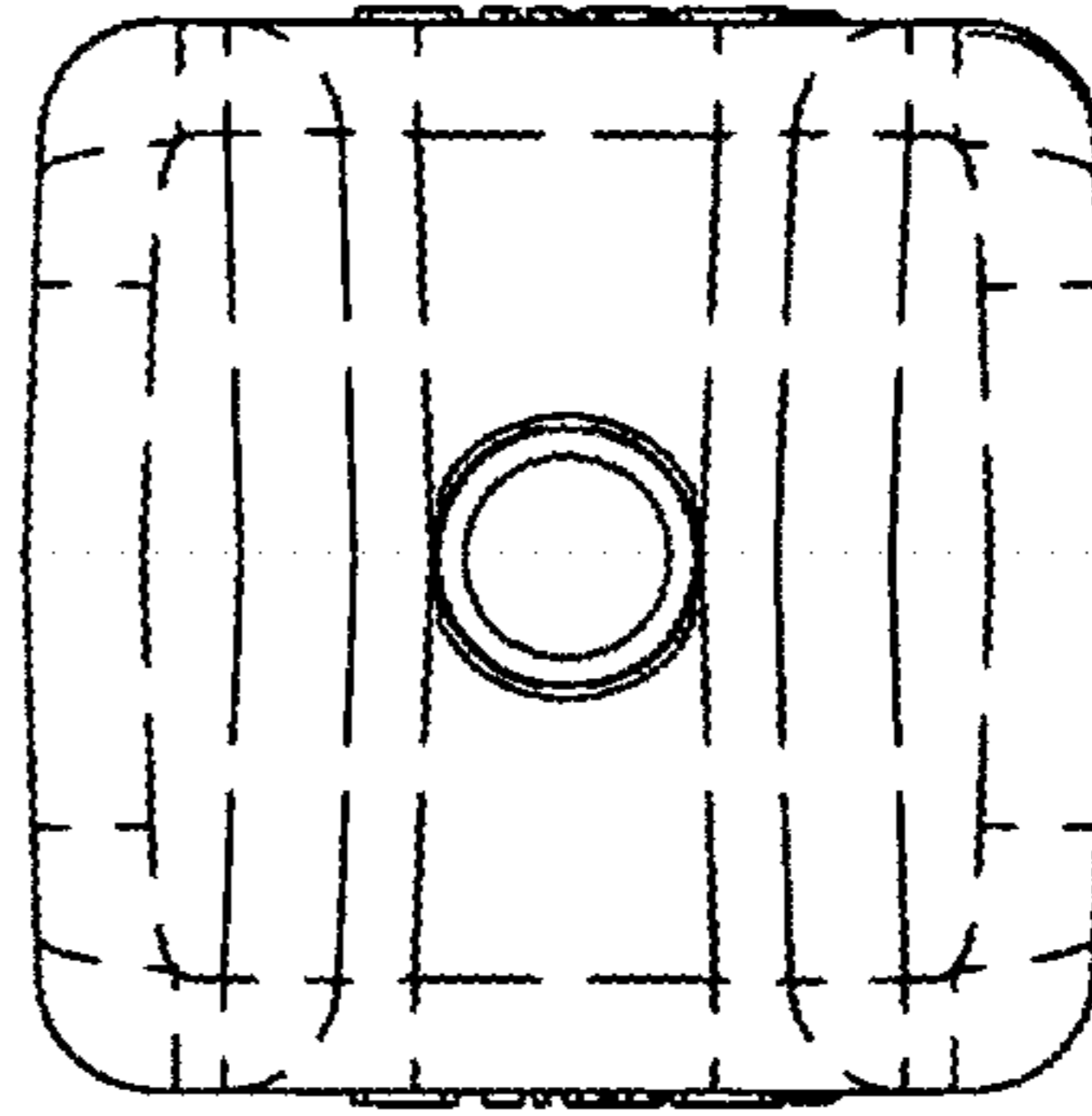


FIGURE 6

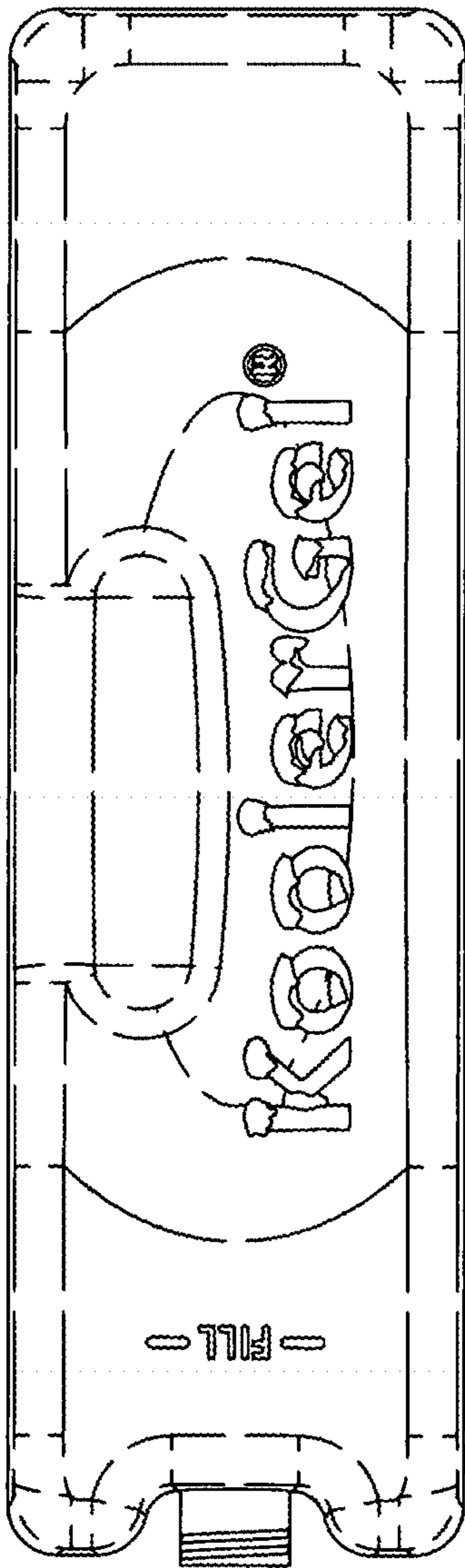


FIGURE 3

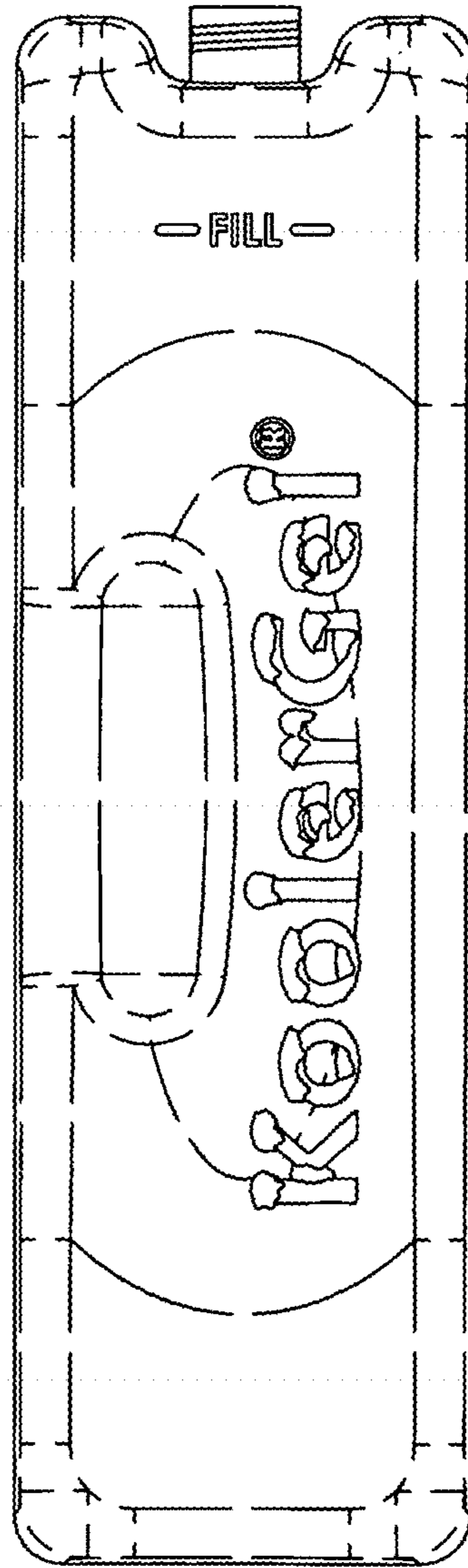


FIGURE 5

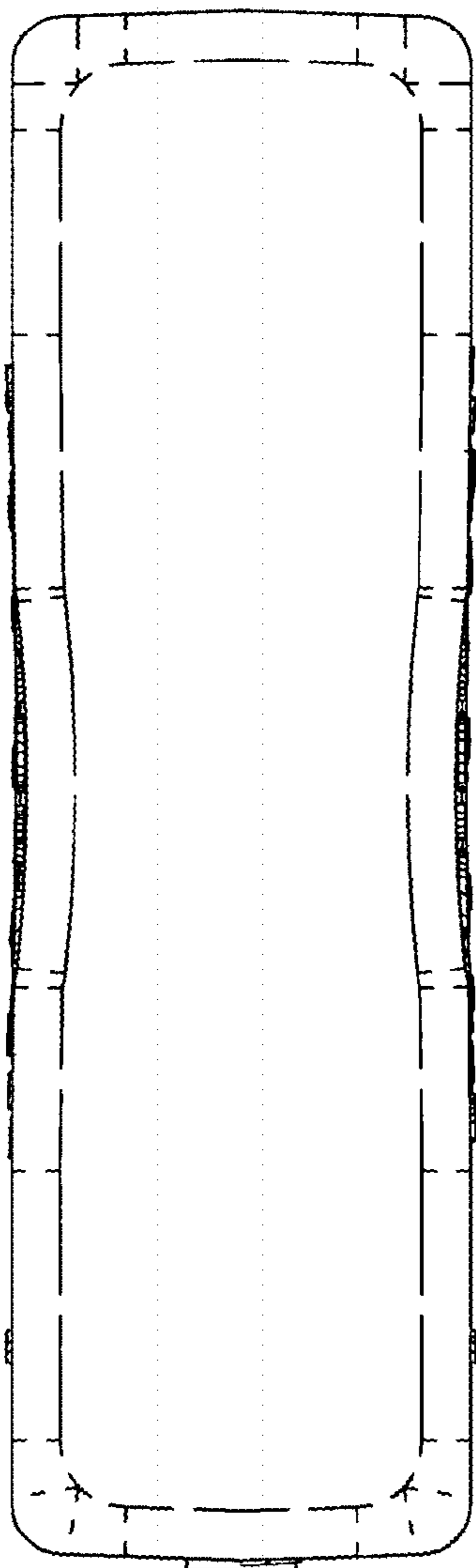


FIGURE 7

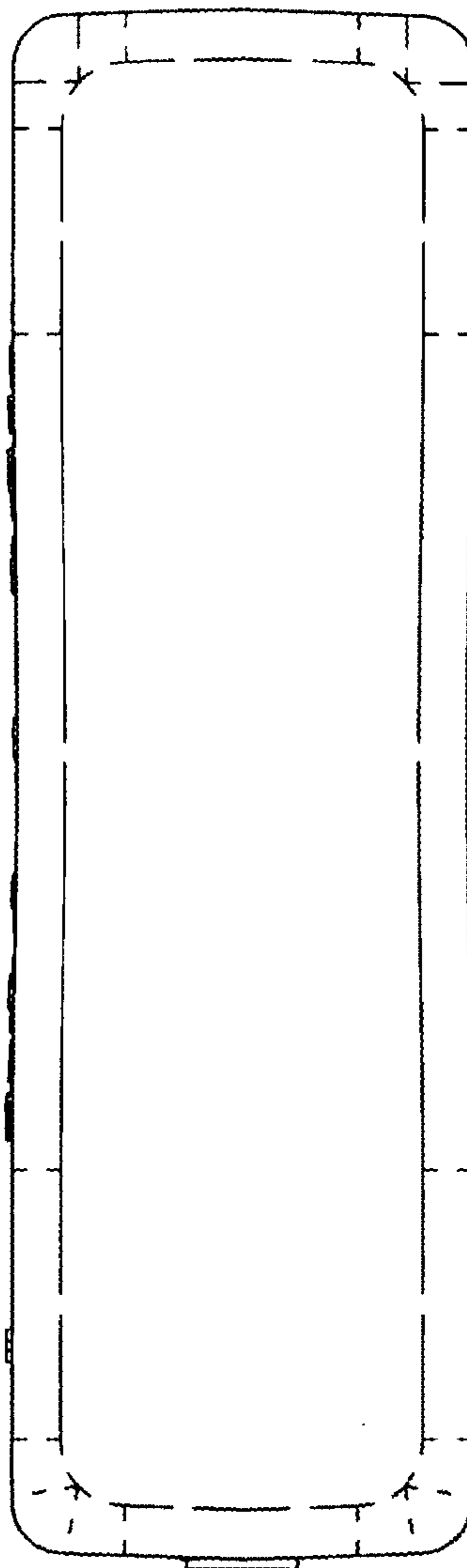


FIGURE 8