



US00D762746S

(12) **United States Design Patent**
Heck et al.

(10) **Patent No.:** **US D762,746 S**
(45) **Date of Patent:** **** Aug. 2, 2016**

(54) **SUPPORT FOR REFRIGERATOR**

(71) Applicant: **Samsung Electronics Co., Ltd.**,
Suwon-si, Gyeonggi-do (KR)

(72) Inventors: **Felix Heck**, London (GB); **Ju-Suek Lee**,
London (GB); **Yu-Na Oh**, London (GB)

(73) Assignee: **SAMSUNG ELECTRONICS CO.,
LTD.**, Suwon-Si, Gyeonggi-Do (KR)

(**) Term: **14 Years**

(21) Appl. No.: **29/521,037**

(22) Filed: **Mar. 19, 2015**

(30) **Foreign Application Priority Data**

Sep. 19, 2014 (KR) 30-2014-0045548

(51) **LOC (10) Cl.** **15-07**

(52) **U.S. Cl.**
USPC **D15/89**

(58) **Field of Classification Search**
USPC D15/79, 81, 84, 85, 86, 88, 89, 91;
D32/25
CPC F25D 2323/02; F25D 2323/021; F25D
2317/06; F25D 2317/062; F25D 2323/121;
F25D 2323/122; F25D 2331/806; F25D
2400/36; F25D 13/02; F25D 13/04; F25D
11/02; F25D 11/025
See application file for complete search history.

(56) **References Cited**

U.S. PATENT DOCUMENTS

D102,839 S * 1/1937 Morley et al. D15/89
D358,404 S * 5/1995 Andrews D15/89
D449,624 S 10/2001 Yu
D466,725 S * 12/2002 Masciale D32/25
D714,840 S * 10/2014 Yang D15/89

D744,013 S * 11/2015 Pfaff D15/89
D751,126 S * 3/2016 Pfaff D15/89
D751,318 S * 3/2016 Kraemer D6/525

FOREIGN PATENT DOCUMENTS

EM 000967476-0003 8/2008
KR 300424141 9/2006
KR 300573221 9/2010

OTHER PUBLICATIONS

KR300424141_Translation.
KR300573221_Translation.
CI_ConServ_Refrigerator <http://www.apartmenttherapy.com/the-conserv-ref-1653>.

* cited by examiner

Primary Examiner — Daniel Bui
Assistant Examiner — Khawaja Anwar
(74) *Attorney, Agent, or Firm* — Ladas & Parry LLP

(57) **CLAIM**

The ornamental design for support for refrigerator, as shown and described.

DESCRIPTION

FIG. 1 is a perspective view of a support for refrigerator, showing our new design;
FIG. 2 is a front elevation view thereof;
FIG. 3 is rear elevation view thereof;
FIG. 4 is a left side elevation view thereof;
FIG. 5 is a right side elevation view thereof;
FIG. 6 is a top plan view thereof;
FIG. 7 is a bottom plan view thereof; and,
FIG. 8 is another perspective view thereof, in use condition.
The broken lines are for environmental purposes only and form no part of the claimed design.

1 Claim, 5 Drawing Sheets

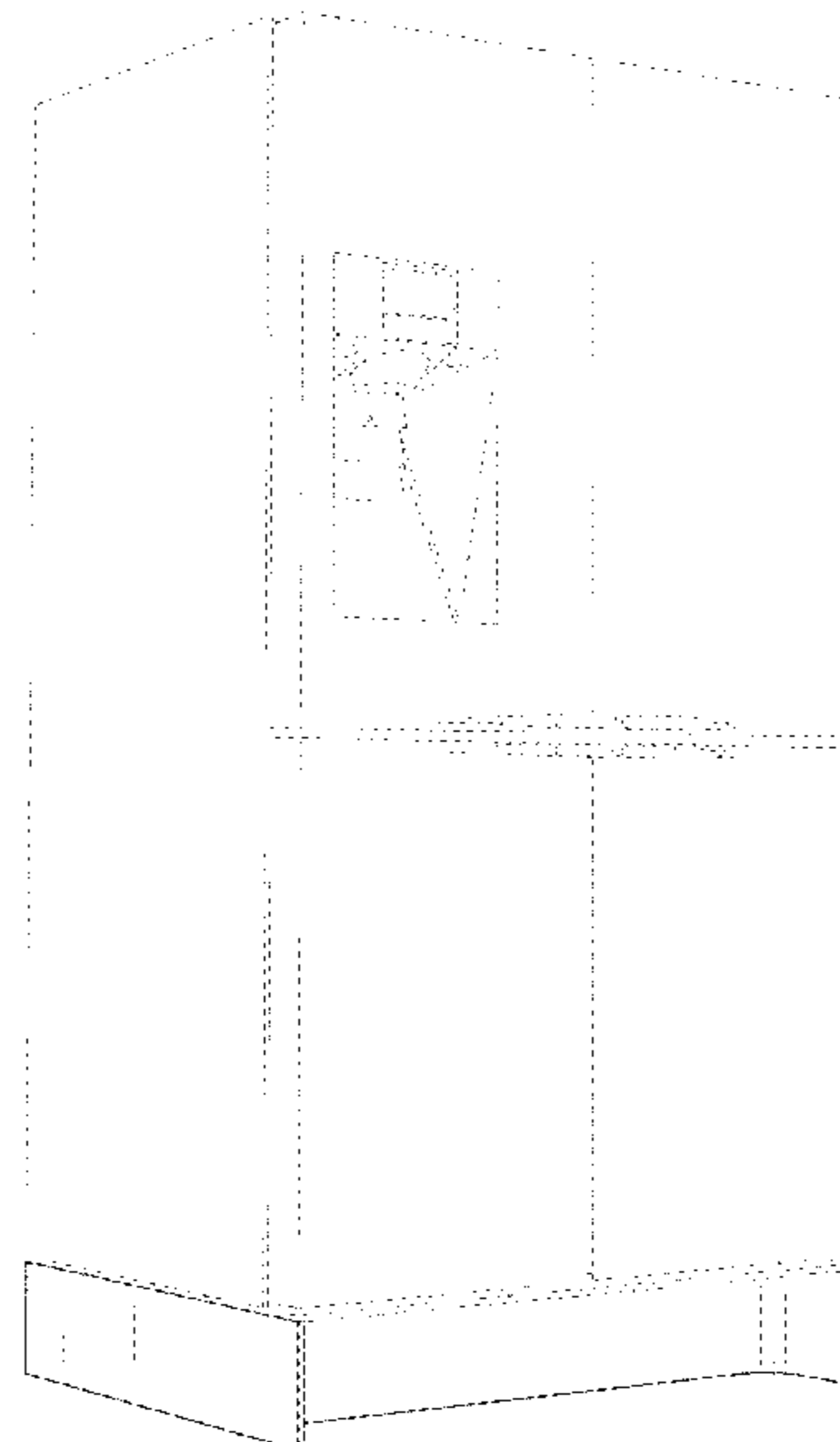
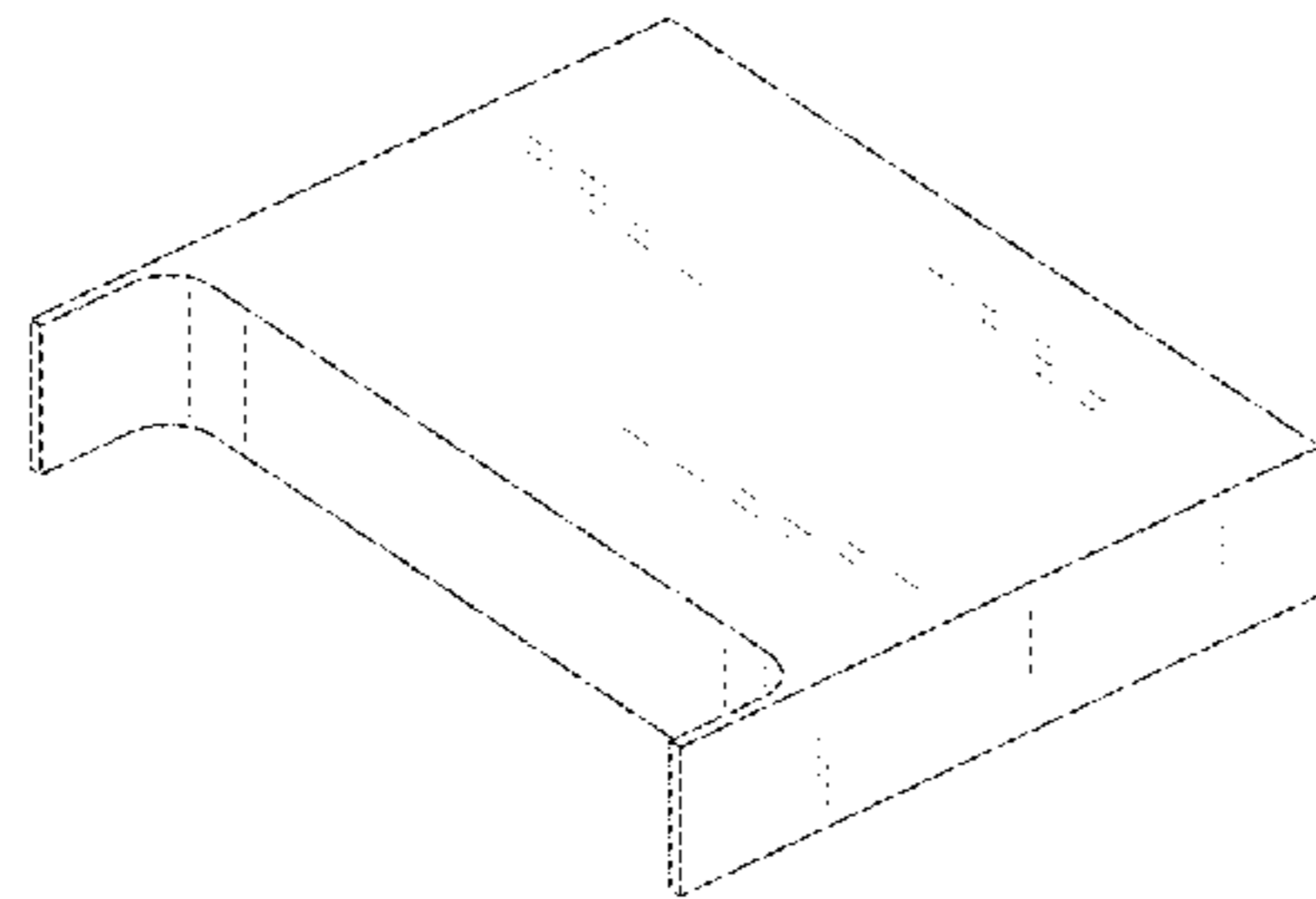


FIG. 1

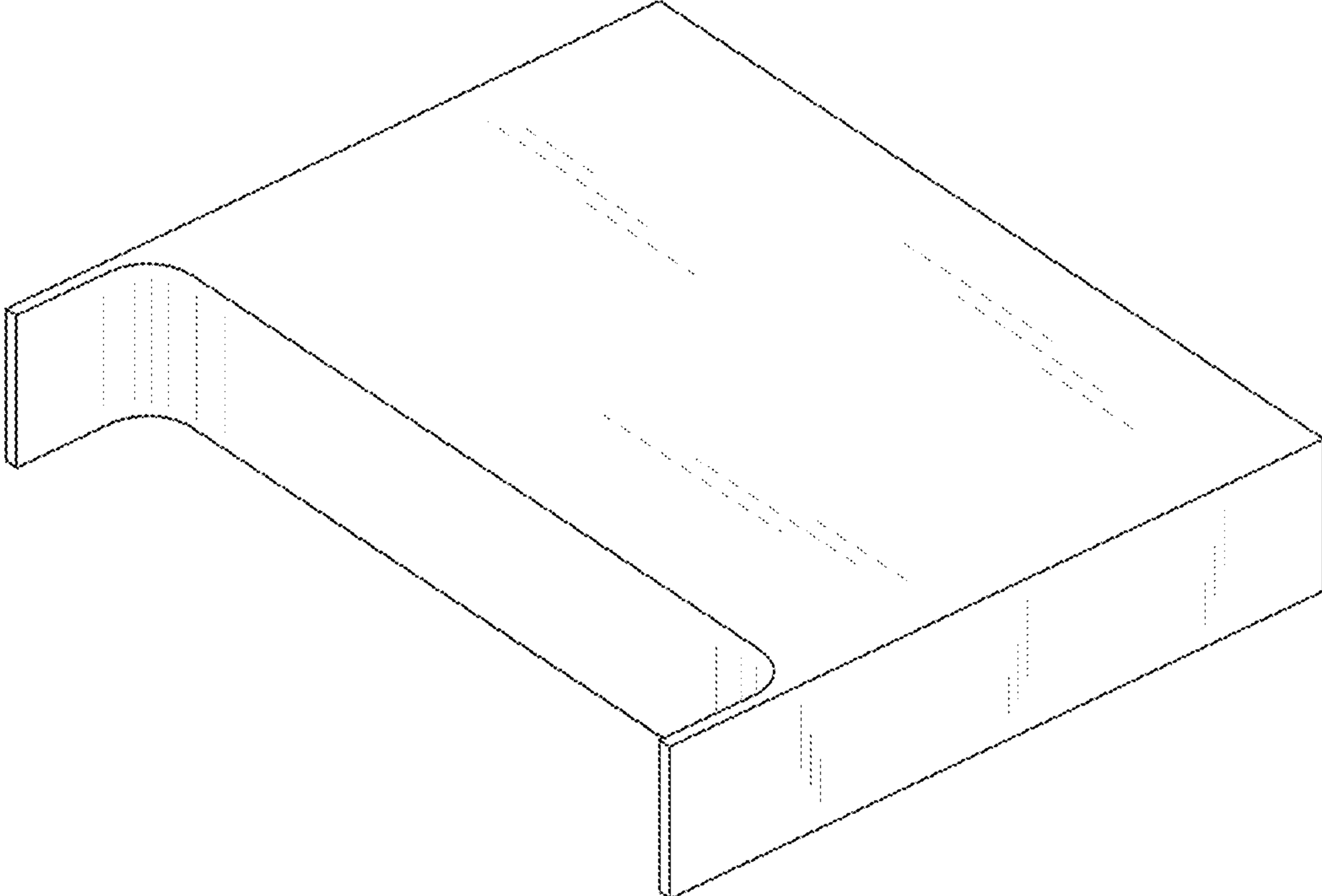


FIG. 2

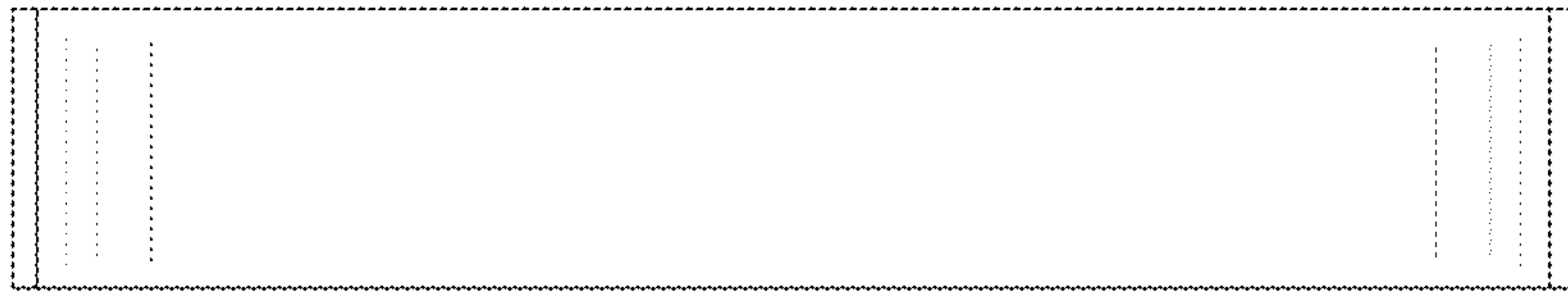


FIG. 3

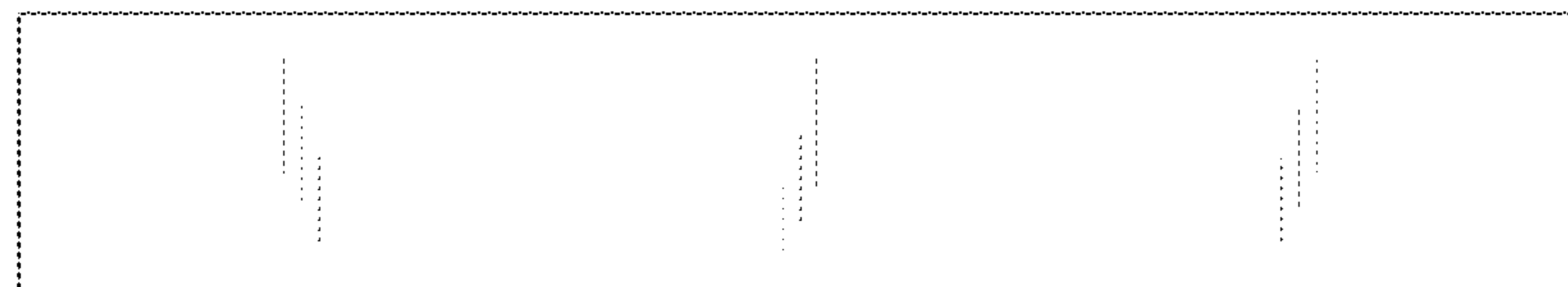


FIG. 4

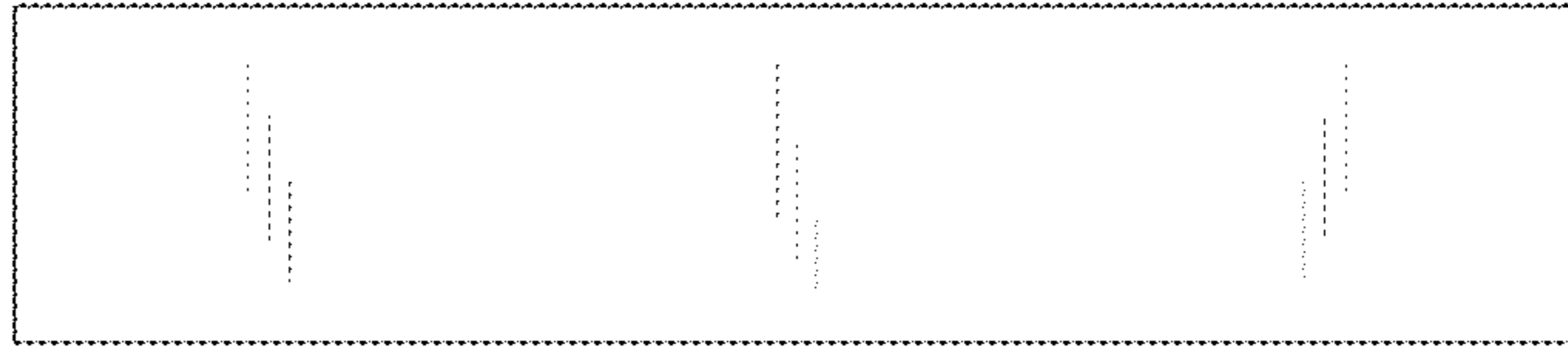


FIG. 5

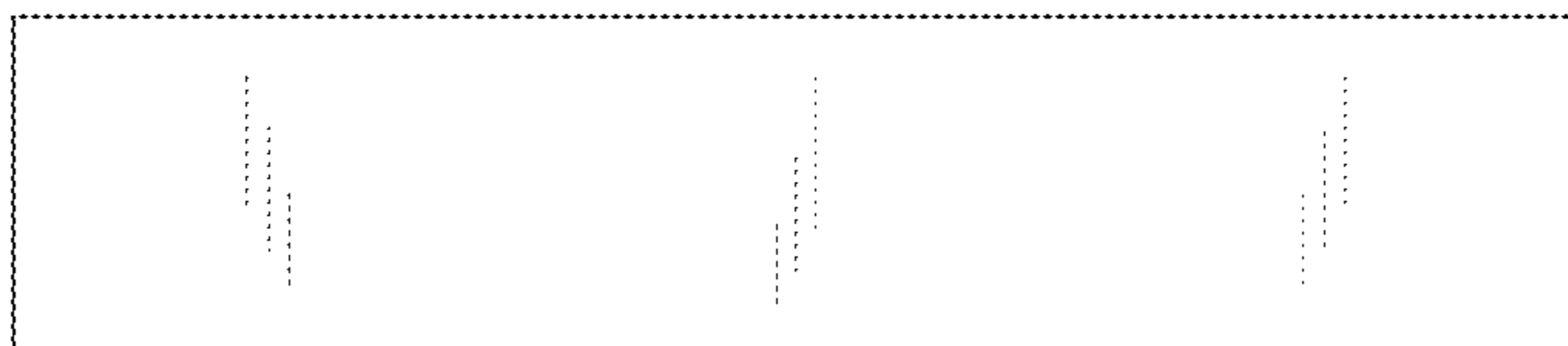


FIG. 6



FIG. 7



FIG. 8

