



US00D762744S

(12) **United States Design Patent**  
**Tissi**

(10) **Patent No.:** **US D762,744 S**  
(45) **Date of Patent:** **\*\* Aug. 2, 2016**

(54) **CONTAINER FOR KEEPING ITEMS COOL**

(71) Applicant: **REP IP AG**, Zug (CH)

(72) Inventor: **Severine Tissi**, Zug (CH)

(73) Assignee: **REP IP AG**, Zug (CH)

(\*\*) Term: **14 Years**

(21) Appl. No.: **29/518,035**

(22) Filed: **Feb. 19, 2015**

(30) **Foreign Application Priority Data**

Aug. 19, 2014 (CH) ..... 140911

(51) **LOC (10) Cl.** ..... **15-07**

(52) **U.S. Cl.**  
USPC ..... **D15/81**

(58) **Field of Classification Search**  
USPC ..... D15/79-91  
CPC ..... F25D 23/028; F25D 23/02; F25D 25/025;  
F25D 23/00; F25D 2323/021; F25D 11/00;  
F25D 2323/024; F25D 23/04; F25D 29/00;  
F25D 25/02; F25D 25/024; F25D 27/005;  
F25D 23/12; F25D 29/005; F25D 17/042;  
F25D 2325/021

See application file for complete search history.

(56) **References Cited**

**U.S. PATENT DOCUMENTS**

D477,000 S \* 7/2003 Aldous ..... D15/81  
D653,682 S \* 2/2012 Herning ..... D15/80

D668,272 S \* 10/2012 Ebelt ..... D15/80  
D701,888 S \* 4/2014 Schumaker ..... D15/81  
D721,745 S \* 1/2015 Davis ..... D15/81

**OTHER PUBLICATIONS**

U.S. Appl. No. 29/491,786, filed May 23, 2014.  
Switzerland Priority Document, Application No. 140288, filed Nov. 25, 2013, 11 pages.

\* cited by examiner

*Primary Examiner* — Daniel Bui

*Assistant Examiner* — Khawaja Anwar

(74) *Attorney, Agent, or Firm* — Meyertons, Hood, Kivlin, Kowert & Goetzel, P.C.; Eric B. Meyertons

(57) **CLAIM**

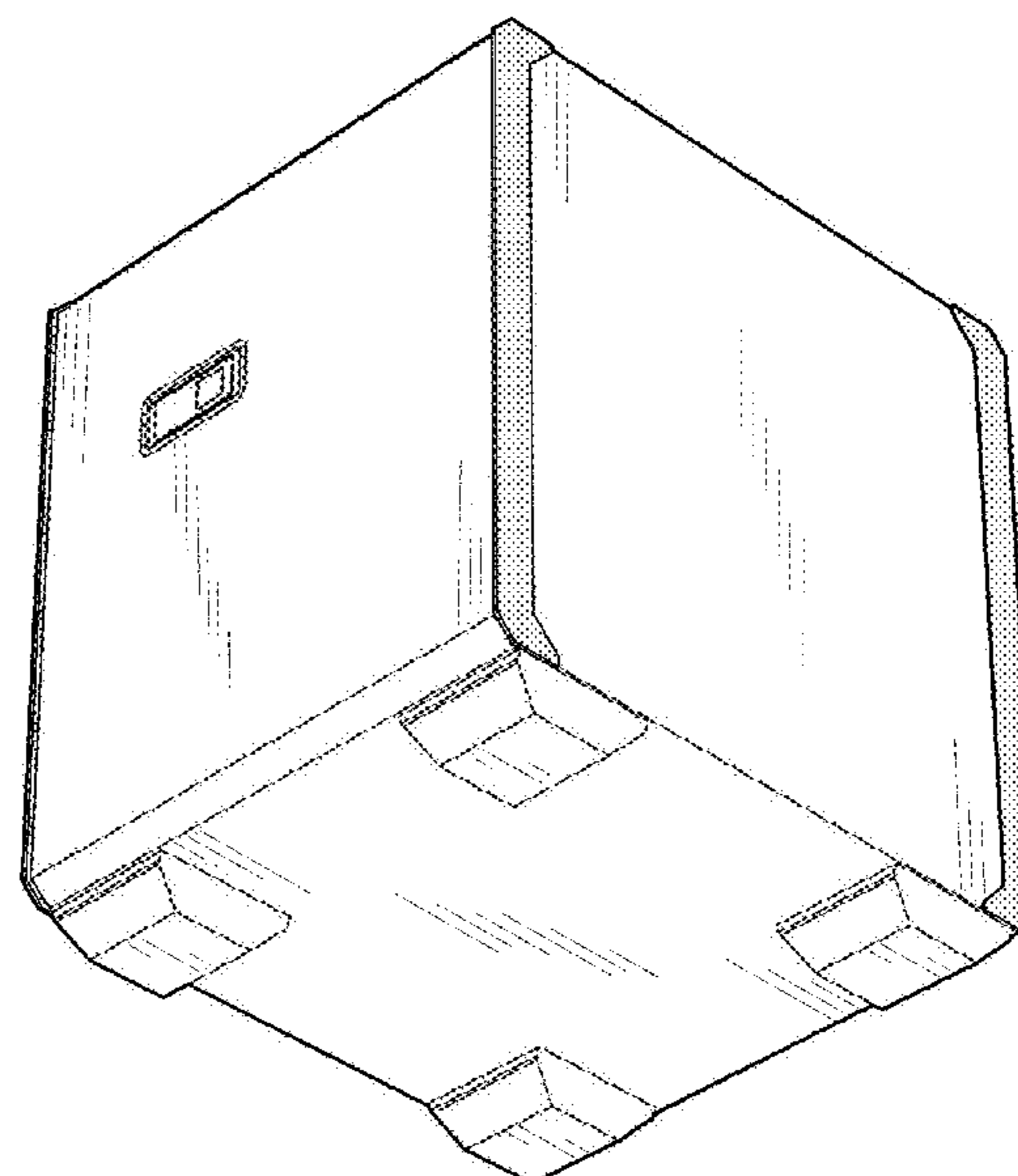
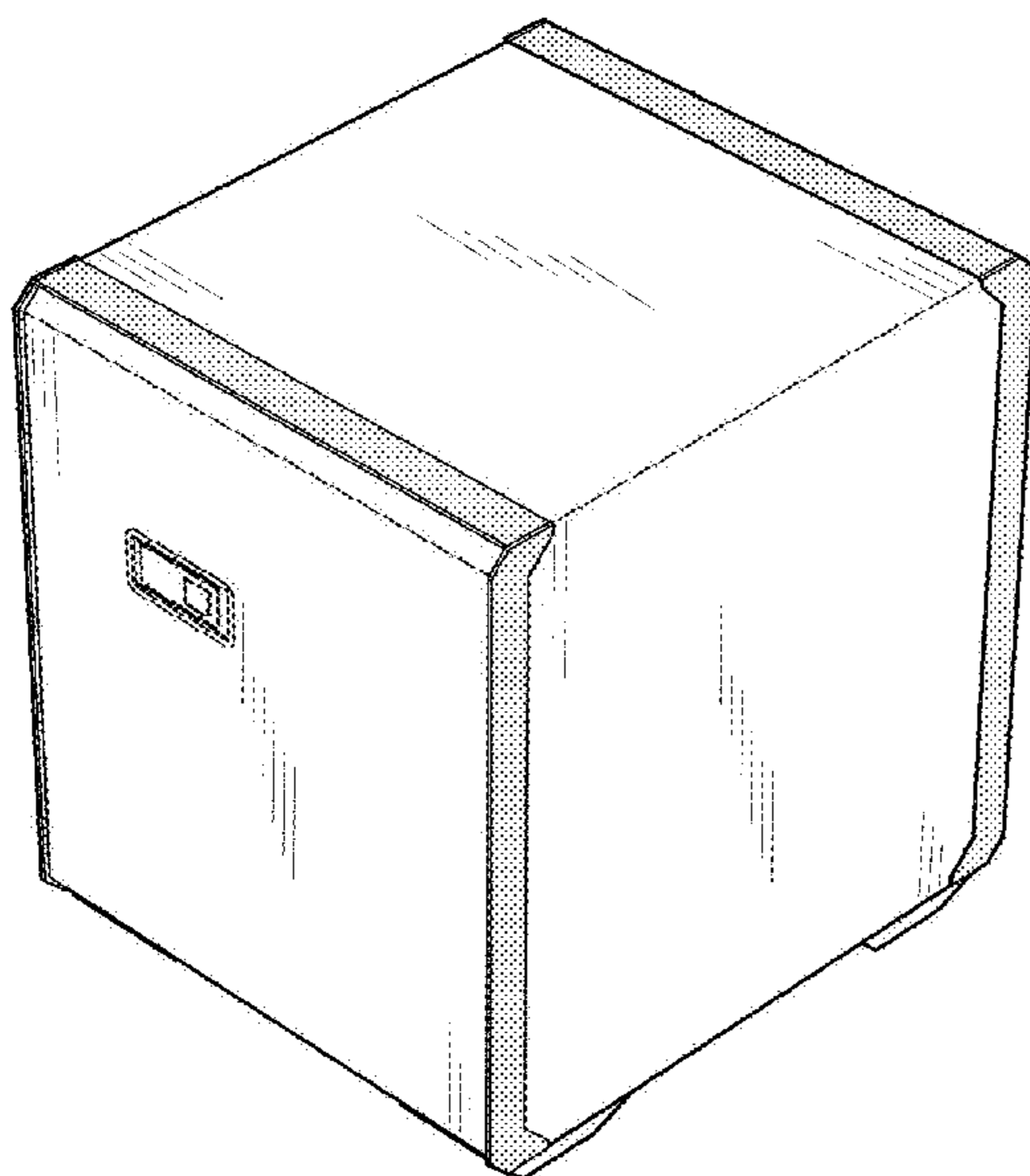
The ornamental design for a container for keeping items cool, as shown and described.

**DESCRIPTION**

FIG. 1 is a front, top perspective view of a container for keeping items cool, showing my new design; FIG. 2 is front, bottom perspective view thereof; FIG. 3 is a rear perspective view thereof; FIG. 4 is a front elevation view thereof; FIG. 5 is a rear elevation view thereof; FIG. 6 is left side elevation view thereof; FIG. 7 is a right side elevation view thereof; FIG. 8 is a top plan view thereof; and, FIG. 9 is a bottom plan view thereof.

The stippling areas represent surfaces that are different from other non-stippling surfaces in the drawing views.

**1 Claim, 6 Drawing Sheets**



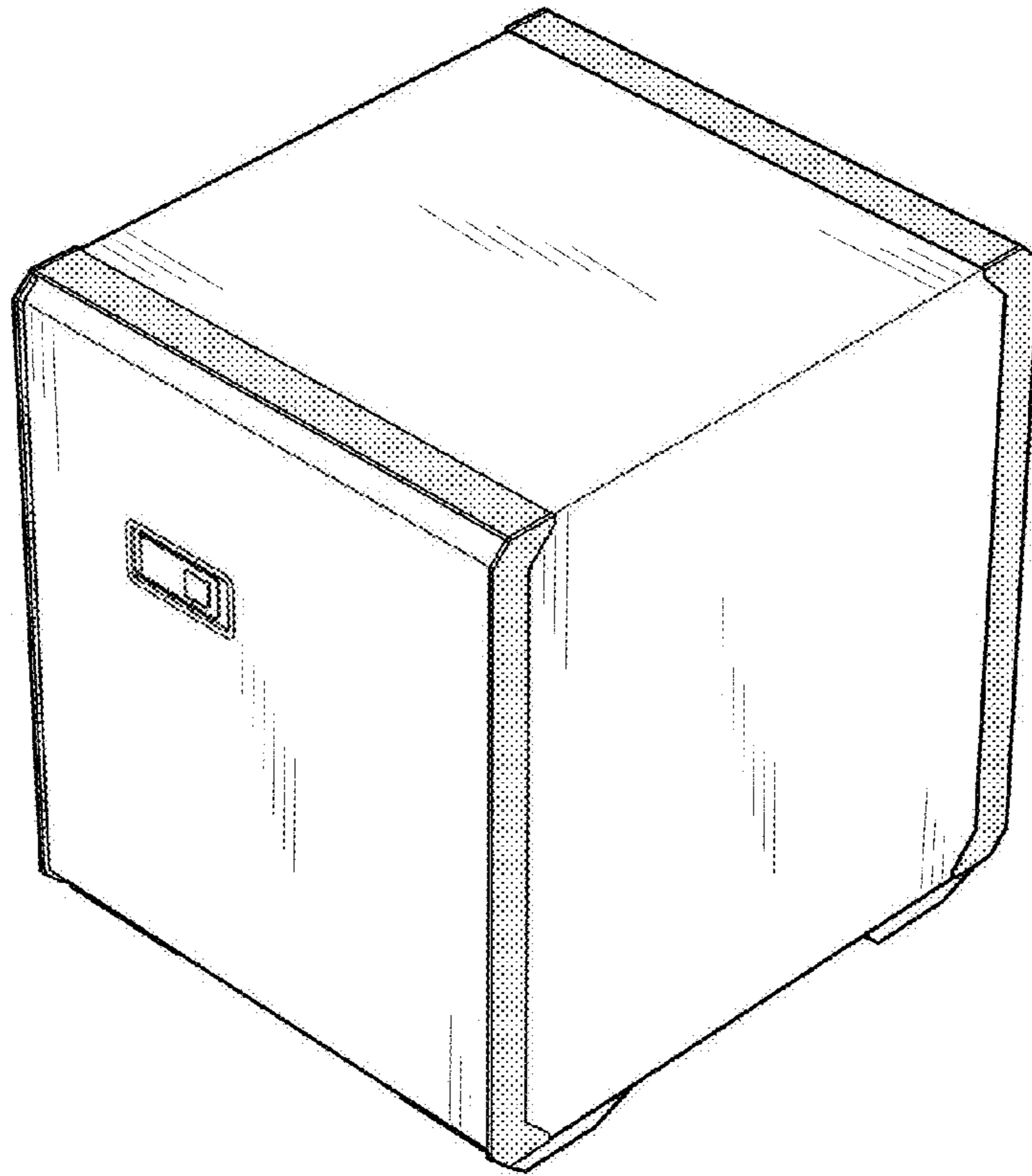


FIG. 1

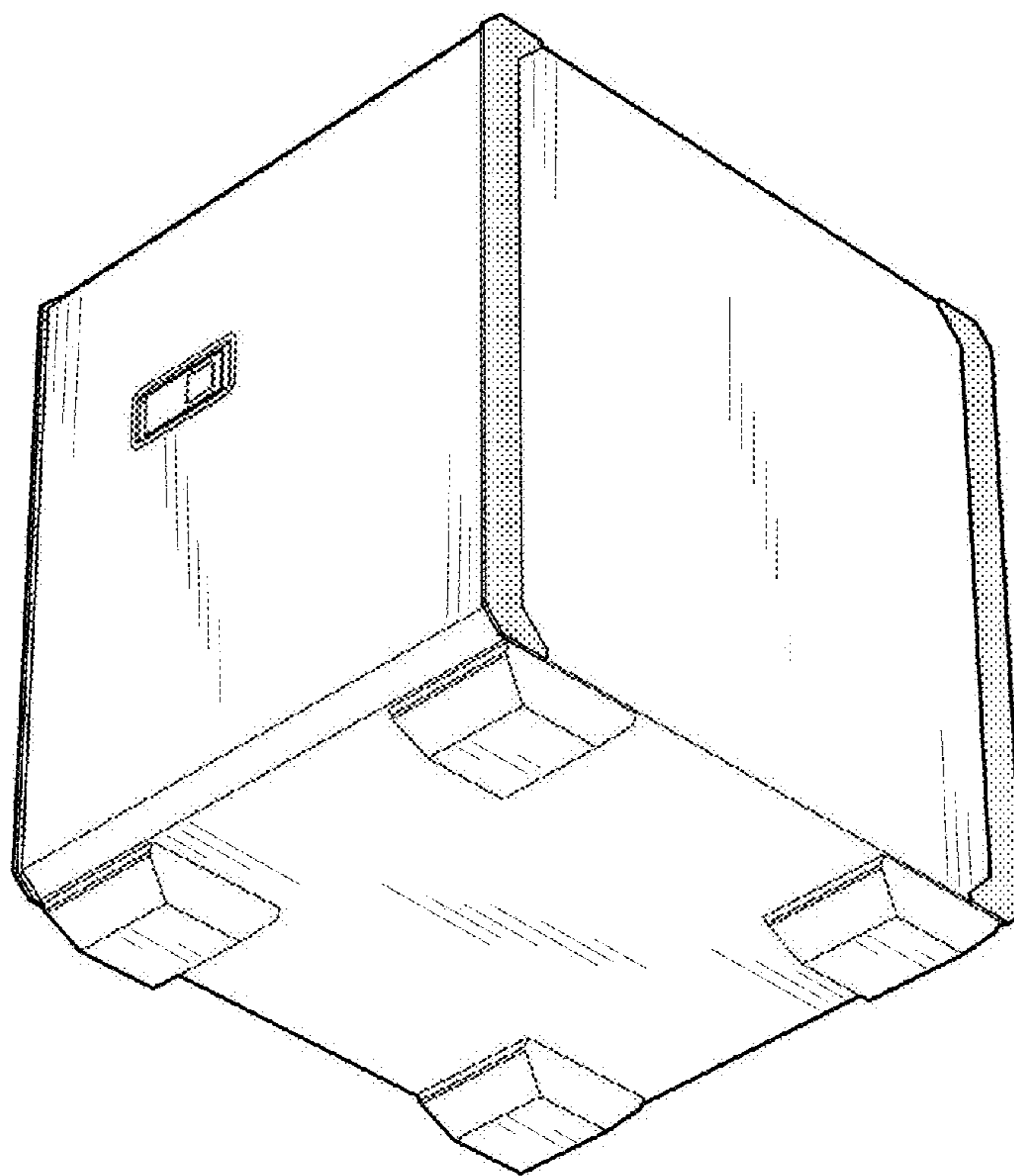


FIG. 2

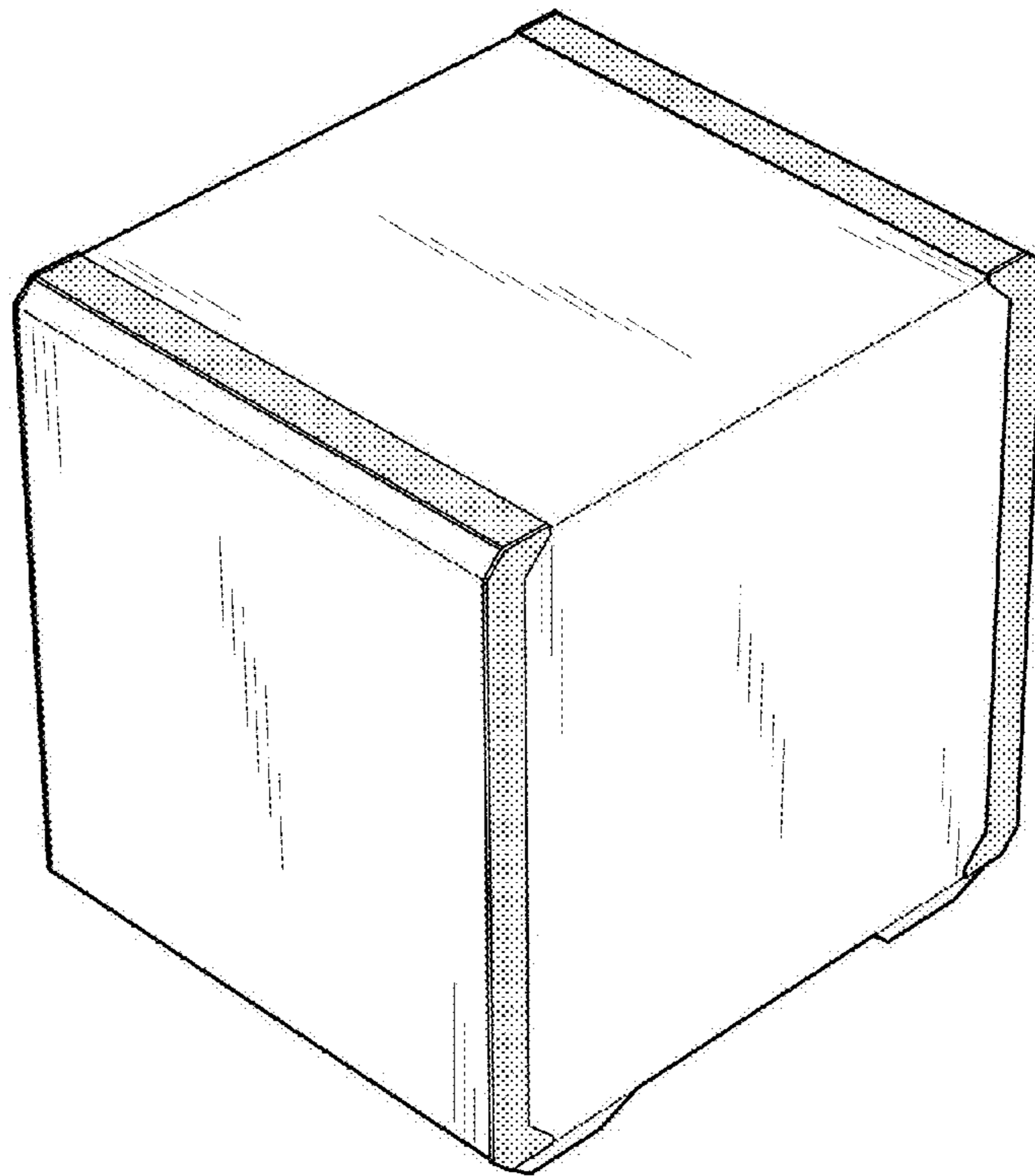


FIG. 3

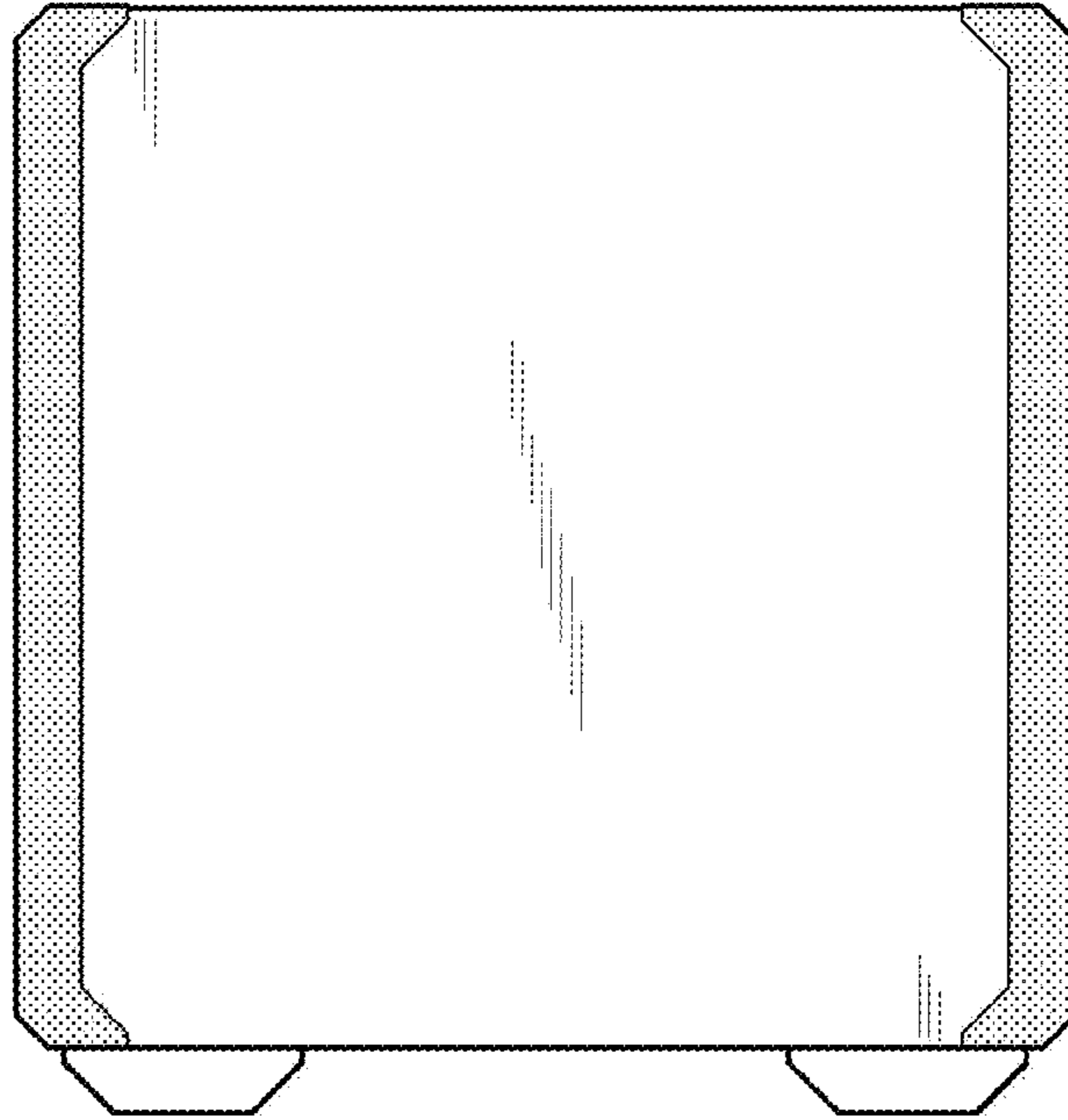


FIG. 4

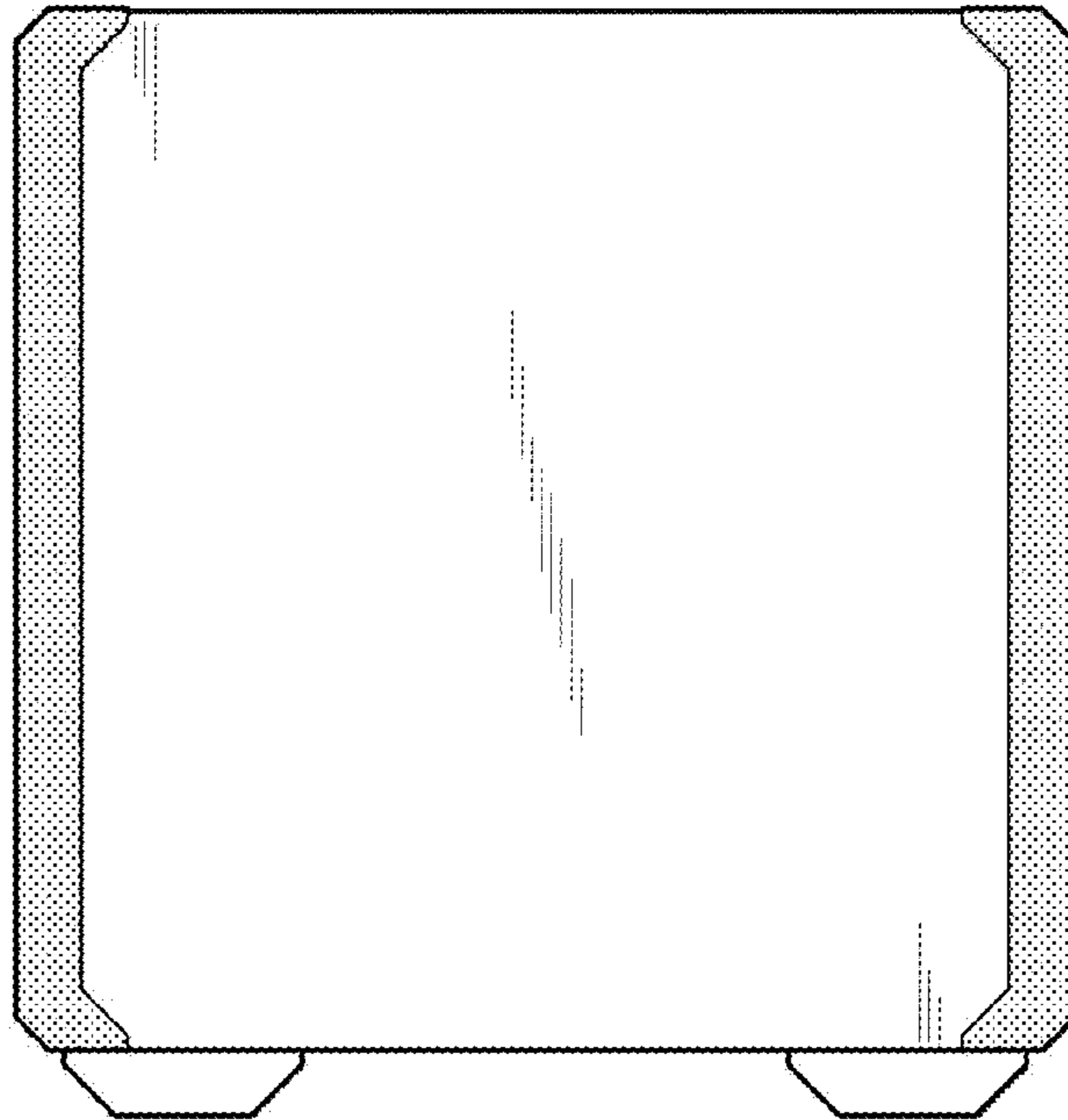


FIG. 5

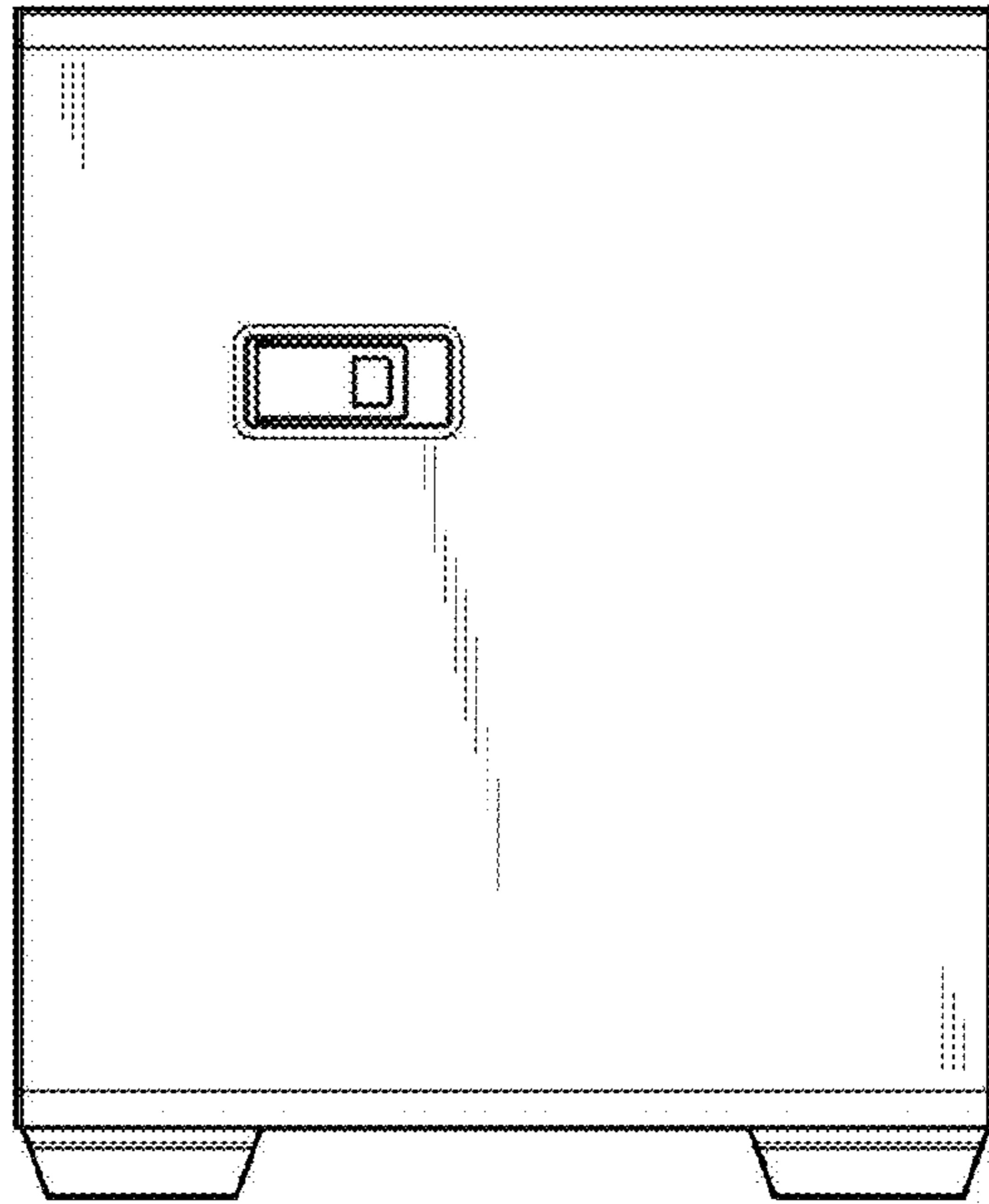


FIG. 6

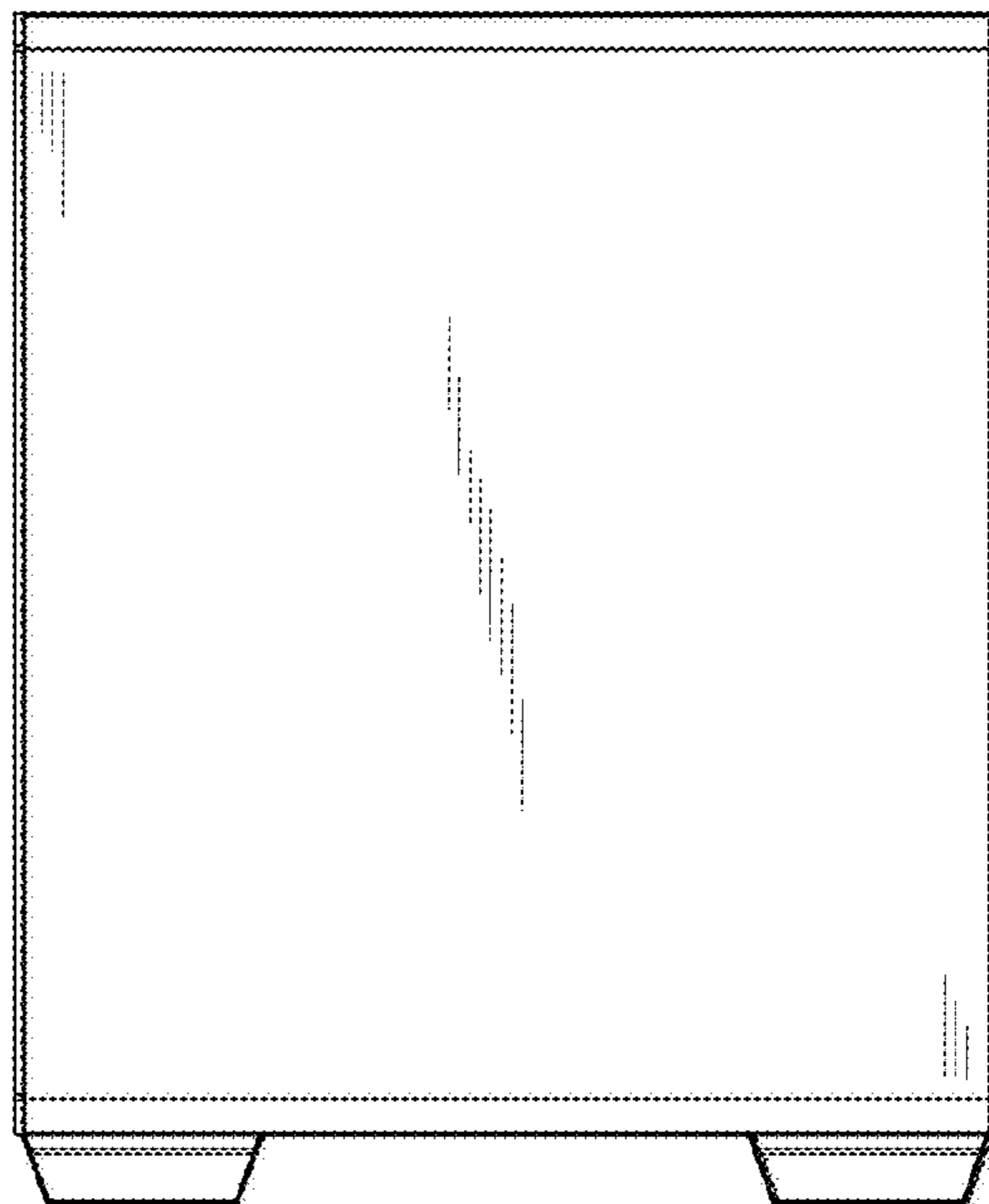


FIG. 7

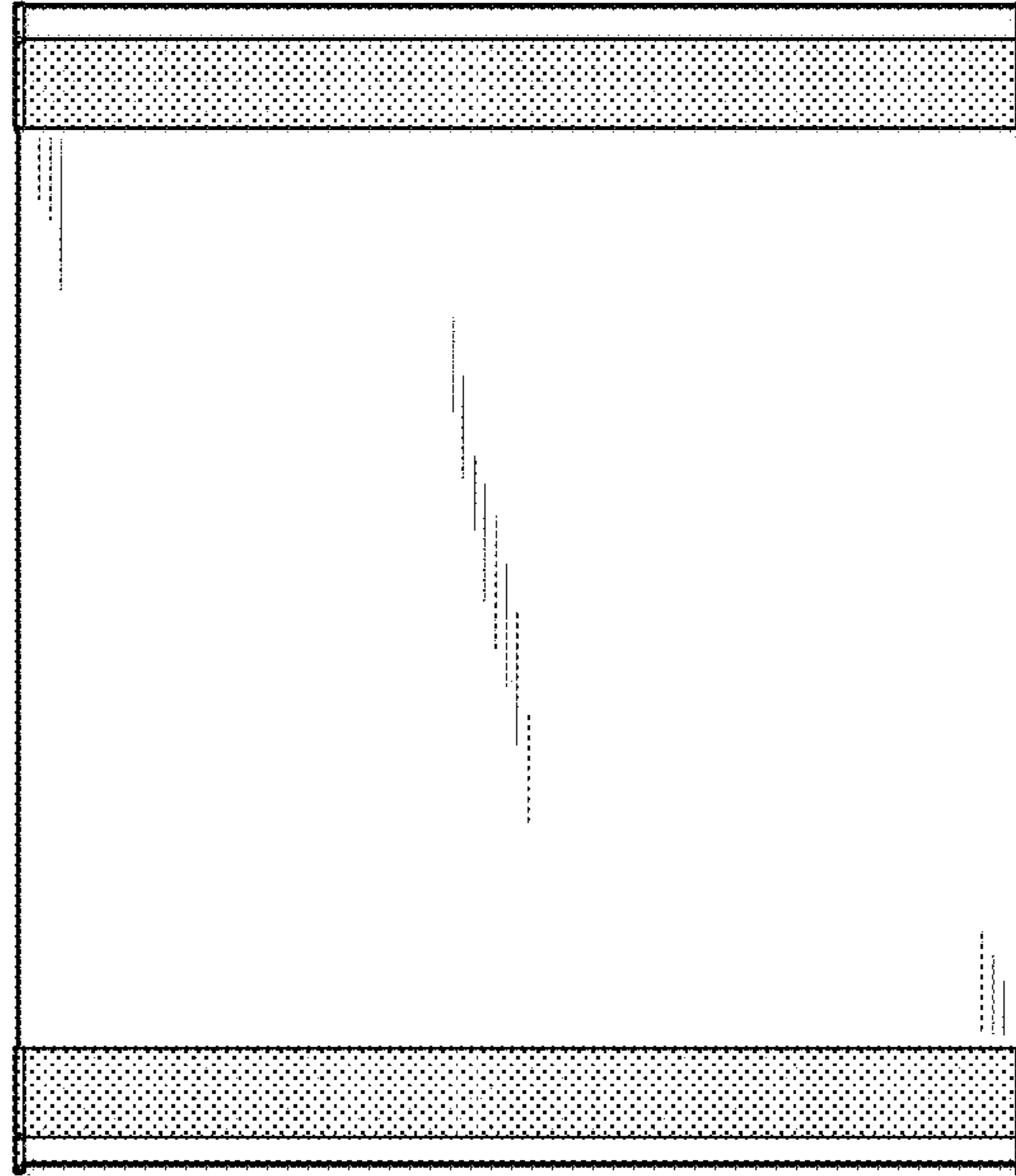


FIG. 8

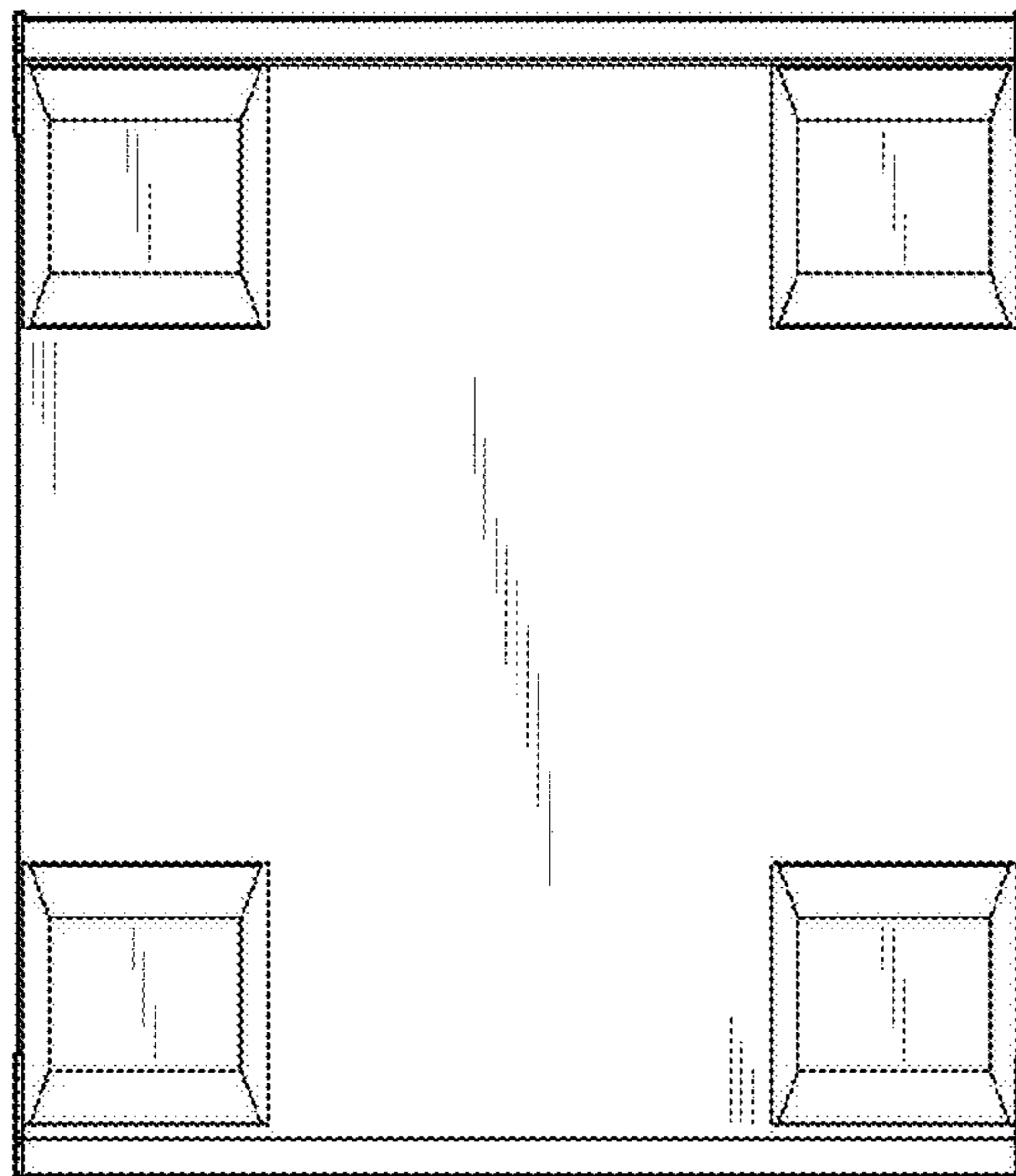


FIG. 9