



US00D762740S

(12) **United States Design Patent**  
**Okuyama et al.**

(10) **Patent No.:** **US D762,740 S**

(45) **Date of Patent:** **\*\* Aug. 2, 2016**

(54) **WHEEL LOADER**

(71) Applicant: **Yanmar Co., Ltd.**, Osaka-shi (JP)

(72) Inventors: **Kiyoyuki Okuyama**, Yamagata (JP);  
**Satoshi Kitahara**, Chikugo (JP);  
**Nagahiro Ogata**, Chikugo (JP);  
**Tsuyoshi Nakahara**, Chikugo (JP);  
**Yoshihisa Ishikawa**, Chikugo (JP)

(73) Assignee: **Yanmar Co., Ltd.**, Osaka-shi (JP)

(\*\*) Term: **14 Years**

(21) Appl. No.: **29/519,374**

(22) Filed: **Mar. 4, 2015**

(30) **Foreign Application Priority Data**

Sep. 5, 2014 (JP) ..... D2014-019750

(51) **LOC (10) Cl.** ..... **15-03**

(52) **U.S. Cl.**  
USPC ..... **D15/31; D15/28**

(58) **Field of Classification Search**  
USPC ..... D15/10, 22-26, 33, 28, 31; D21/431;  
37/403, 409, 442, 443; 180/89.1,  
180/89.12, 89.13; 296/190.03; 414/685,  
414/694, 722, 724  
CPC ..... E02F 9/0841; E02F 3/3411; E02F 3/76;  
E02F 3/34; E02F 3/00; E02F 7/00; B62D  
21/186; B62D 53/028  
See application file for complete search history.

(56) **References Cited**

**U.S. PATENT DOCUMENTS**

5,645,134 A \* 7/1997 Frankel ..... B62D 25/10  
16/277  
D500,056 S \* 12/2004 DeYoung ..... D15/31  
D517,096 S \* 3/2006 Landers ..... D15/28  
D560,050 S \* 1/2008 Tokach ..... D15/31  
D578,274 S \* 10/2008 Tokach ..... D15/31  
7,673,716 B2 \* 3/2010 Moen ..... B62D 25/10  
180/69.2

D624,567 S \* 9/2010 Kelley ..... D15/30  
D626,153 S \* 10/2010 Gavin ..... D15/31  
D632,313 S \* 2/2011 Kelley ..... D15/30  
D633,927 S \* 3/2011 Kelley ..... D15/30  
D635,592 S \* 4/2011 Shimomura ..... D15/28  
7,992,665 B2 \* 8/2011 Giovannini ..... B62D 25/10  
180/69.2  
8,230,960 B2 \* 7/2012 Shoen ..... B62D 25/10  
180/69.2  
D684,605 S \* 6/2013 Hagura ..... D15/28  
D685,006 S \* 6/2013 Hagura ..... D15/17  
D708,233 S \* 7/2014 Furuki ..... D15/28  
8,857,547 B1 \* 10/2014 Shiina ..... E02F 9/0866  
180/68.3  
8,893,840 B2 \* 11/2014 Rogers ..... B62D 25/10  
180/69.2  
2001/0004949 A1 \* 6/2001 Burgo ..... B62D 25/10  
180/69.2  
2006/0000660 A1 \* 1/2006 Moen ..... B62D 25/10  
180/309  
2009/0020349 A1 \* 1/2009 Renard ..... B62D 25/16  
180/69.2  
2012/0325570 A1 \* 12/2012 Rogers ..... B62D 25/10  
180/89.17  
2013/0074410 A1 \* 3/2013 Berkeland ..... B62D 25/12  
49/142

\* cited by examiner

*Primary Examiner* — Mark Goodwin

(74) *Attorney, Agent, or Firm* — Sterne, Kessler, Goldstein & Fox P.L.L.C.

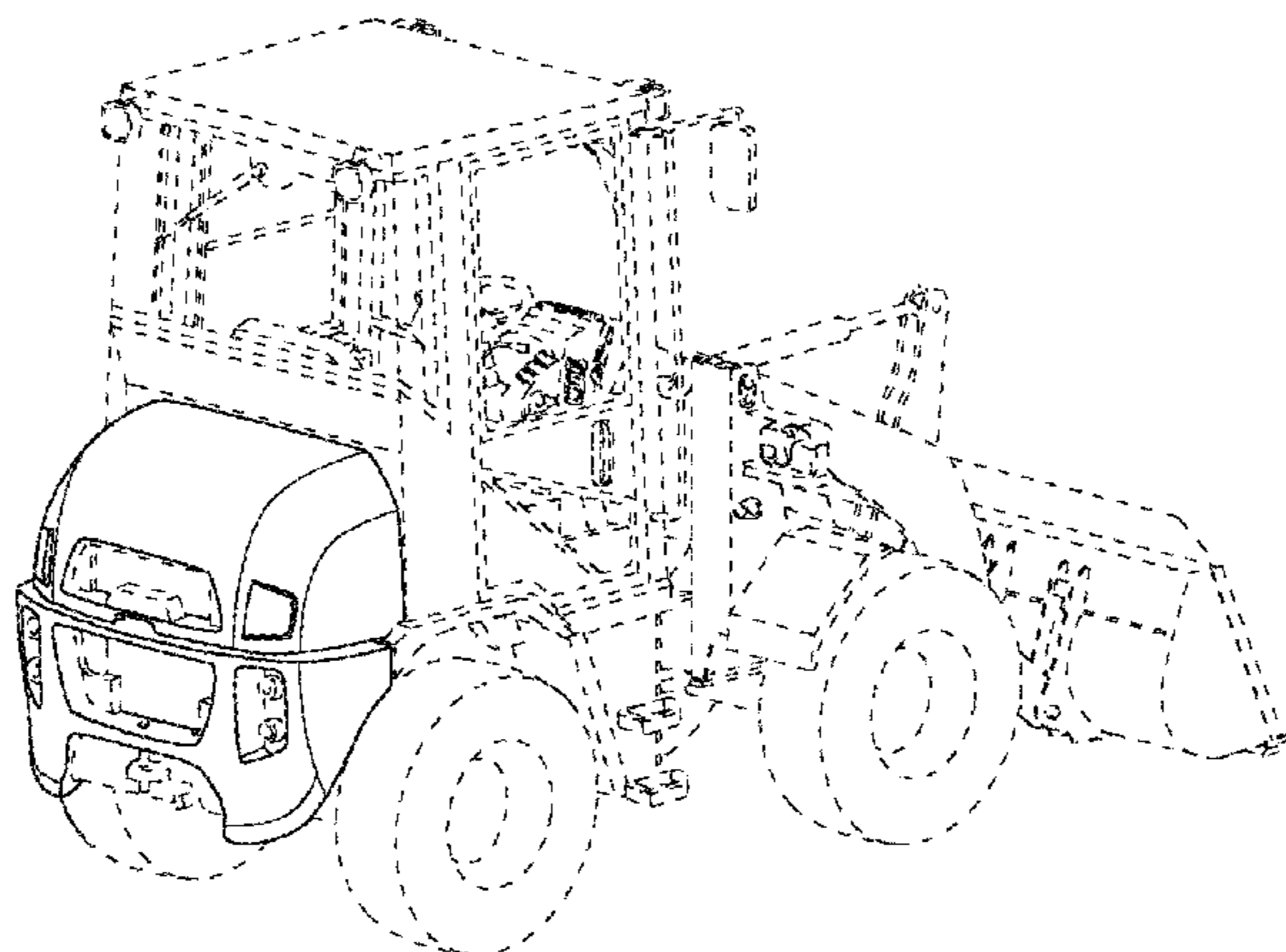
(57) **CLAIM**

The ornamental design for a wheel loader, as shown and described.

**DESCRIPTION**

FIG. 1 is a rear perspective view of a wheel loader showing our new design;  
FIG. 2 is a front view thereof;  
FIG. 3 is a rear view thereof;  
FIG. 4 is a top plan view thereof;  
FIG. 5 is a bottom plan view thereof;  
FIG. 6 is a left side view thereof; and,  
FIG. 7 is a right side view thereof.  
The broken lines in the Figures show portions of the wheel loader that form no part of the claimed design.

**1 Claim, 7 Drawing Sheets**



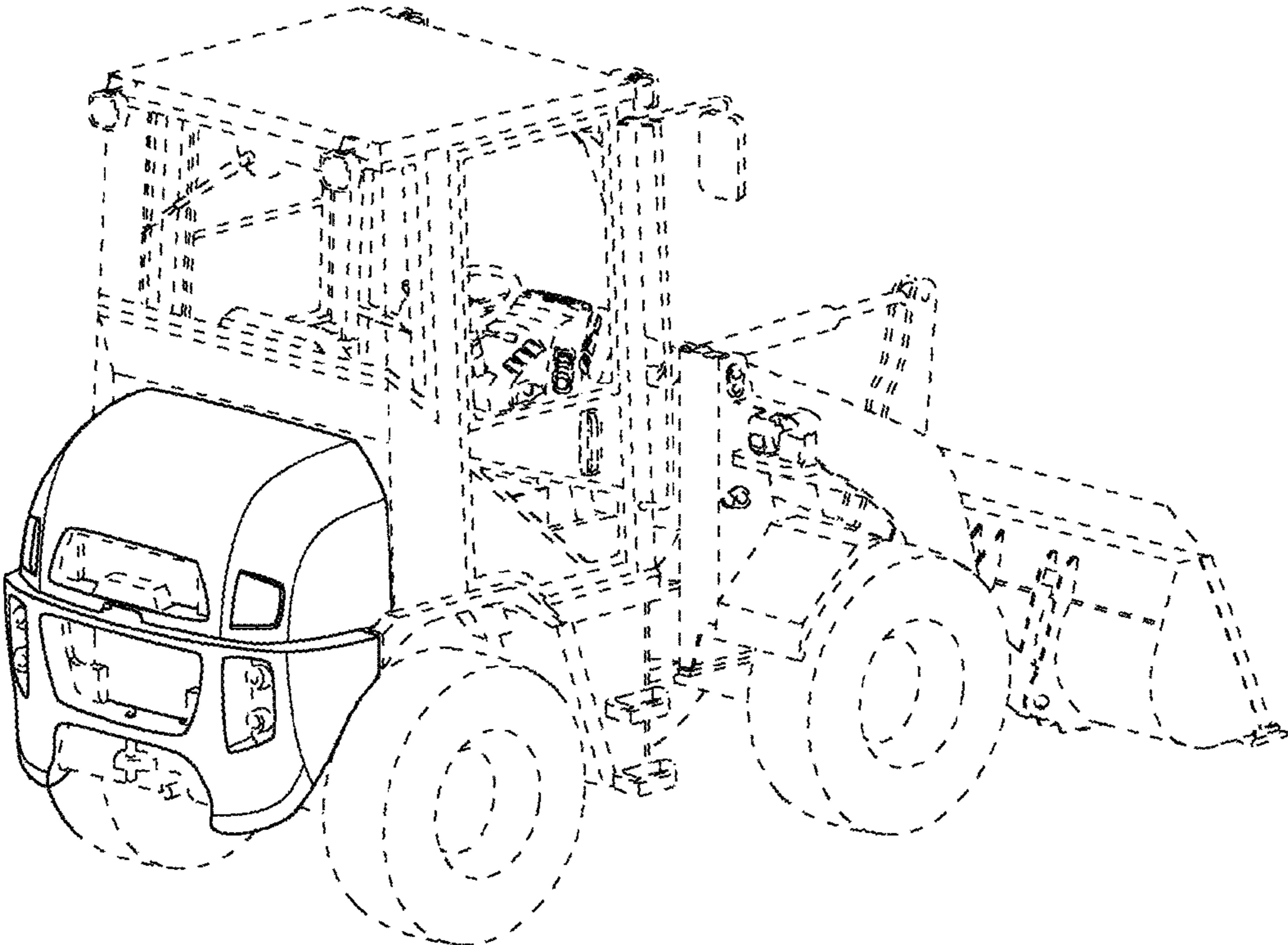


FIG. 1

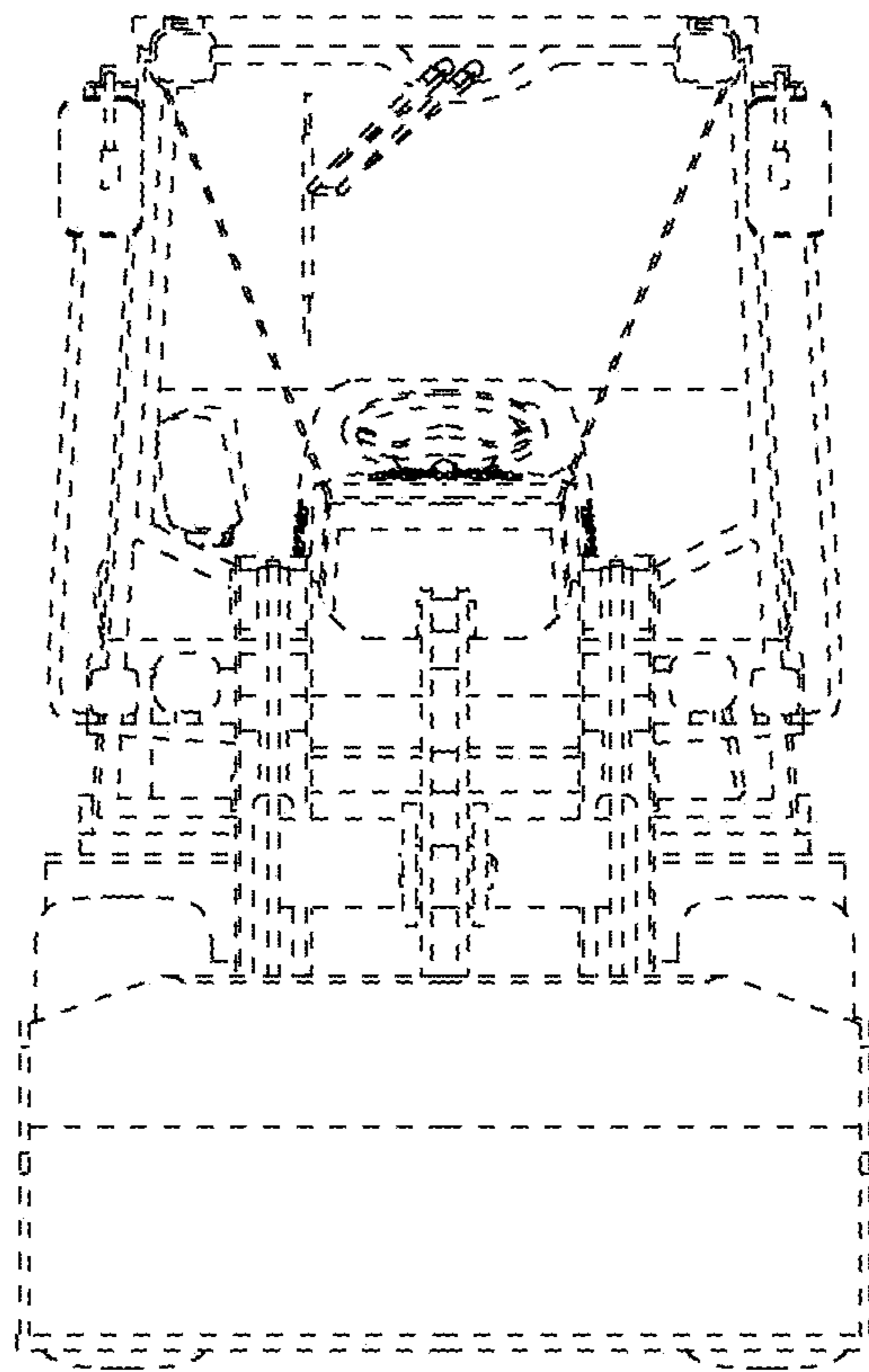


FIG. 2

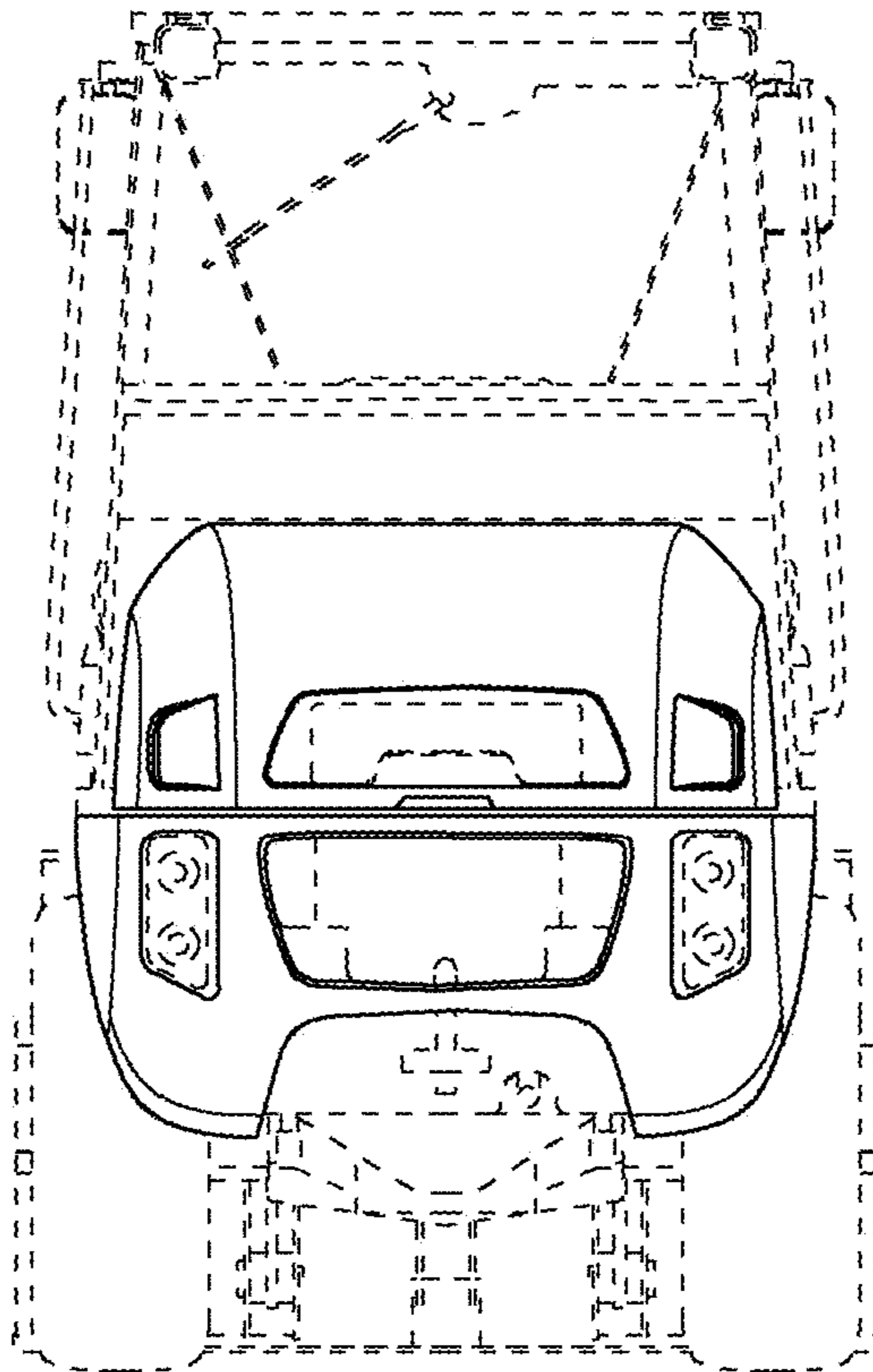


FIG. 3

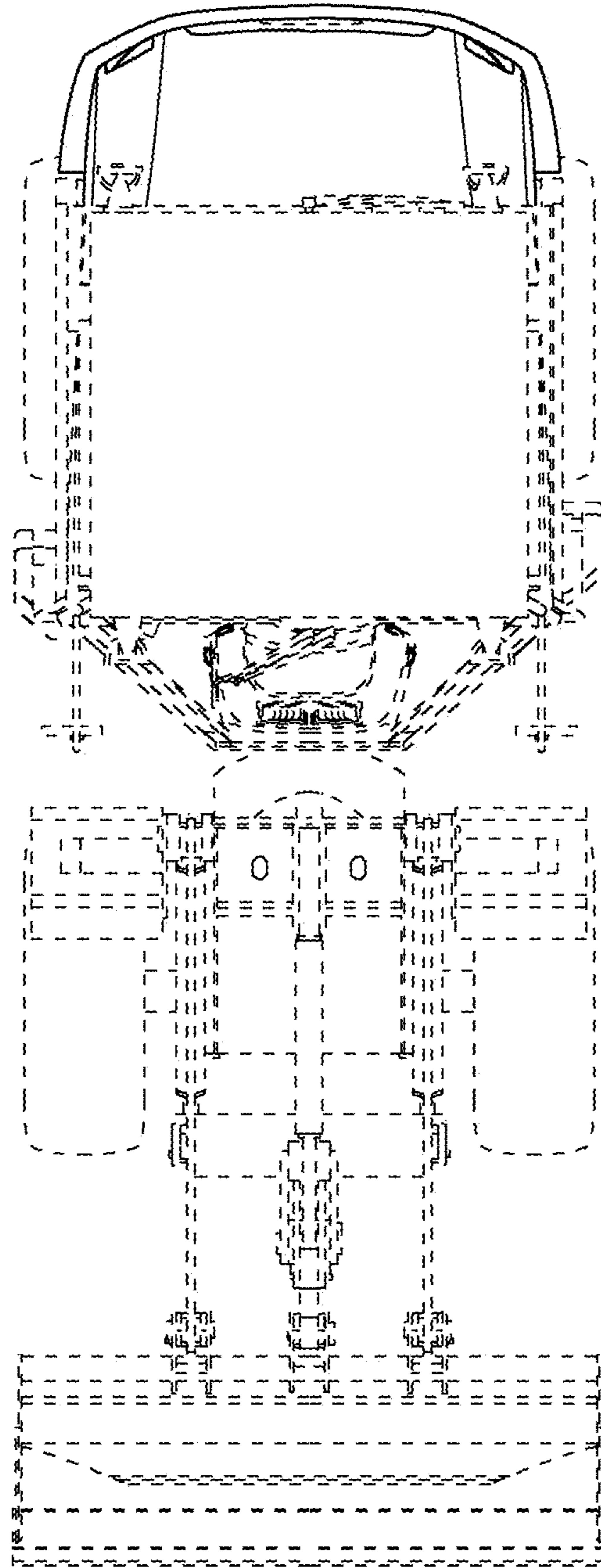


FIG. 4



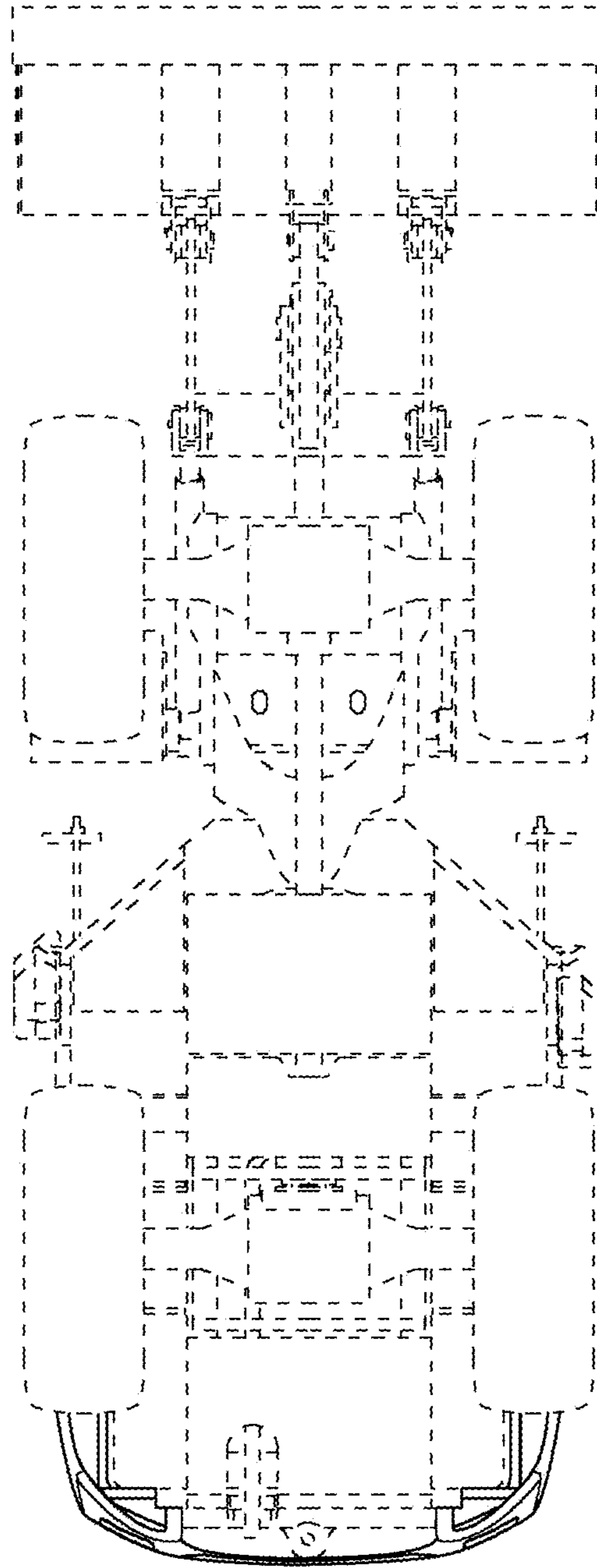


FIG. 5

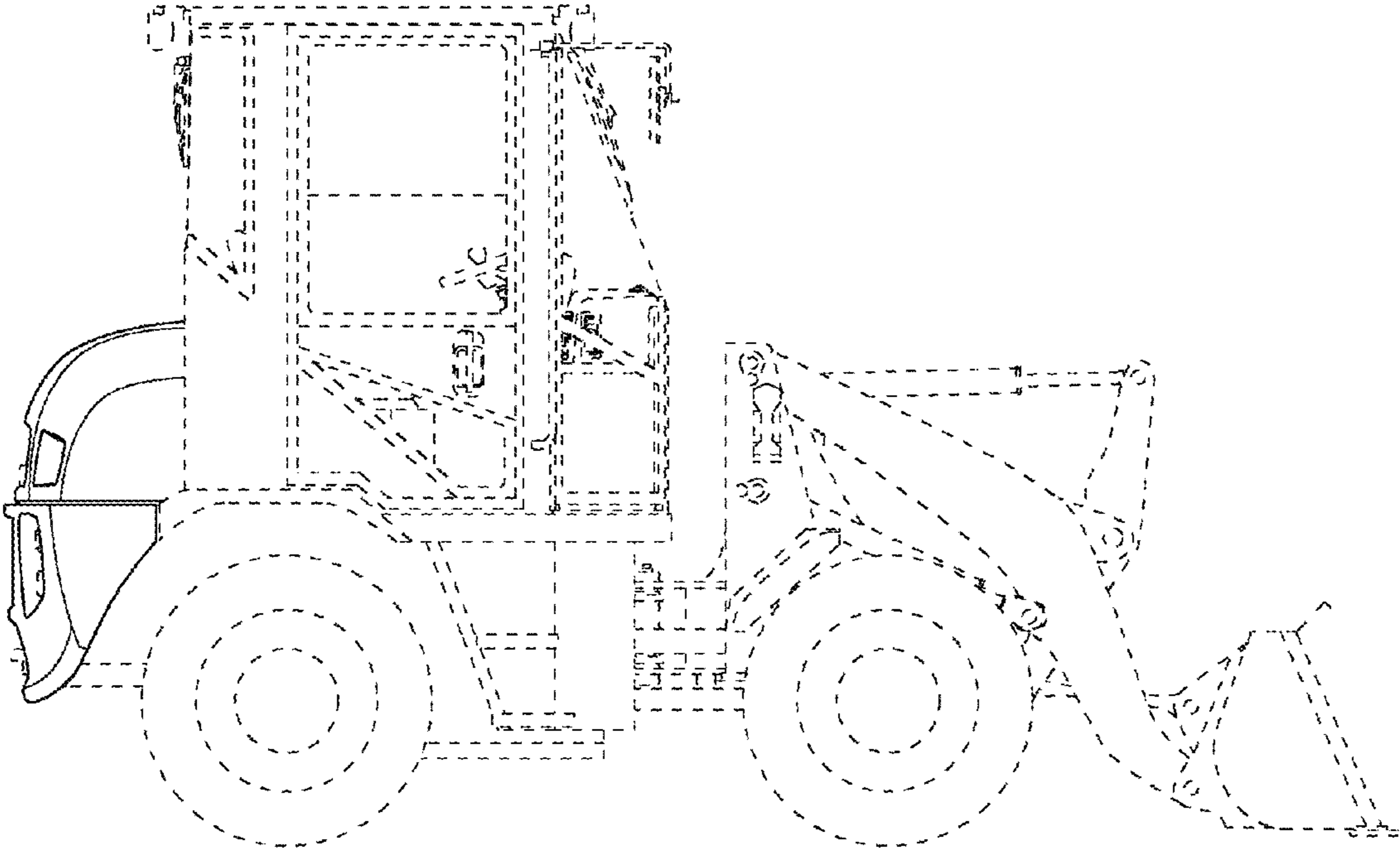


FIG. 6

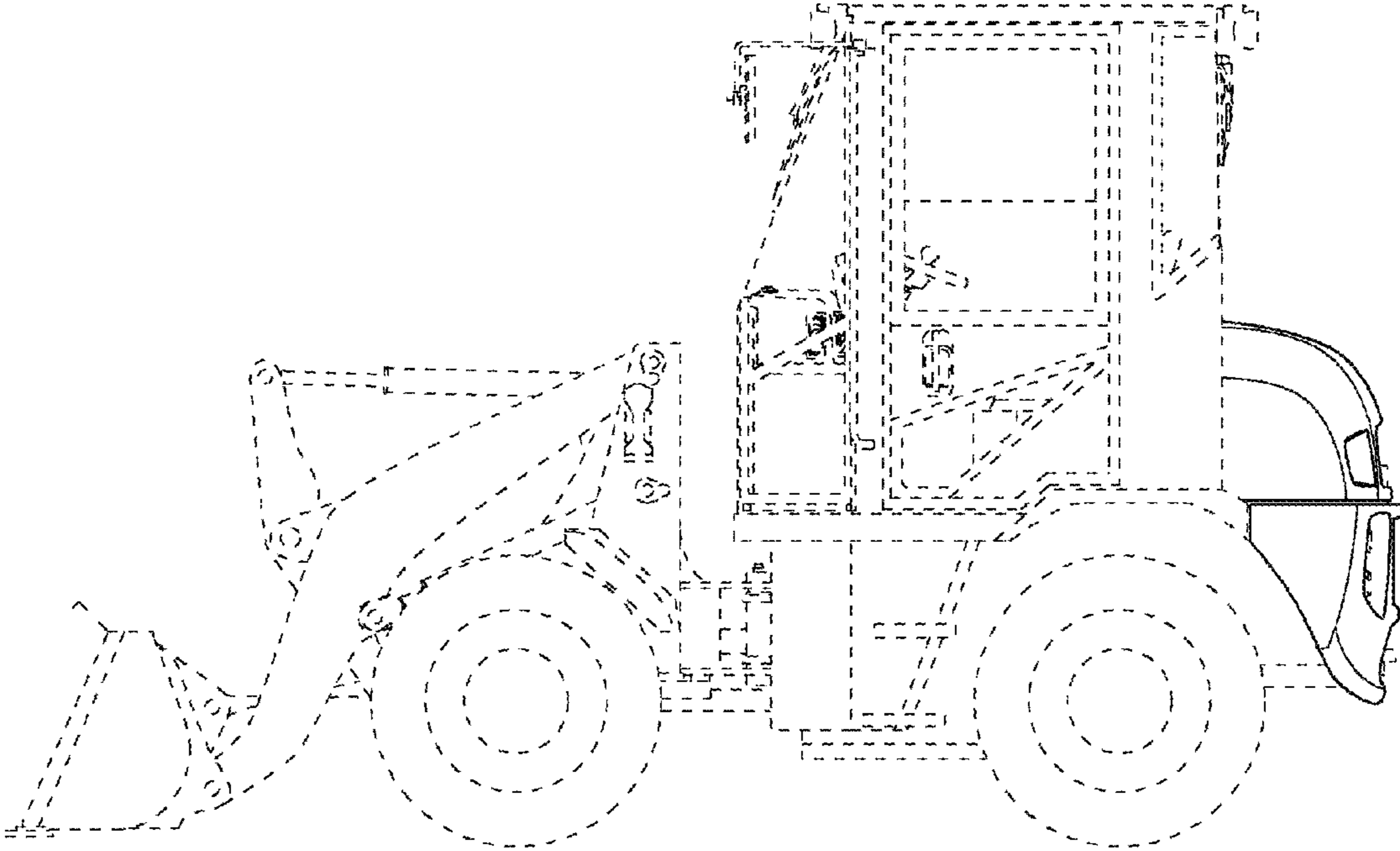


FIG. 7