



US00D762739S

(12) **United States Design Patent**  
**Manwaring**

(10) **Patent No.:** **US D762,739 S**  
(45) **Date of Patent:** **\*\* Aug. 2, 2016**

- (54) **PIPE END REFACING TOOL**
- (71) Applicant: **Magna-Sonic Stress Testers, Inc.**,  
Vernal, UT (US)
- (72) Inventor: **Kevin Manwaring**, Vernal, UT (US)
- (73) Assignee: **MAGNA-SONIC STRESS TESTERS, INC.**, Vernal, UT (US)
- (\*\*) Term: **14 Years**
- (21) Appl. No.: **29/464,376**
- (22) Filed: **Aug. 15, 2013**
- (51) **LOC (10) Cl.** ..... **15-09**
- (52) **U.S. Cl.**  
USPC ..... **D15/28**
- (58) **Field of Classification Search**  
USPC ..... D15/5, 10-33, 141, 138; 82/110, 113,  
82/128, 1.11; 408/81, 112, 84, 83, 1 R;  
407/40; 409/185, 903, 175; 451/441,  
451/278, 344; 166/382, 208  
CPC ..... B23C 3/05; B23C 1/20; B23C 3/051;  
B23C 3/056; B23C 5/06; B24B 15/00; B24B  
7/16; B24B 15/02; B24B 15/04; B24B 23/00;  
B24B 23/08; B24B 5/162; B24B 5/163;  
B24B 2215/68; B24B 2215/72; B24B  
2220/08; B24B 2260/00  
See application file for complete search history.

4,761,104	A	8/1988	Hillestad	
4,854,200	A	8/1989	Mynhier	
4,954,023	A	9/1990	Bromley	
5,062,187	A	11/1991	Bromley	
5,433,130	A	7/1995	Smith	
D417,229	S *	11/1999	Lannoch	..... D15/148
7,784,551	B2	8/2010	Angman	
7,908,945	B2 *	3/2011	Dufour et al.	..... 82/1.11
8,784,161	B1	7/2014	Burleson	
2006/0245837	A1 *	11/2006	Dufour et al.	..... 409/132
2009/0214305	A1 *	8/2009	Waggle et al.	..... 407/48
2011/0150582	A1 *	6/2011	Sjoo	..... 407/40
2011/0150583	A1 *	6/2011	Engstrom	..... 407/40
2011/0192199	A1 *	8/2011	Merle et al.	..... 69/9
2012/0301235	A1 *	11/2012	Yoshioka et al.	..... 407/100
2013/0033051	A1 *	2/2013	Guo	..... 294/115
2013/0045059	A1 *	2/2013	Bozkurt	..... 409/131
2013/0051944	A1 *	2/2013	Wenzelburger et al.	..... 408/83

\* cited by examiner

*Primary Examiner* — Cynthia Ramirez

*Assistant Examiner* — Gino Colan

(74) *Attorney, Agent, or Firm* — Maschoff Brennan

(57) **CLAIM**

The ornamental design for a pipe end refacing tool, as shown and described.

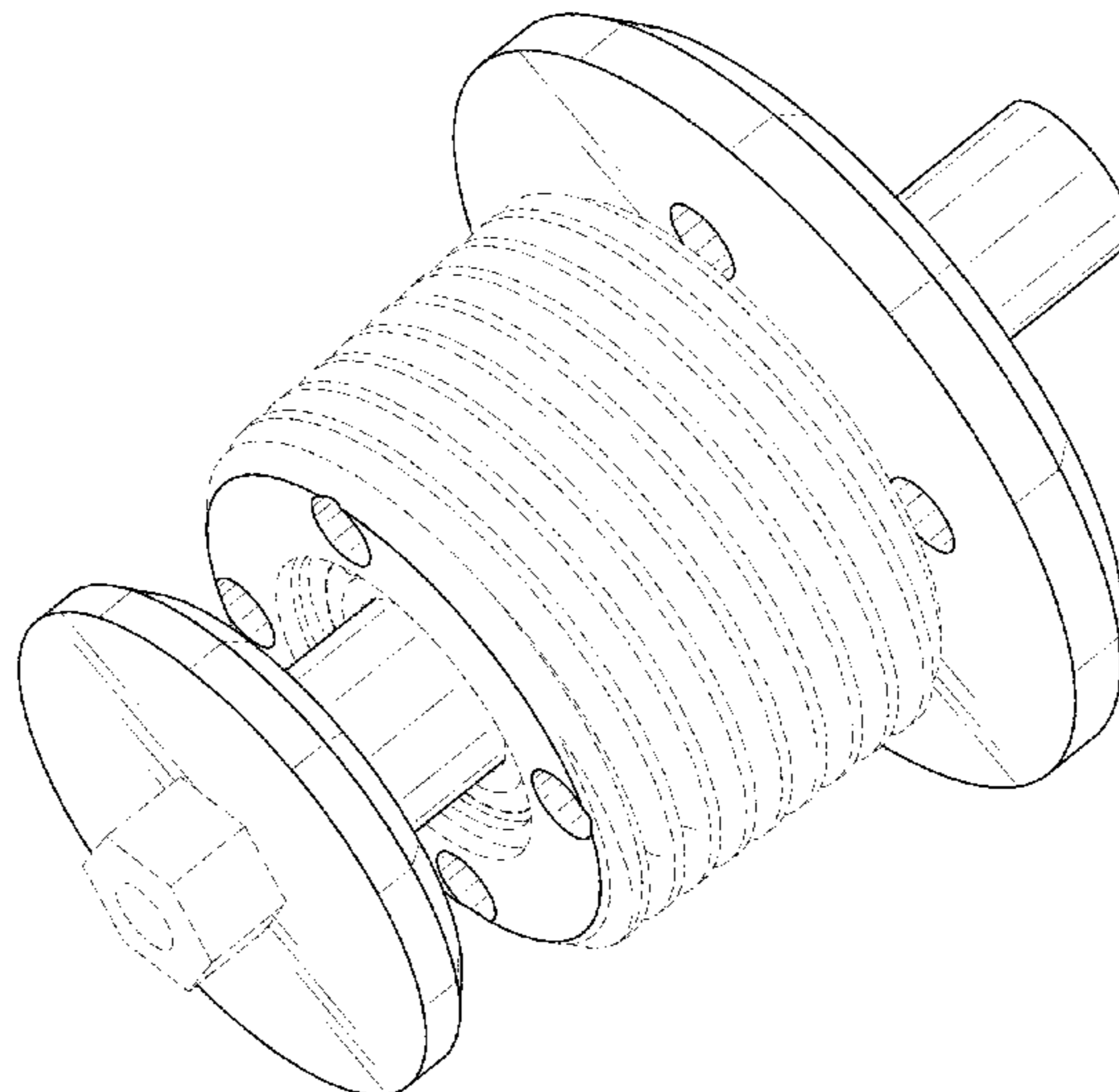
**DESCRIPTION**

FIG. 1 is a perspective view of a pipe end refacing tool according to the present invention;  
 FIG. 2 is a right elevational view thereof, the left side being a mirror image;  
 FIG. 3 is a top plan view thereof, the bottom being a mirror image;  
 FIG. 4 is a front elevational view thereof; and,  
 FIG. 5 is a back elevational view thereof.  
 The broken lines showing environment in the drawings are included for illustrative purposes only and form no part of the claimed design.

**1 Claim, 3 Drawing Sheets**

(56) **References Cited**  
U.S. PATENT DOCUMENTS

2,159,287	A	5/1939	Morgan
2,211,183	A	8/1940	Tytus
3,608,406	A	9/1971	Paysinger
3,691,882	A	9/1972	Massey
3,717,055	A	2/1973	Pendleton
4,665,780	A	5/1987	Plaquin



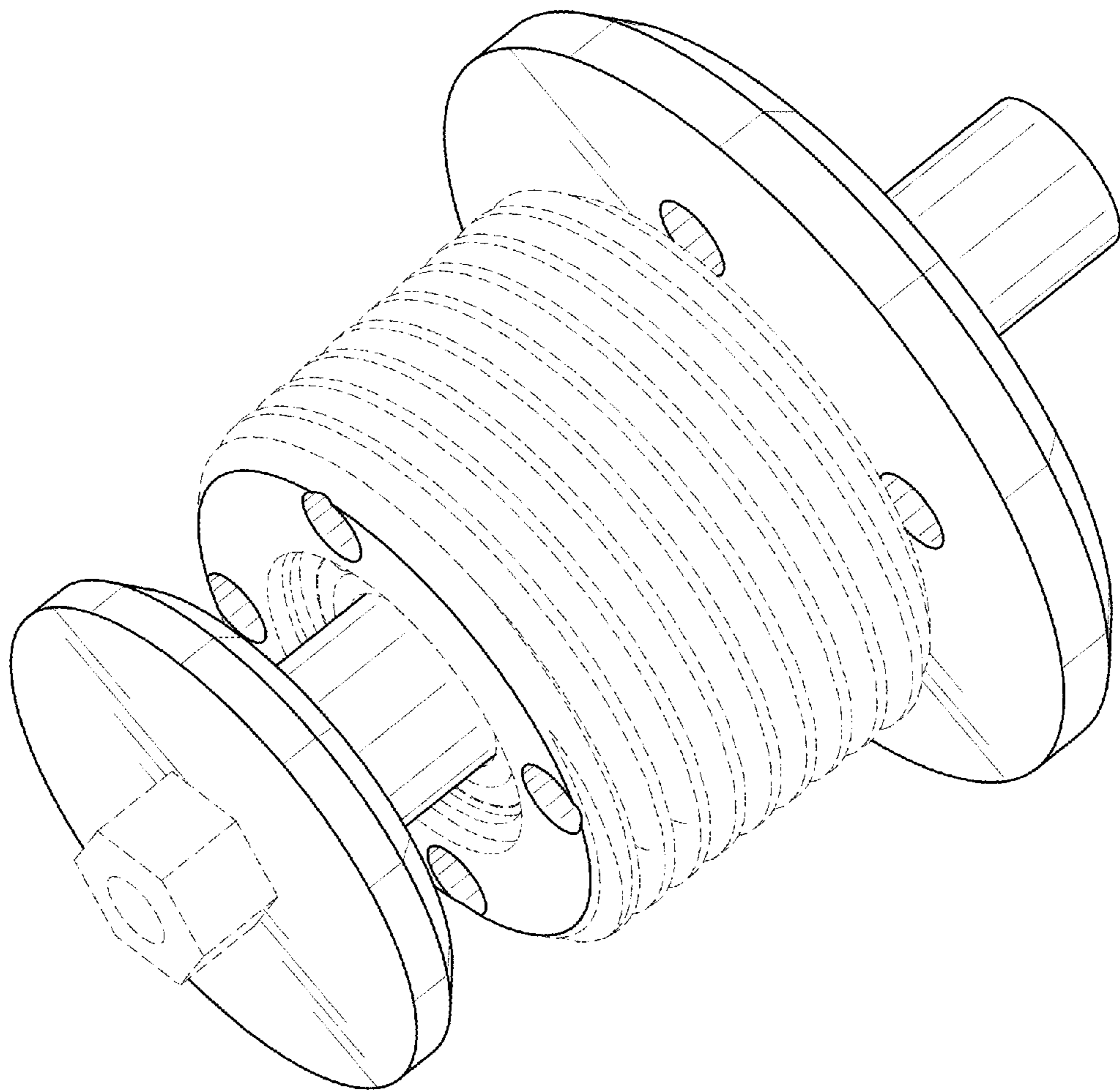
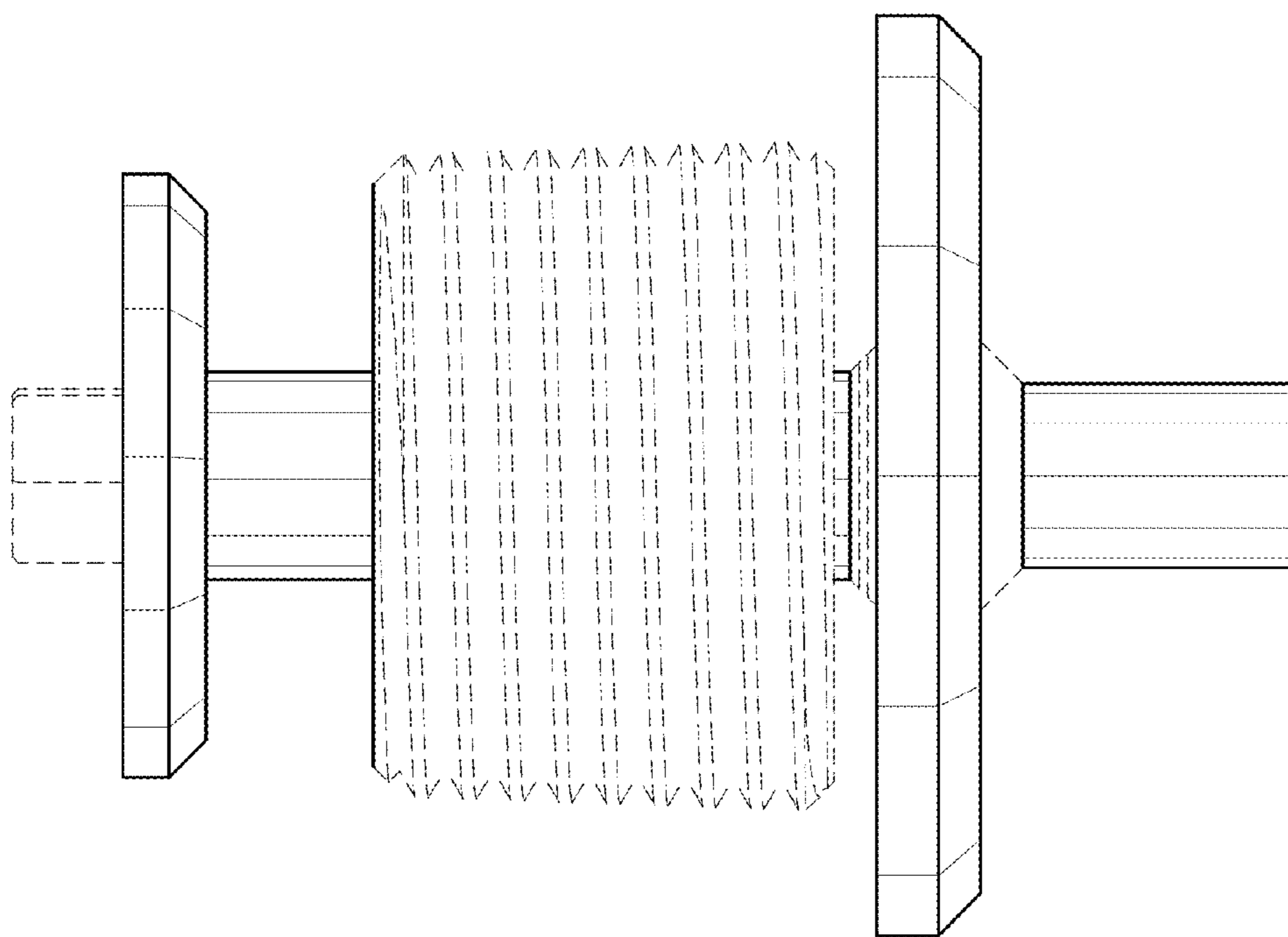
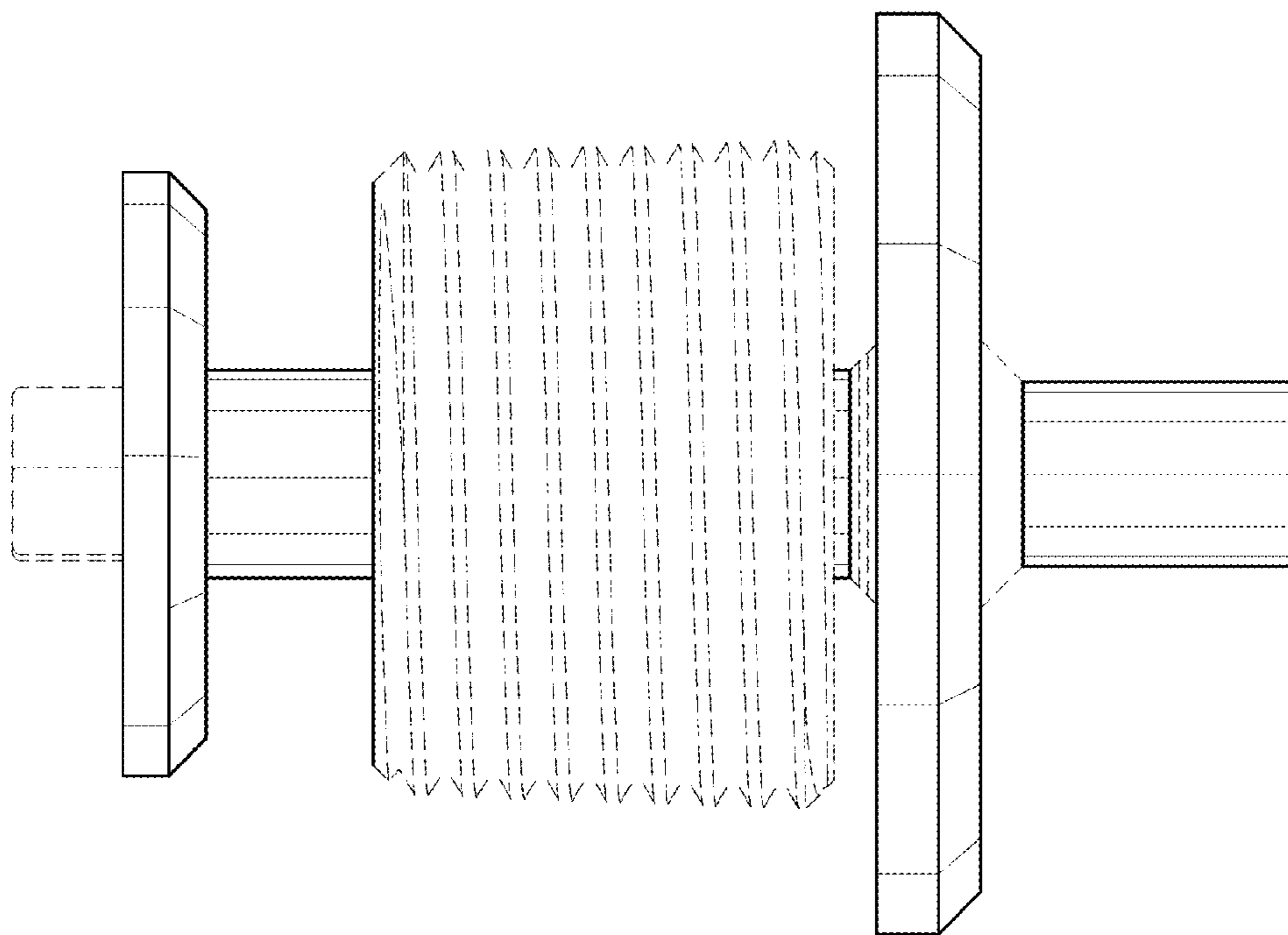


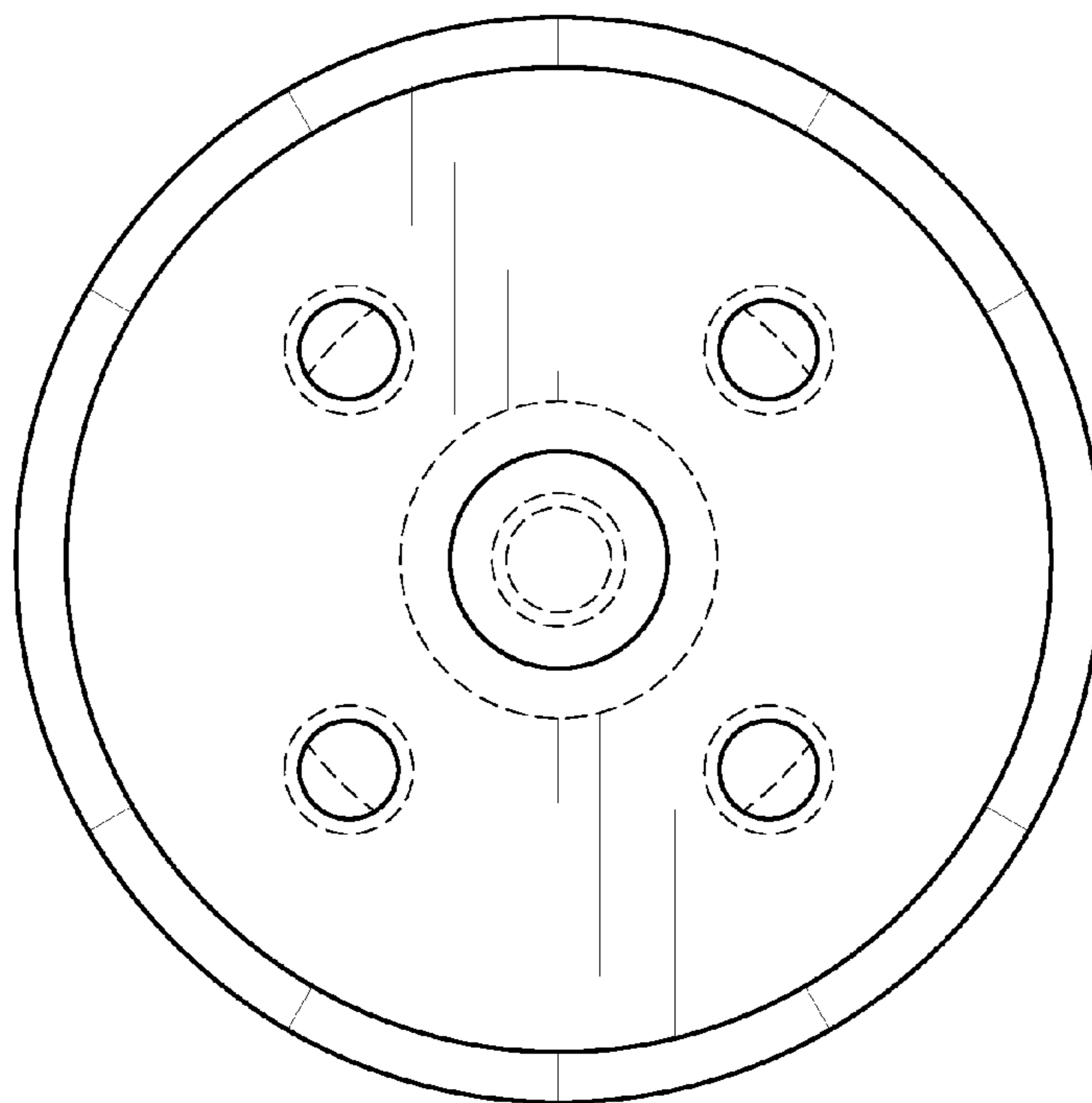
FIG. 1



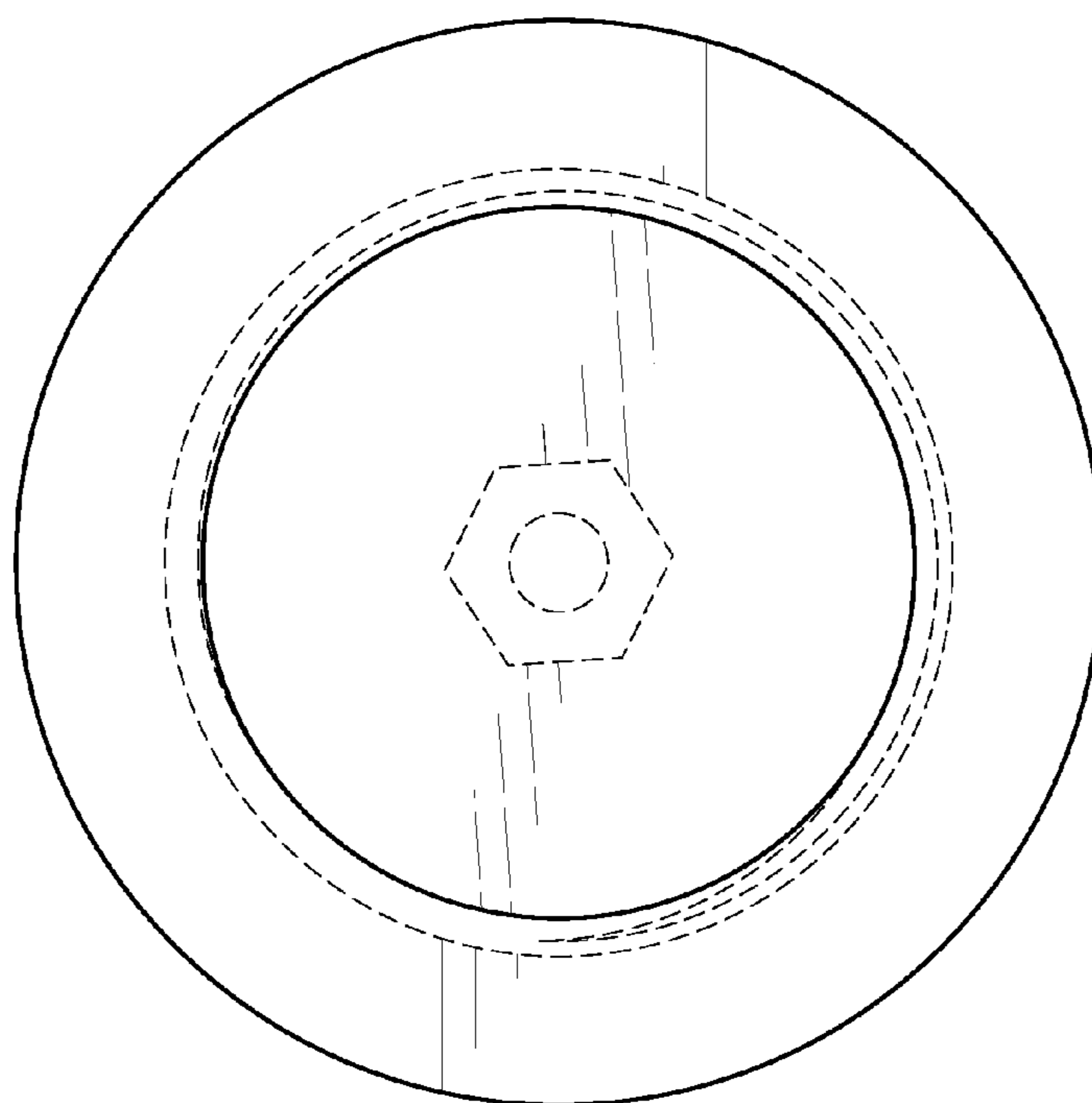
**FIG. 2**



**FIG. 3**



**FIG. 4**



**FIG. 5**