

US00D762738S

(12) **United States Design Patent**  
**Dal Moro**

(10) **Patent No.:** **US D762,738 S**

(45) **Date of Patent:** **\*\* Aug. 2, 2016**

- (54) **AGRICULTURAL MACHINE**
- (71) Applicant: **MASCHIO GASPARDO S.P.A.**,  
Campodarsego (IT)
- (72) Inventor: **Marco Dal Moro**, Campodarsego (IT)
- (73) Assignee: **Maschio Gaspardo S.P.A.**,  
Campodarsego (PD) (IT)

7,255,050	B2 *	8/2007	Johannaber et al. ....	111/185
D559,868	S *	1/2008	Nanlawala et al. ....	D15/27
D644,253	S *	8/2011	Donadon .....	D15/10
9,107,337	B2 *	8/2015	Bassett	
2002/0162492	A1 *	11/2002	Juptner .....	111/140
2007/0215024	A1 *	9/2007	Sanguinetti .....	111/118
2008/0264312	A1 *	10/2008	Choulet .....	111/69
2008/0276848	A1 *	11/2008	Schilling .....	111/149
2009/0025619	A1 *	1/2009	Vandersnick .....	111/135

\* cited by examiner

(\*\*) Term: **14 Years**

(21) Appl. No.: **29/506,690**

(22) Filed: **Oct. 18, 2014**

(30) **Foreign Application Priority Data**

Apr. 18, 2014 (EM) ..... 002449785

(51) **LOC (10) Cl.** ..... **15-03**

(52) **U.S. Cl.**  
USPC ..... **D15/27**

(58) **Field of Classification Search**  
USPC ..... D15/10, 11, 27, 28-33  
CPC .. A01B 71/04; A01C 5/06; A01C 7/00-7/048  
See application file for complete search history.

(56) **References Cited**

**U.S. PATENT DOCUMENTS**

6,520,100	B1 *	2/2003	Spooner et al. ....	111/59
6,530,334	B2 *	3/2003	Hagny .....	111/189
6,843,186	B2 *	1/2005	Shoup .....	111/59
7,152,539	B2 *	12/2006	Swanson .....	111/119
7,168,376	B2 *	1/2007	Johnston .....	111/167

*Primary Examiner* — Mitchell Siegel

(74) *Attorney, Agent, or Firm* — Kristina Castellano;  
Castellano PLLC

(57) **CLAIM**

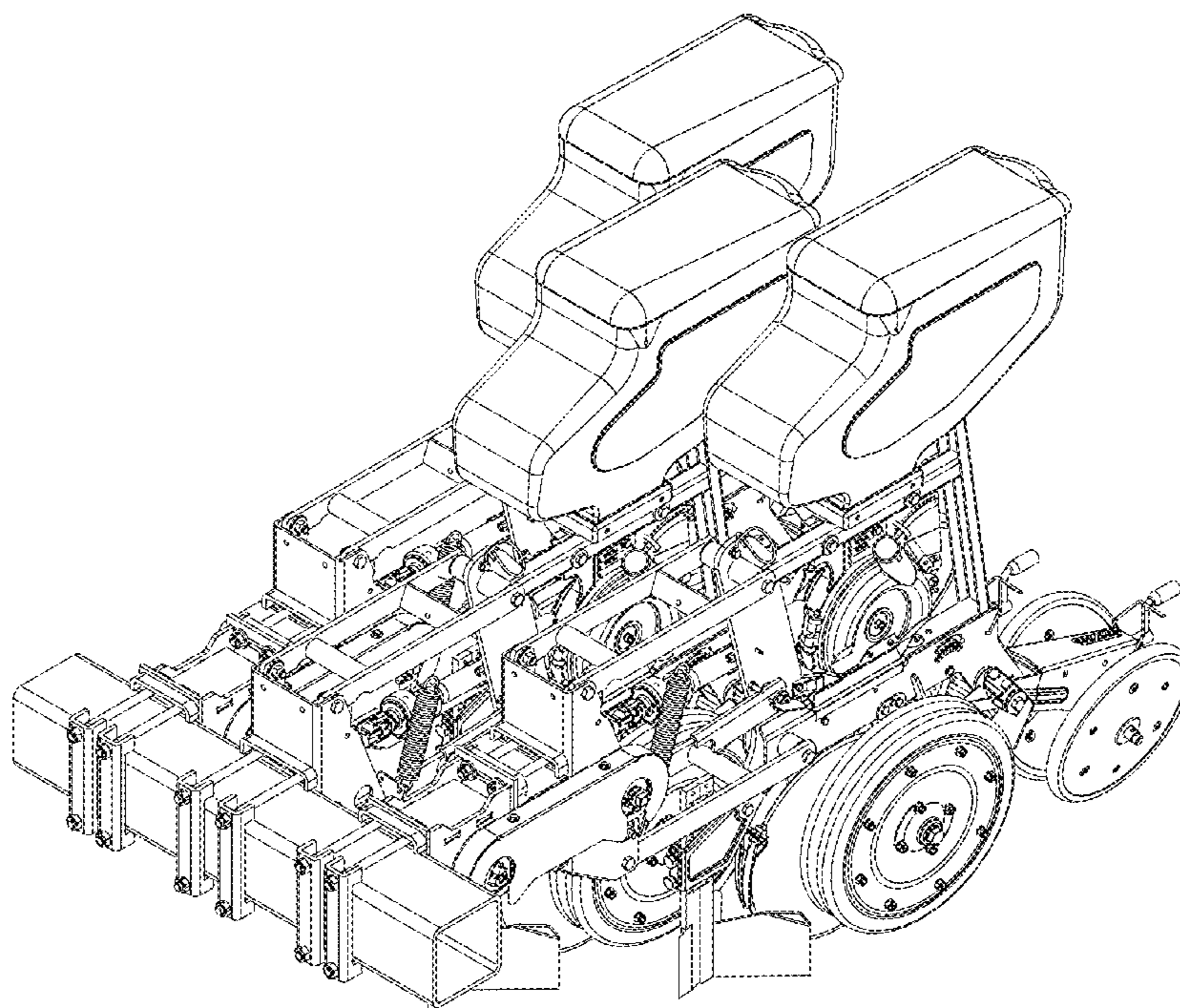
The ornamental design for an agricultural machine, as shown and described.

**DESCRIPTION**

FIG. 1 is a top perspective view of an agricultural machine according to the present design; FIG. 2 is a lateral view thereof; FIG. 3 is a rear view thereof; FIG. 4 is a lateral view thereof; FIG. 5 is a front view thereof; FIG. 6 is a view from above thereof; FIG. 7 is a bottom view thereof; and, FIG. 8 is a reduced rear perspective view thereof; shown combined with other unclaimed agriculture machines for clarity of use.

The broken lines shown in the drawings illustrate portions of an agricultural machine, which portions depicted in broken lines form no part of the claimed design.

**1 Claim, 8 Drawing Sheets**



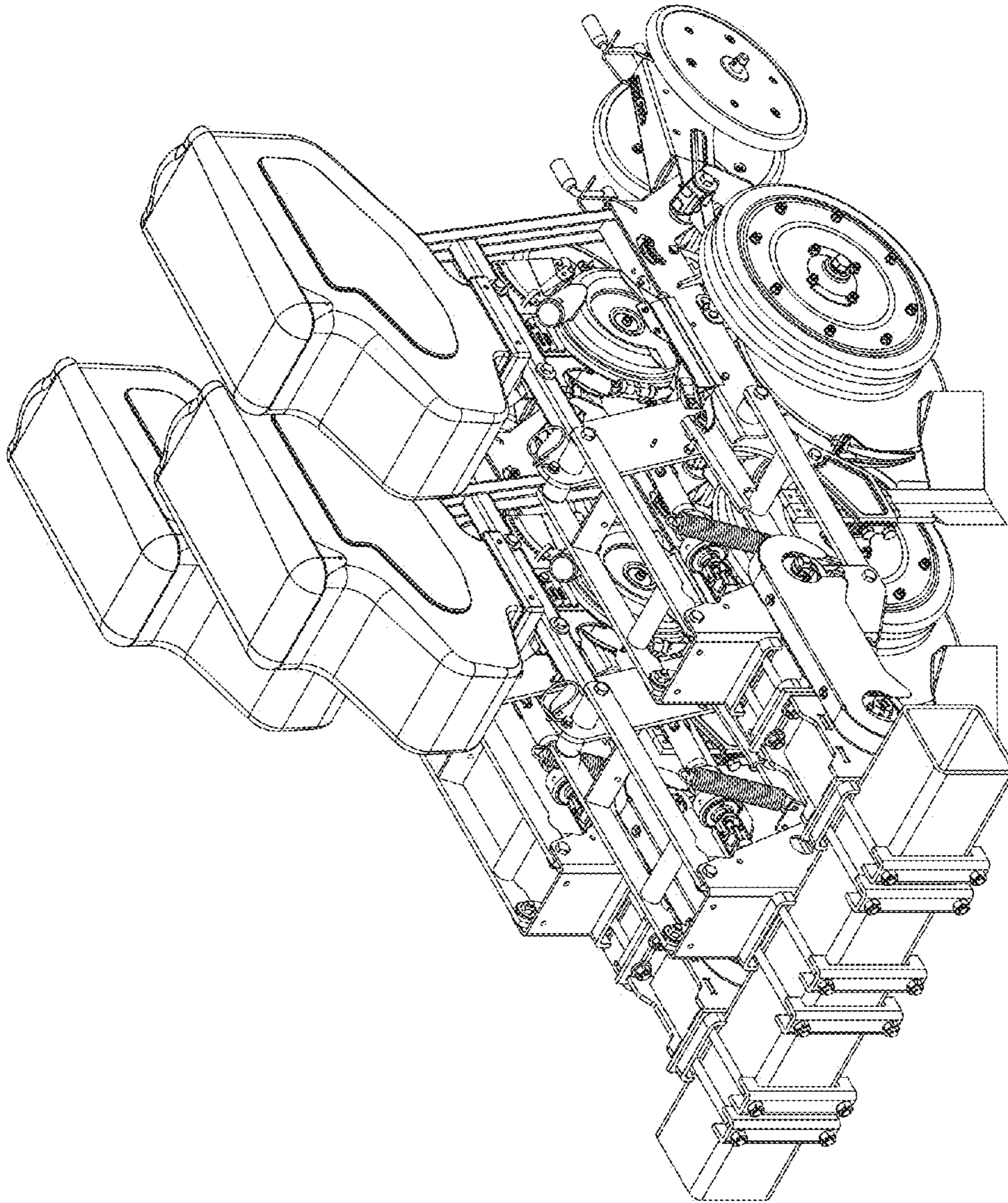


FIG. 1

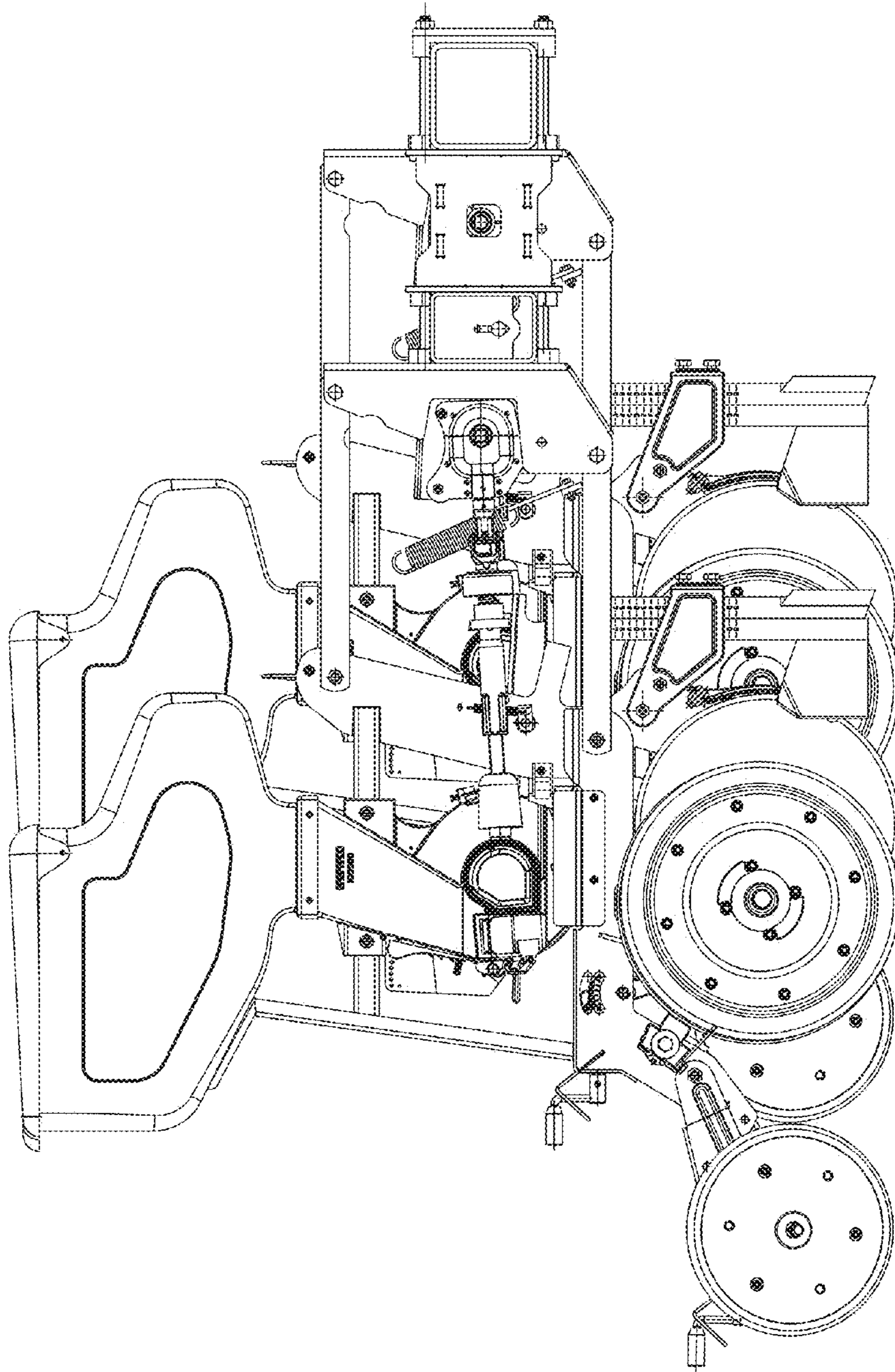


FIG. 2

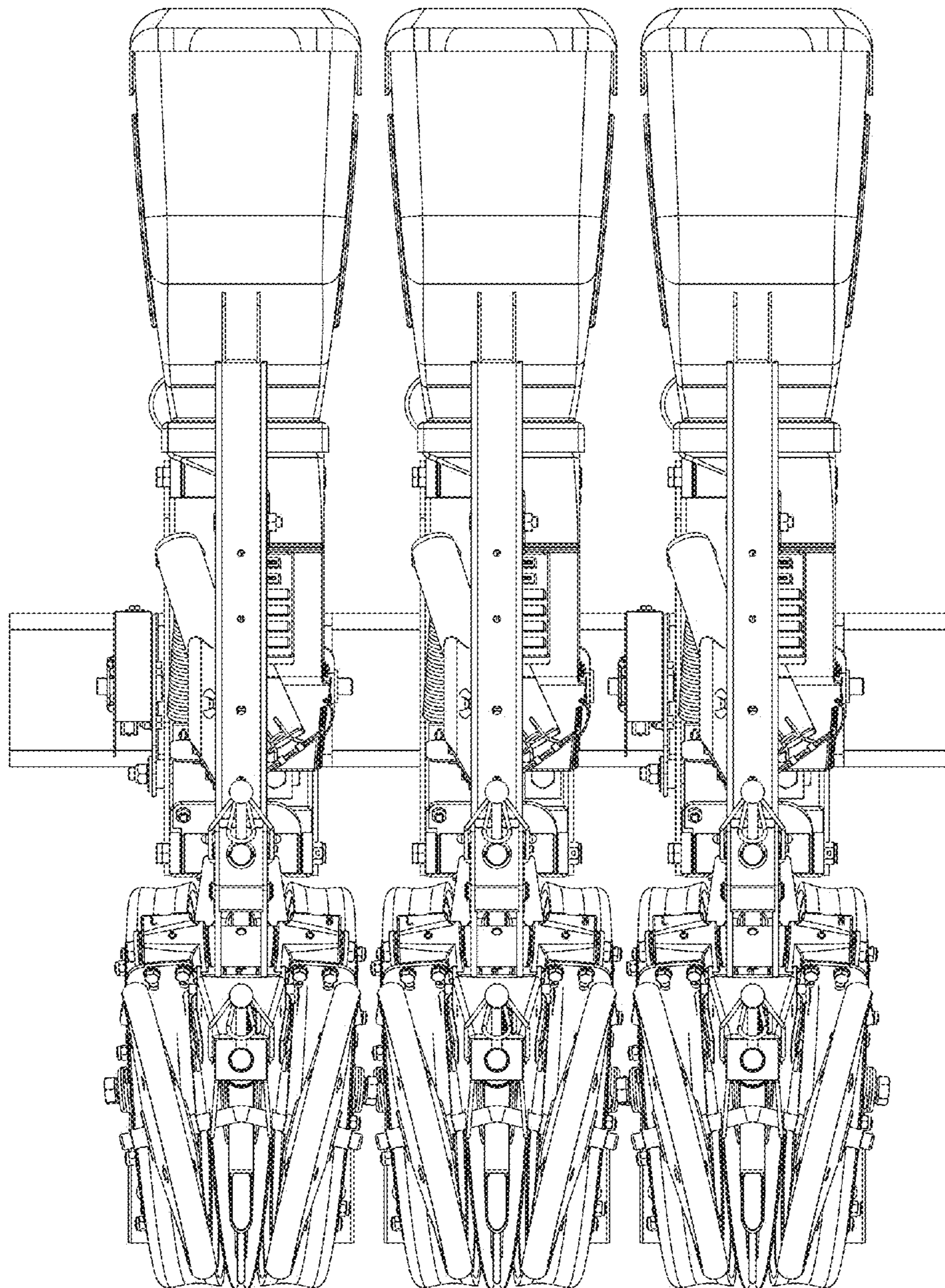


FIG. 3

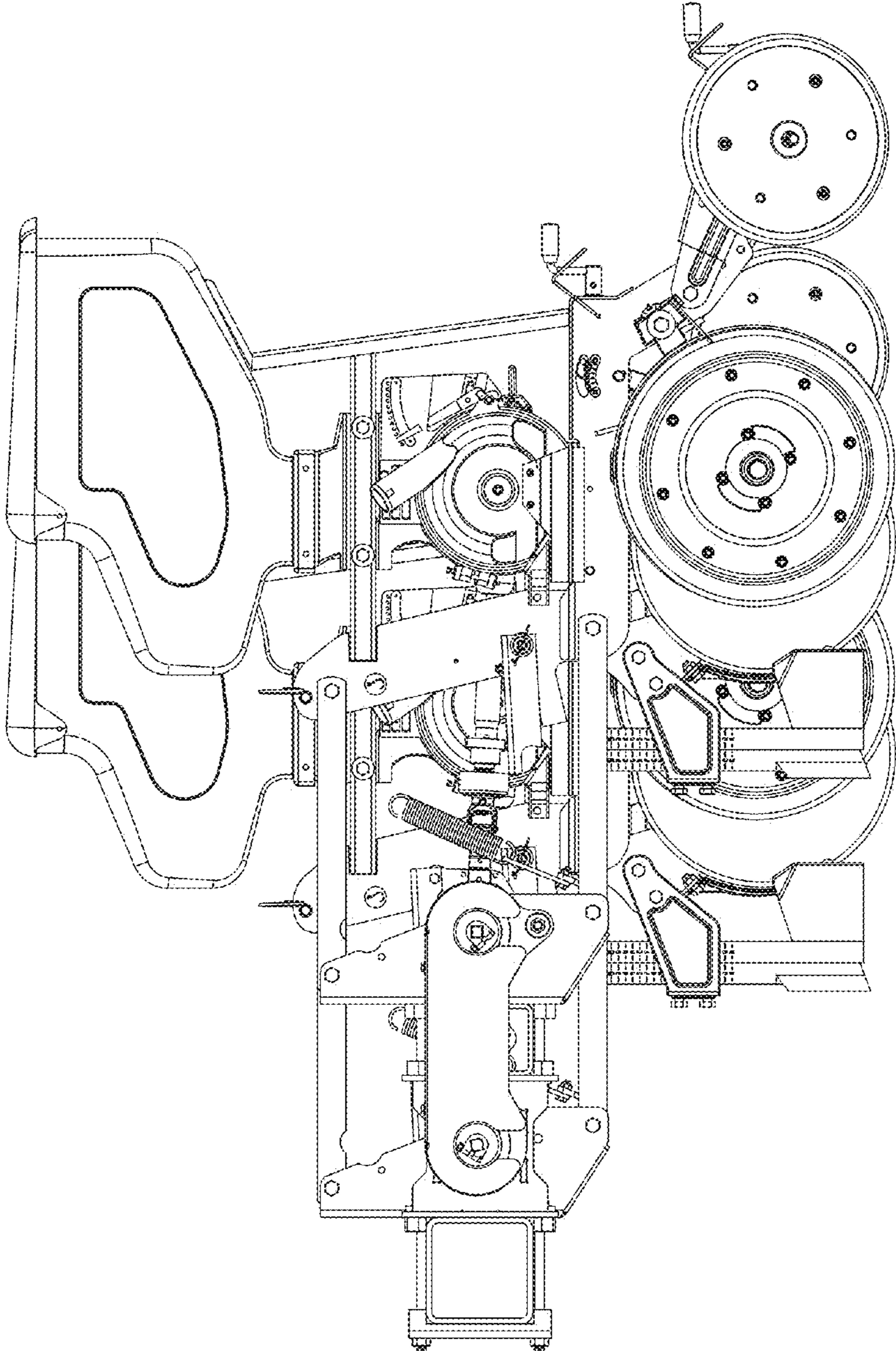


FIG. 4

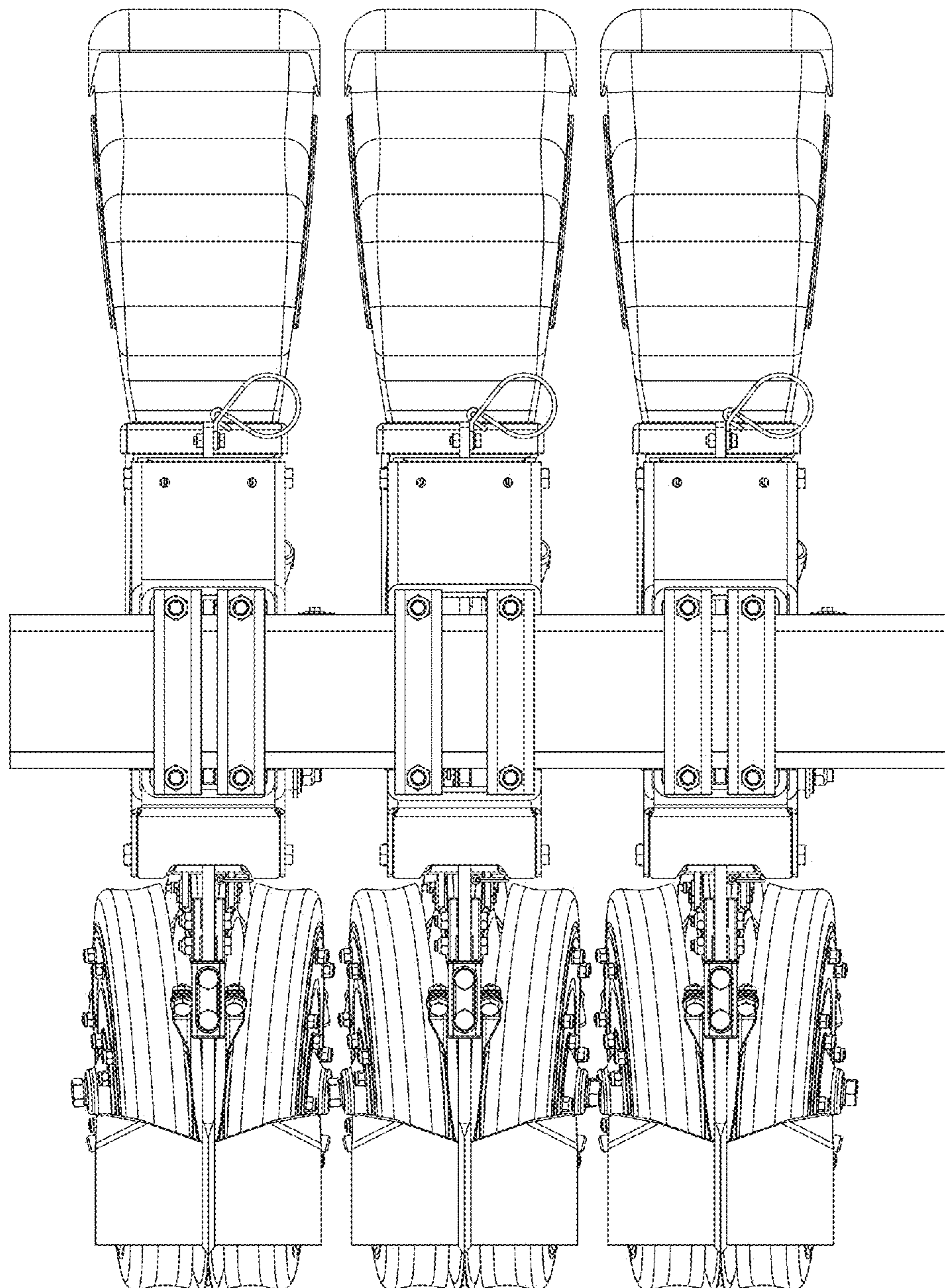


FIG. 5

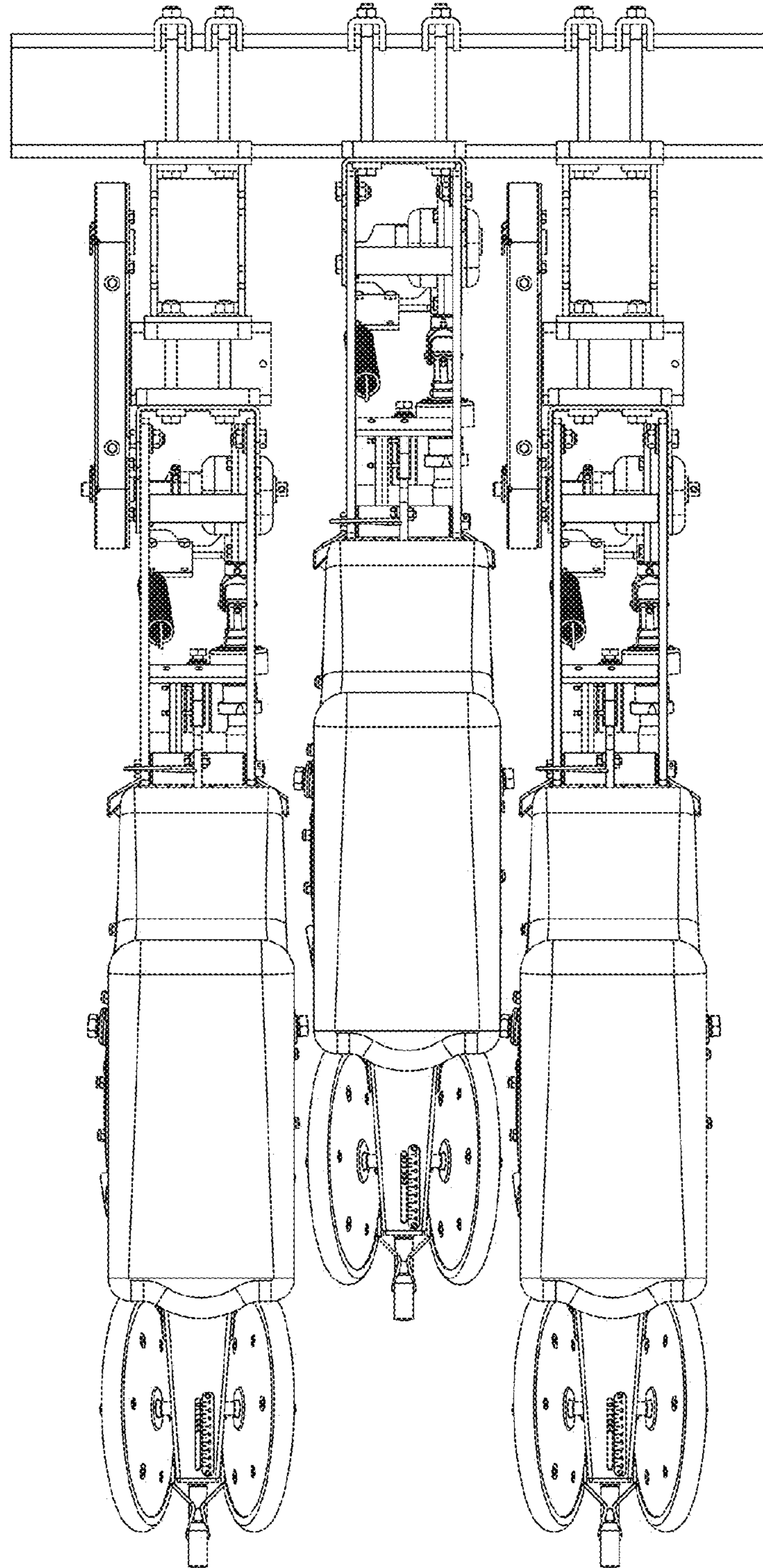


FIG. 6

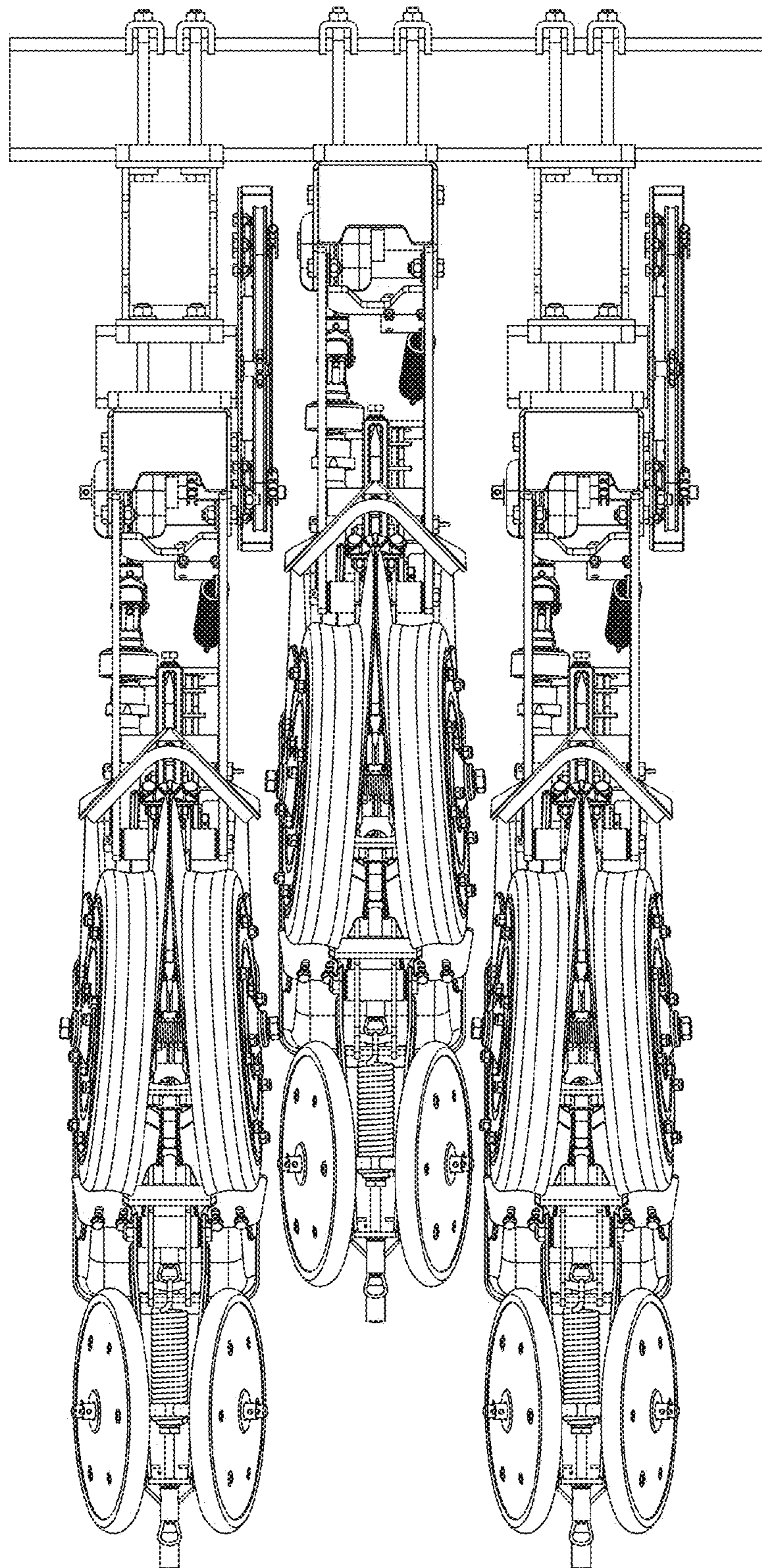


FIG. 7



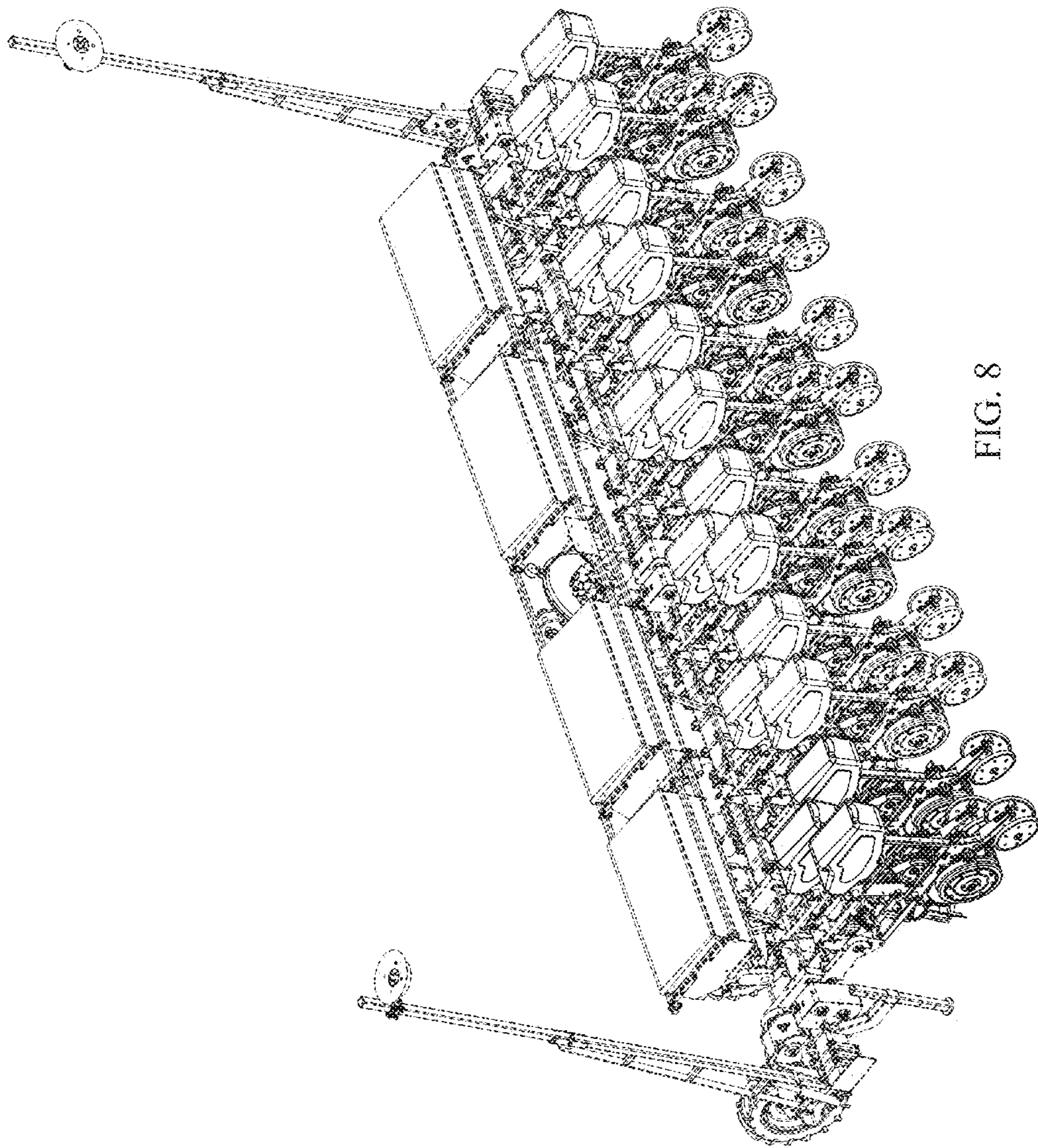


FIG. 8