



US00D762737S

(12) **United States Design Patent**
Fitzhugh et al.

(10) **Patent No.:** **US D762,737 S**
(45) **Date of Patent:** **** Aug. 2, 2016**

(54) **COMPACT BALL SEAT DOWNHOLE PLUG**

(71) Applicant: **Peak Completion Technologies, Inc.**,
Midland, TX (US)

(72) Inventors: **Bryan Fitzhugh**, Midland, TX (US);
William Sloane Muscroft, Midland, TX
(US)

(73) Assignee: **Peak Completion Technologies, Inc.**,
Midland, TX (US)

(**) Term: **14 Years**

(21) Appl. No.: **29/501,350**

(22) Filed: **Sep. 3, 2014**

(51) **LOC (10) Cl.** **15-03**

(52) **U.S. Cl.**
USPC **D15/21**

(58) **Field of Classification Search**
USPC D15/21, 28, 138, 139, 140
CPC E21B 33/134; E21B 33/12; E21B 43/12
See application file for complete search history.

(56) **References Cited**

U.S. PATENT DOCUMENTS

D672,794 S	*	12/2012	Frazier	D15/139
D694,281 S	*	11/2013	Frazier	D15/21
D703,698 S	*	4/2014	Frazier	D15/21
2011/0067889 A1	*	3/2011	Marya et al.	166/386
2011/0277987 A1	*	11/2011	Frazier	166/181

2011/0277989 A1	*	11/2011	Frazier	166/193
2011/0290473 A1	*	12/2011	Frazier	166/135
2012/0006532 A1	*	1/2012	Frazier	166/196
2012/0279700 A1	*	11/2012	Frazier	166/193
2013/0240203 A1	*	9/2013	Frazier	166/193
2013/0292119 A1	*	11/2013	Hilliard et al.	166/285

* cited by examiner

Primary Examiner — Mitchell Siegel

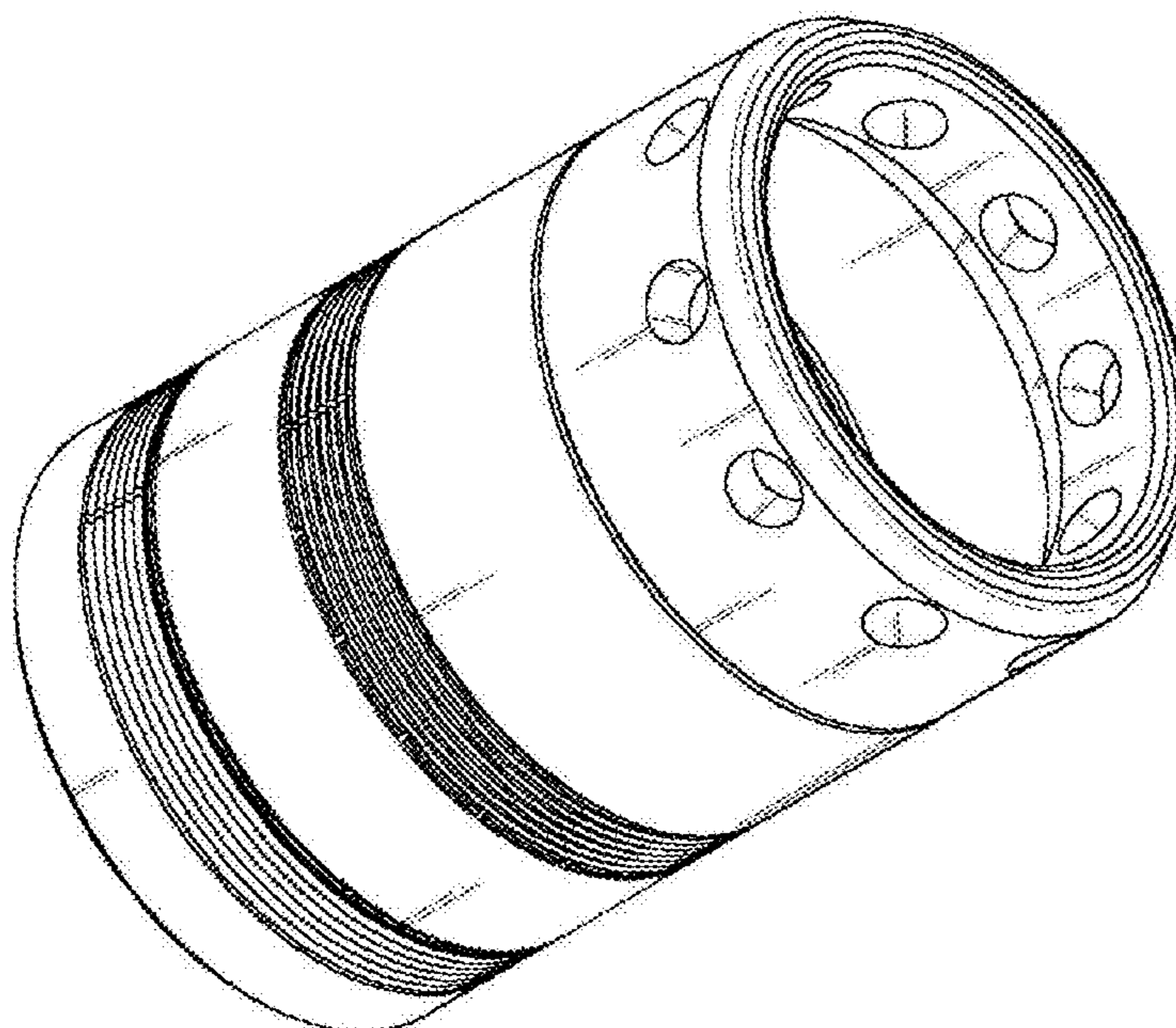
(57) **CLAIM**

The ornamental design for a compact ball seat downhole plug, as shown and described.

DESCRIPTION

FIG. 1 is a perspective view of a compact ball seat downhole plug;
 FIG. 2 is another perspective view of the compact ball seat downhole plug;
 FIG. 3 is a left side plan view of the compact ball seat downhole plug;
 FIG. 4 is a right side plan view of the compact ball seat downhole plug;
 FIG. 5 is a front side plan view of the compact ball seat downhole plug;
 FIG. 6 is a back side plan view of the compact ball seat downhole plug;
 FIG. 7 is a top plan view of the compact ball seat downhole plug; and,
 FIG. 8 is a bottom plan view of the compact ball seat downhole plug.

1 Claim, 3 Drawing Sheets



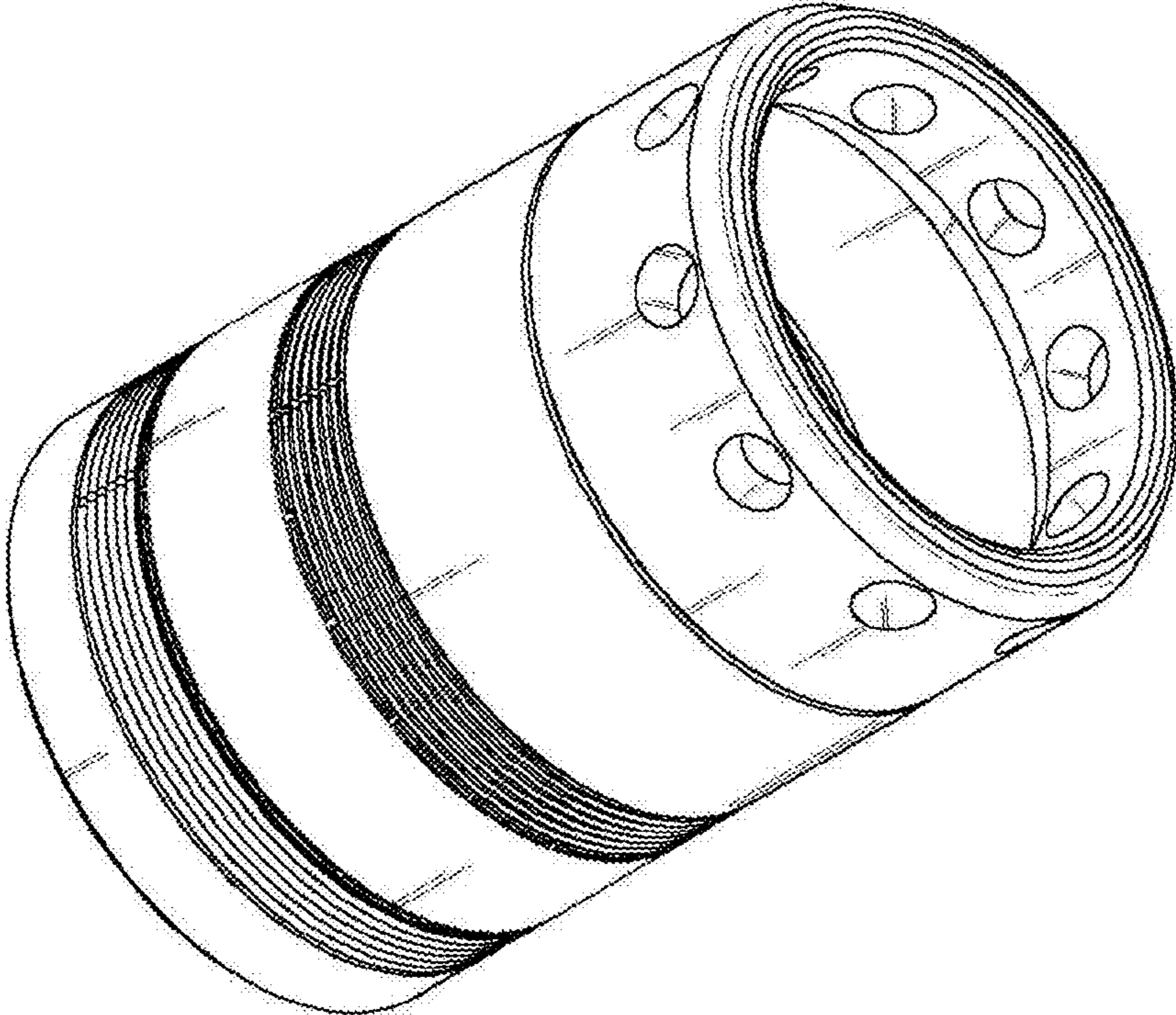


FIG. 1

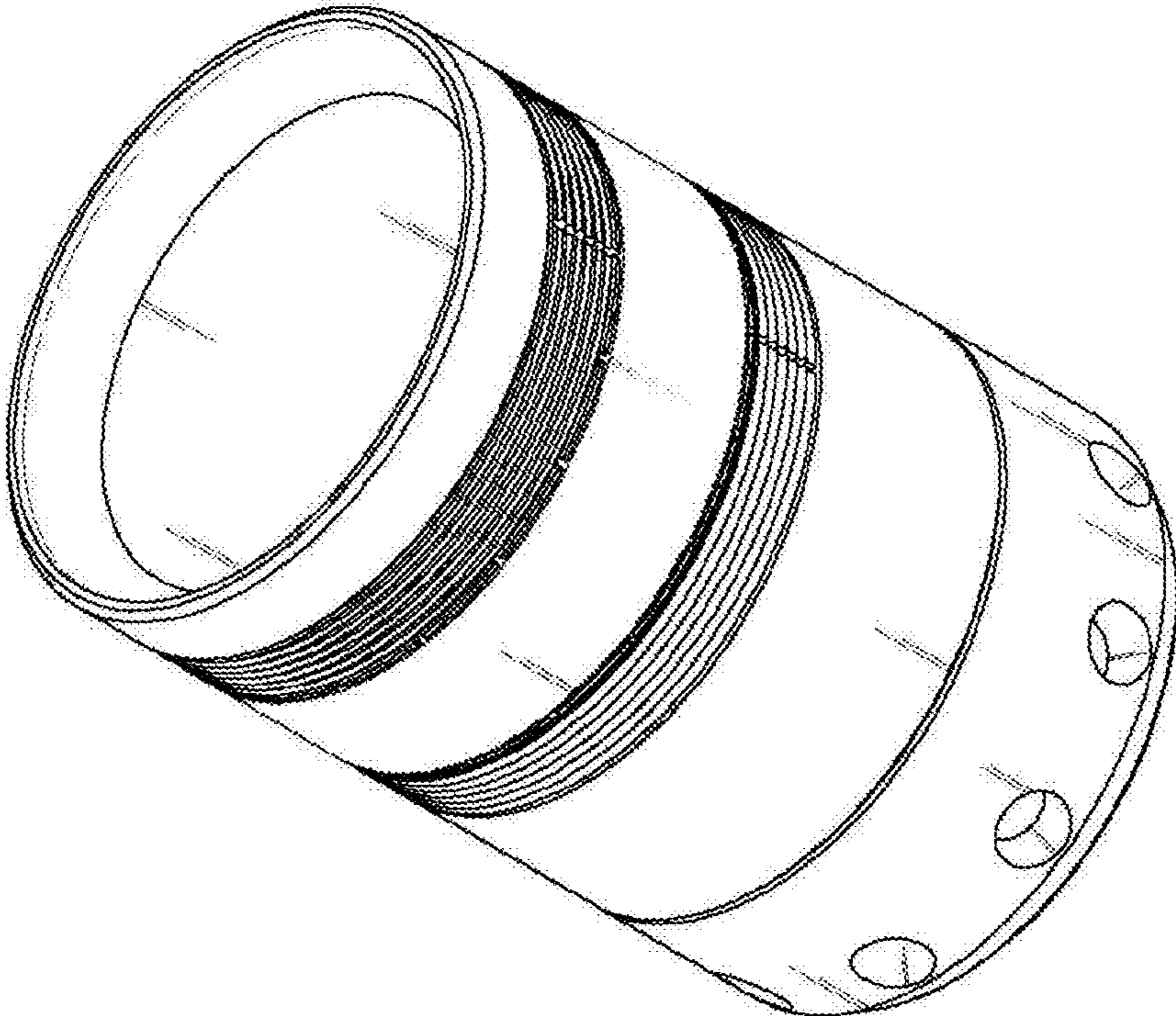


FIG. 2

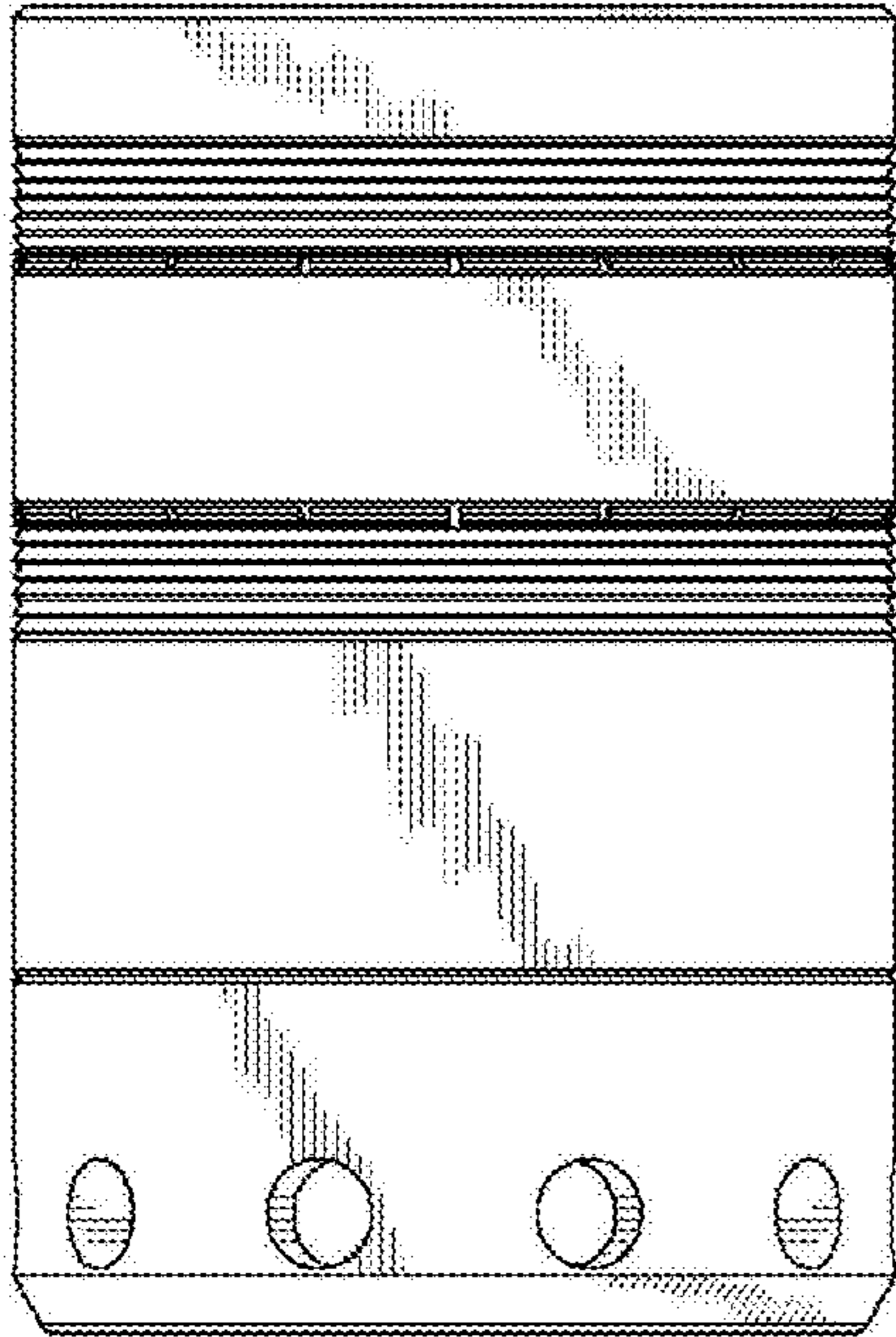


FIG. 3

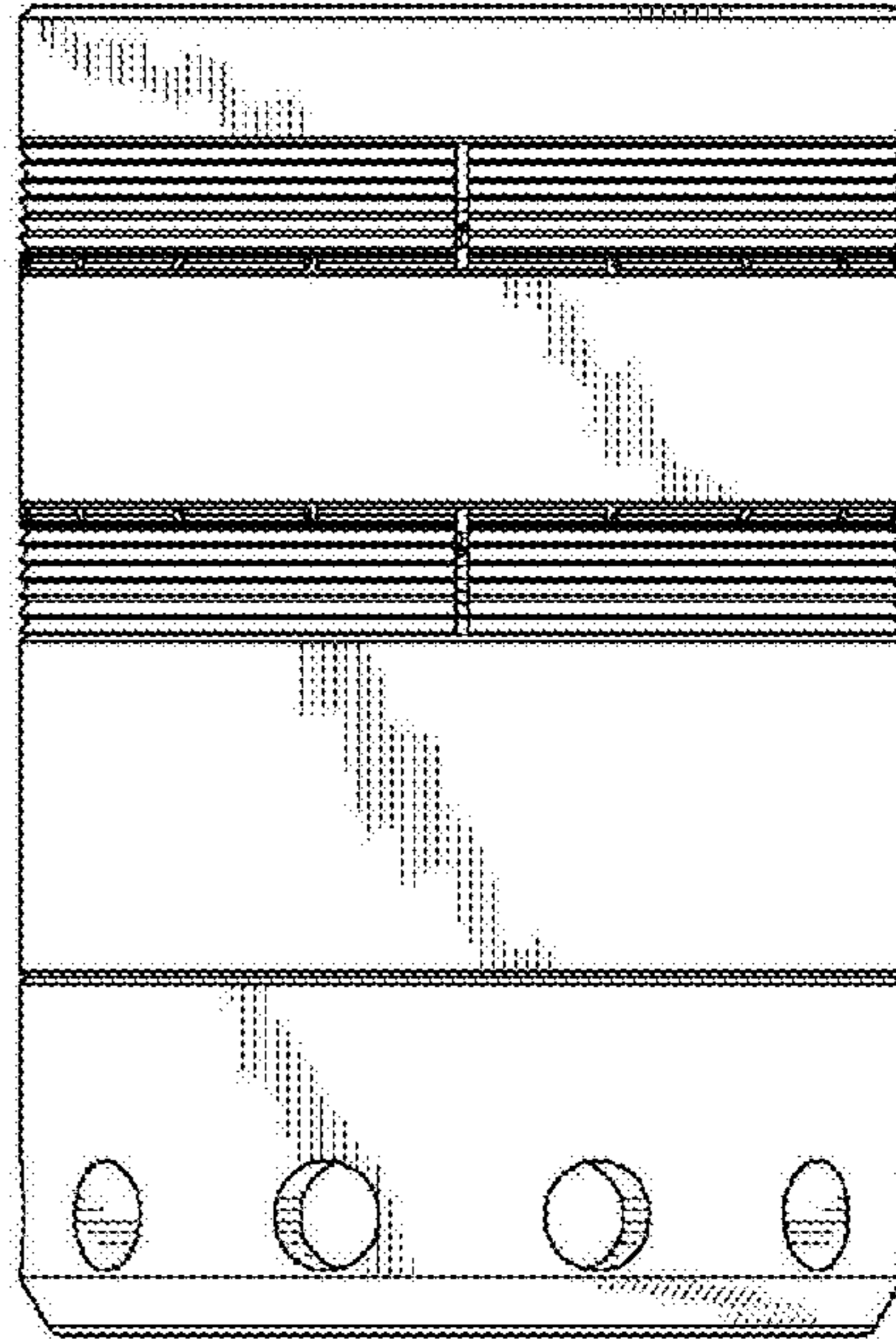


FIG. 4

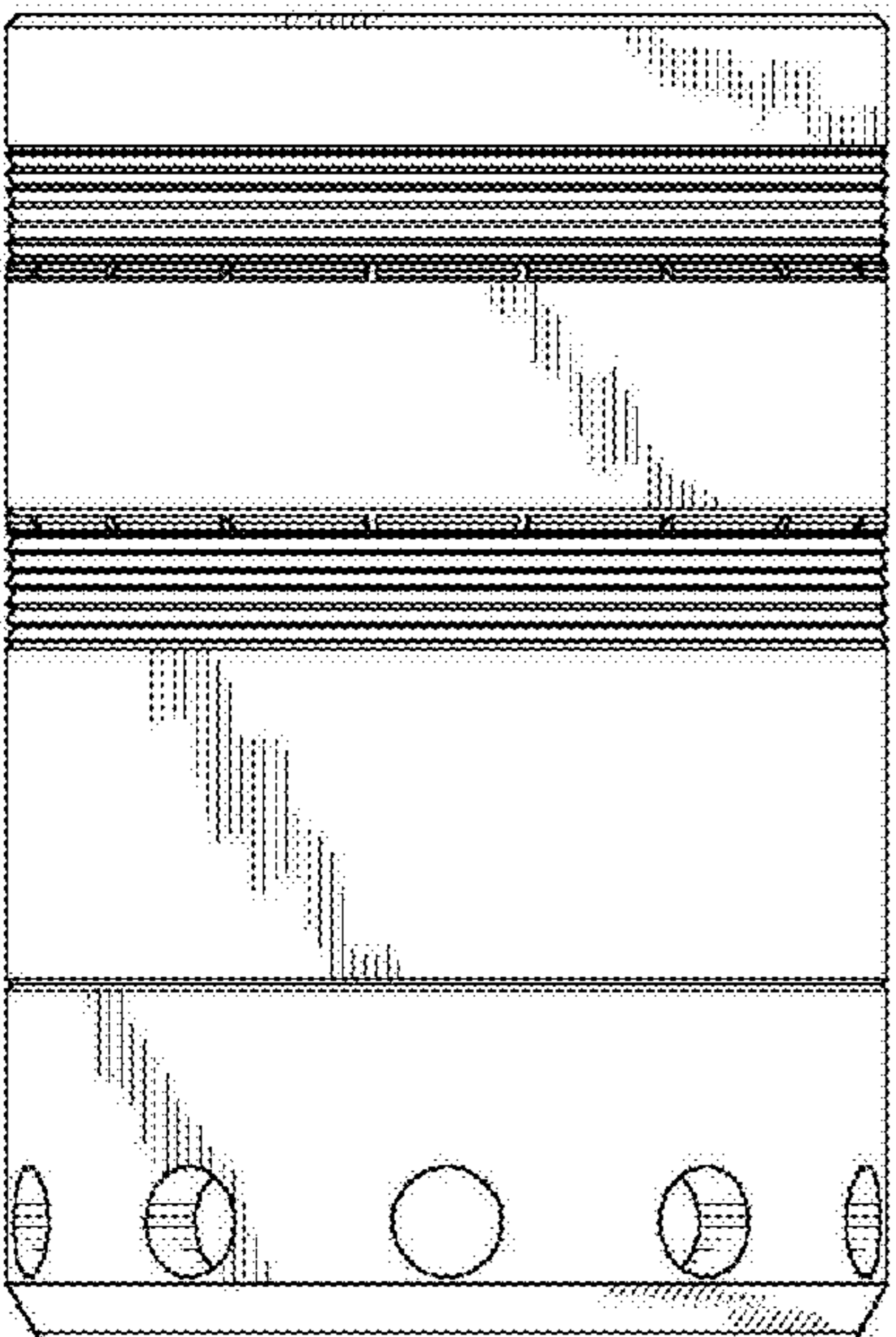


FIG. 5

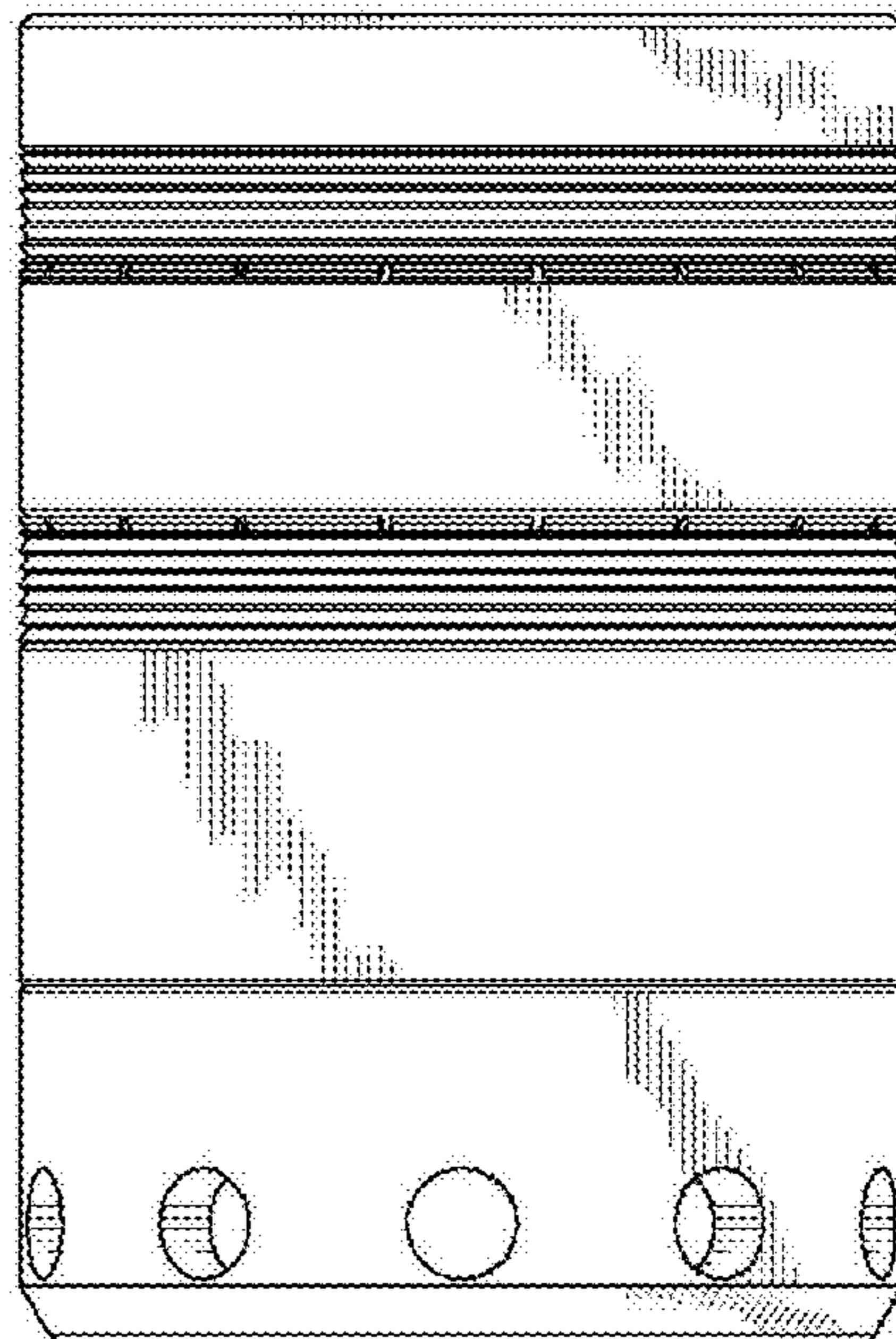


FIG. 6

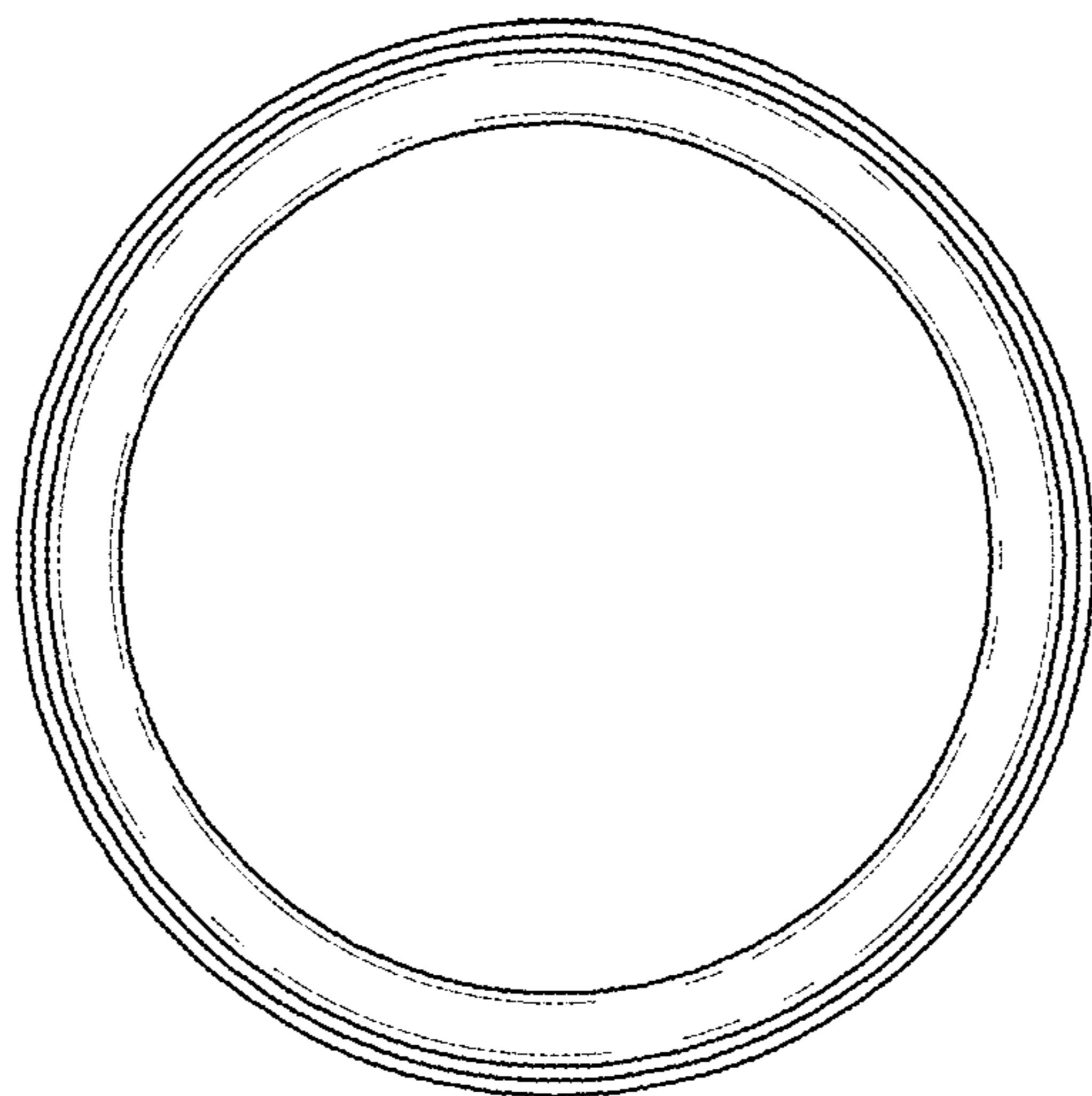


FIG. 7

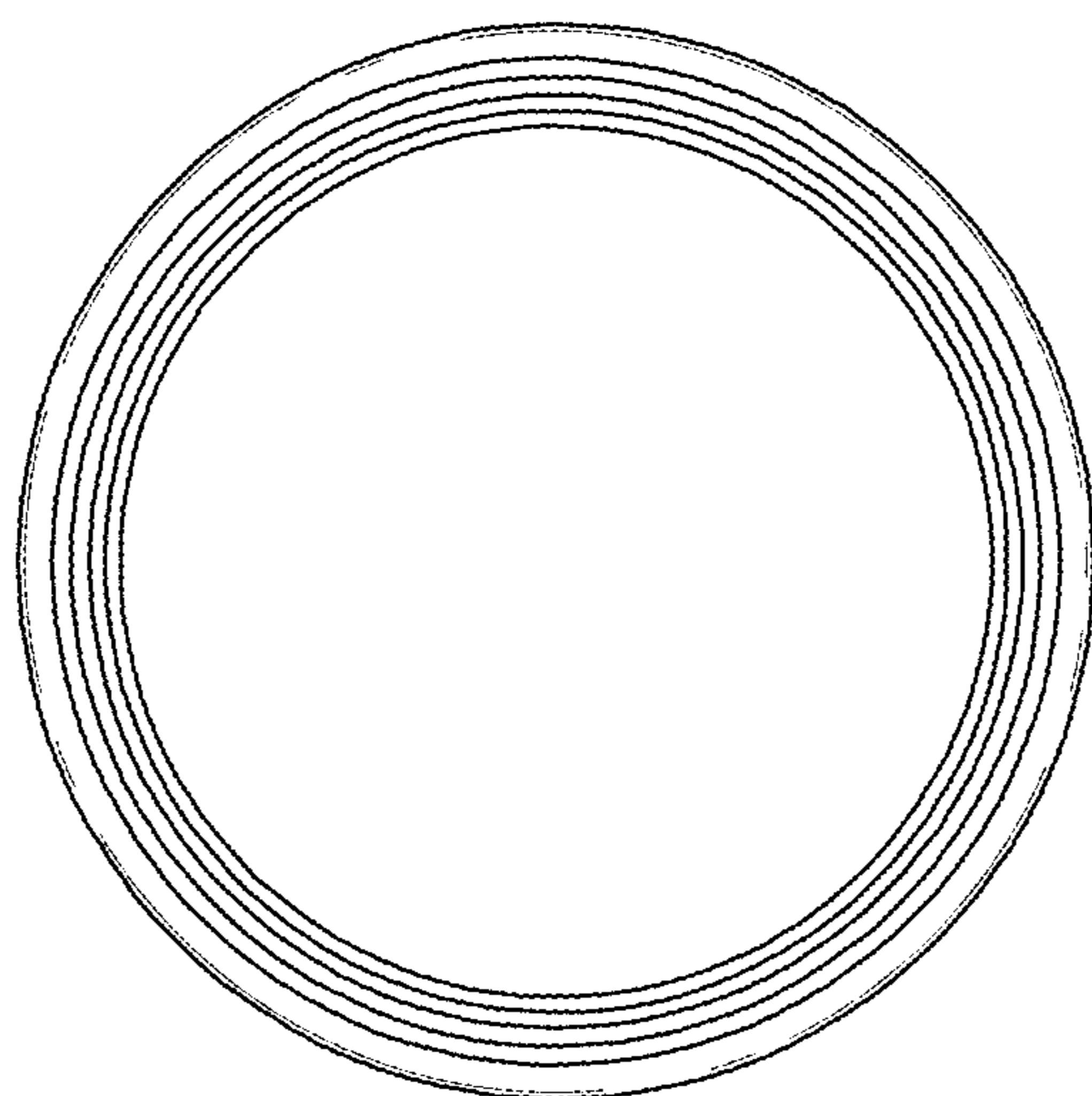


FIG. 8